



US00D958397S

(12) **United States Design Patent** (10) **Patent No.:** **US D958,397 S**  
**Sedic** (45) **Date of Patent:** **\*\* Jul. 19, 2022**

- (54) **PERSONAL MASSAGER**
- (71) Applicant: **LELO inc.**, San Jose, CA (US)
- (72) Inventor: **Filip Sedic**, Stockholm (SE)
- (73) Assignee: **LELO Inc.**, San Jose, CA (US)
- (\*\*) Term: **15 Years**
- (21) Appl. No.: **29/822,490**
- (22) Filed: **Jan. 10, 2022**

D884,914 S *	5/2020	Gao	.....	D24/215
D890,946 S *	7/2020	Lee	.....	D24/215
D897,552 S *	9/2020	Meissner	.....	D24/215
D898,937 S *	10/2020	Haddock	.....	D24/215
D915,616 S *	4/2021	Lee	.....	D24/215
D917,062 S *	4/2021	Lee	.....	D24/215
D920,530 S *	5/2021	Sedic	.....	D24/215

**Related U.S. Application Data**

- (63) Continuation of application No. 29/779,820, filed on Apr. 21, 2021, now Pat. No. Des. 949,428, which is a continuation of application No. 29/706,282, filed on Sep. 19, 2019, now Pat. No. Des. 920,530.
- (51) **LOC (13) Cl.** ..... **28-03**
- (52) **U.S. Cl.**  
USPC ..... **D24/215**
- (58) **Field of Classification Search**  
USPC ..... D24/133, 200, 211, 212, 213, 214, 215;  
D30/160  
CPC ..... A61H 19/44; A61H 19/50; A61H 19/40  
See application file for complete search history.

(56) **References Cited**

**U.S. PATENT DOCUMENTS**

D825,073 S *	8/2018	Lenke	.....	D24/215
D836,792 S *	12/2018	Fühner	.....	D24/215
D850,644 S *	6/2019	Sedic	.....	D24/215
D857,224 S *	8/2019	Fuhner	.....	D24/215
D861,911 S *	10/2019	Fuhner	.....	D24/215
D879,990 S *	3/2020	Qiu	.....	D24/215
D879,992 S *	3/2020	Li	.....	D24/215
D882,109 S *	4/2020	Qiu	.....	D24/215
D884,206 S *	5/2020	Haddock	.....	D24/215

**OTHER PUBLICATIONS**

Amazon, "LELO Enigma", Access date Apr. 27, 2022. [https://www.amazon.com/LELO-Stimulation-Waterproof-Vibrating-8182/dp/B08XNHD6SW/ref=cm\\_cr\\_arp\\_d\\_product\\_top?ie=UTF8](https://www.amazon.com/LELO-Stimulation-Waterproof-Vibrating-8182/dp/B08XNHD6SW/ref=cm_cr_arp_d_product_top?ie=UTF8). (Year: 2022).\*

\* cited by examiner

*Primary Examiner* — Michael A Maharajh  
(74) *Attorney, Agent, or Firm* — Evan Feldstein

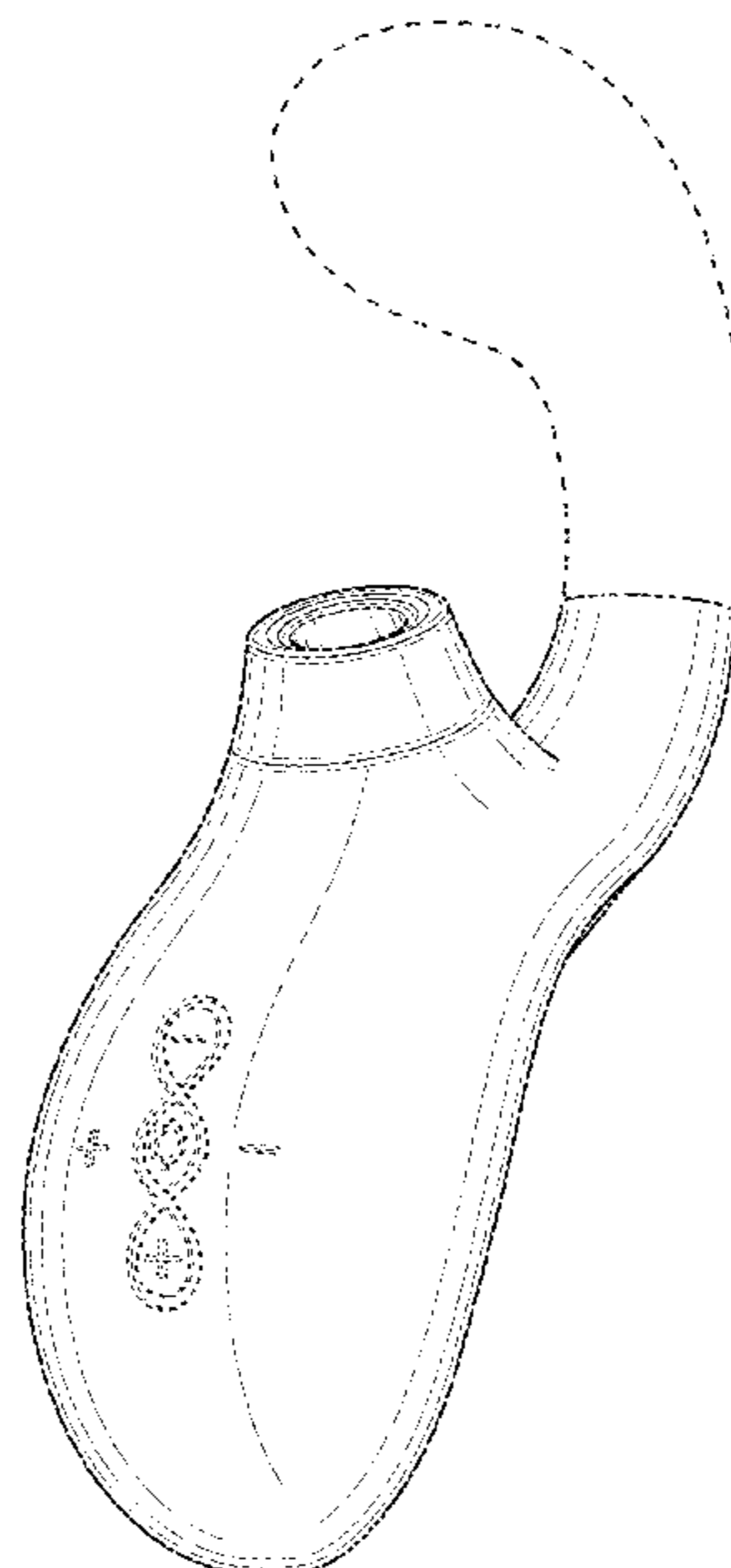
(57) **CLAIM**

I claim the ornamental design for a personal massager, as shown and described.

**DESCRIPTION**

FIG. 1 is a perspective view of a personal massager. FIG. 2 is a left side view of the personal massager. FIG. 3 is a right side view of the personal massager. FIG. 4 is a rear view of the personal massager. FIG. 5 is a from view of the personal massager. FIG. 6 is a bottom view of the personal massager; and, FIG. 7 is a top view of the personal massager. The dash dot broken lines shown in the drawings are for the purpose of illustrating a boundary line, which form no part of the claimed design. The broken lines in the drawings are for the purpose of illustrating portions of the personal massager, which form no part of the claimed design.

**1 Claim, 7 Drawing Sheets**



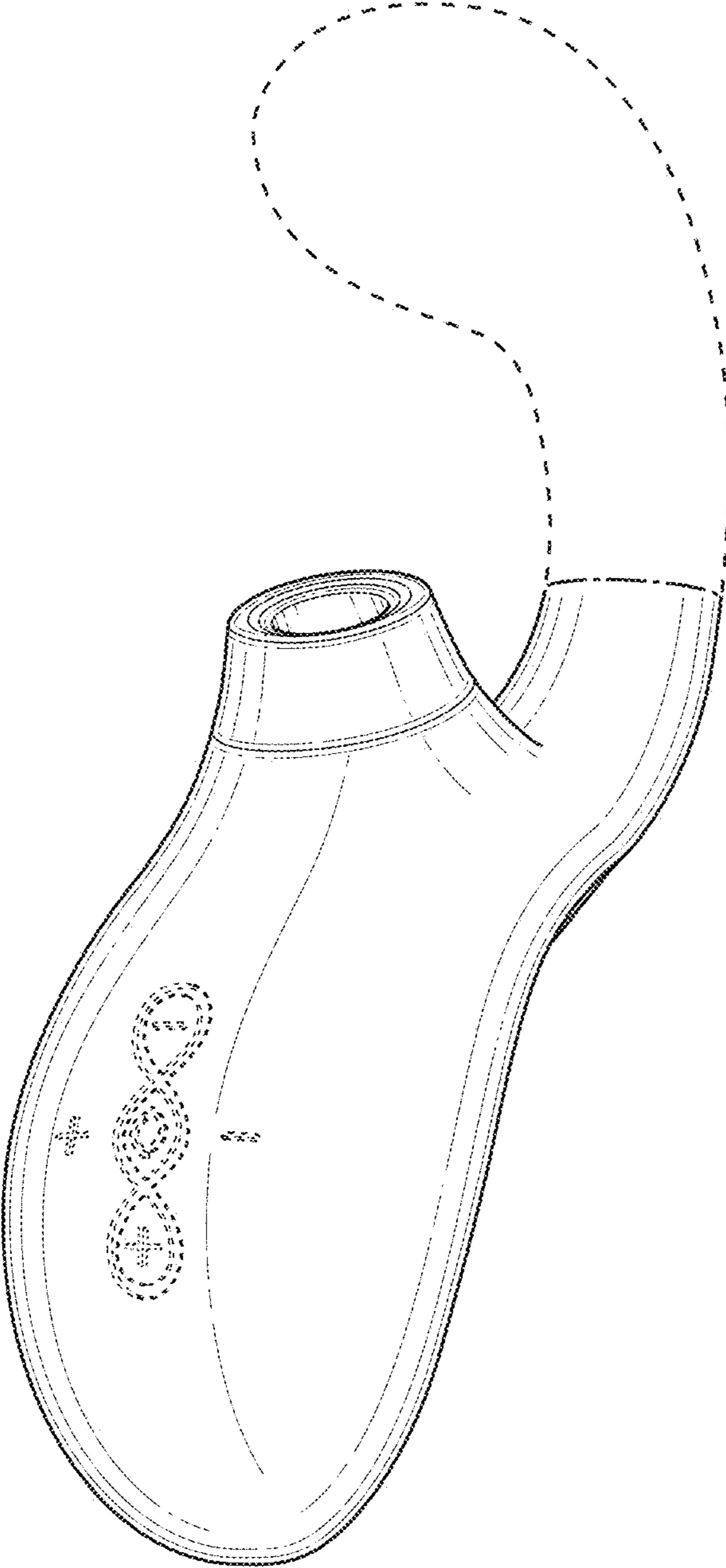
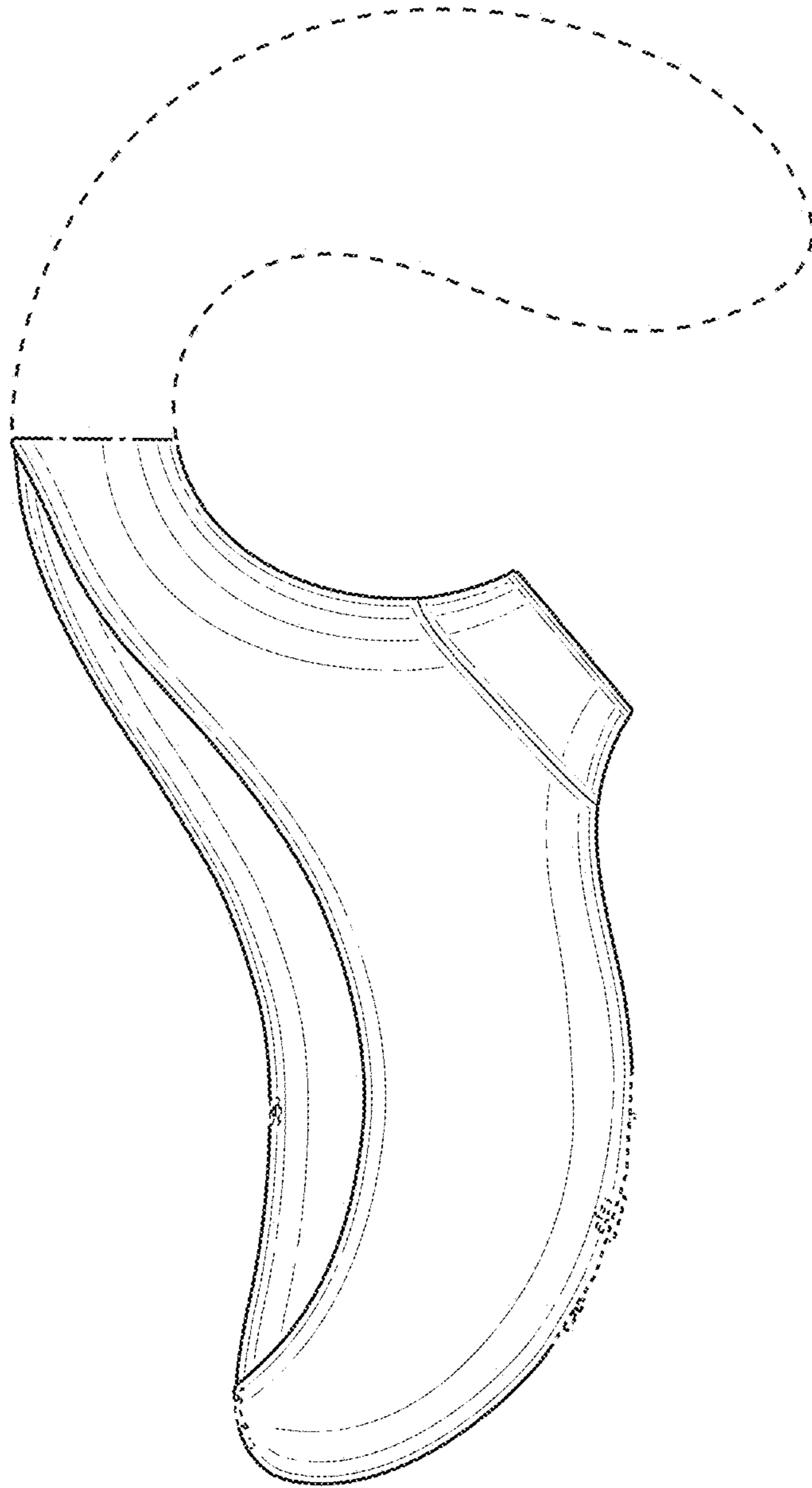
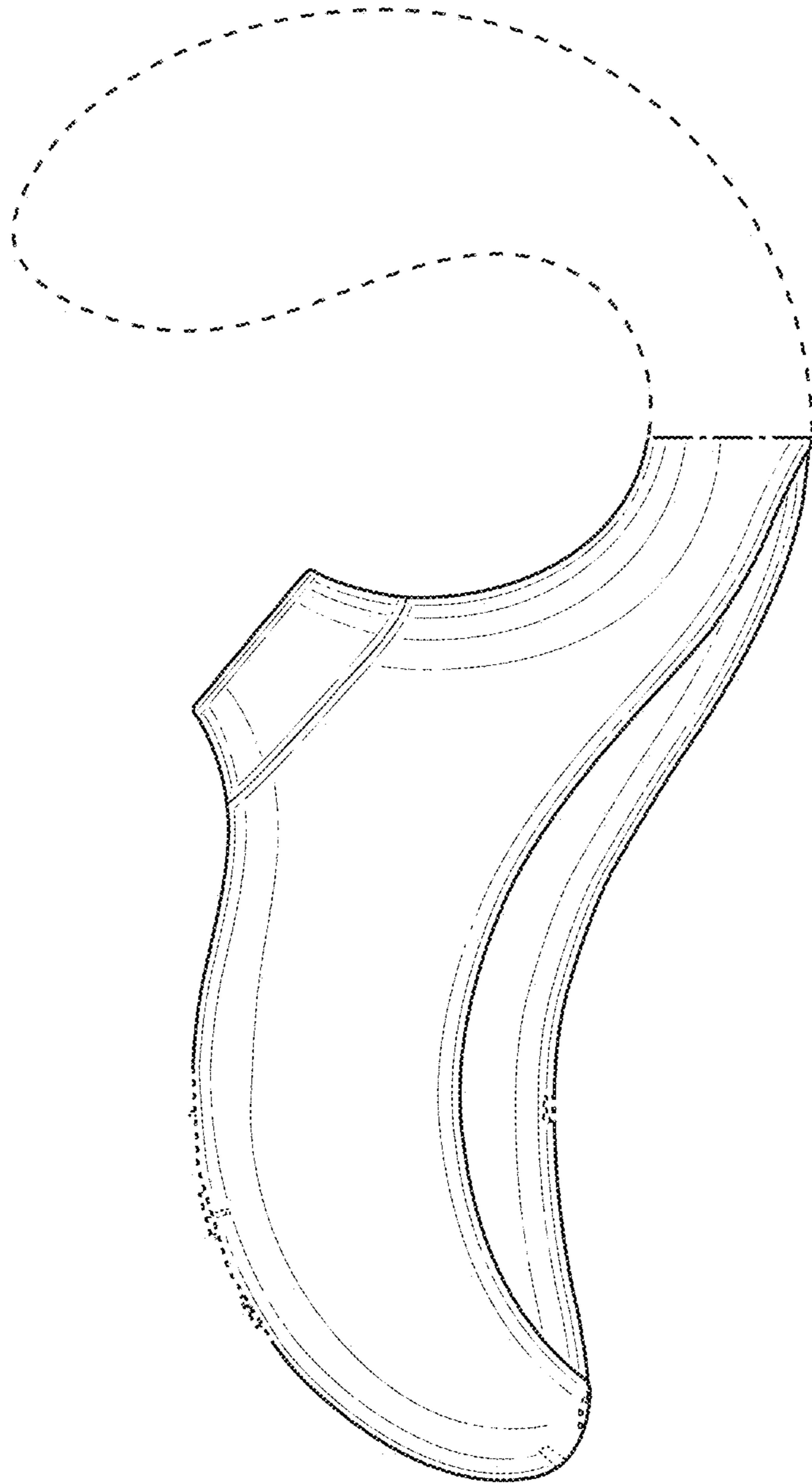


FIG. 1



**FIG. 2**



**FIG. 3**

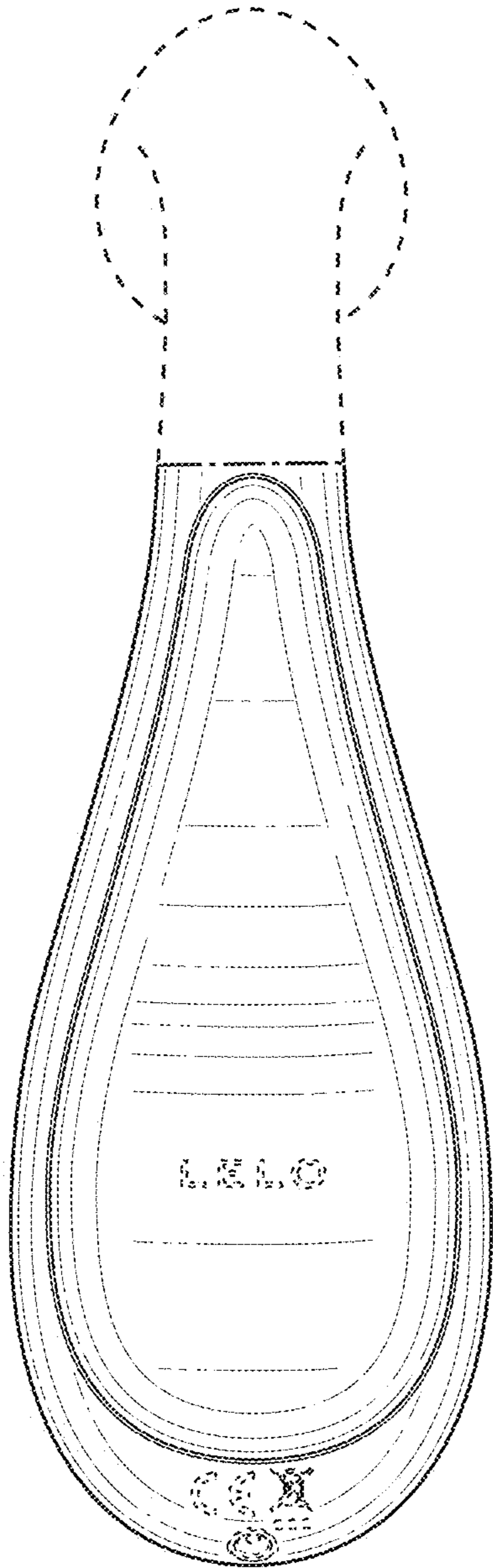


FIG. 4

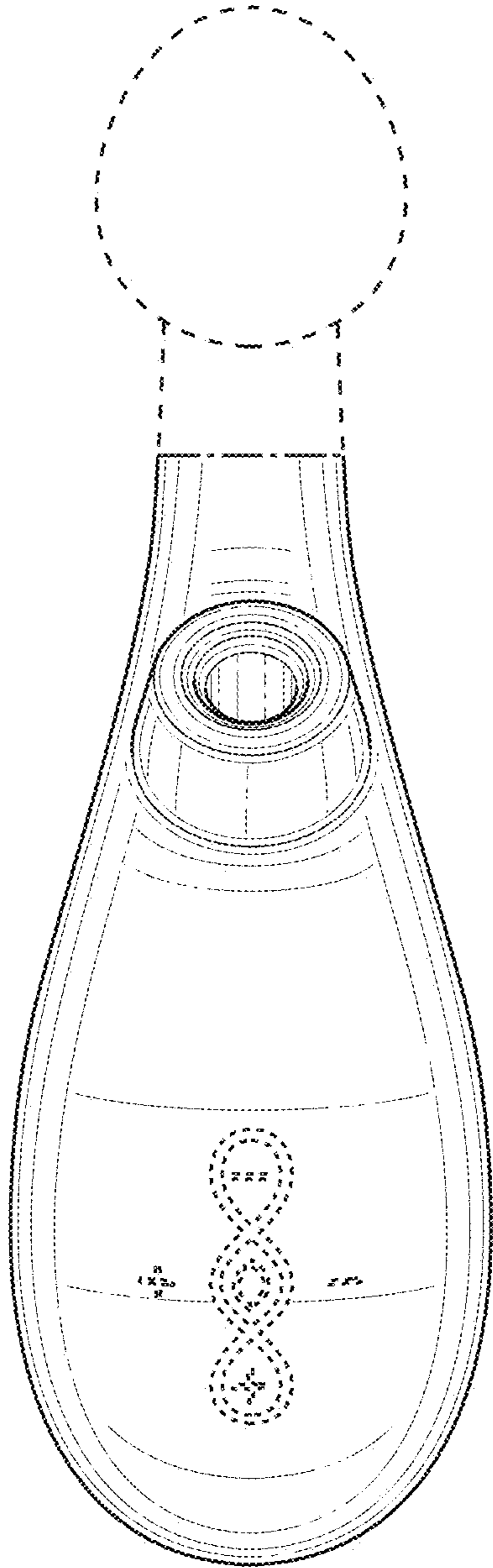


FIG. 5

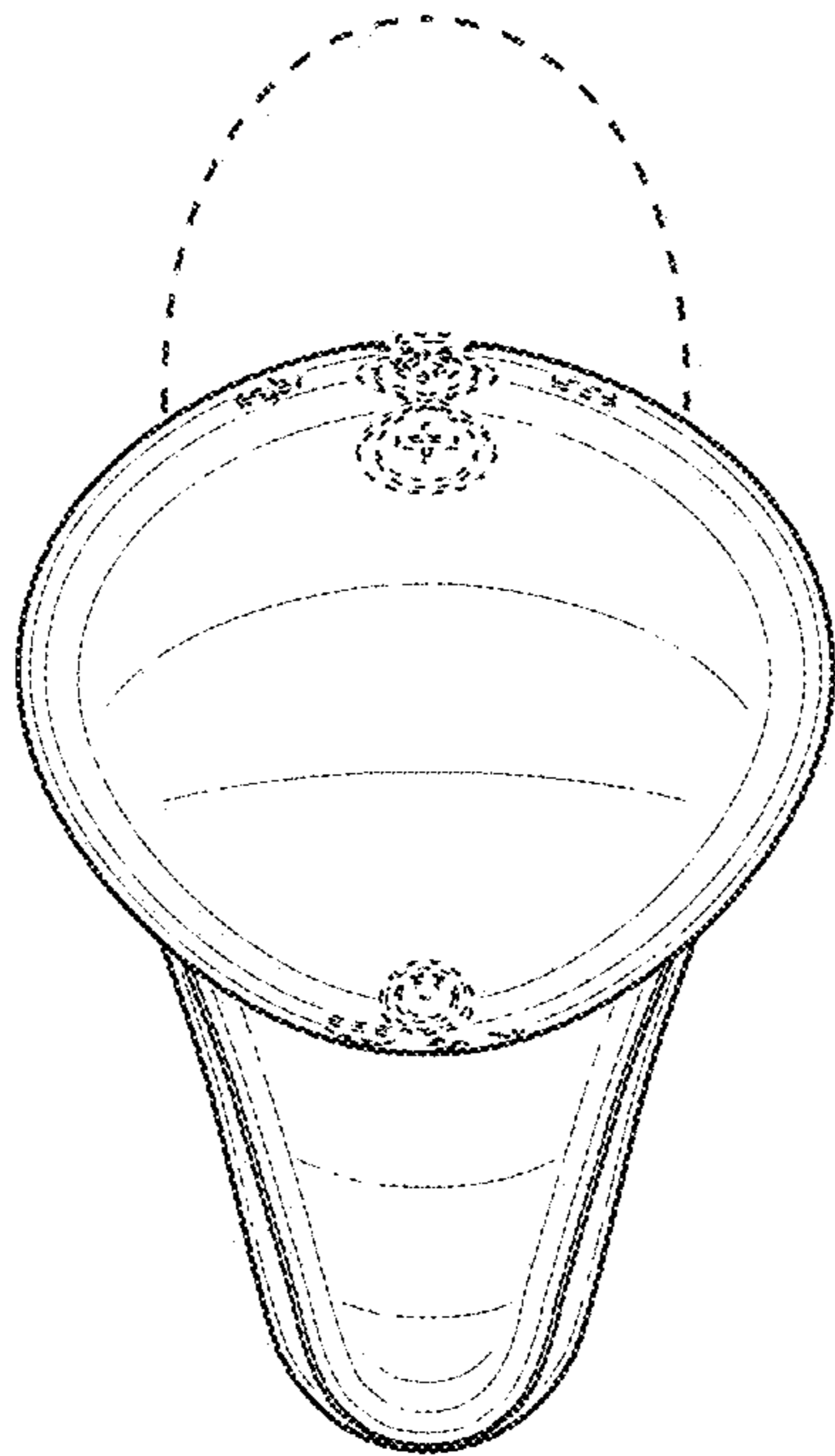
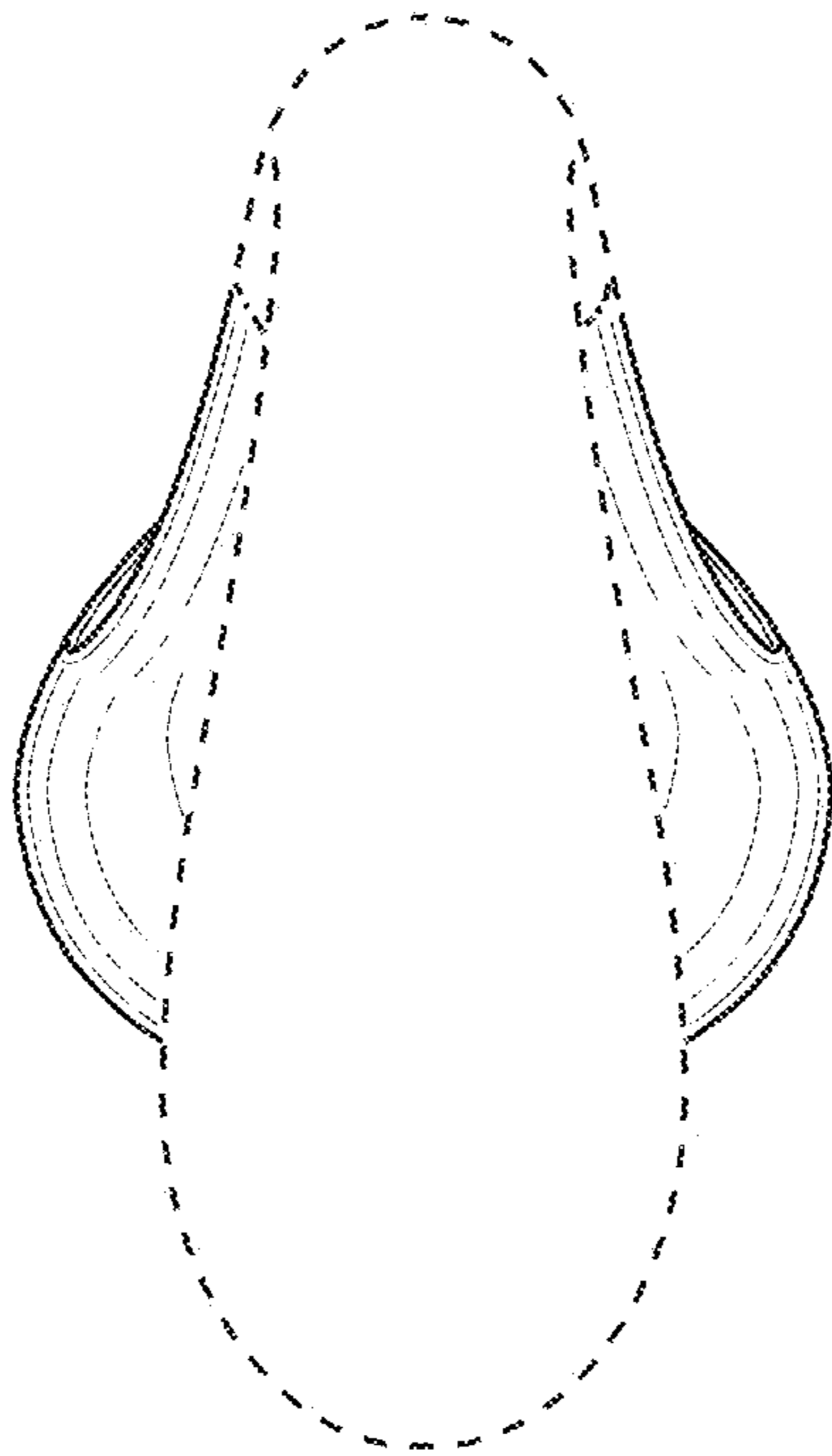


FIG. 6



**FIG. 7**