



US00D958396S

(12) **United States Design Patent** (10) **Patent No.:** **US D958,396 S**
Sedic (45) **Date of Patent:** **** Jul. 19, 2022**

- (54) **STIMULATION DEVICE**
- (71) Applicant: **LELO Inc.**, San Jose, CA (US)
- (72) Inventor: **Filip Sedic**, Stockholm (SE)
- (73) Assignee: **LELO Inc.**, San Jose, CA (US)
- (**) Term: **15 Years**
- (21) Appl. No.: **29/813,601**
- (22) Filed: **Oct. 29, 2021**

D902,426 S *	11/2020	Cornaro	D24/215
D915,616 S *	4/2021	Lee	D24/215
D917,062 S *	4/2021	Lee	D24/215
D949,387 S *	4/2022	Sedic	D24/215

Related U.S. Application Data

- (63) Continuation of application No. 29/726,940, filed on Mar. 6, 2020, now Pat. No. Des. 949,387.
- (51) **LOC (13) Cl.** **28-03**
- (52) **U.S. Cl.**
USPC **D24/215**
- (58) **Field of Classification Search**
USPC D24/133, 200, 211, 212, 213, 214, 215;
D30/160
CPC A61H 19/44; A61H 19/50; A61H 19/40
See application file for complete search history.

References Cited

U.S. PATENT DOCUMENTS

D648,861 S *	11/2011	Chong	D24/215
D715,954 S *	10/2014	Sedic	A61H 23/004
				D24/215
D850,644 S *	6/2019	Sedic	D24/215
D879,990 S *	3/2020	Qiu	D24/215
D882,109 S *	4/2020	Qiu	D24/215
D884,206 S *	5/2020	Haddock	D24/215
D898,937 S *	10/2020	Haddock	D24/215

OTHER PUBLICATIONS

Amazon, "Lelo Sila Sonic Massager", Date First Available Oct. 1, 2020. <https://www.amazon.com/LELO-Massager-Waterproof-Stimulation-Vibrating/dp/B08LBPXWYV?th=1>. (Year: 2020).*

* cited by examiner

Primary Examiner — Michael A Maharajh

(74) *Attorney, Agent, or Firm* — Evan Feldstein

(57) **CLAIM**

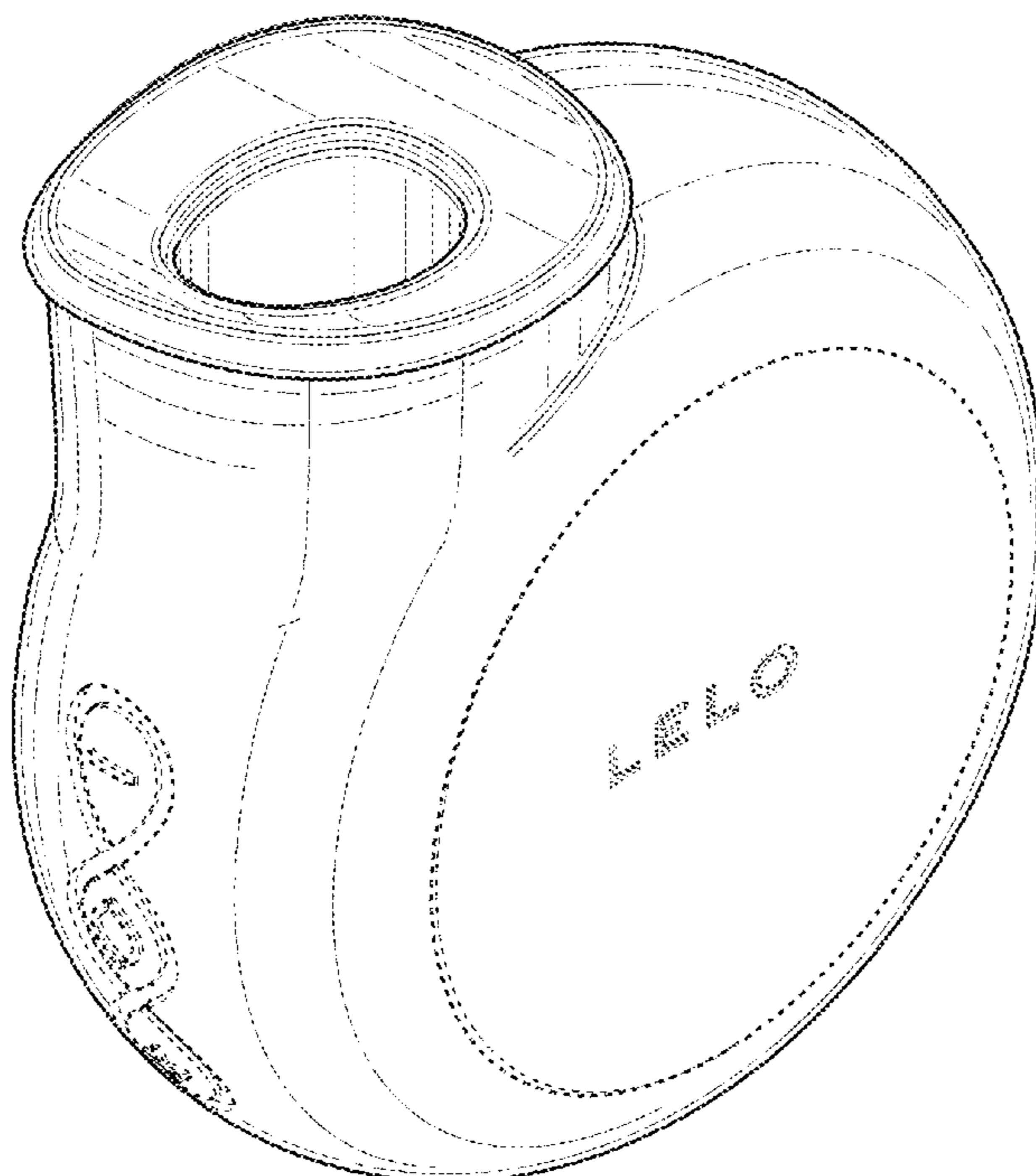
I claim the ornamental design for a stimulation device, as shown and described.

DESCRIPTION

FIG. 1 is a perspective view of a stimulation device, showing my new design.
FIG. 2 is a rear of the stimulation device.
FIG. 3 is a front view of the stimulation device.
FIG. 4 is a right side view of the stimulation device.
FIG. 5 is a left side view of the stimulation device.
FIG. 6 is a bottom view of the stimulation device; and,
FIG. 7 is a top view of the stimulation device.

The logo and control buttons shown in broken lines are for the purpose of illustrating environmental structure, which form no part of the claimed design. The remaining broken lines are for the purpose of illustrating portions of the stimulation device, which form no part of the claimed design.

1 Claim, 4 Drawing Sheets



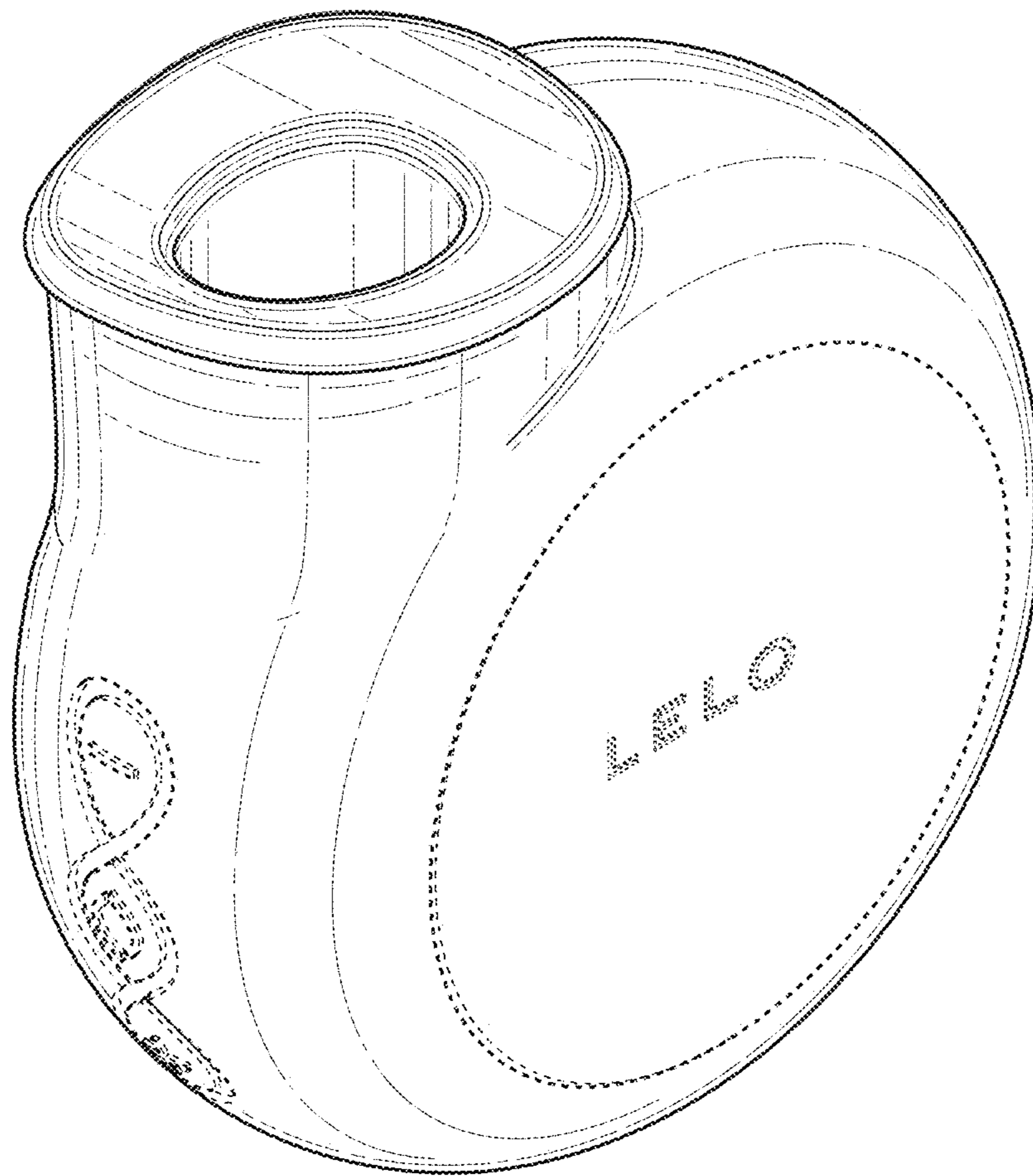


FIG. 1

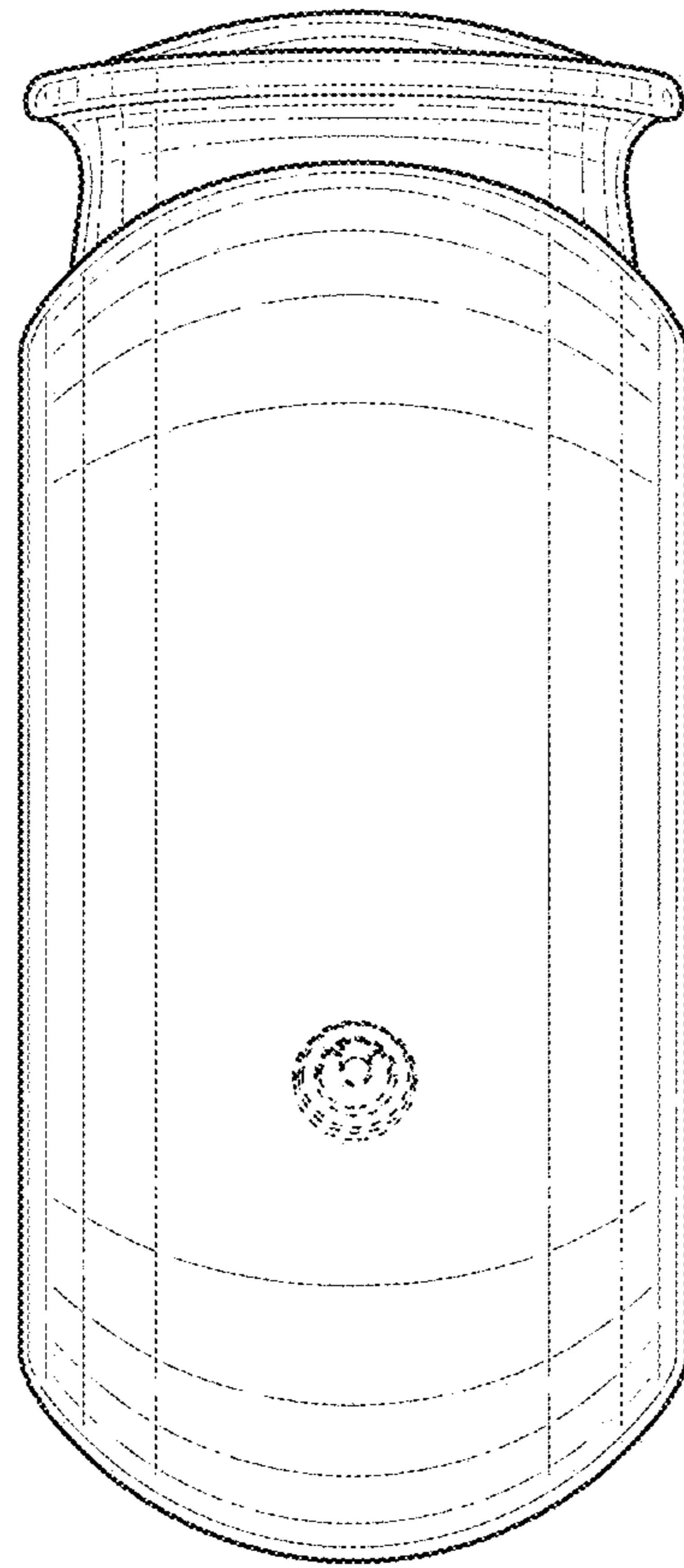


FIG. 2

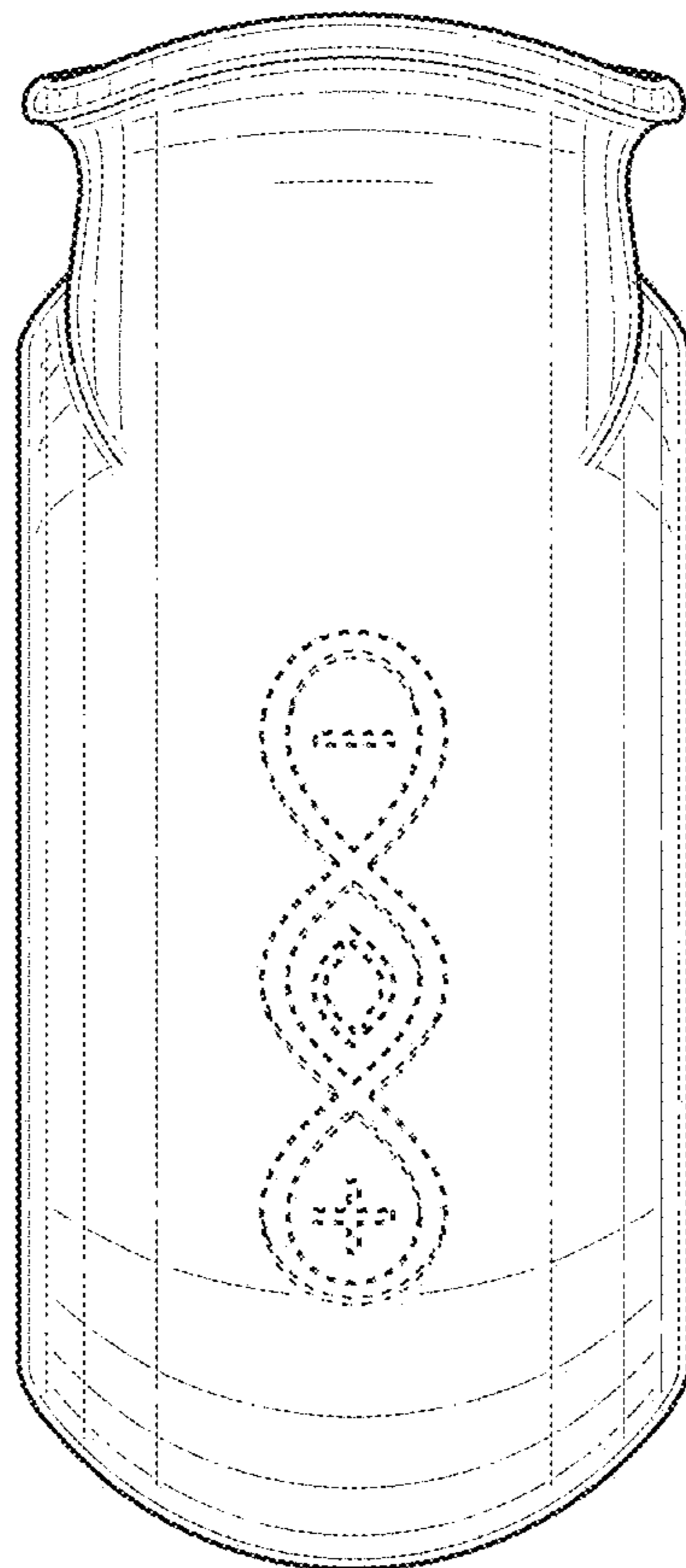


FIG. 3

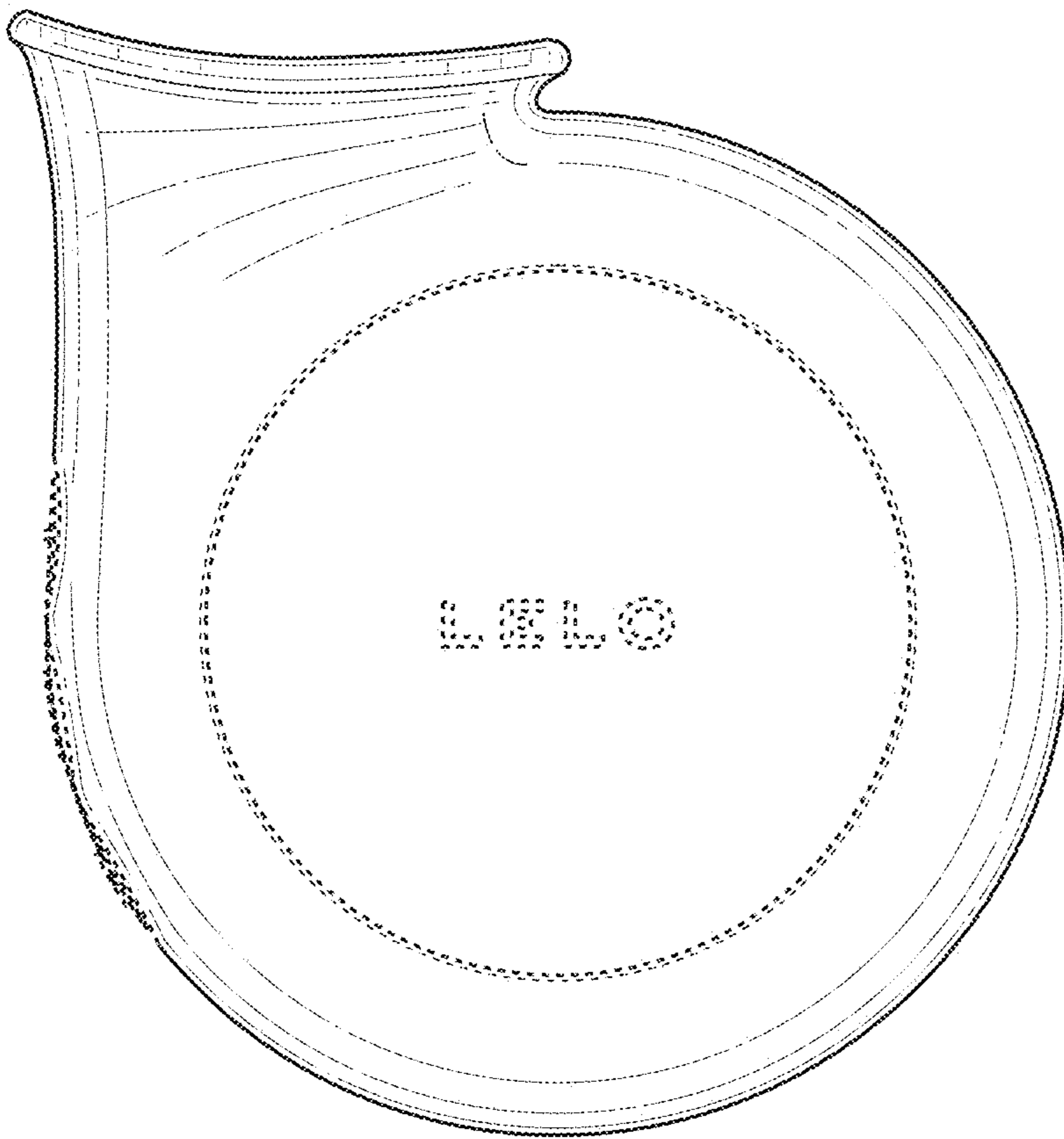


FIG. 4

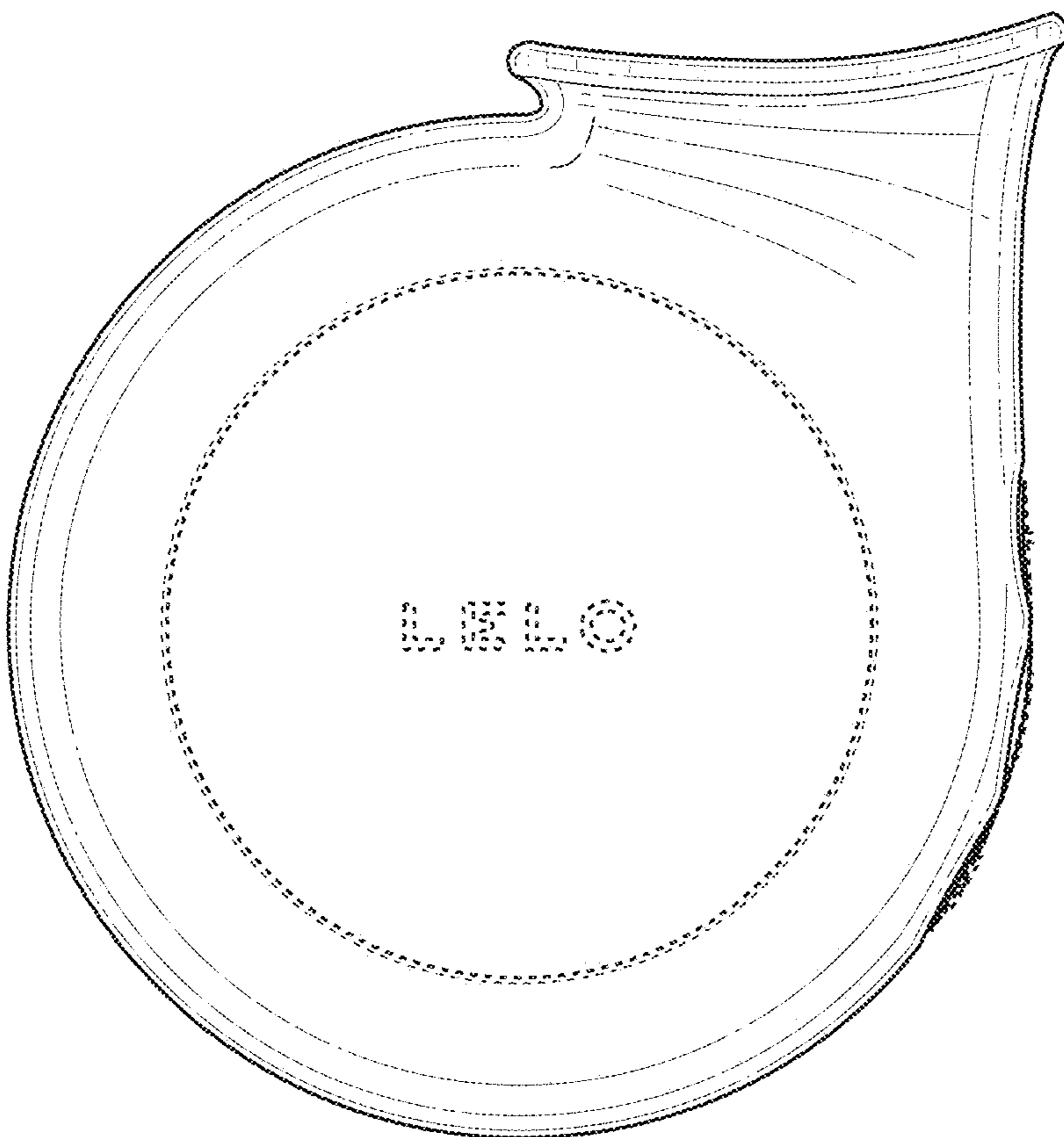


FIG. 5

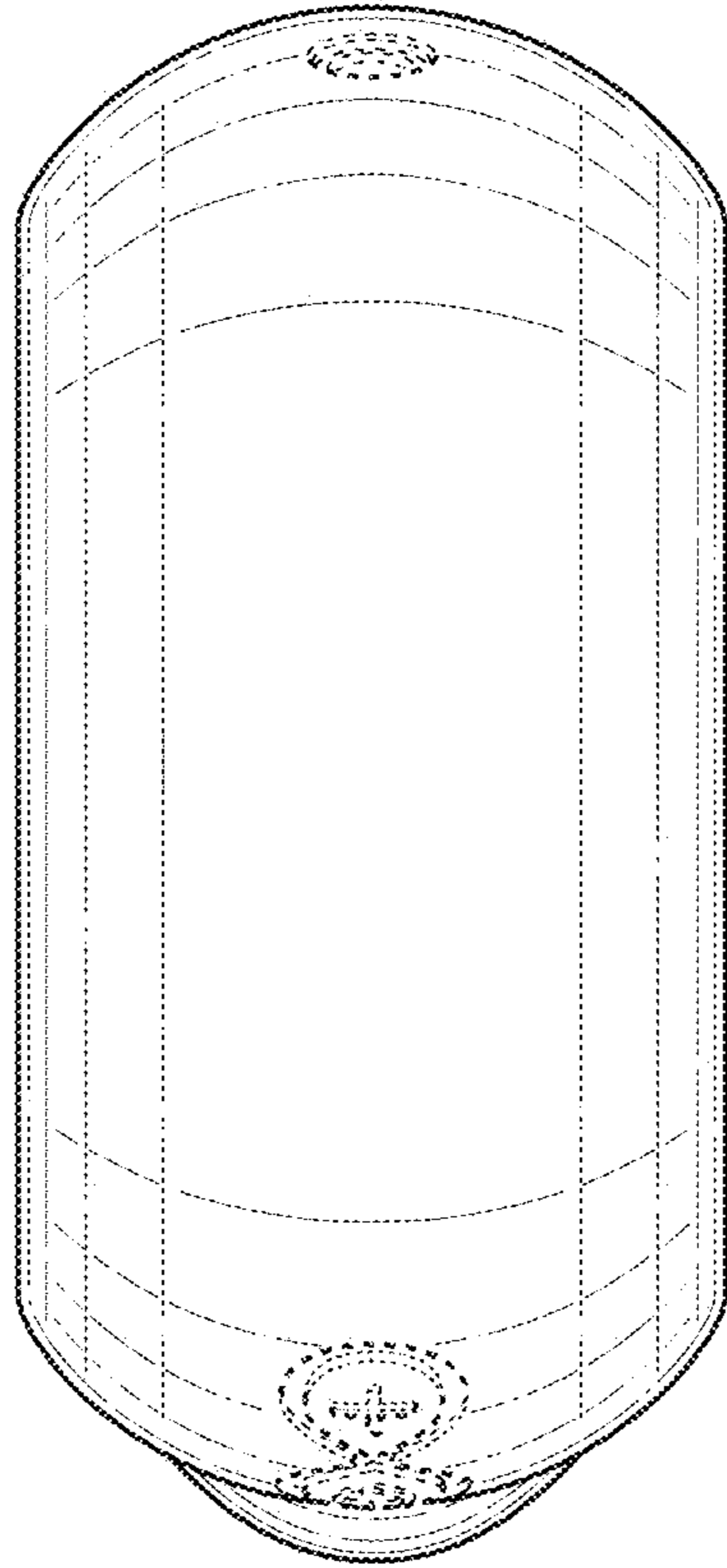


FIG. 6

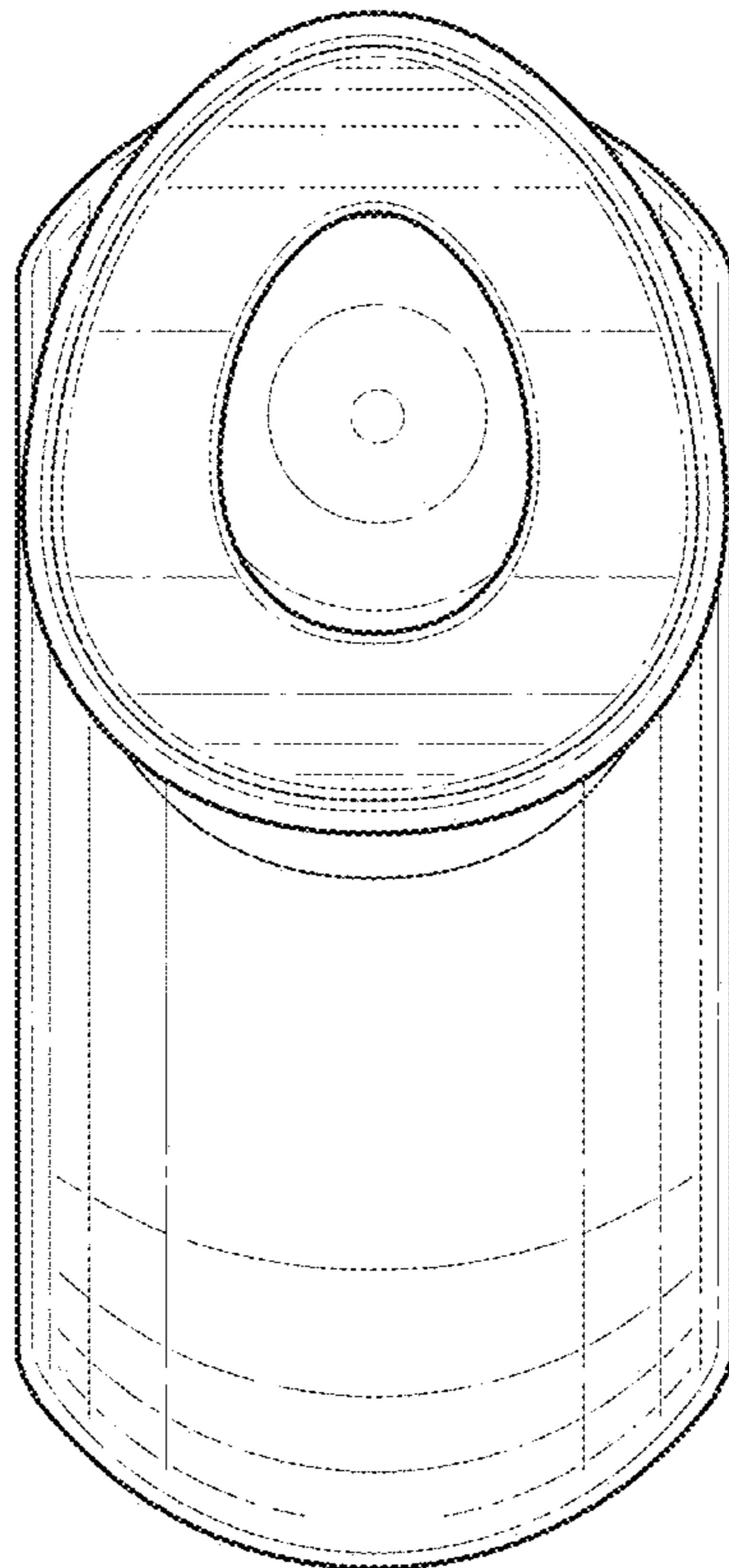


FIG. 7