



US00D958392S

(12) **United States Design Patent**
Meng

(10) **Patent No.:** **US D958,392 S**

(45) **Date of Patent:** **** Jul. 19, 2022**

(54) **MESSAGE GUN**

(71) Applicant: **Shusheng Meng**, Guangxi Province
(CN)

(72) Inventor: **Shusheng Meng**, Guangxi Province
(CN)

(73) Assignee: **Dongguan Super Electric Technology Co., Ltd.**, Guangdong (CN)

(**) Term: **15 Years**

(21) Appl. No.: **29/782,826**

(22) Filed: **May 10, 2021**

(30) **Foreign Application Priority Data**

Mar. 22, 2021 (CN) 202130153010.X

(51) **LOC (13) Cl.** **28-03**

(52) **U.S. Cl.**
USPC **D24/215**

(58) **Field of Classification Search**
USPC D24/215, 200, 211, 212, 213, 214, 133,
D24/107, 231, 184; D8/14.1, 61;
D28/12, 13

CPC A61H 15/00; A61H 2015/0007; A61H
2015/0042; A61H 15/0092; A61H 23/00;
A61H 23/006; A61H 2023/002; A61H
23/06; A61H 23/02; A61H 2201/0153;
A61H 2201/0157; A61H 7/005; A61H
7/003; A61H 1/00; A61H 1/008

See application file for complete search history.

(56) **References Cited**

U.S. PATENT DOCUMENTS

D469,574 S * 1/2003 Lai D28/13
D855,822 S * 8/2019 Marton D24/215
D875,961 S * 2/2020 Li D24/211
D893,738 S 8/2020 Zhuang
D895,831 S * 9/2020 Chen D24/215

D898,933 S 10/2020 Xu
D907,229 S * 1/2021 Zhang D24/215
D907,230 S * 1/2021 Zhang D24/215
D908,908 S * 1/2021 Xu D24/215
D910,194 S 2/2021 Radtke
D912,267 S * 3/2021 Tang D24/215
D913,517 S * 3/2021 Yu D24/215
D916,307 S 4/2021 Xiong
D917,060 S 4/2021 Hu

(Continued)

OTHER PUBLICATIONS

Toloco—Massage Gun. Date: Jan. 7, 2020. [online], [Site visited
Jan. 14, 2022], Available from Internet URL: <https://www.amazon.com/dp/B083L8RNJR/> (Year: 2020).*

(Continued)

Primary Examiner — Susan Bennett Hattan
Assistant Examiner — Landon Thomas Cassell

(57) **CLAIM**

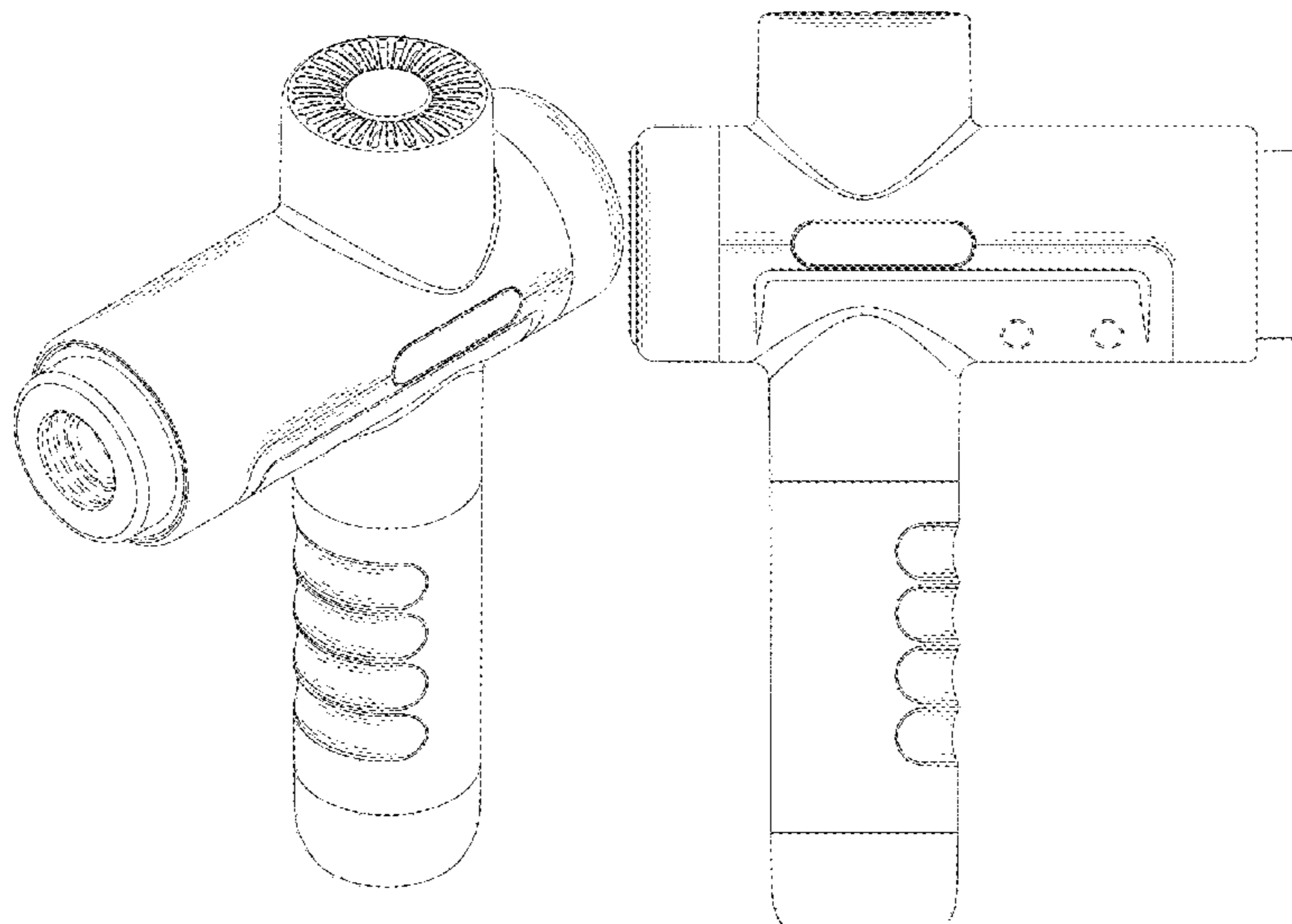
The ornamental design for a massage gun, as shown and described.

DESCRIPTION

FIG. 1 is a perspective view of a massage gun showing my new design;
FIG. 2 is a front elevational view thereof;
FIG. 3 is a top plan view thereof;
FIG. 4 is a left side elevational view thereof;
FIG. 5 is a rear elevational view thereof;
FIG. 6 is a right side view thereof; and,
FIG. 7 is a bottom plan view thereof.

The broken lines that are immediately adjacent to the shaded areas and define unshaded regions depict the bounds of the claimed design. The broken lines that are shown within the broken line boundaries indicate portions of the article that form no part of the claim. The broken lines themselves form no part of the claimed design.

1 Claim, 7 Drawing Sheets



(56)

References Cited

U.S. PATENT DOCUMENTS

D923,194 S * 6/2021 Xu D24/215
D932,039 S * 9/2021 Yu D24/215
D933,250 S * 10/2021 Shen D24/211
D934,441 S * 10/2021 Zhang D24/215
D935,637 S * 11/2021 Li D24/215
D939,103 S * 12/2021 Xu D24/215
2002/0016990 A1 * 2/2002 Ferber A61H 35/006
4/622

OTHER PUBLICATIONS

Bodybay—Personal Percussion Massage Gun. Date: Oct. 12, 2019. [online], [Site visited Jan. 24, 2022]. Available from Internet URL: <https://www.amazon.ca/dp/B07XHKXC82/> (Year: 2019).*

Wssbond—Massage Gun Deep Tissue. Date: Dec. 22, 2020. [online], [Site visited Jan. 24, 2022]. Available from Internet URL: <https://www.amazon.co.uk/dp/B08R5TWH1F/?th=1> (Year: 2020).*

Massagers. / (Design—© Questel) orbit.com. [Online PDF compilation of references] 16 pgs. Print Dates Range Sep. 25, 2020-Sep. 8, 2021 [Retrieved Jan. 24, 2022] <https://www.orbit.com/export/UCZAH96B/pdf4/b2d27c87-018f-4ca5-890c-8bde07e42d1a-224039.pdf> (Year: 2022).*

* cited by examiner

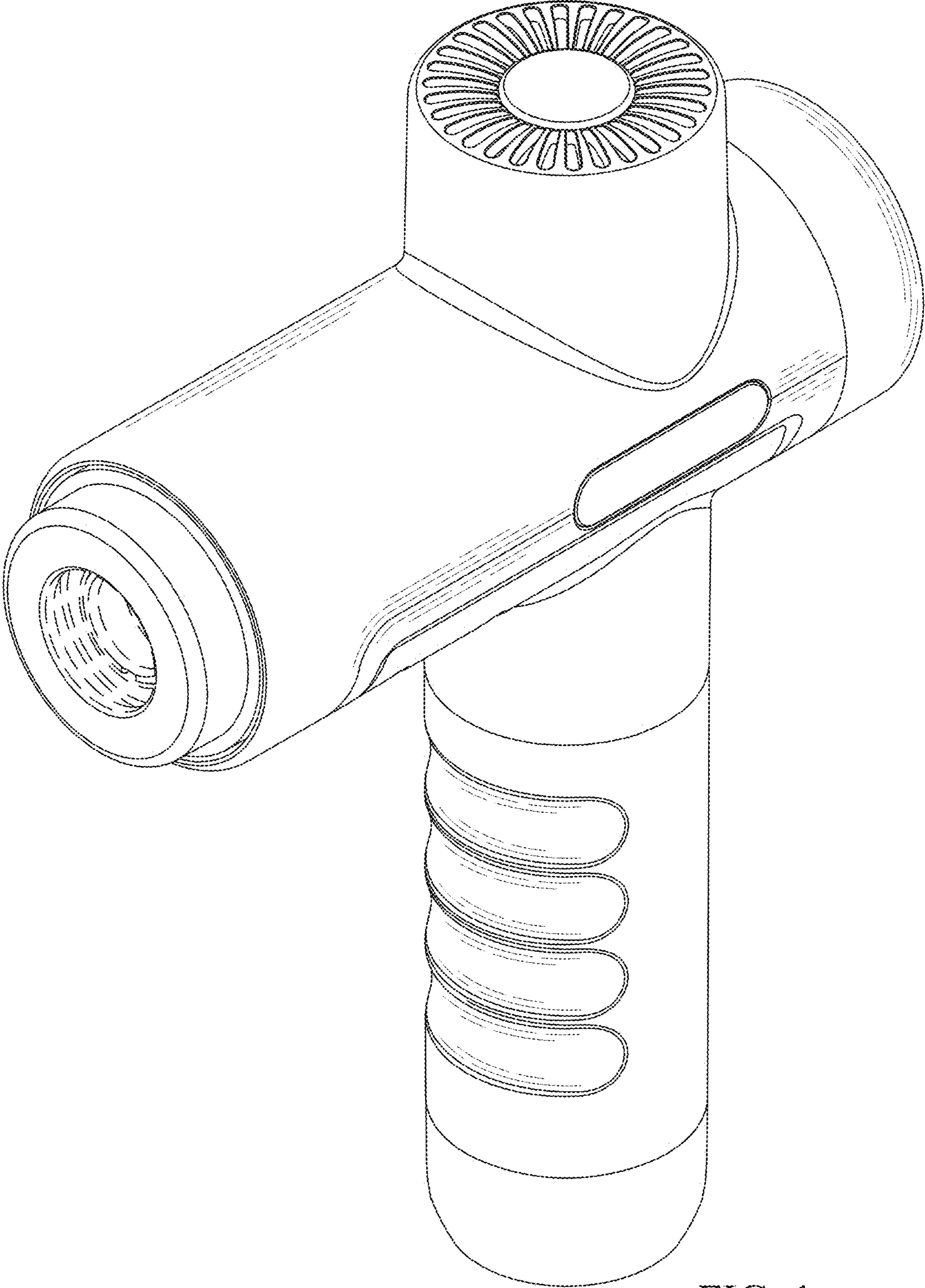


FIG. 1

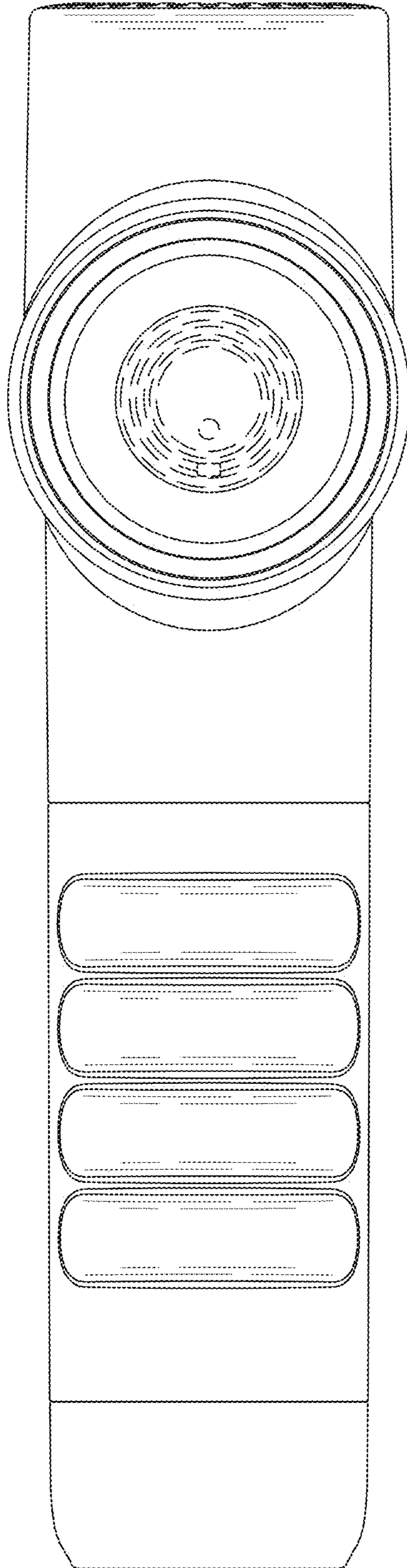


FIG. 2

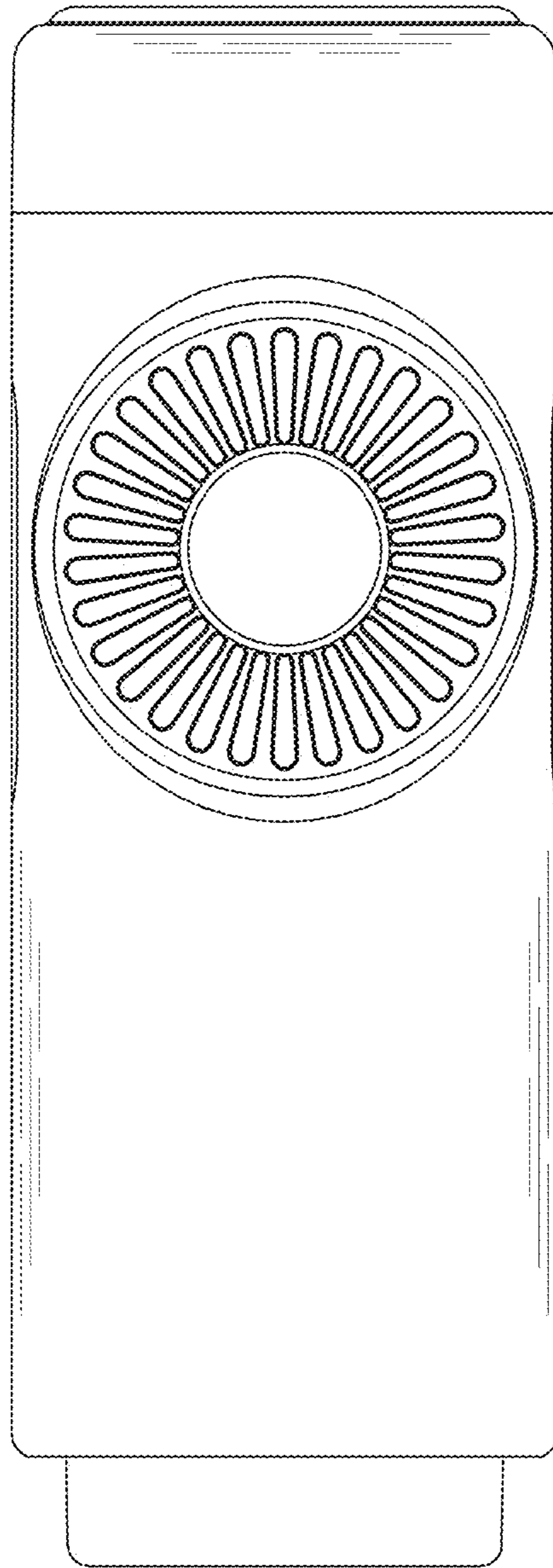


FIG. 3

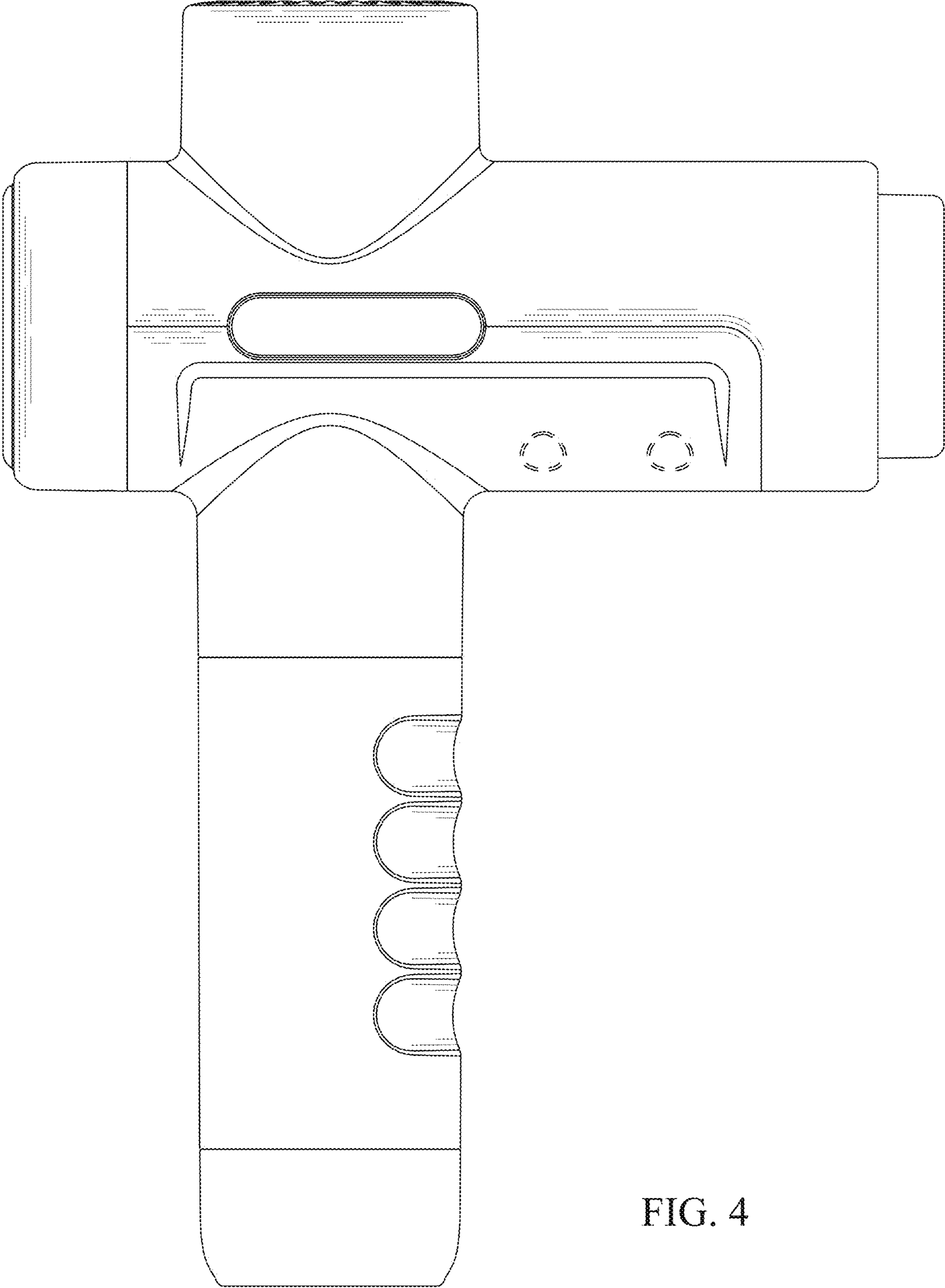


FIG. 4

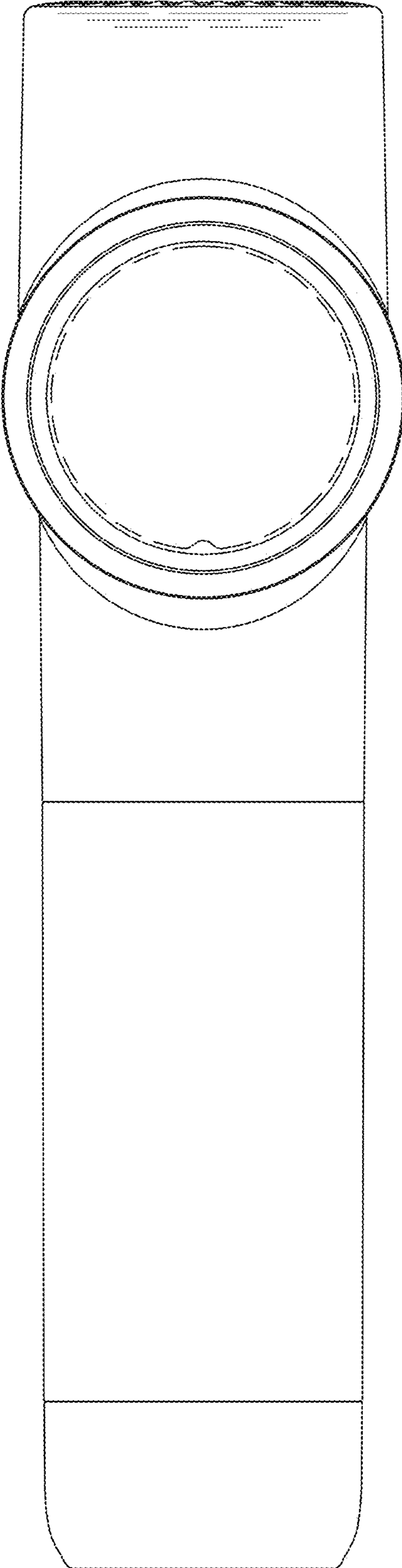


FIG. 5

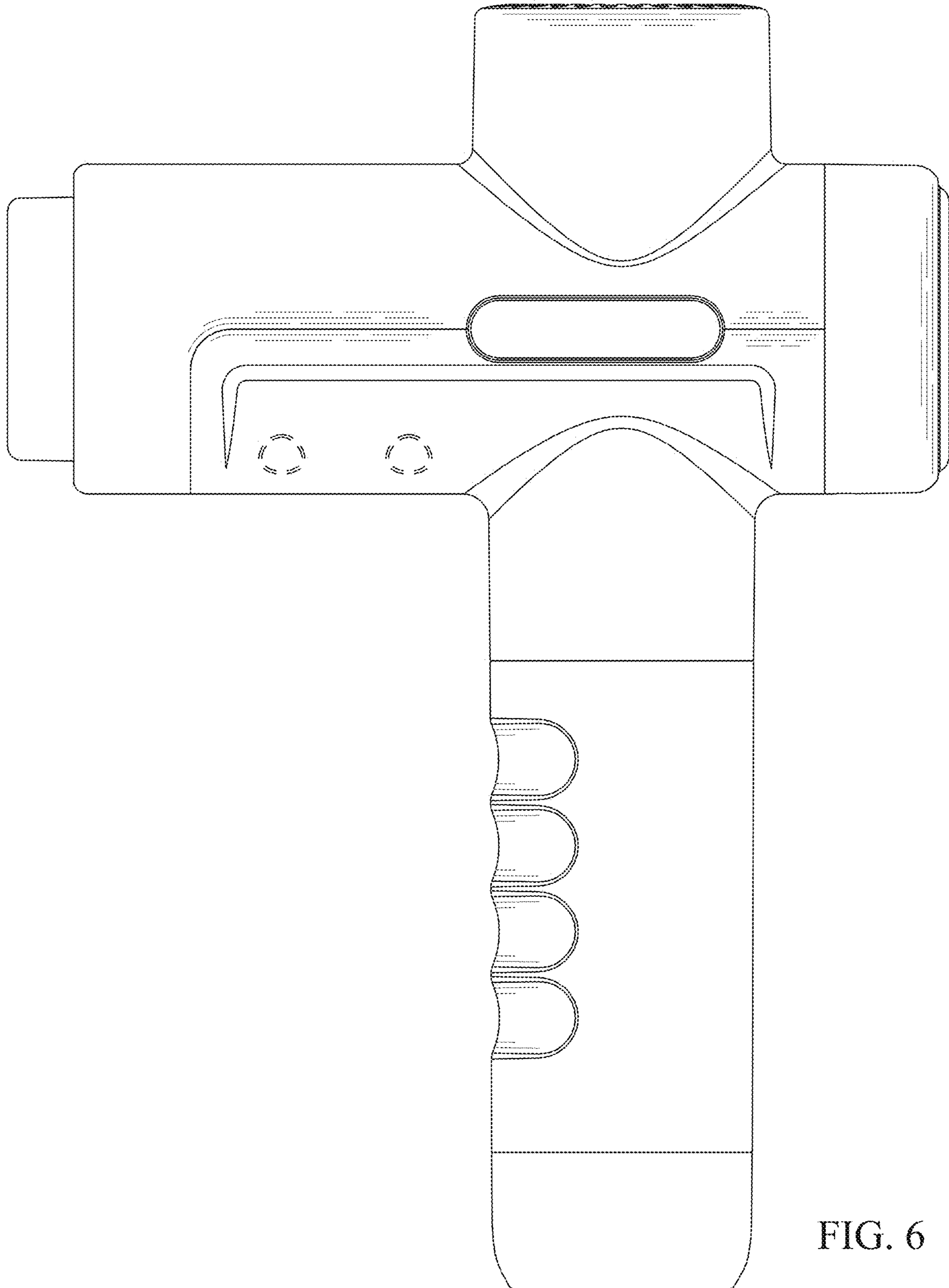


FIG. 6

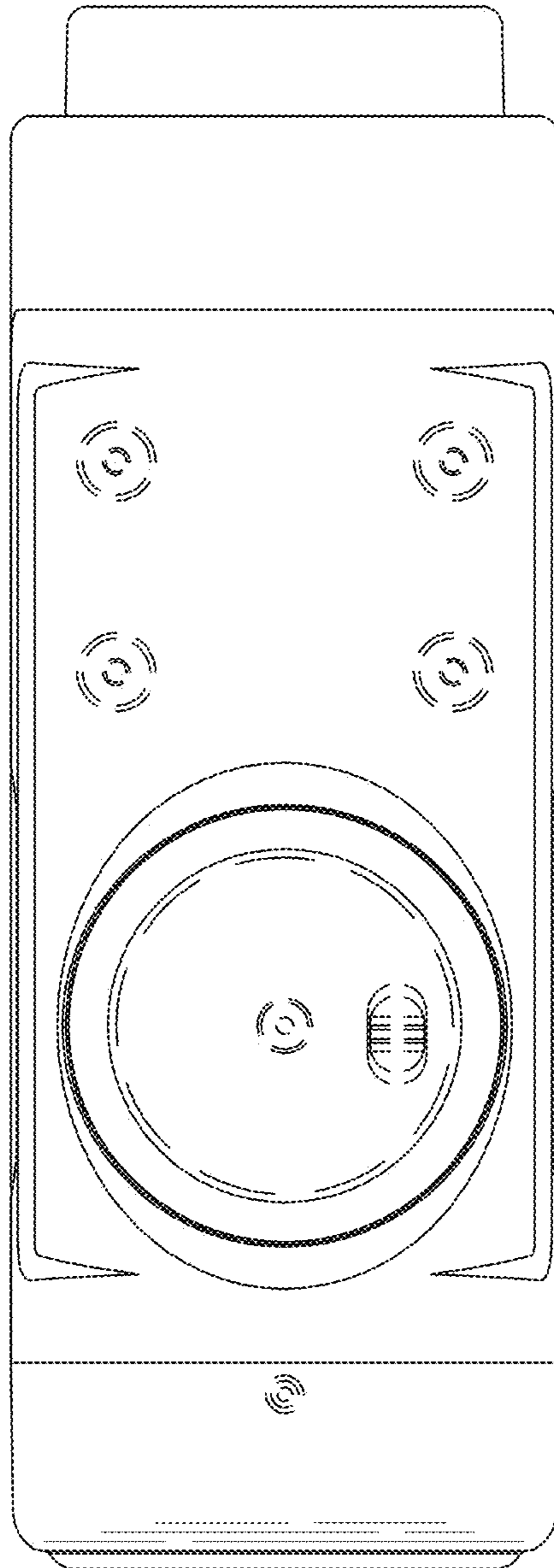


FIG. 7