



US00D958391S

(12) **United States Design Patent** (10) **Patent No.:** **US D958,391 S**
Sedic (45) **Date of Patent:** **** Jul. 19, 2022**

(54) **PERSONAL MESSAGE APPARATUS FOR MEN**

(71) Applicant: **Filip Sedic**, Shanghai (CN)

(72) Inventor: **Filip Sedic**, Shanghai (CN)

(73) Assignee: **LELO Inc.**, San Jose, CA (US)

(**) Term: **15 Years**

(21) Appl. No.: **29/779,818**

(22) Filed: **Apr. 21, 2021**

Related U.S. Application Data

(63) Continuation of application No. 29/710,556, filed on Oct. 24, 2019, now Pat. No. Des. 918,409, which is a continuation of application No. 29/659,457, filed on Aug. 9, 2018, now Pat. No. Des. 880,713.

(51) **LOC (13) Cl.** **28-03**

(52) **U.S. Cl.**
USPC **D24/215**

(58) **Field of Classification Search**
USPC D24/133, 186, 211, 212, 213, 214, 215;
D12/178; D23/266; D9/418
CPC .. A61H 19/00; A61B 10/0058; A61B 5/4375;
A61B 5/4393; A61F 5/41
See application file for complete search history.

(56) **References Cited**

U.S. PATENT DOCUMENTS

D315,095 S * 3/1991 Wright D9/503
6,368,268 B1 4/2002 Sandvick et al.
D526,190 S * 8/2006 Bolt D9/418
D527,252 S * 8/2006 Bolt D9/418
D559,395 S * 1/2008 Matsuura D24/216
9,138,372 B2 9/2015 Rueda
D782,036 S * 3/2017 Cai D24/121
D823,462 S * 7/2018 Okamura D24/121

D879,988 S * 3/2020 Zhou D24/215
D880,713 S * 4/2020 Sedic D24/215
D886,318 S * 6/2020 Tsuyama D9/428
D893,040 S * 8/2020 Qiu D24/215
D895,134 S * 9/2020 Qiu D24/215
D897,551 S * 9/2020 Nasta D24/211
D918,409 S * 5/2021 Sedic D24/215
D932,645 S * 10/2021 Wu D24/215
2003/0171647 A1 9/2003 Garland
2006/0264856 A1 11/2006 Wong

(Continued)

OTHER PUBLICATIONS

Amazon, "LELO Male Massager", May 4, 2021. https://www.amazon.com/LELO-Pleasure-Waterproof-Open-Interface-Vibrating/dp/B093ZWPVCV?ref_ast_sto_dp&th=1&pvc=1. Shown on p. 1. (Year: 2021).*

(Continued)

Primary Examiner — Michael A Maharajh

(74) *Attorney, Agent, or Firm* — Evan Feldstein

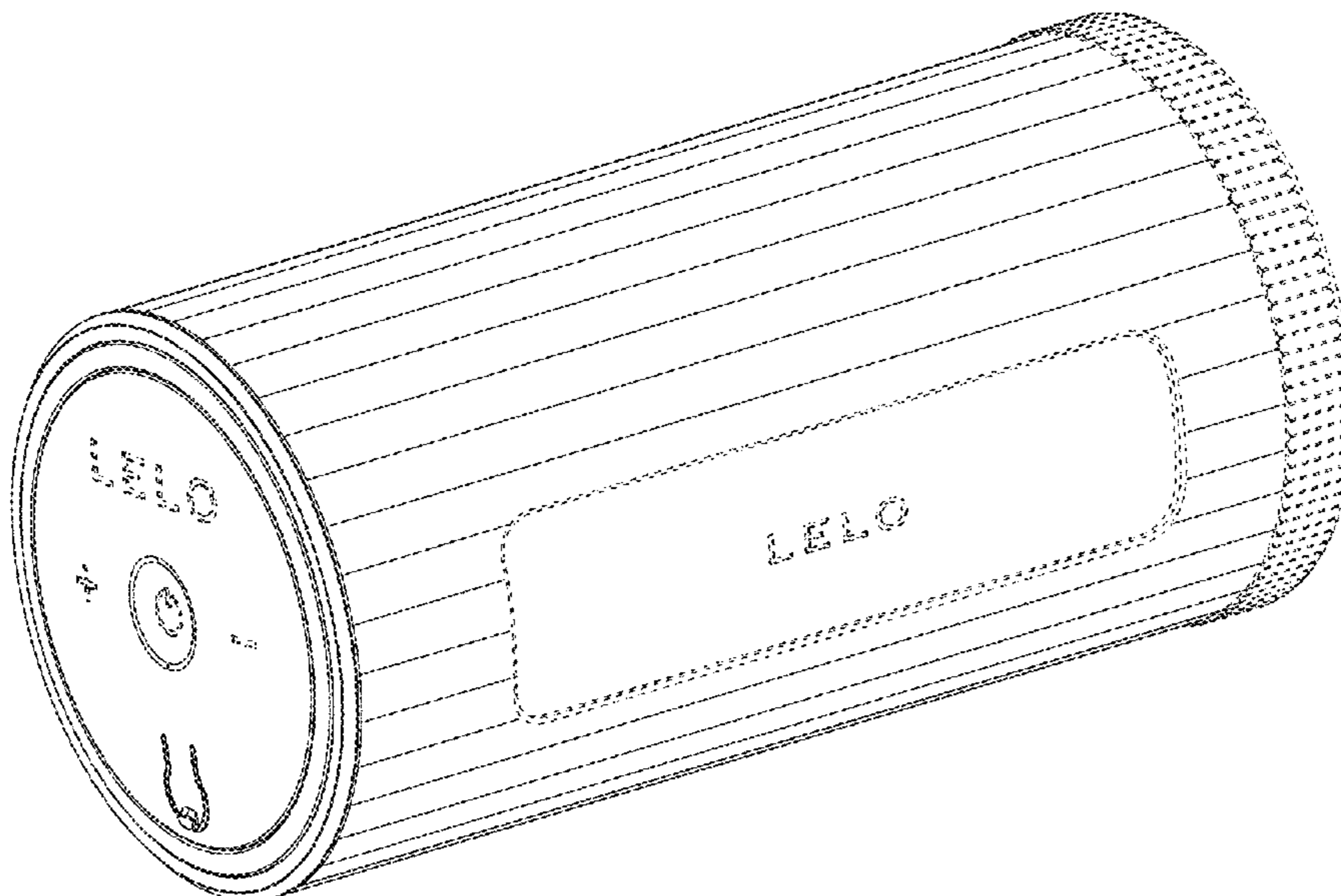
(57) **CLAIM**

I claim the ornamental design for a personal message apparatus for men, as shown and described.

DESCRIPTION

FIG. 1 is perspective view of a personal message apparatus for men showing my new design.
FIG. 2 is a bottom view thereof.
FIG. 3 is a top view thereof.
FIG. 4 is a rear view thereof.
FIG. 5 is a right side view thereof.
FIG. 6 is a front view thereof; and,
FIG. 7 is a left side view thereof.
The broken lines shown in the drawings are for the purpose of illustrating portions of the personal message apparatus for men which form no part of the claimed design.

1 Claim, 7 Drawing Sheets



(56)

References Cited

U.S. PATENT DOCUMENTS

2008/0004577 A1* 1/2008 Matsuura A61F 5/0096
604/317
2016/0136035 A1* 5/2016 Abramovitz A61H 19/32
601/136
2017/0071817 A1* 3/2017 Sanchez A61H 15/0092
2018/0049941 A1* 2/2018 Venezia A61N 5/06
2020/0046599 A1* 2/2020 Sedic A61F 5/41

OTHER PUBLICATIONS

Youtube, “F1s Developers Kit Meet the Future of Male Sextech”, Dec. 23, 2019. <https://www.youtube.com/watch?v=RuBvkR70a7E>. (Year: 2019).*

Satisfyer, “Satisfyer men”, www.satisfyer.com, pp. 1-9, <https://us.satisfyer.com/us/satisfyer-men.15/satisfyer-men>, accessed Jan. 2018.

Kiiroo, “Onyx2—The Master of Interactive Pleasure,” www.kiiroo.com, pp. 1-11, <https://www.kiiroo.com/products/onyx-2>, accessed Jan. 2018.

Fleshlight, “Fleshlight Launch,” www.fleshlight.com, pp. 1-11, <https://www.fleshlight.com/pages/launch?locale=en>, accessed Jan. 2018.

ImToy, “Piu Interactive Male Vibrator,” www.imtoy.com, pp. 1-12, <https://en.imtoy.com/sales-letter-order-form18385006>, accessed Jan. 2018.

Blewit, “Blewit V2,” www.blewit.com, pp. 1-3, <https://blewit.com/product/blewit/>, accessed Jan. 2018.

Con, “i.Con Smart Condom,” www.BritishCondoms.com, pp. 1-3, <https://britishcondoms.uk/i-con-smart-condoms.html>, accessed Jan. 2018.

Andrew Quitmeyer, “The Mod—Multivibrating Open-Source Dildo,” www.indiegogo.com, pp. 1-2, https://www.indiegogo.com/projects/the-mod-multivibrating-open-source-dildo#/, accessed Jan. 2018.

Alexandra Ars, “Master Beta Kit: Easy Erotic Engineering,” www.indiegogo.com, pp. 1-2, https://www.indiegogo.com/projects/master-beta-kit-easy-erotic-engineering-2#/, accessed Jan. 2018.

Fleshlight, “Stamina Training Unit Lady,” www.fleshlight.com, pp. 1-8, <https://www.fleshlight.com/collections/stamina-training-fl-toys/products/stamina-training-unit>, accessed Jan. 2018.

Hoctopuss, “Pulse III—Solo & Duo,” www.hoctopuss.com, pp. 1-12, <https://www.hoctopuss.com/pulse-iii/>, accessed Jan. 2018.

Autoblow, “Automatic Blowjobs Just Got Even Better,” www.autoblow.com, pp. 1-4, <https://www.autoblow2.com/autoblow-2>, accessed Jan. 2018.

Tenga, “Flip 0—Zeroing in on the Possibilities of Pleasure,” www.tenga-global.com, pp. 1-2, <https://www.tenga-global.com/products/hole/flip-0/>, accessed Jan. 2018.

Nathaniel Eliason, “Stamena—Longer lasting sex kegel trainer for men,” itunes.apple.com, pp. 1-3, <https://itunes.apple.com/us/app/stamena-longer-lasting-sex-kegel-trainer-for-men/id1106687104?mt=8>, accessed Jan. 2018.

* cited by examiner

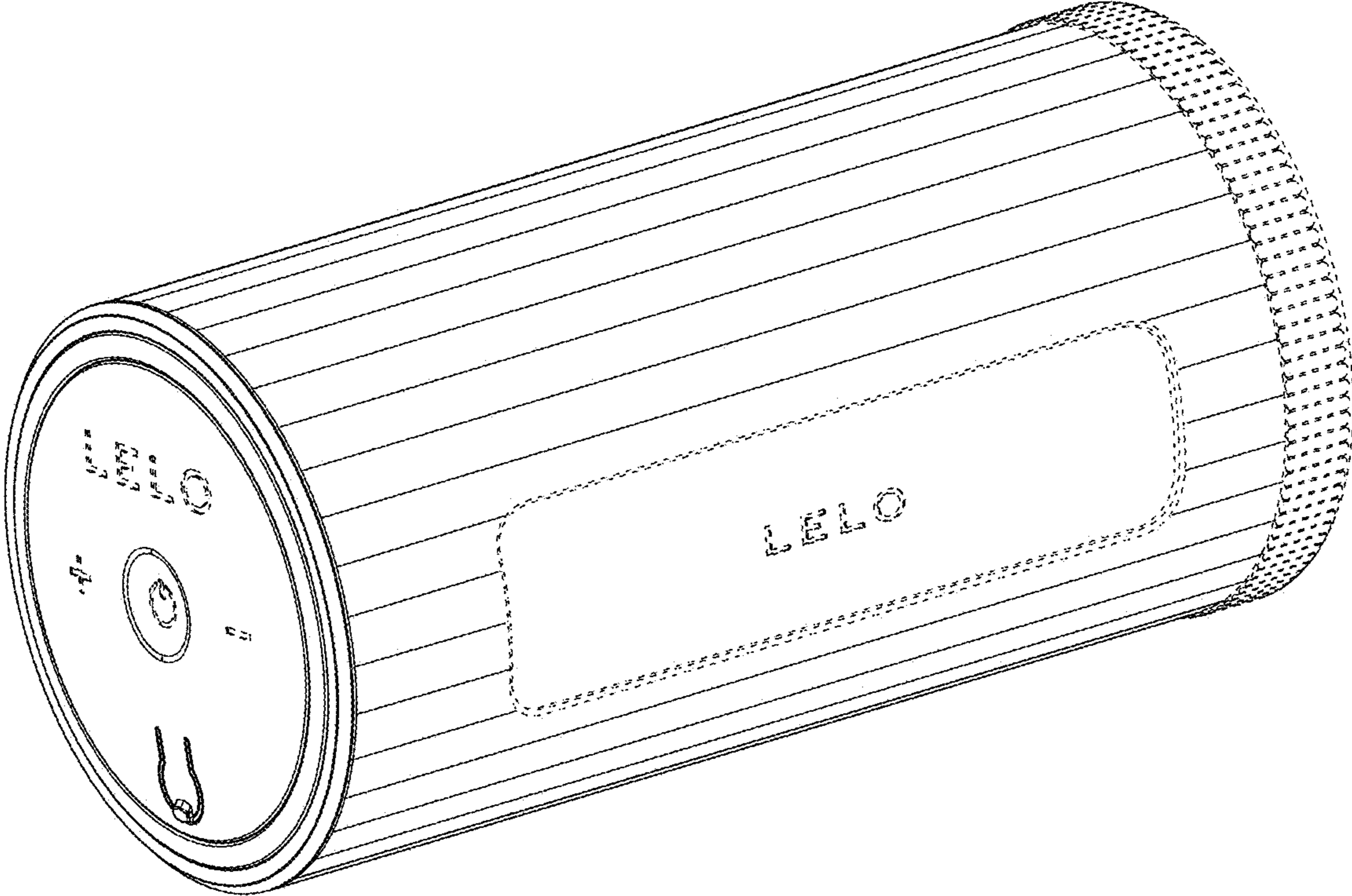


FIG. 1

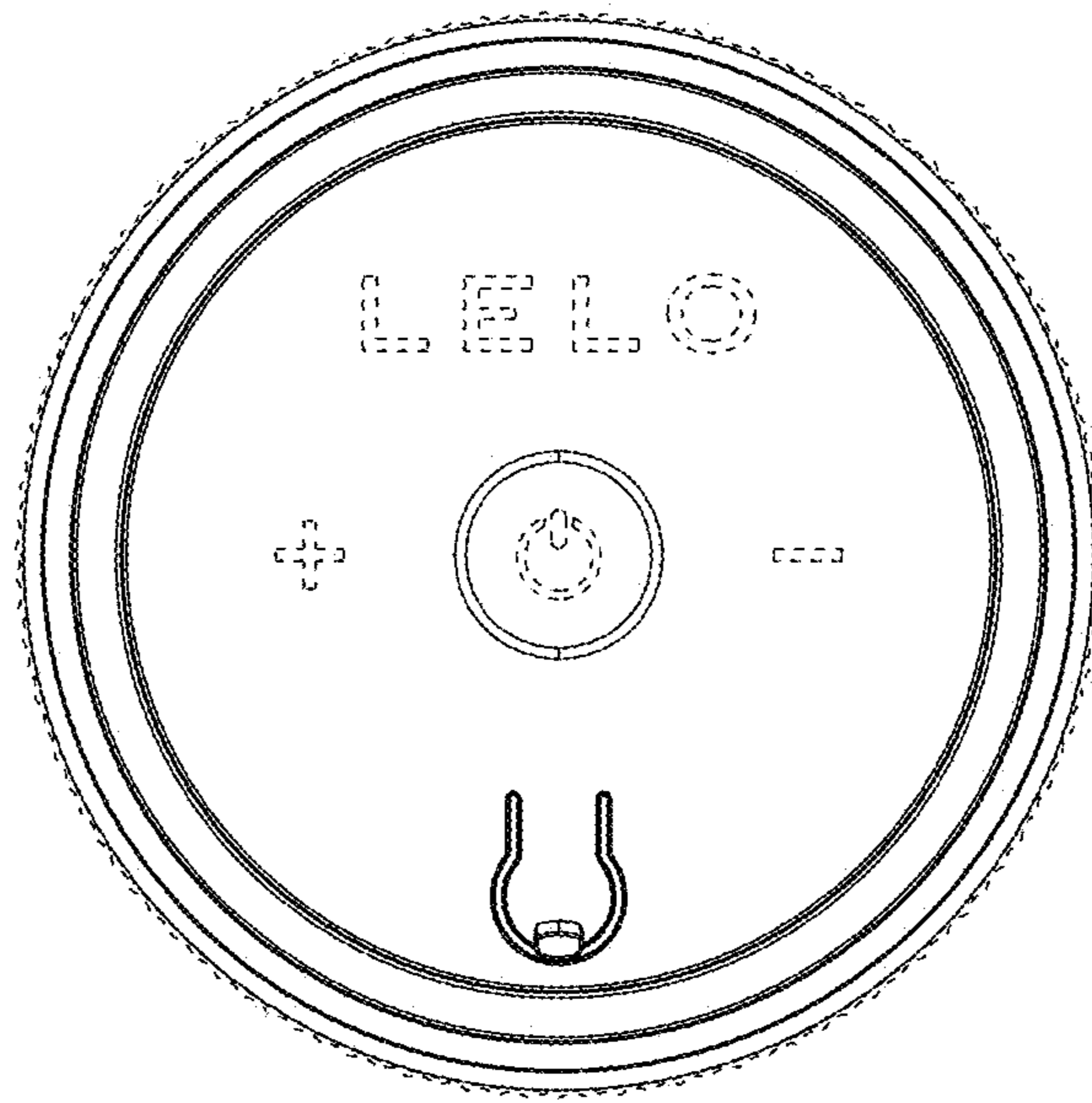


FIG. 2

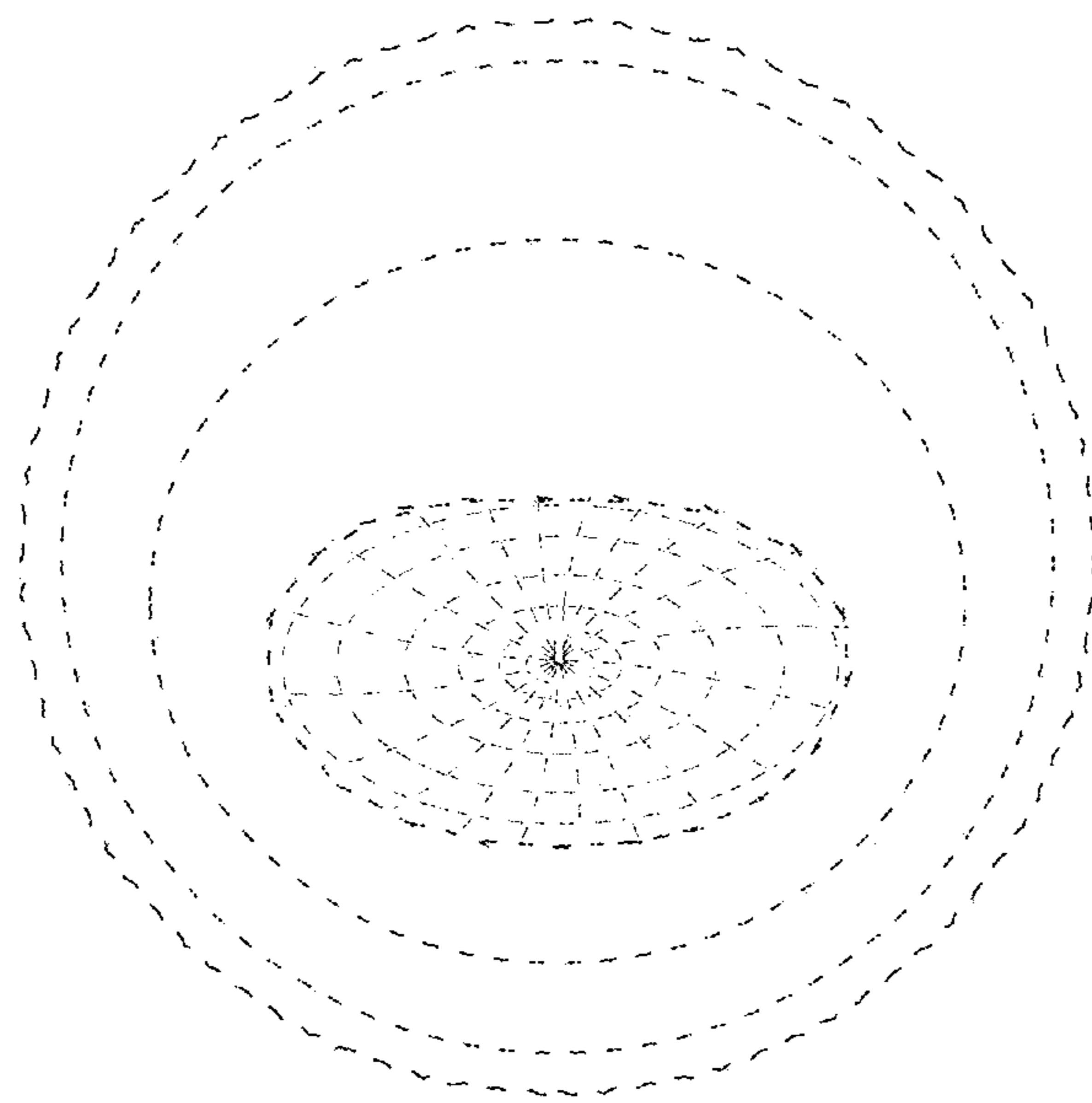


FIG. 3

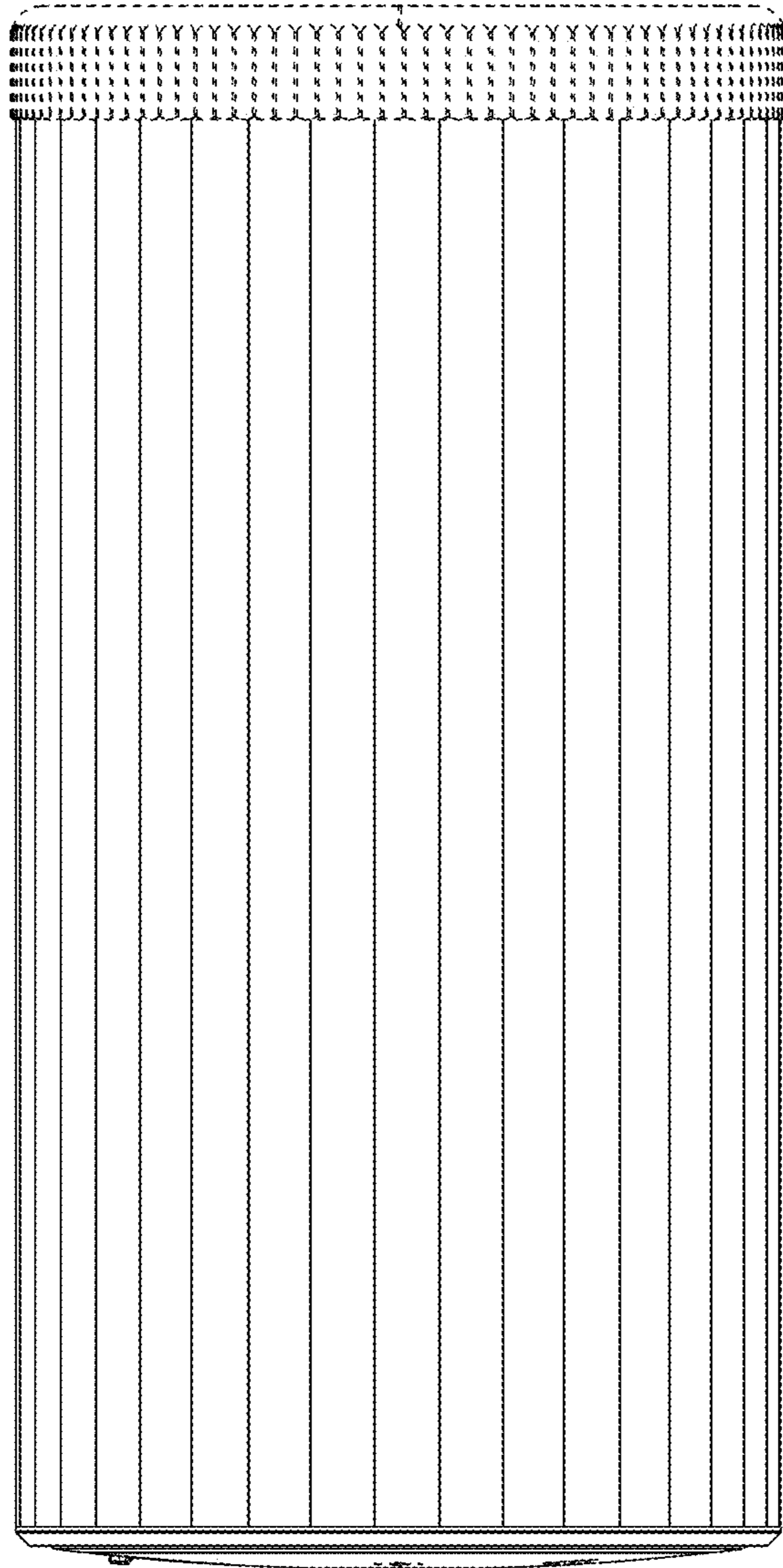


FIG. 4

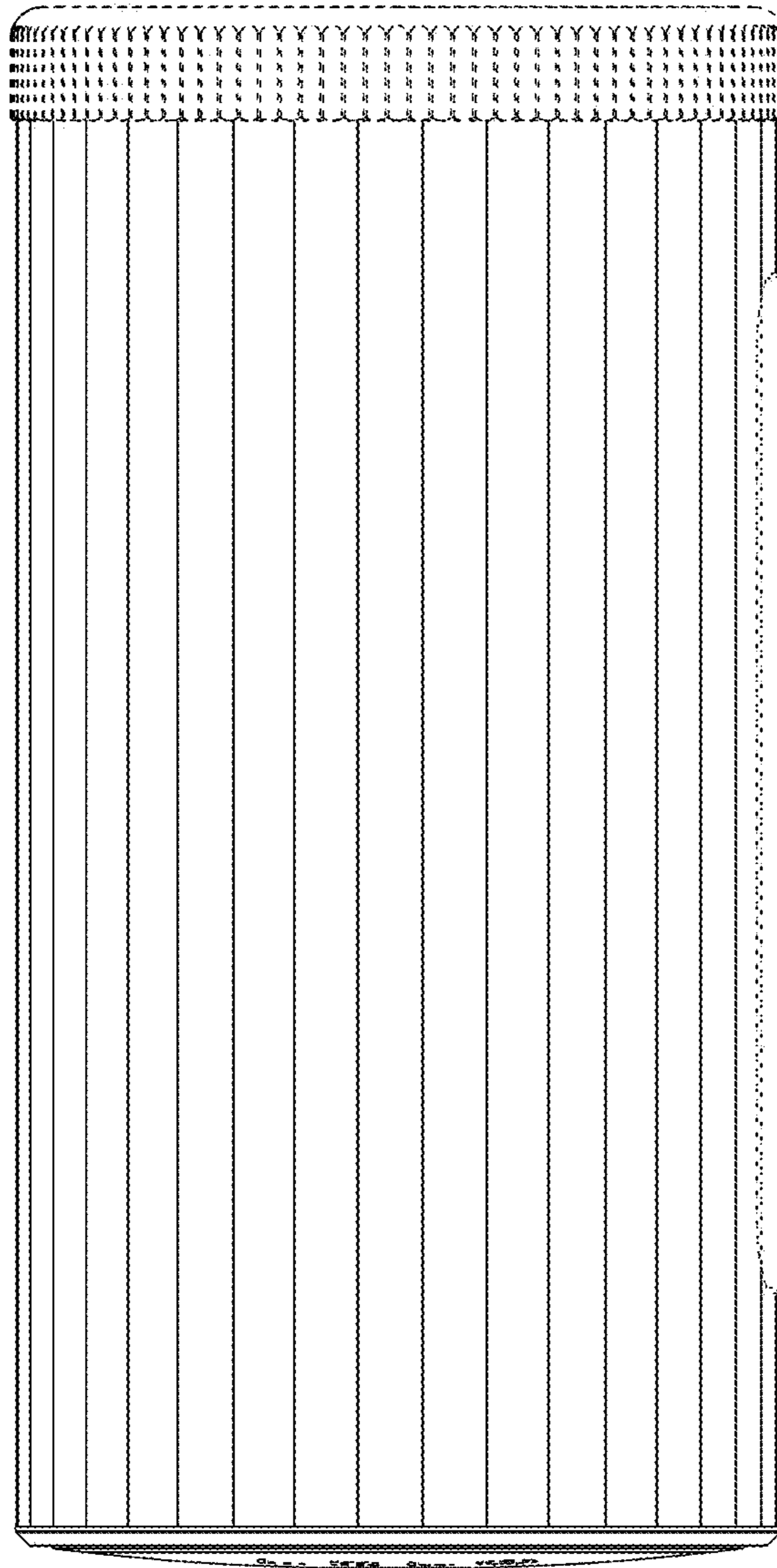


FIG. 5

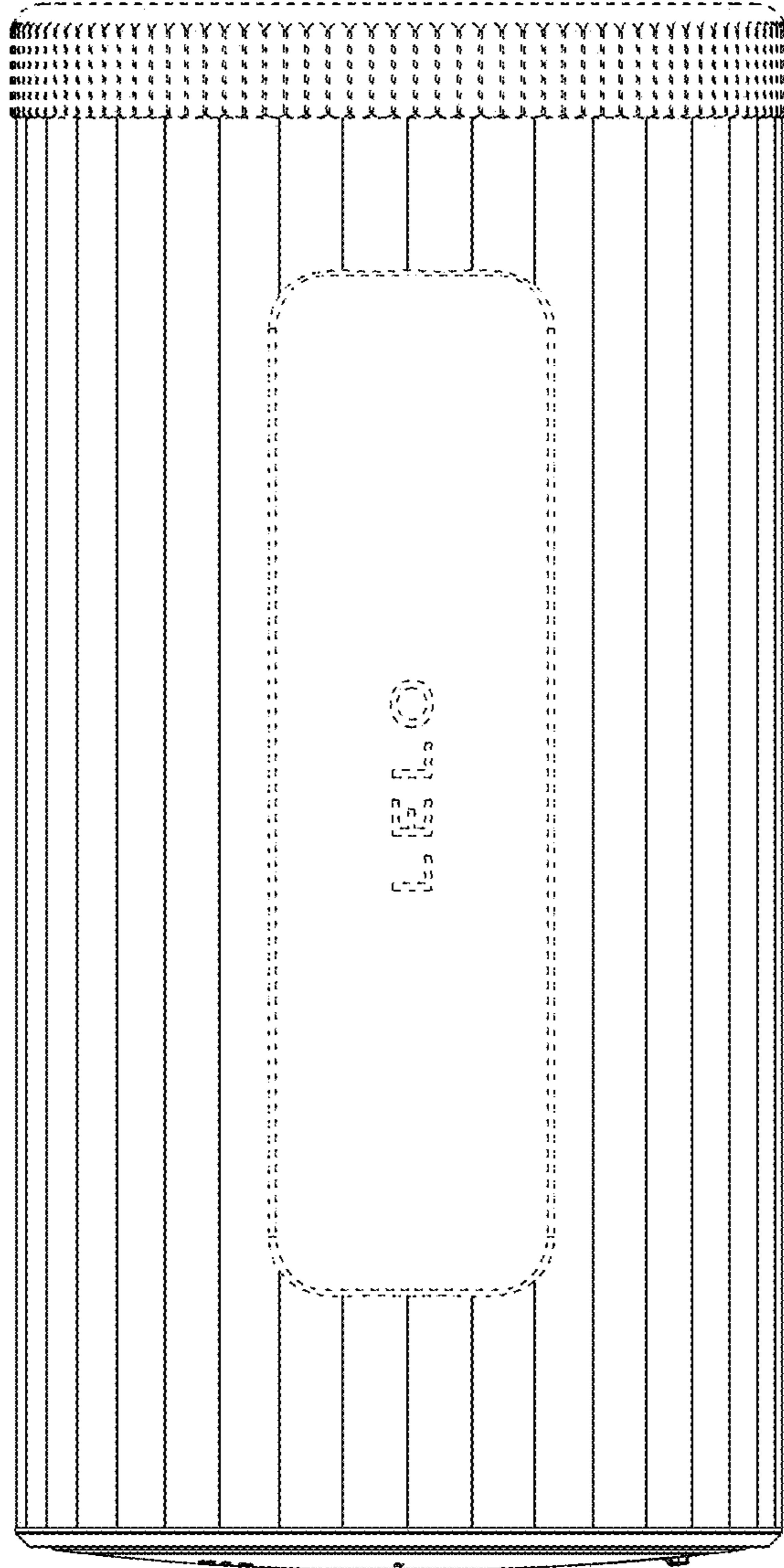


FIG. 6

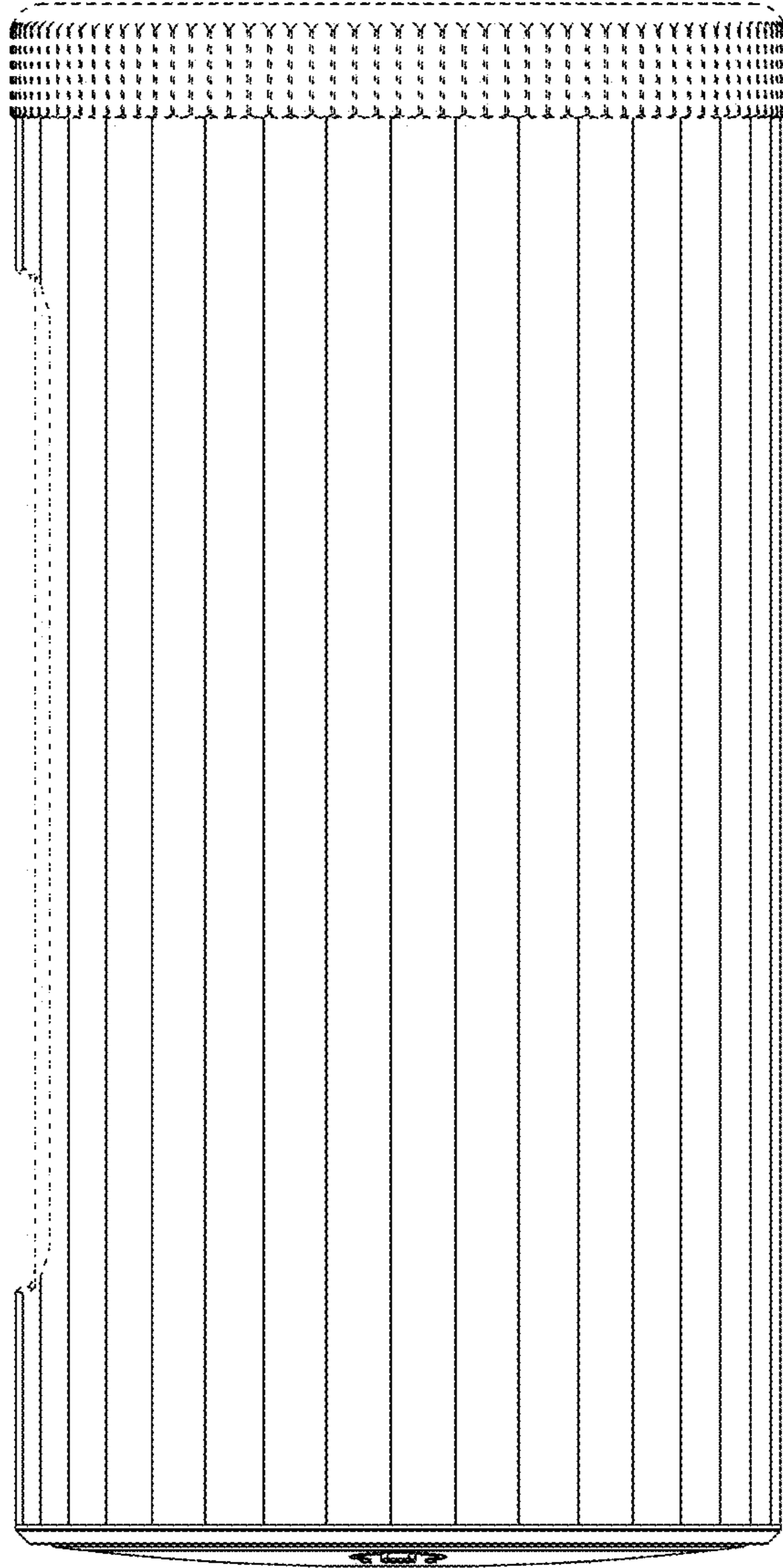


FIG. 7