



US00D958390S

(12) **United States Design Patent** (10) **Patent No.:** **US D958,390 S**  
**De Simone** (45) **Date of Patent:** **\*\* Jul. 19, 2022**

(54) **BEAUTY DEVICE**  
(71) Applicant: **Angelo De Simone**, San Diego, CA (US)  
(72) Inventor: **Angelo De Simone**, San Diego, CA (US)  
(\*\*) Term: **15 Years**  
(21) Appl. No.: **29/768,046**  
(22) Filed: **Jan. 27, 2021**  
(51) **LOC (13) Cl.** ..... **28-03**  
(52) **U.S. Cl.**  
USPC ..... **D24/215**  
(58) **Field of Classification Search**  
USPC ..... D24/133, 146, 147, 200, 211, 212, 213, D24/214, 215; D9/723  
CPC ..... A61H 7/003; A61H 39/04; A61H 7/007  
See application file for complete search history.

D756,527 S \* 5/2016 Cole ..... D24/200  
D770,635 S \* 11/2016 Cole ..... D24/200  
D831,835 S \* 10/2018 Cole ..... D24/200  
D844,799 S \* 4/2019 Kim ..... D24/214  
D845,496 S \* 4/2019 Cole ..... D24/200  
D872,294 S \* 1/2020 Yu ..... D24/214  
D903,889 S \* 12/2020 Luo ..... D24/211

\* cited by examiner

*Primary Examiner* — Michael A Maharajh  
(74) *Attorney, Agent, or Firm* — Witters & Associates;  
Steve Witters

(57) **CLAIM**

The ornamental design for a beauty device, as shown and described.

**DESCRIPTION**

FIG. 1 a perspective view of a beauty device, showing the design thereof;  
FIG. 2 a front view thereof;  
FIG. 3 is a rear view thereof;  
FIG. 4 is a right side view thereof;  
FIG. 5 is a left side view thereof;  
FIG. 6 is a top view thereof; and,  
FIG. 7 is a bottom view thereof.

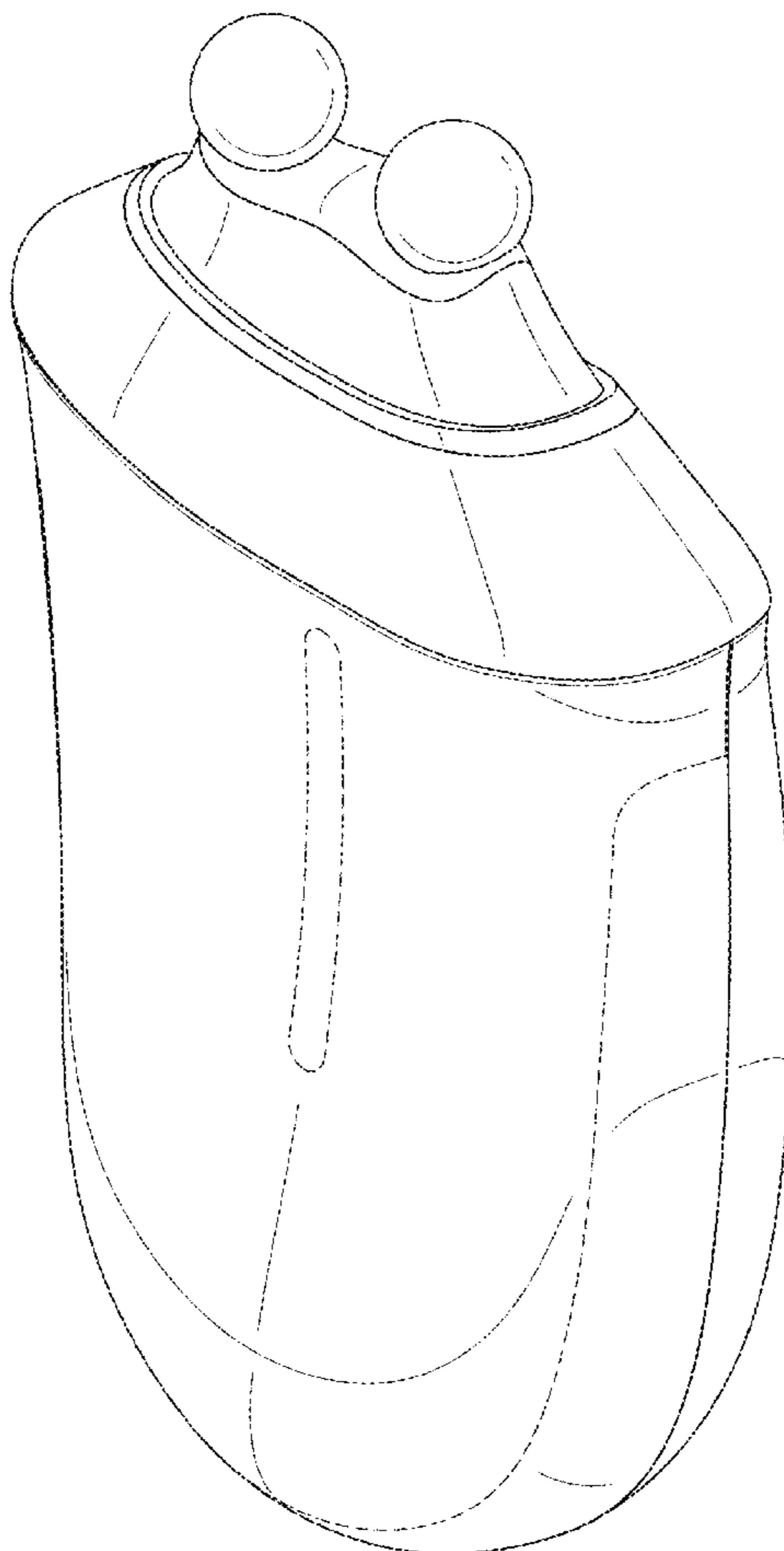
The broken lines shown in the drawings depict portions of the beauty device that form no part of the claimed design.

(56) **References Cited**

U.S. PATENT DOCUMENTS

D638,132 S \* 5/2011 Cole ..... D24/200  
D692,571 S \* 10/2013 Luzon ..... D24/215  
D699,367 S \* 2/2014 Lee ..... D24/215

**1 Claim, 6 Drawing Sheets**



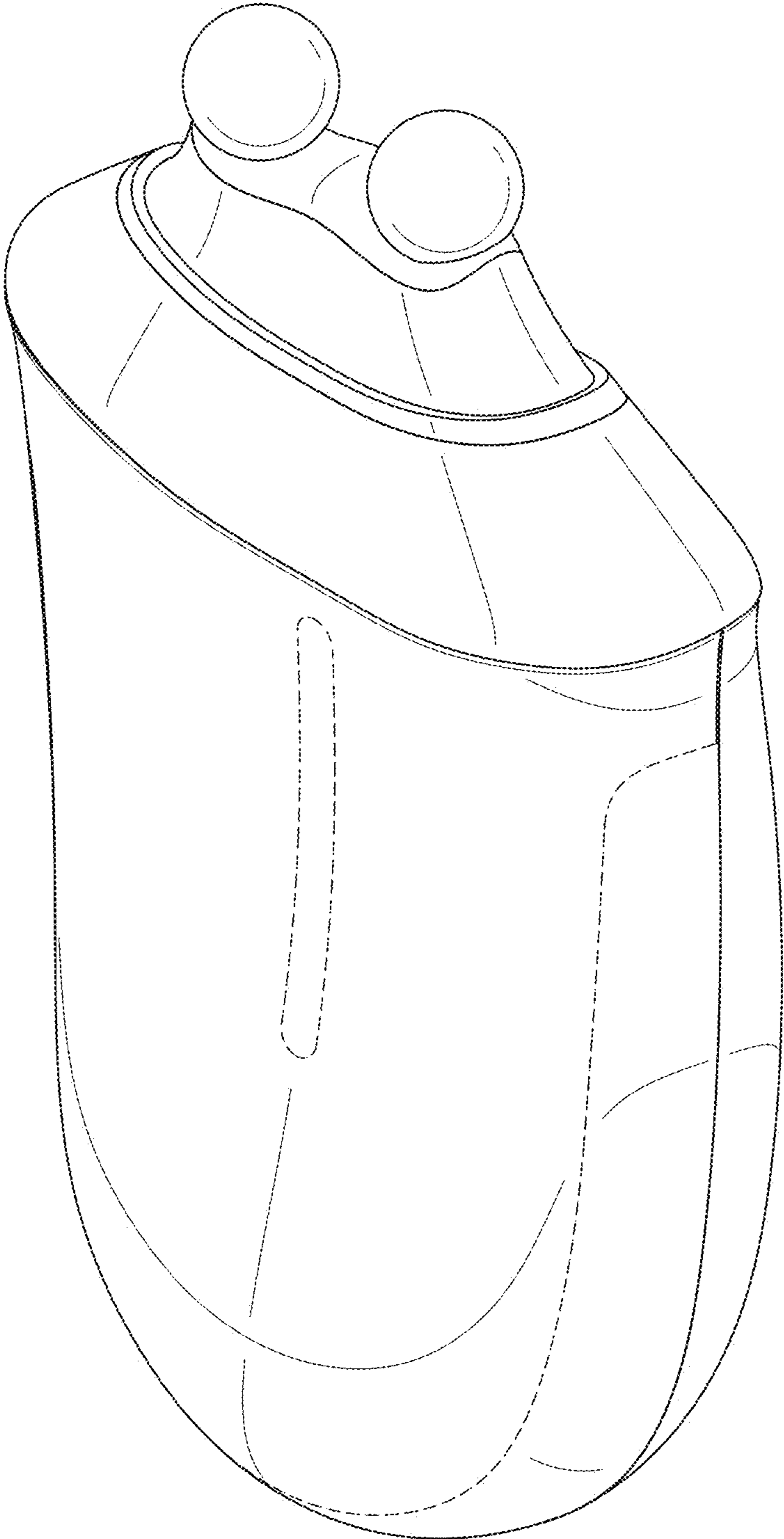


FIG. 1

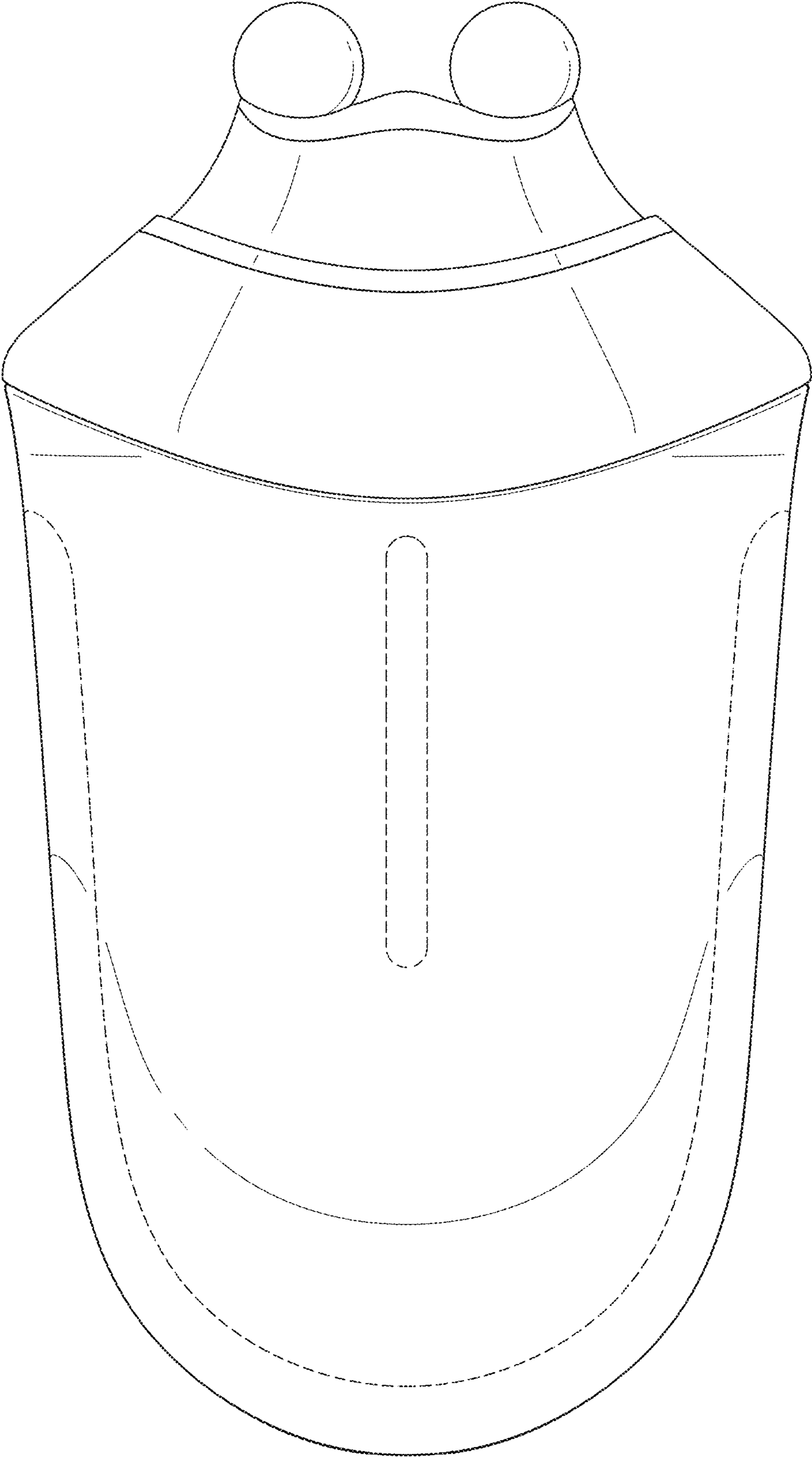


FIG. 2

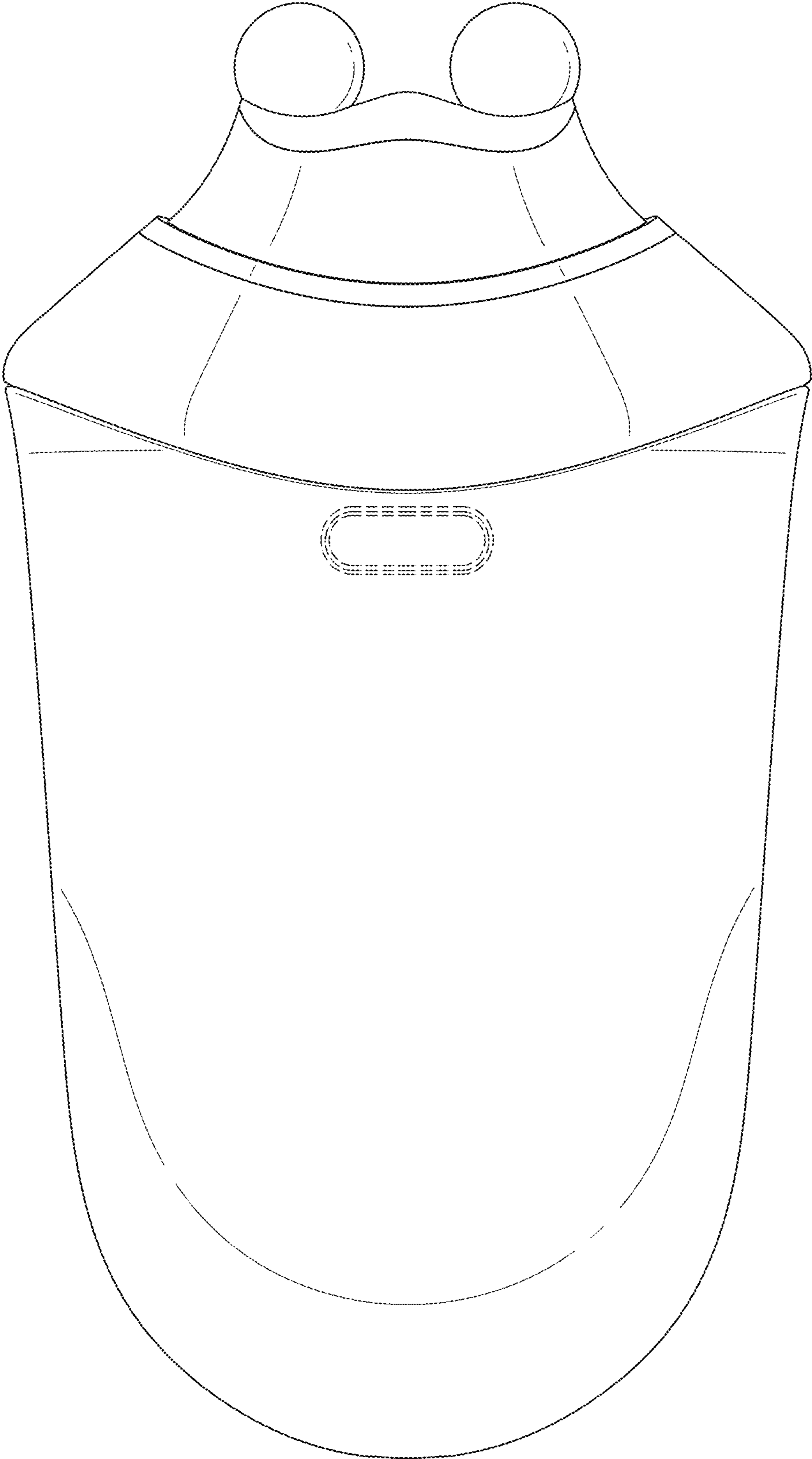


FIG. 3

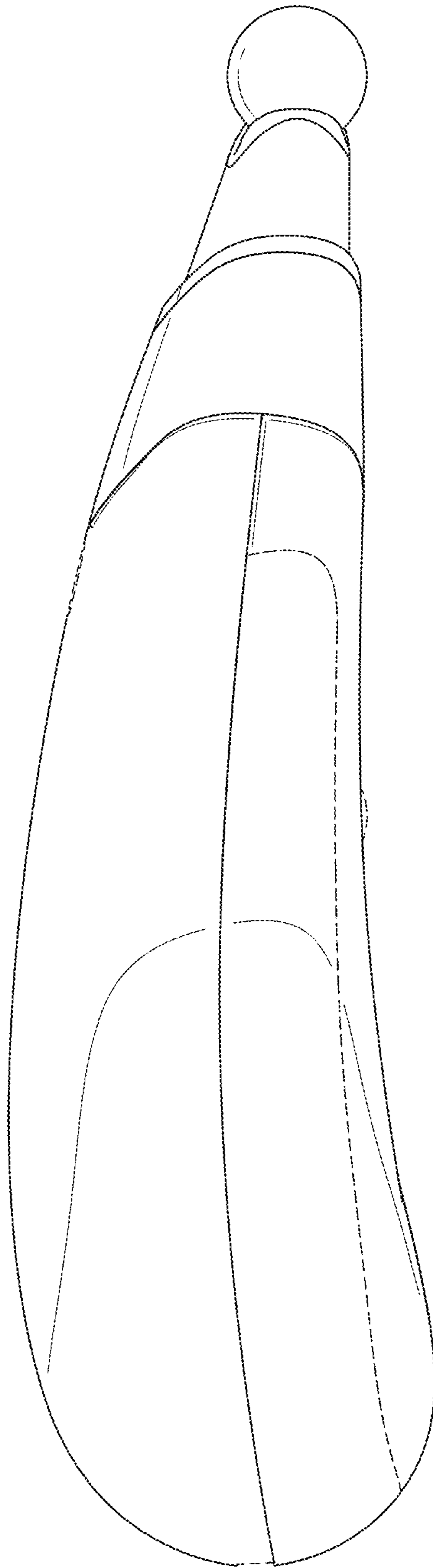


FIG. 4

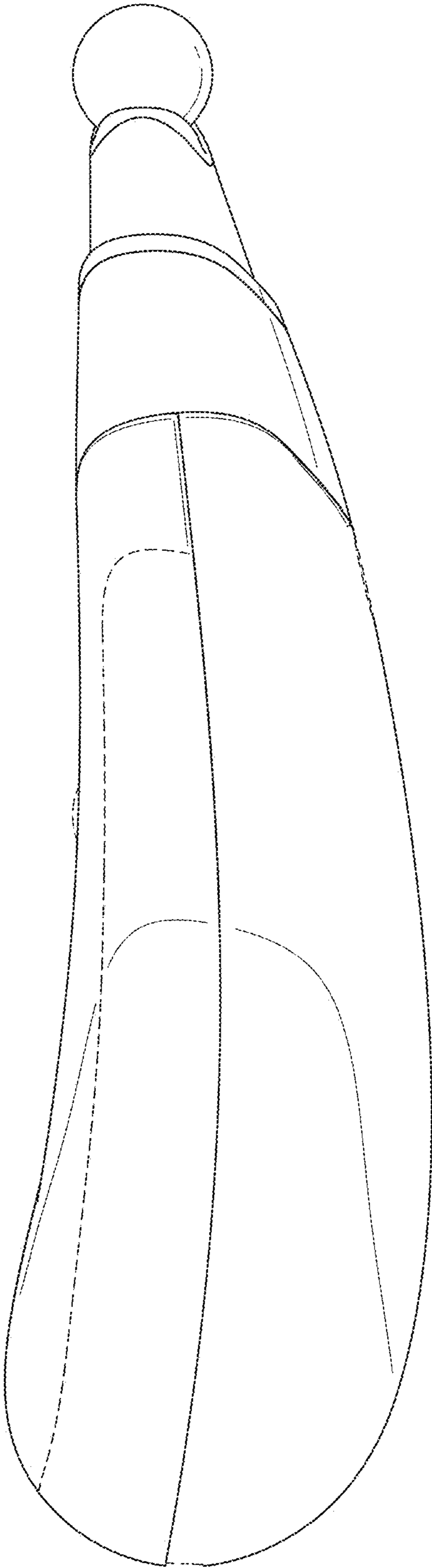


FIG. 5

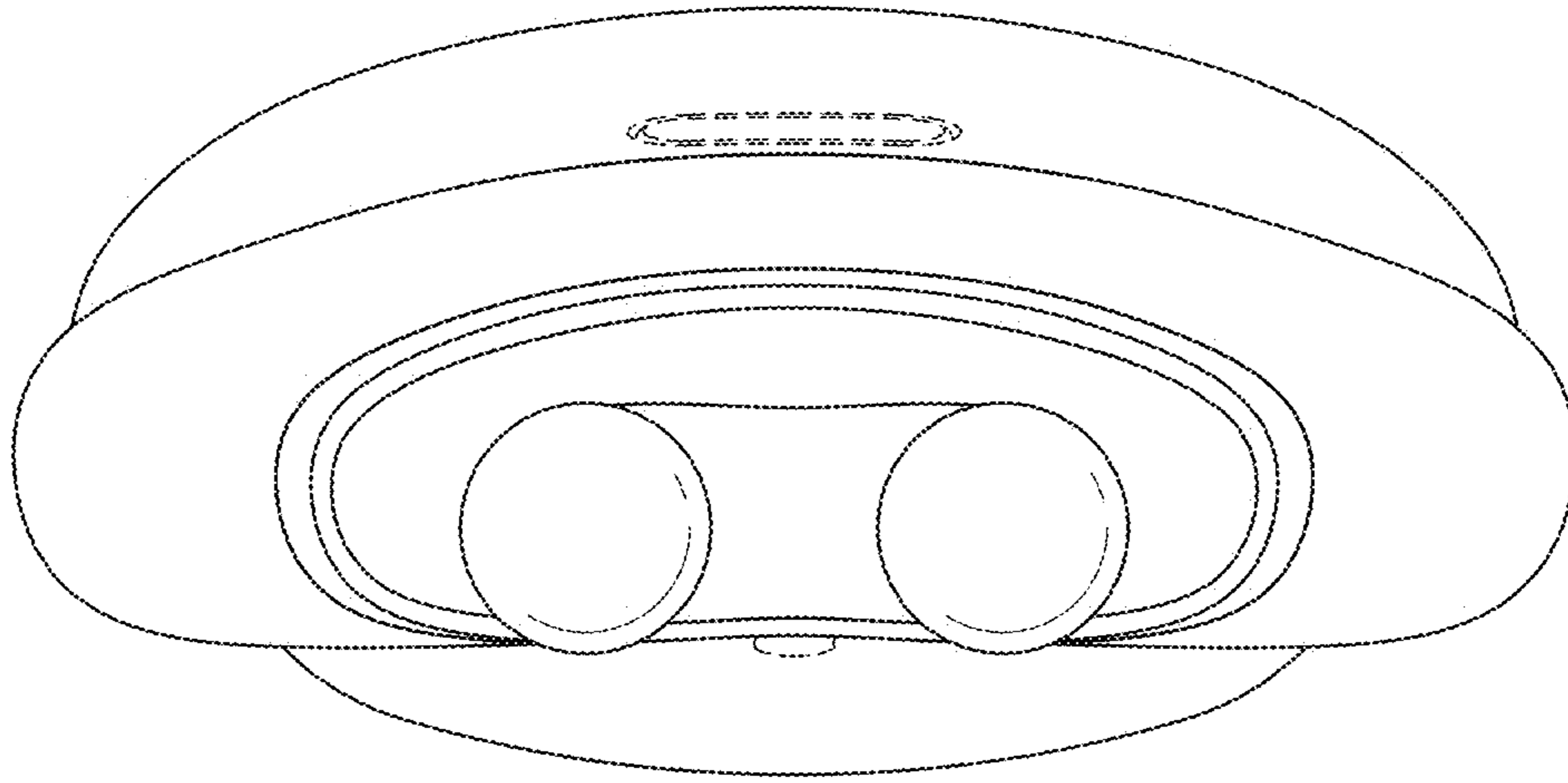


FIG. 6

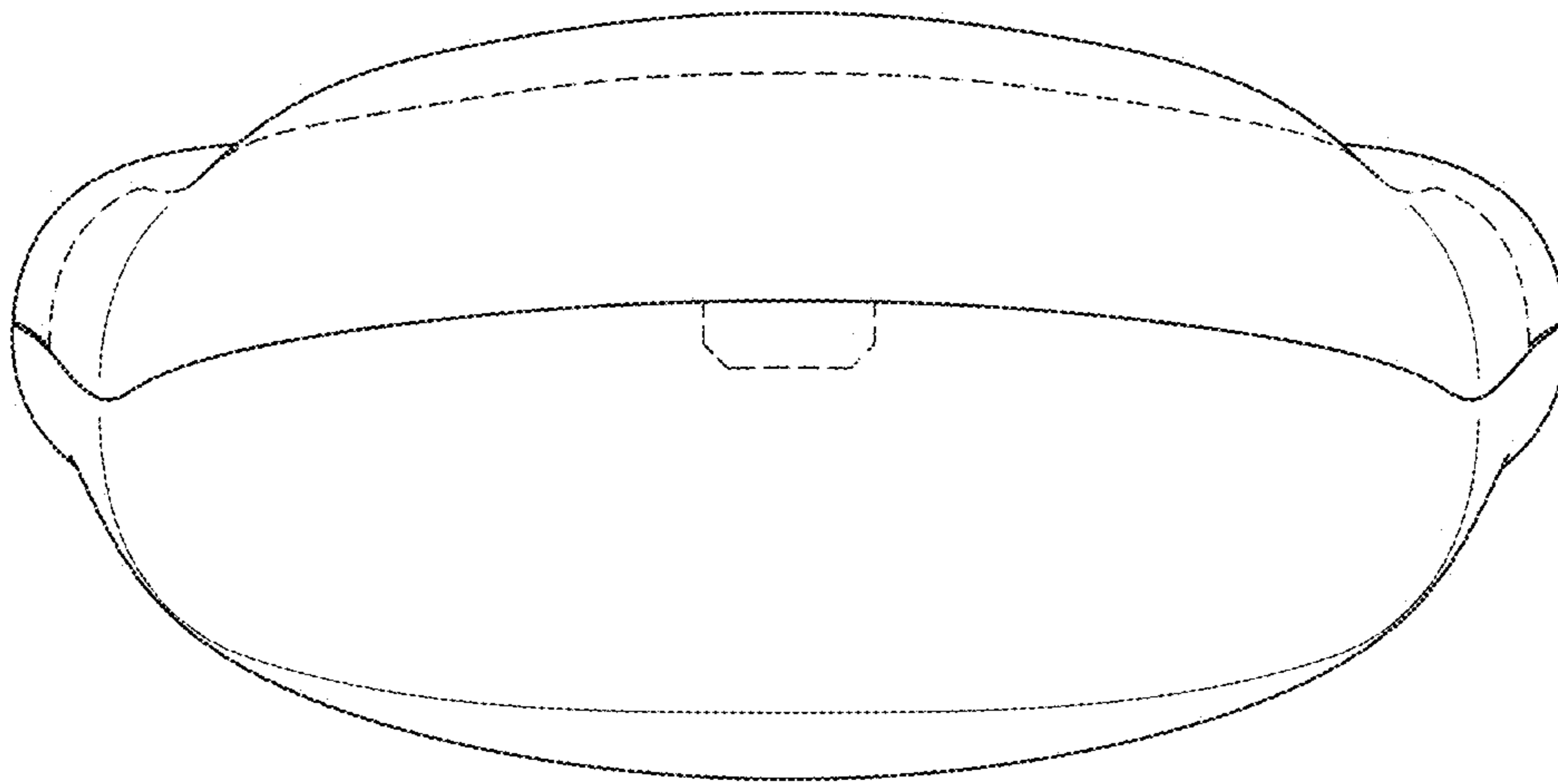


FIG. 7