



US00D958389S

(12) **United States Design Patent** (10) **Patent No.:** **US D958,389 S**  
**Minkus** (45) **Date of Patent:** **\*\* Jul. 19, 2022**

- (54) **MESSAGE GUN EXTENSION ARM**
- (71) Applicant: **Fitness Evolution 808 LLC**, Honolulu, HI (US)
- (72) Inventor: **Michael Minkus**, Honolulu, HI (US)
- (73) Assignee: **Fitness Evolution 808 LLC**, Honolulu, HI (US)
- (\*\*) Term: **15 Years**
- (21) Appl. No.: **29/760,778**
- (22) Filed: **Dec. 3, 2020**
- (51) **LOC (13) Cl.** ..... **28-03**
- (52) **U.S. Cl.**  
USPC ..... **D24/215**
- (58) **Field of Classification Search**  
USPC ..... D24/200, 211, 212, 213, 214, 215;  
D8/14.1; D28/13; D3/7; D23/266  
CPC . A61H 2201/1653; A61H 23/006; A61H 1/00  
See application file for complete search history.

D939,724 S \* 12/2021 Hu ..... D24/215  
D940,345 S \* 1/2022 Cheng ..... D24/215  
2022/0104997 A1\* 4/2022 Lawrie ..... B25G 1/102

**OTHER PUBLICATIONS**

Youtube, "Reach 360 Attach & Remove", Mar. 27, 2022. <https://www.youtube.com/watch?v=6qf7VCIwfEw>. (Year: 2022).  
Fitness Evolution 808, "Reach 360 Extension Arm", Access date Apr. 14, 2022. <https://www.fe808.com/product-page/reach-360-extension-arm>. (Year: 2022).\*

\* cited by examiner

*Primary Examiner* — Michael A Maharajh  
(74) *Attorney, Agent, or Firm* — Polsinelli PC

(57) **CLAIM**

An ornamental design for a massage gun extension arm, as shown and described.

**DESCRIPTION**

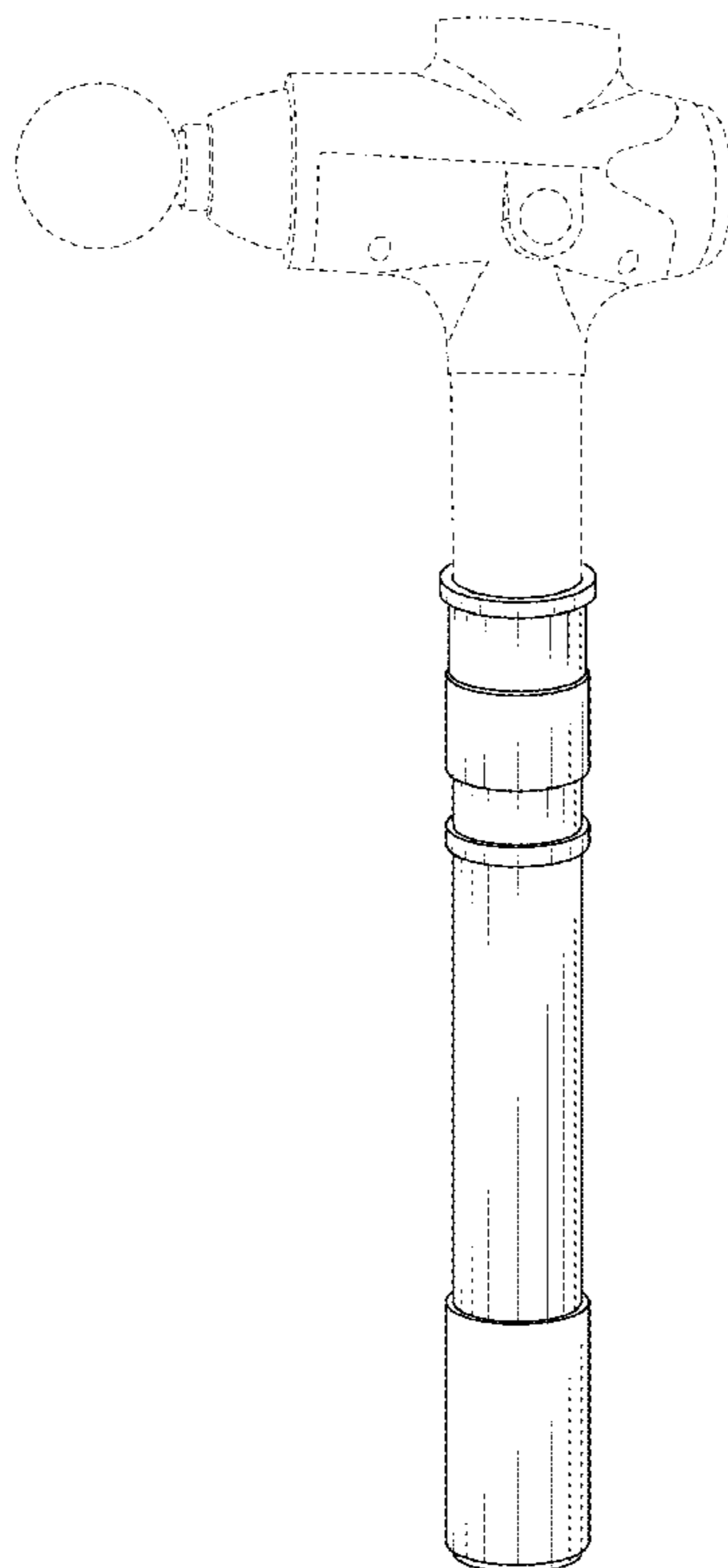
FIG. 1 is a front perspective view of a massage gun extension arm showing my new design;  
FIG. 2 is a perspective view thereof;  
FIG. 3 is a side view thereof;  
FIG. 4 is an end view thereof; and,  
FIG. 5 is an opposite end view thereof.  
The broken lines shown in the drawings are for the purpose of illustrating environmental structure, which form no part of the claimed design.

**1 Claim, 3 Drawing Sheets**

(56) **References Cited**

**U.S. PATENT DOCUMENTS**

- 6,682,496 B1 \* 1/2004 Pivaroff ..... A61H 7/005  
601/107
- D544,102 S \* 6/2007 Pivaroff ..... D24/215
- D691,731 S \* 10/2013 Grippo ..... A61H 39/04  
D24/215
- D726,289 S \* 4/2015 Mahmood ..... D23/266
- D895,133 S \* 9/2020 Xu ..... D24/215
- D939,101 S \* 12/2021 Yang ..... D24/215



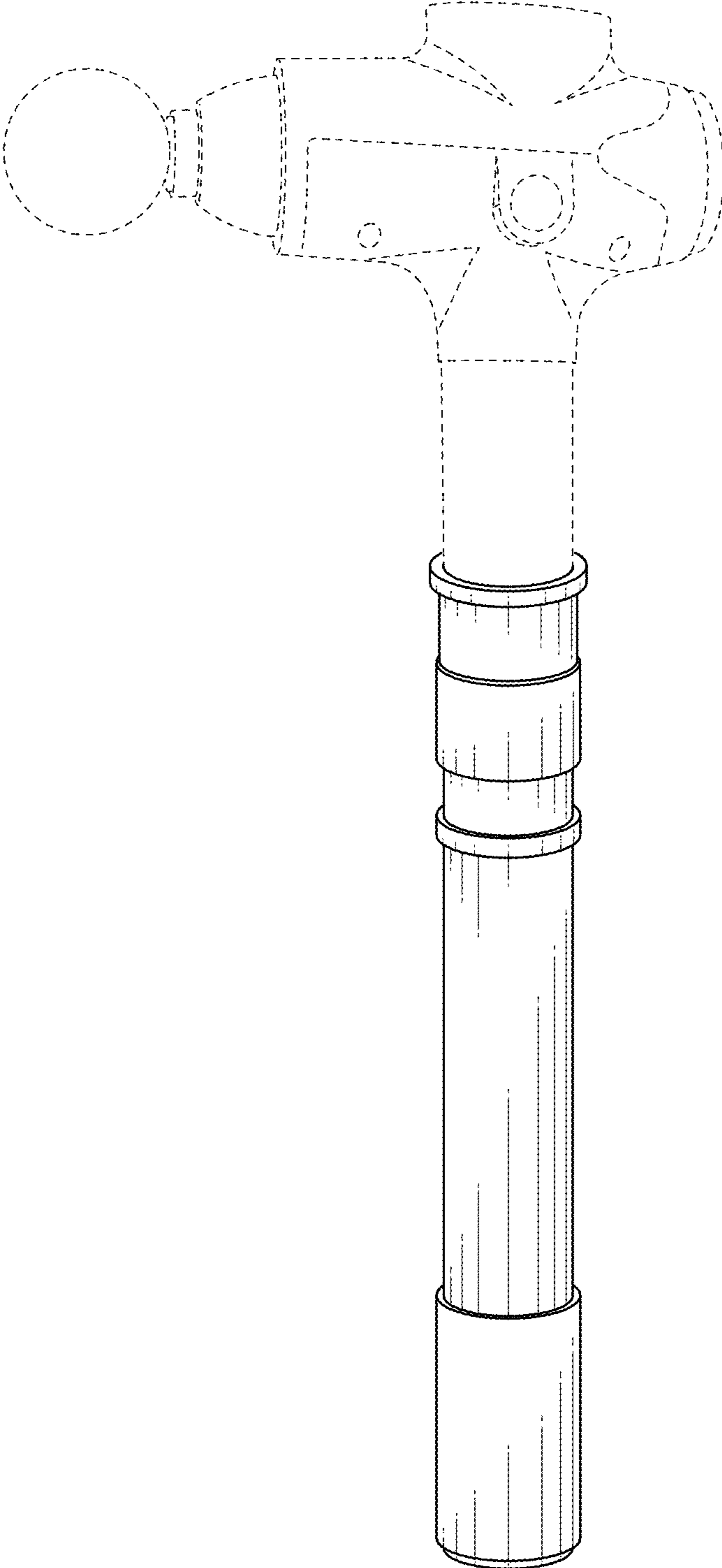


FIG. 1

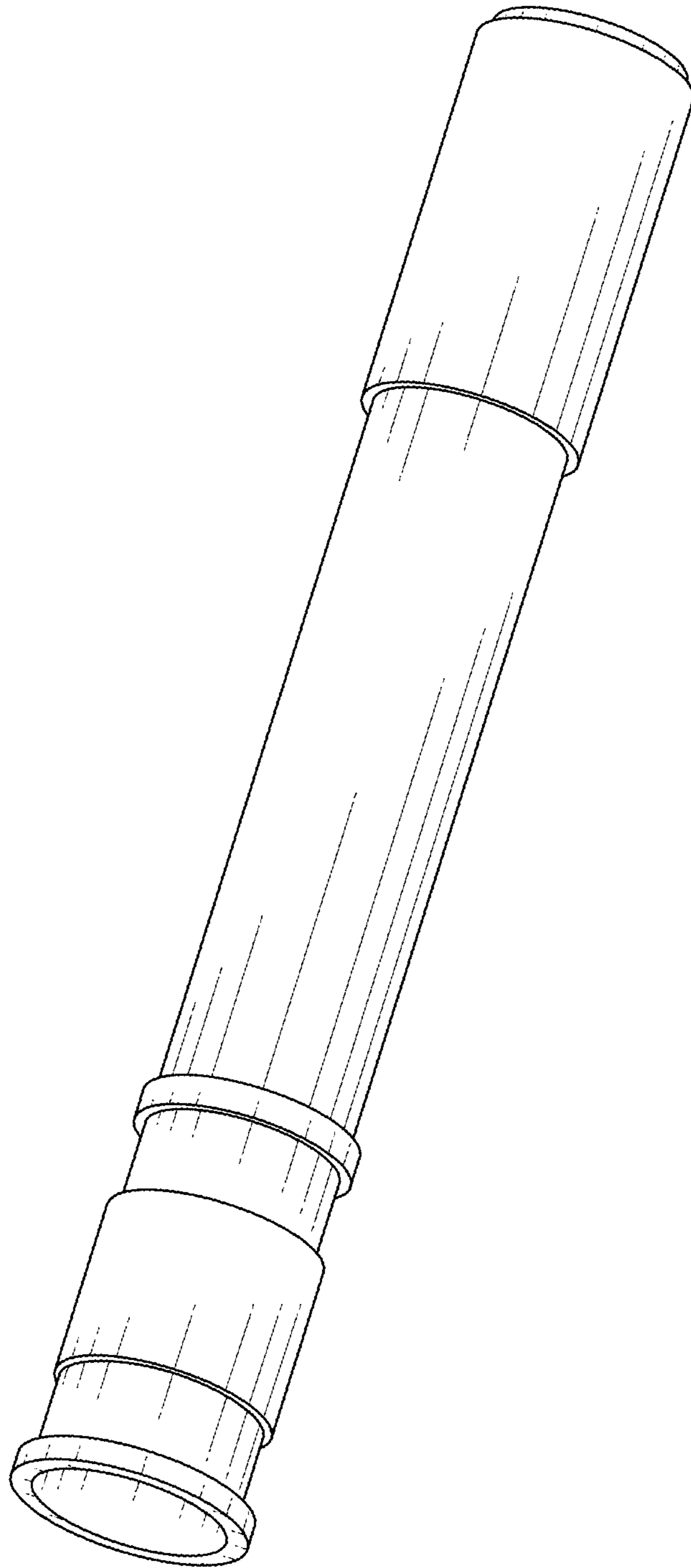


FIG. 2

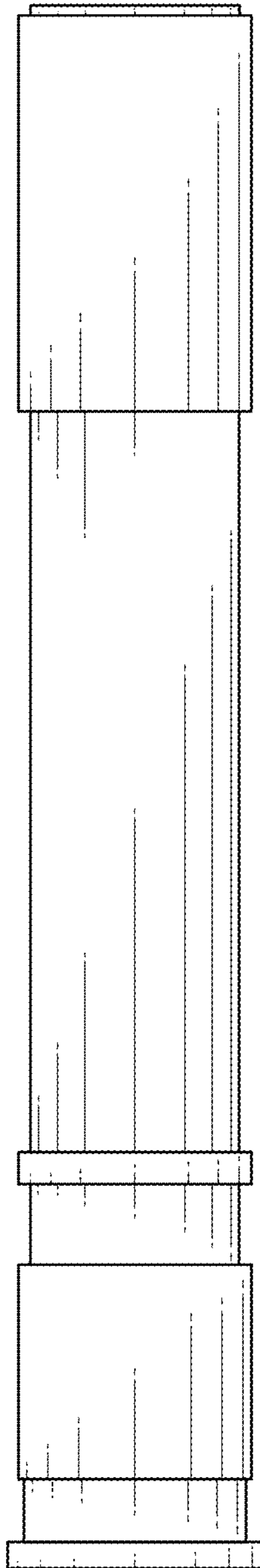


FIG. 3

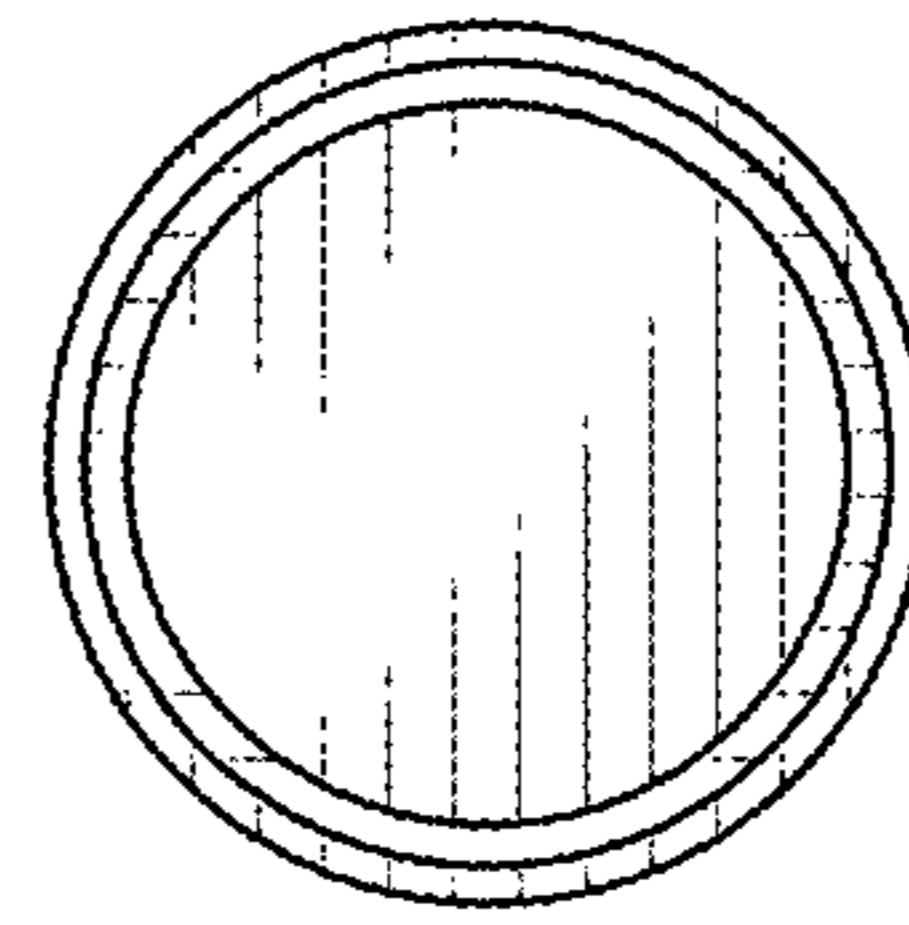


FIG. 4

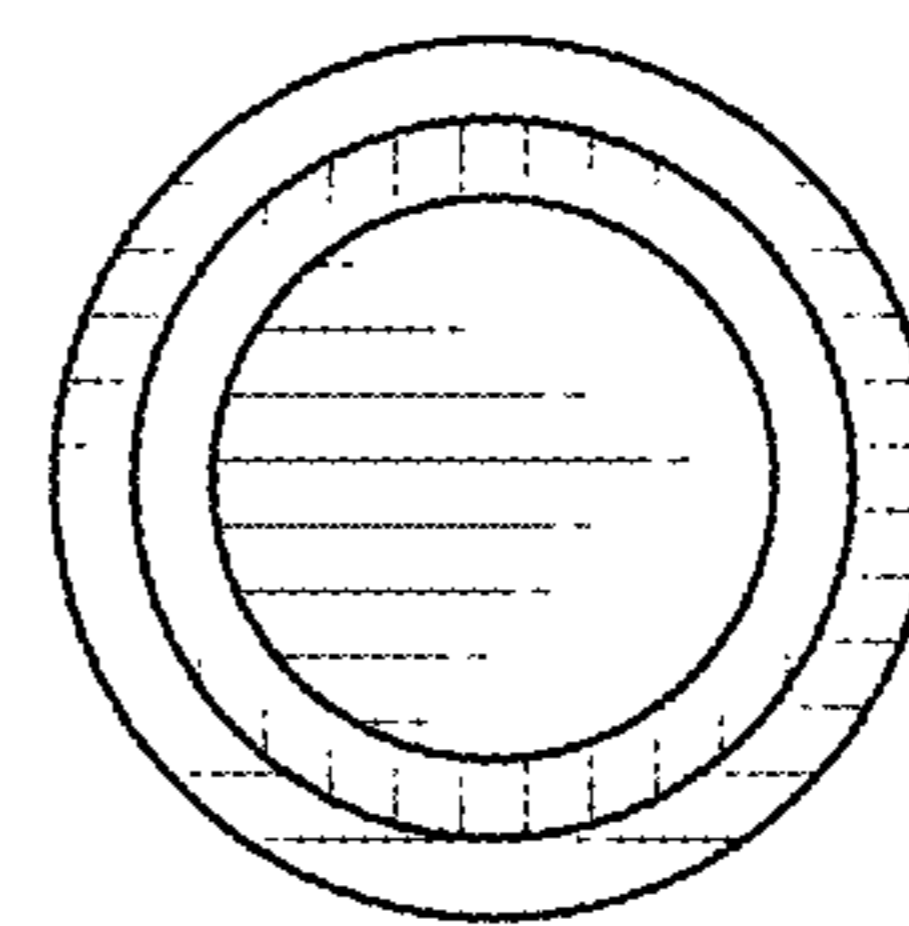


FIG. 5