



US00D958385S

(12) **United States Design Patent**
McDevitt et al.

(10) **Patent No.:** **US D958,385 S**
(45) **Date of Patent:** **** Jul. 19, 2022**

(54) **HANDHELD MEDITATION TRAINER**

(71) Applicant: **Core Wellness, LLC**, Irvine, CA (US)

(72) Inventors: **Sarah McDevitt**, Kensington, CA (US);
Brian Bolze, San Francisco, CA (US);
Bashir Ziady, San Francisco, CA (US);
Josh Harris, San Francisco, CA (US);
Colin Jackson, San Francisco, CA (US);
Samuel Starr, San Francisco, CA (US);
Coby Ben-Poorat, San Francisco, CA (US);
David Mallard, San Francisco, CA (US)

(73) Assignee: **Core Wellness, LLC**, Irvine, CA (US)

(**) Term: **15 Years**

(21) Appl. No.: **29/770,905**

(22) Filed: **Feb. 17, 2021**

Related U.S. Application Data

(63) Continuation of application No. 29/649,515, filed on May 30, 2018, now Pat. No. Des. 917,712.

(51) **LOC (13) Cl.** **28-03**

(52) **U.S. Cl.**
USPC **D24/214**

(58) **Field of Classification Search**
USPC D24/200, 211, 213, 214, 215; D32/29.1;
D21/662, 680, 707, 712, 713; D30/160
CPC A61H 15/0092; A61H 15/00; A61H
2201/169; A61H 39/04; A61H 7/007
See application file for complete search history.

(56) **References Cited**

U.S. PATENT DOCUMENTS

D370,704 S * 6/1996 Oberhoff D23/366
D621,495 S * 8/2010 Li D23/366
D622,001 S * 8/2010 Zabala D28/18
D720,063 S * 12/2014 Li D23/366

D896,397 S * 9/2020 Chen D24/215
D912,171 S * 3/2021 von Heland D21/713
D917,712 S * 4/2021 McDevitt D24/214
D919,786 S * 5/2021 Lee D23/366

(Continued)

OTHER PUBLICATIONS

Amazon, "Core Meditation Trainer", Nov. 12, 2020. <https://www.amazon.com/Core-Meditation-Trainer-Relaxation-Wellness/dp/B08N9Y2J2F>. Shown on p. 1. (Year: 2020).*

(Continued)

Primary Examiner — Michael A Maharajh

(74) *Attorney, Agent, or Firm* — Goodwin Procter LLP

(57) **CLAIM**

The ornamental design for a handheld meditation trainer, as shown and described.

DESCRIPTION

FIG. 1 is a front elevation view of a handheld meditation trainer.

FIG. 2 is a left elevation view of the handheld meditation trainer.

FIG. 3 is a right side elevation view of the handheld meditation trainer.

FIG. 4 is a rear elevation view of the handheld meditation trainer.

FIG. 5 is a top plan view of the handheld meditation trainer.

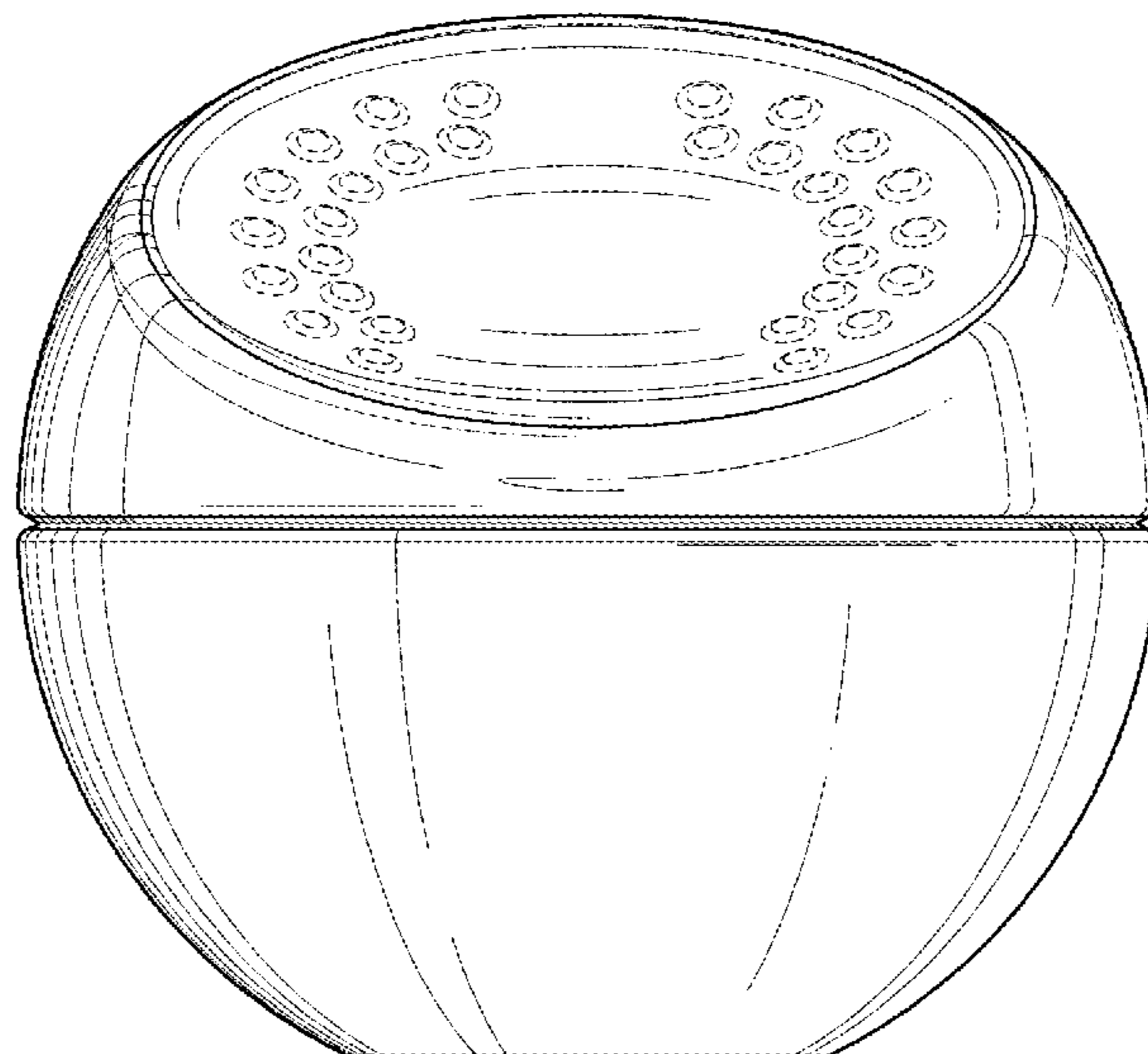
FIG. 6 is a bottom plan view of the handheld meditation trainer.

FIG. 7 a front upper right isometric view of the handheld meditation trainer; and,

FIG. 8 a rear upper left isometric view of the handheld meditation trainer.

The broken lines shown in the FIGURES depict portions of the handheld meditation trainer that form no part of the claimed design.

1 Claim, 5 Drawing Sheets



(56)

References Cited

U.S. PATENT DOCUMENTS

D920,622 S * 5/2021 Bar Zeev D99/25
D925,720 S * 7/2021 Lee D23/366
D933,248 S * 10/2021 Liu D24/200

OTHER PUBLICATIONS

Hellocore, "Core", Dec. 24, 2019. <https://www.hellocore.com/>. Shown on p. 1. (Year: 2019).*

* cited by examiner

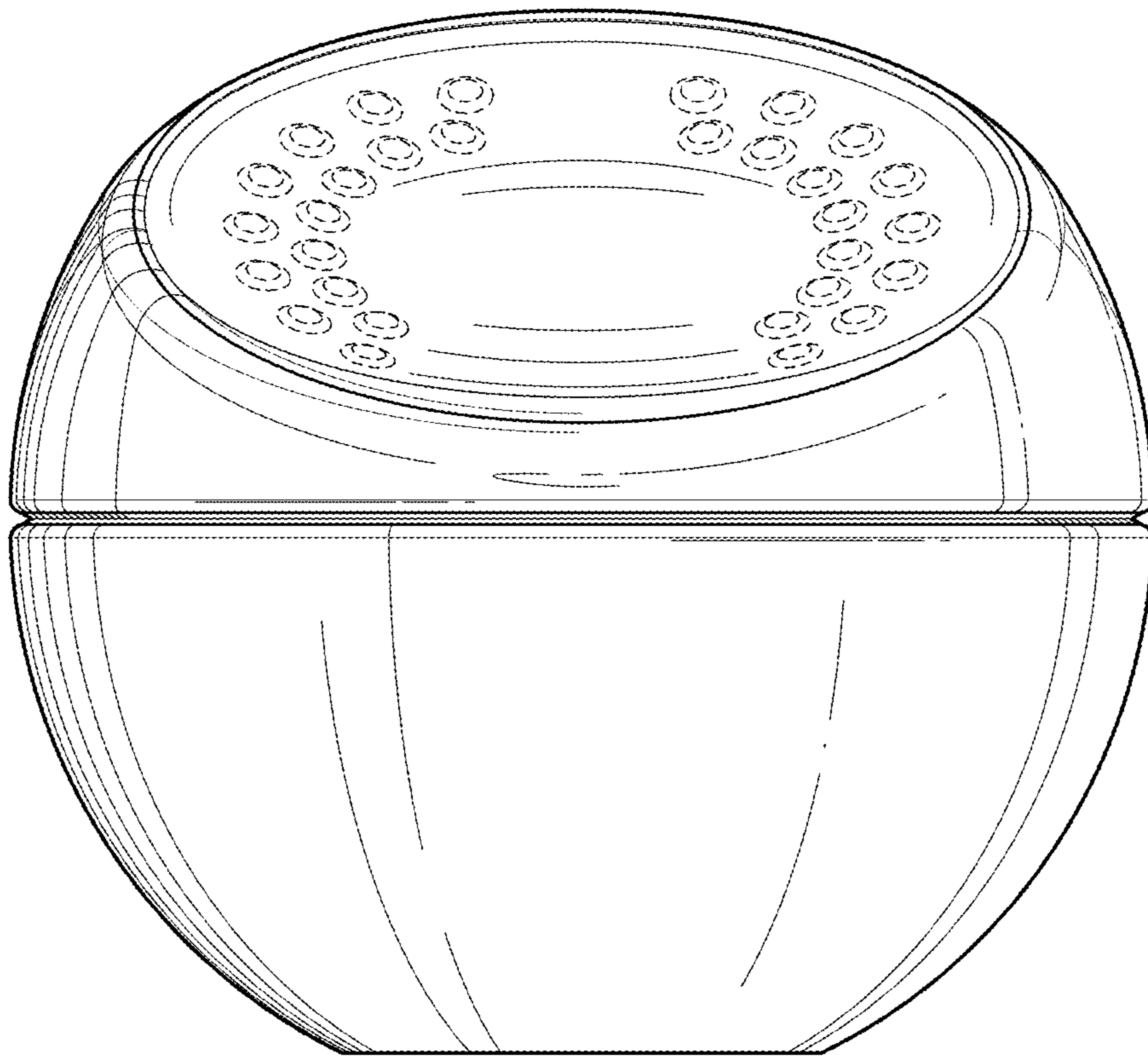


FIG. 1

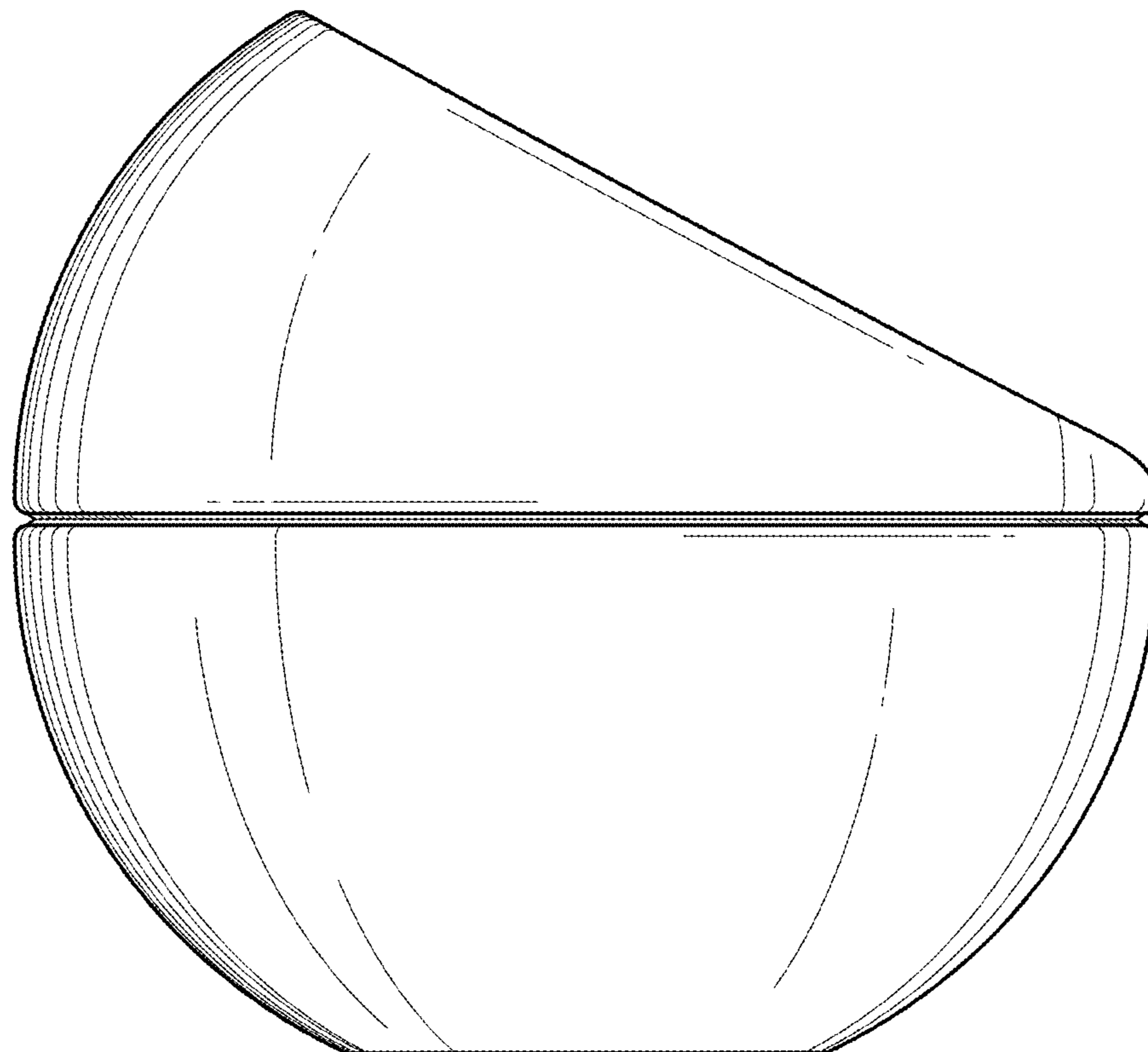


FIG. 2

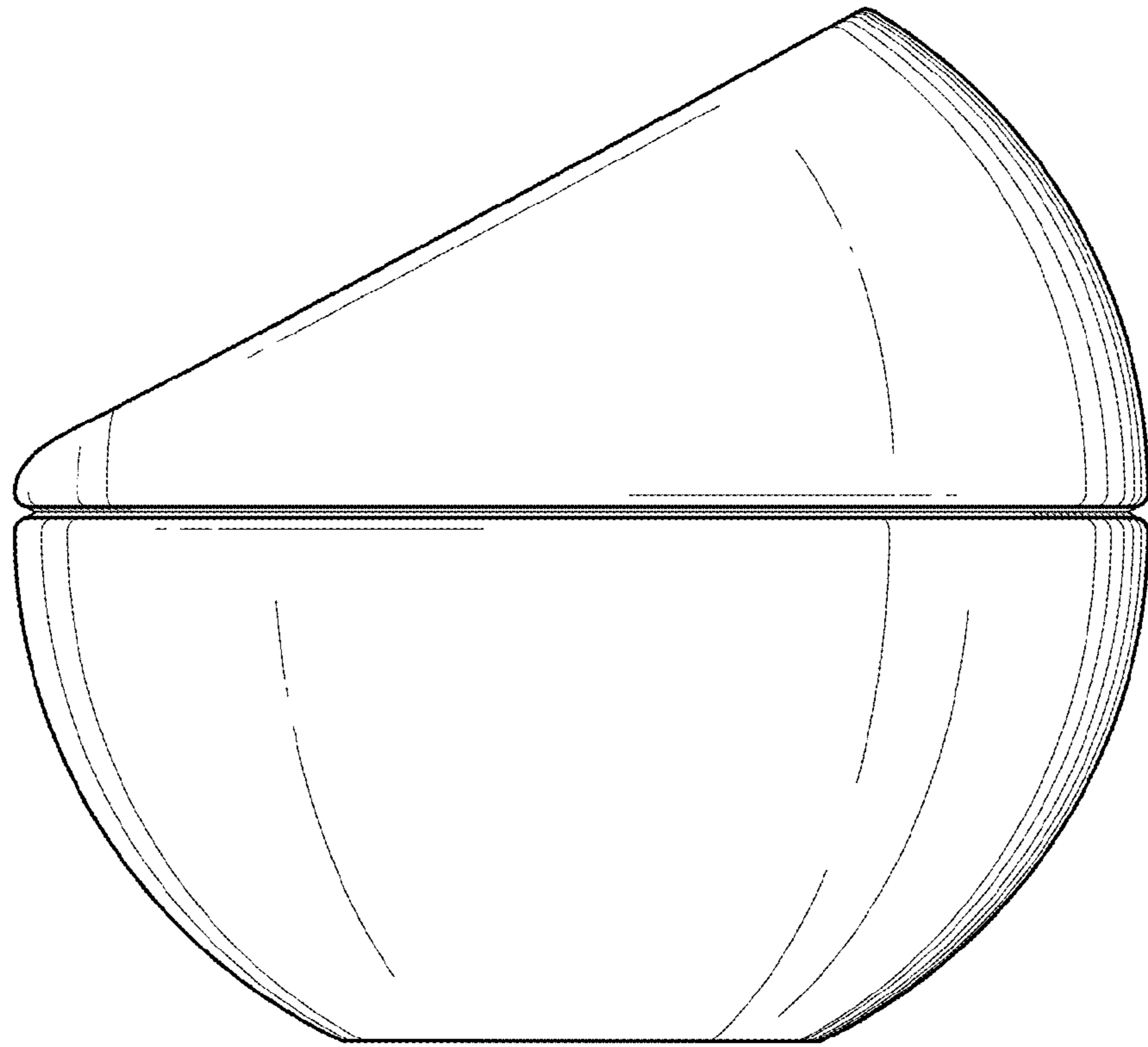


FIG. 3

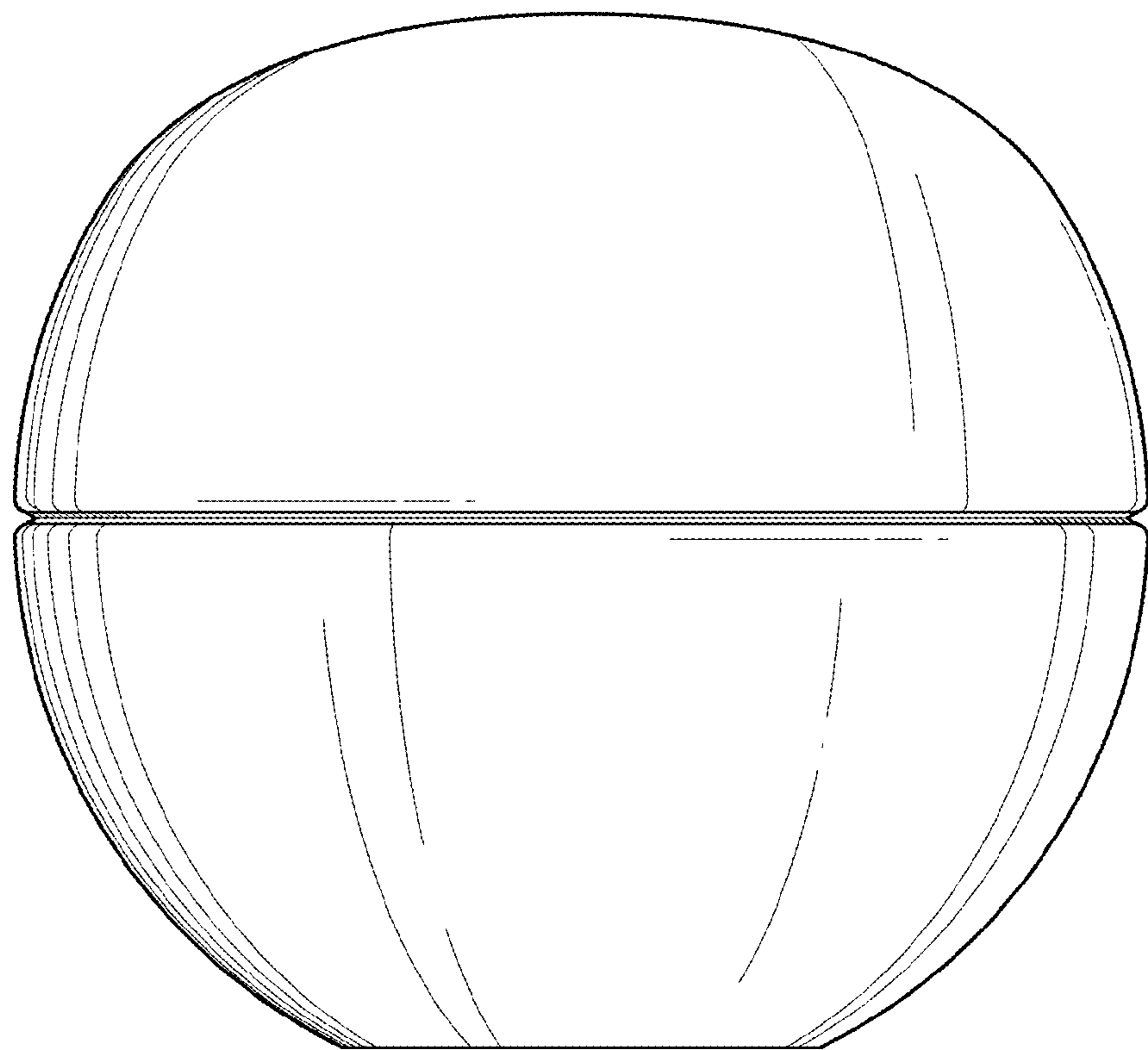


FIG. 4

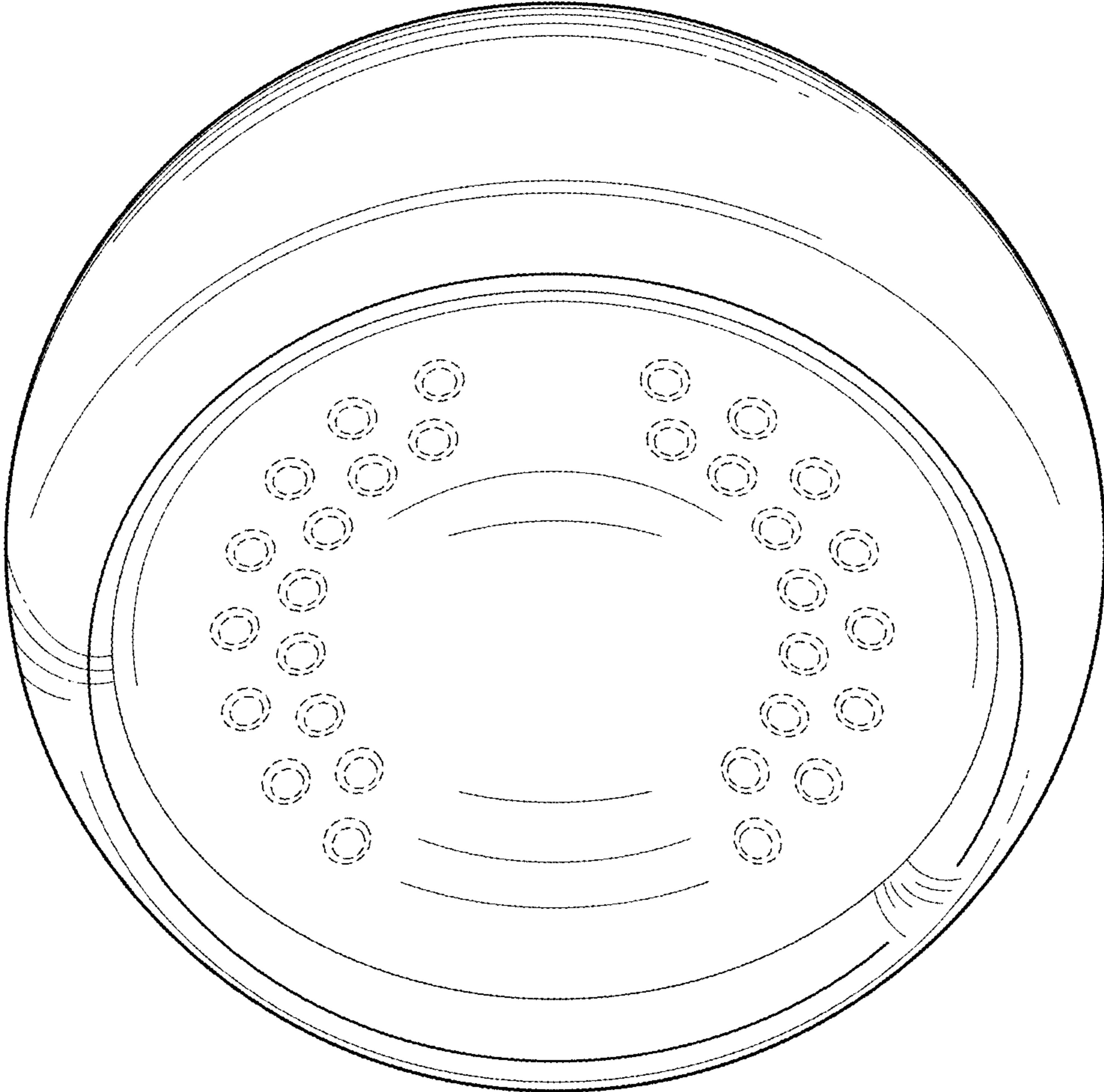


FIG. 5

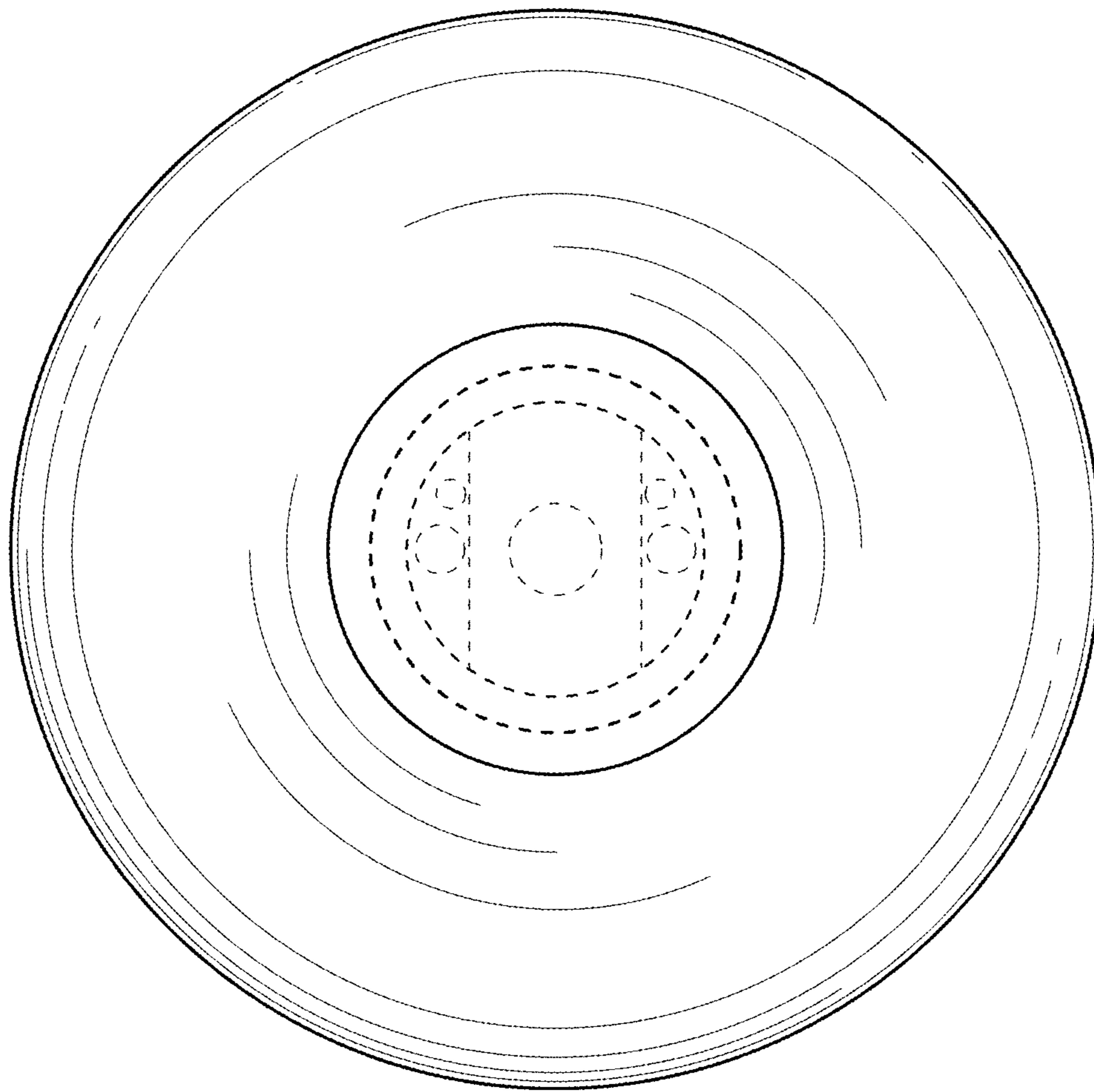


FIG. 6

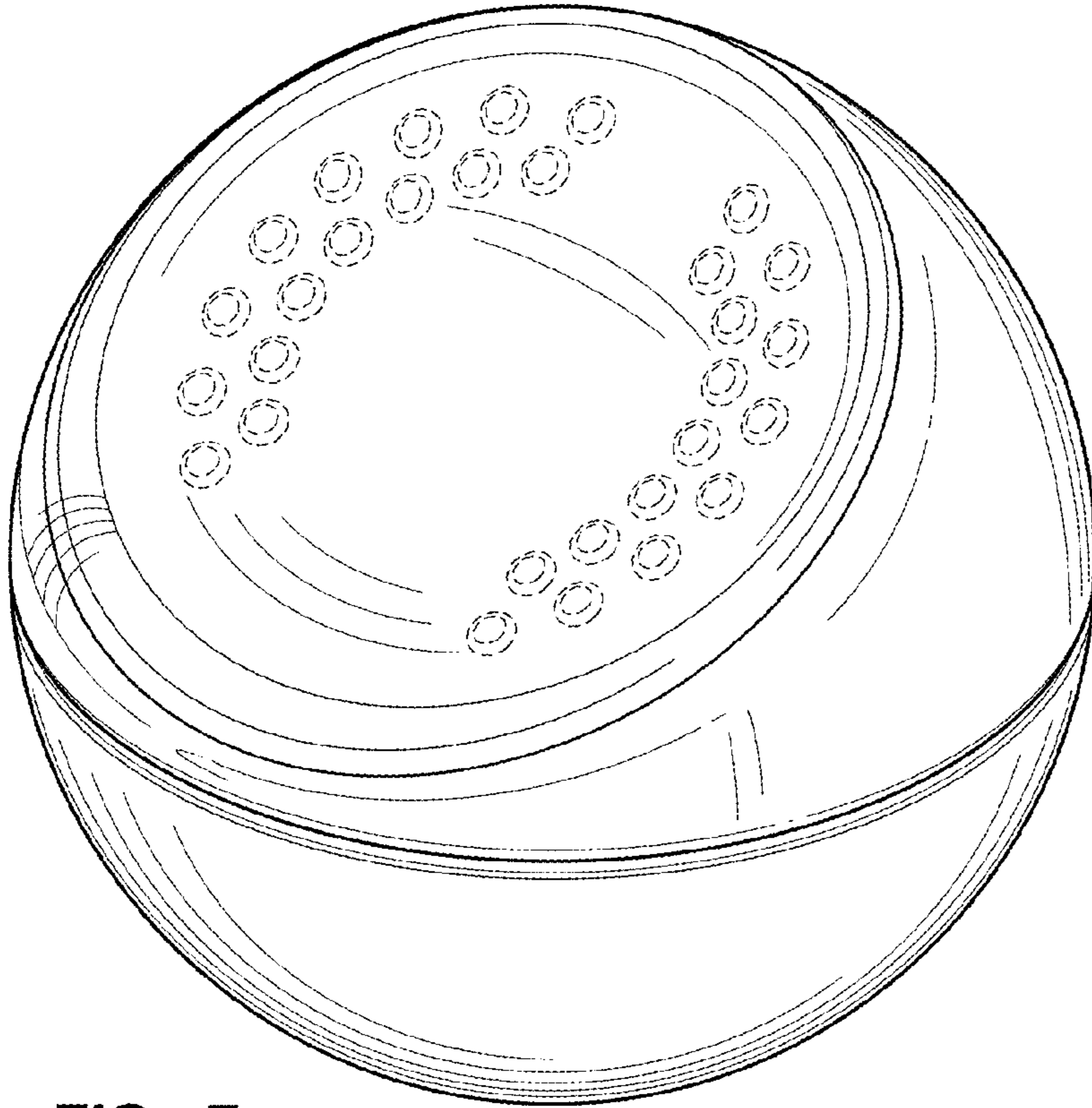


FIG. 7

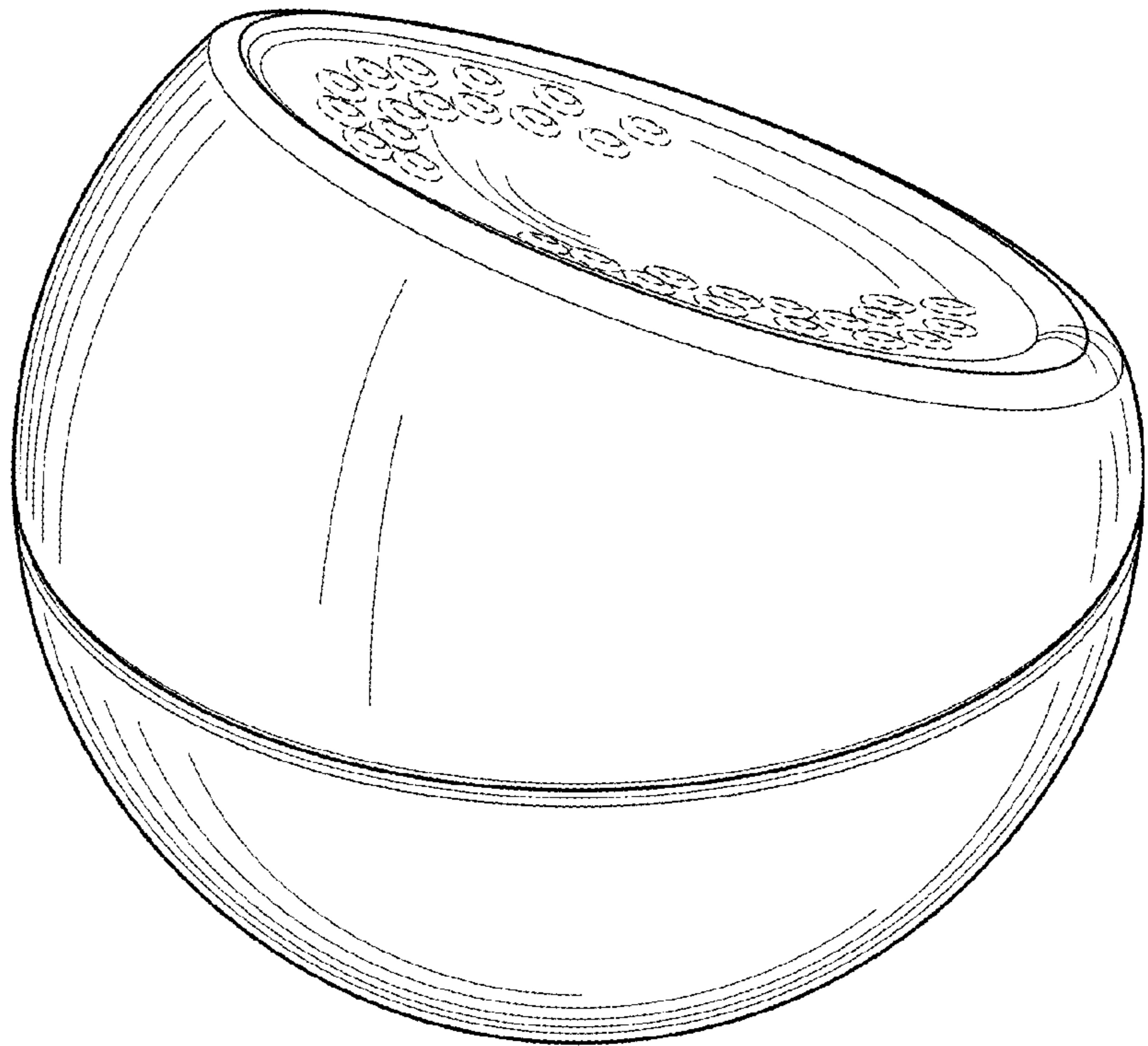


FIG. 8