



US00D958383S

(12) **United States Design Patent**
Yoon

(10) **Patent No.:** **US D958,383 S**
(45) **Date of Patent:** **** Jul. 19, 2022**

(54) **LIGHT THERAPY APPARATUS**
(71) Applicant: **LG ELECTRONICS INC.**, Seoul (KR)
(72) Inventor: **Sanghoon Yoon**, Seoul (KR)
(73) Assignee: **LG ELECTRONICS INC.**, Seoul (KR)

2,441,659 A * 5/1948 Chalmers A61F 9/045
2/12
D150,508 S * 8/1948 Mendelsohn D16/301
4,944,039 A * 7/1990 Dietrich A61F 9/029
2/13
4,944,294 A * 7/1990 Borek, Jr. A41D 13/11
128/201.15
D351,472 S * 10/1994 Mason D24/200
D354,974 S * 1/1995 Wielhouwer D16/301
D375,111 S * 10/1996 Wielhouwer D16/304
5,715,030 A * 2/1998 Quaresima A61F 9/02
2/12
D402,754 S * 12/1998 Berke D24/110.2
(Continued)

(**) Term: **15 Years**
(21) Appl. No.: **35/510,556**

(22) Filed: **Apr. 16, 2020**

(80) **Hague Agreement Data**
Int. Filing Date: **Apr. 16, 2020**
Int. Reg. No.: **DM/208308**
Int. Reg. Date: **Apr. 16, 2020**
Int. Reg. Pub. Date: **Oct. 16, 2020**

(30) **Foreign Application Priority Data**

Oct. 31, 2019 (KR) 30-2019-0051713

(51) **LOC (13) Cl.** **24-01**

(52) **U.S. Cl.**
USPC **D24/209; D24/110.2**

(58) **Field of Classification Search**
USPC D2/872, 876, 879, 882; D24/172, 209,
D24/210, 206, 110.1, 110.2;
D29/102-109
CPC A41D 13/11; A41D 13/1107;
A41D 13/1161; A45D 44/12
See application file for complete search history.

(56) **References Cited**

U.S. PATENT DOCUMENTS

D142,237 S * 8/1945 Goldberg D16/301
2,433,590 A * 12/1947 Barr G02C 9/02
2/12

OTHER PUBLICATIONS

The Korea Herald. LG Electronics unveils eye skin care device in S. Korea. Oct. 21, 2020. <http://www.koreaherald.com/view.php?ud=20201021000359> (Year: 2020).*

(Continued)

Primary Examiner — Darcey E Gottschalk
(74) *Attorney, Agent, or Firm* — Birch, Stewart, Kolasch & Birch, LLP

(57) **CLAIM**

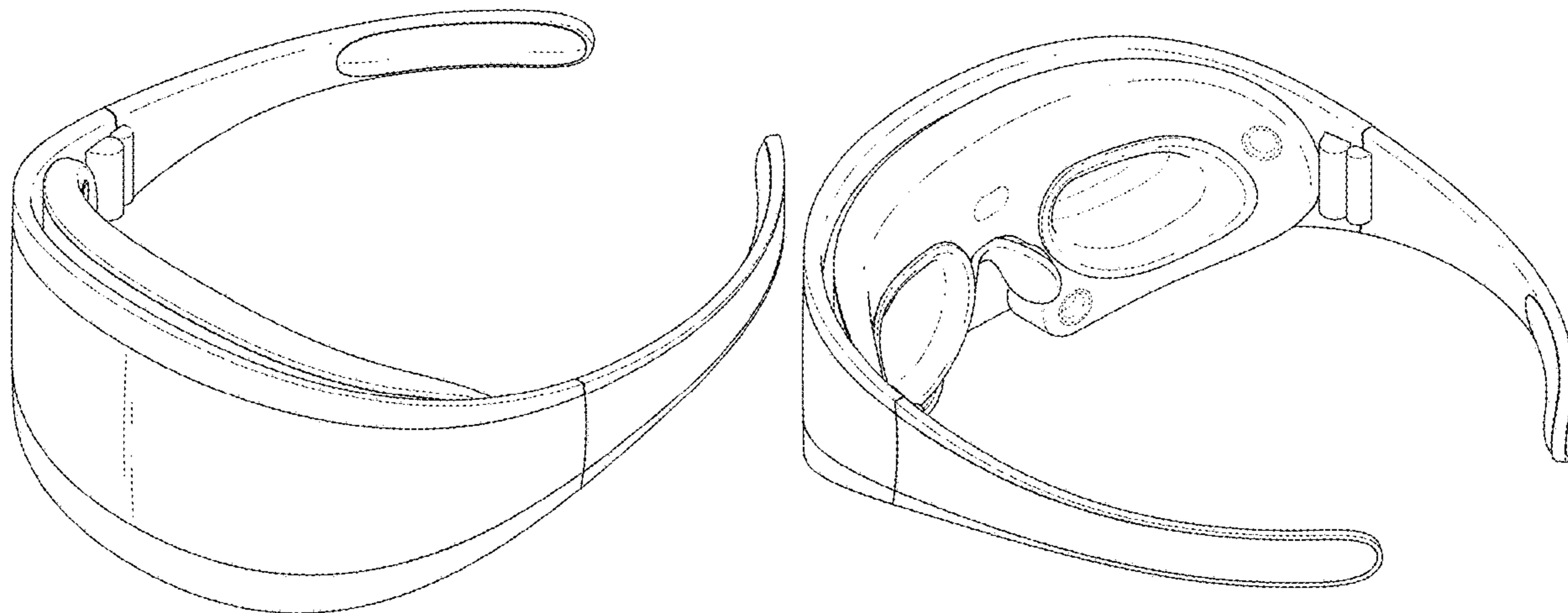
The ornamental design for a light therapy apparatus, as shown and described.

DESCRIPTION

- 1. Light therapy apparatus
- 1.1 : Perspective
- 1.2 : Rear perspective view
- 1.3 : Front
- 1.4 : Back
- 1.5 : Left
- 1.6 : Right
- 1.7 : Top
- 1.8 : Bottom

The broken lines depict portions of the light therapy apparatus that form no part of the claimed design.

1 Claim, 8 Drawing Sheets



(56)

References Cited

U.S. PATENT DOCUMENTS

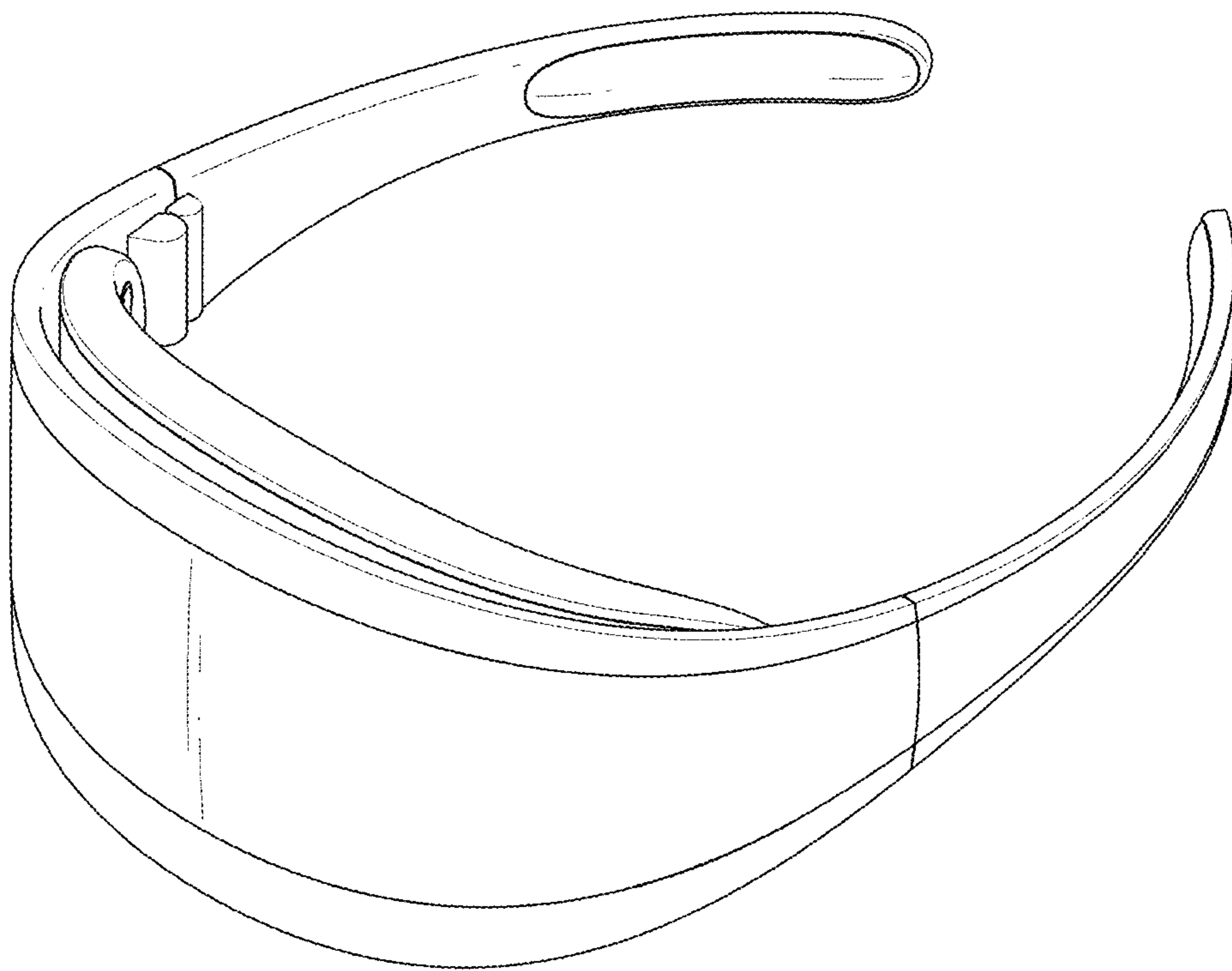
D432,657 S * 10/2000 Haynes D24/206
D450,833 S * 11/2001 Olivieri D16/311
D676,139 S * 2/2013 Golzari D24/206
D693,015 S * 11/2013 Dubbe D24/206
D882,755 S * 4/2020 Huang D24/110.1
10,881,157 B1 * 1/2021 Anderson A41D 13/1107
10,942,356 B2 * 3/2021 Hwang G06T 7/521
11,074,754 B2 * 7/2021 Lee G06F 1/1686
D927,087 S * 8/2021 Fukuyama D29/122
D930,254 S * 9/2021 Hong D29/110
2009/0288241 A1 * 11/2009 Fullerton A61F 9/027
2/421
2019/0086669 A1 * 3/2019 Percival H01L 27/156

OTHER PUBLICATIONS

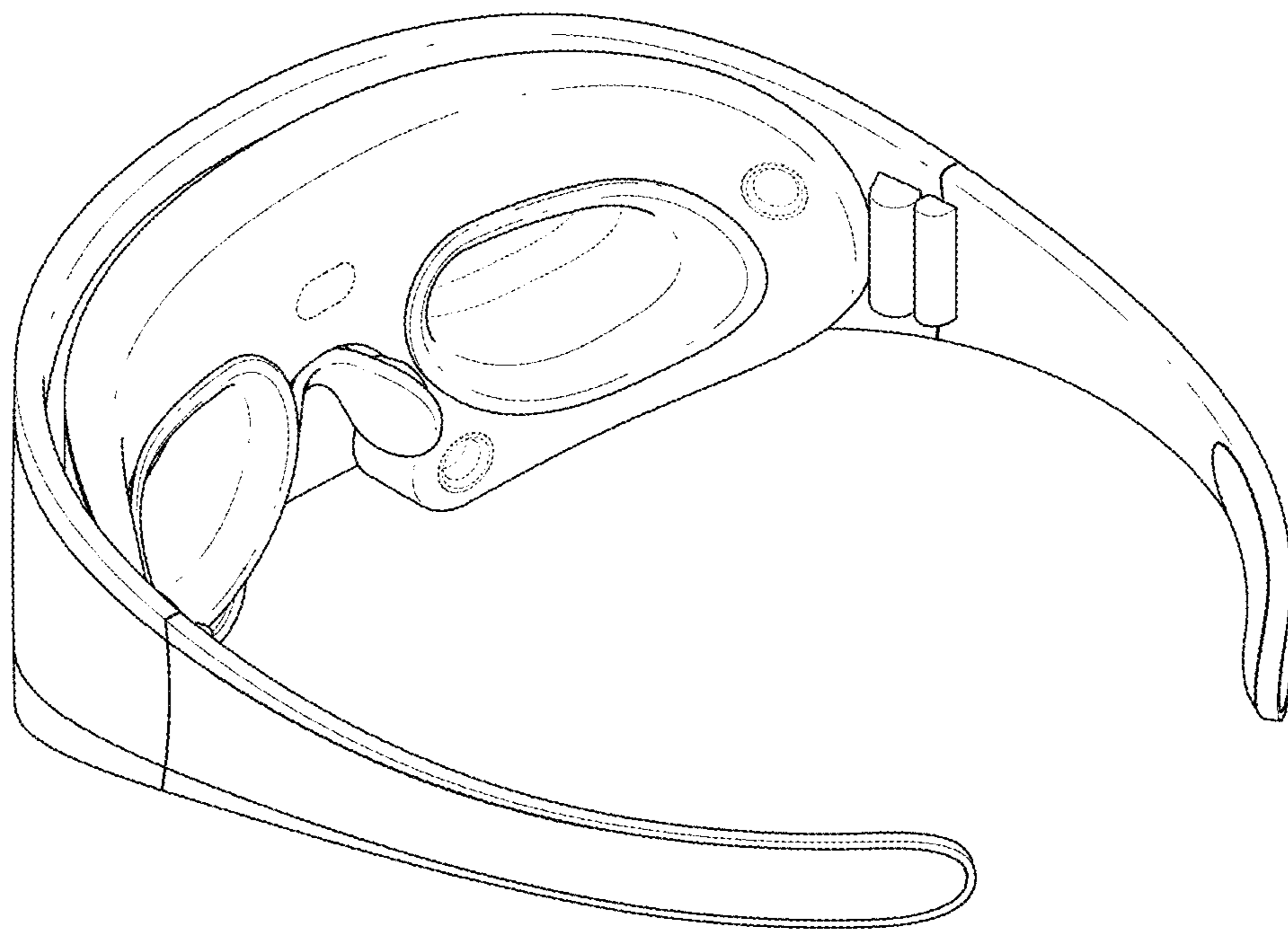
Techieness. LG unveils eye skin care device in S. Korea—Coolest Gadget. Nov. 16, 2020. <https://www.techieness.org/post/lg-unveils-eye-skin-care-device-in-s-korea-coolest-gadget> (Year: 2020).*

* cited by examiner

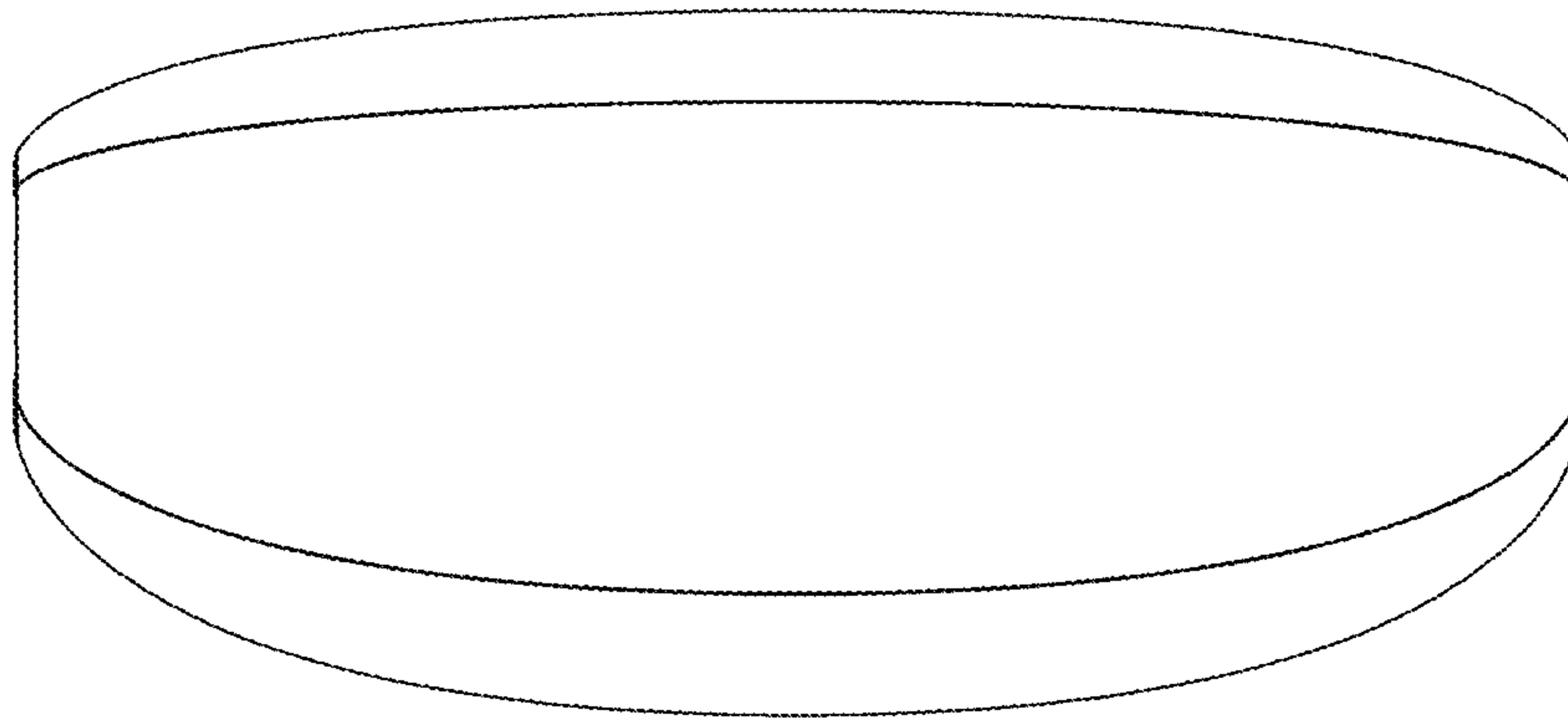
1.1



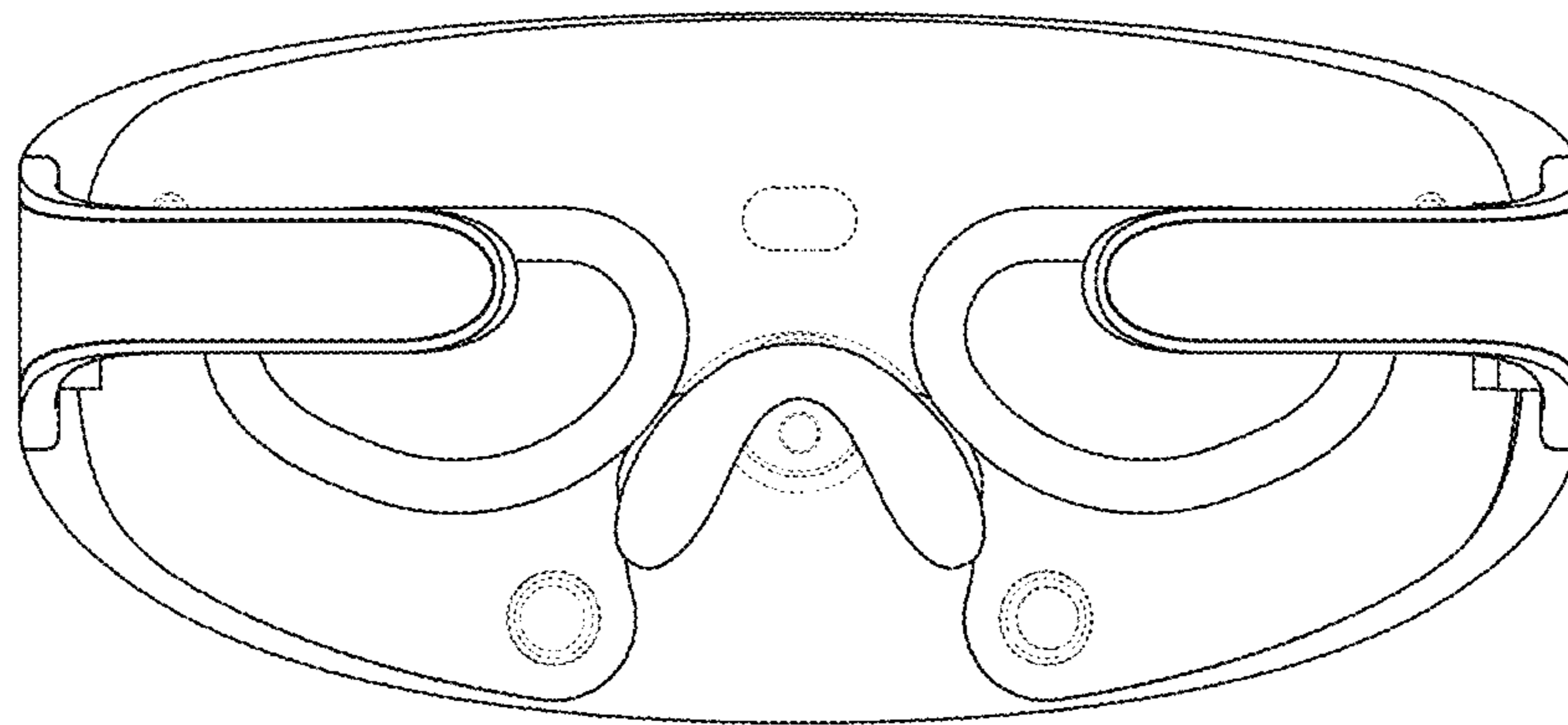
1.2



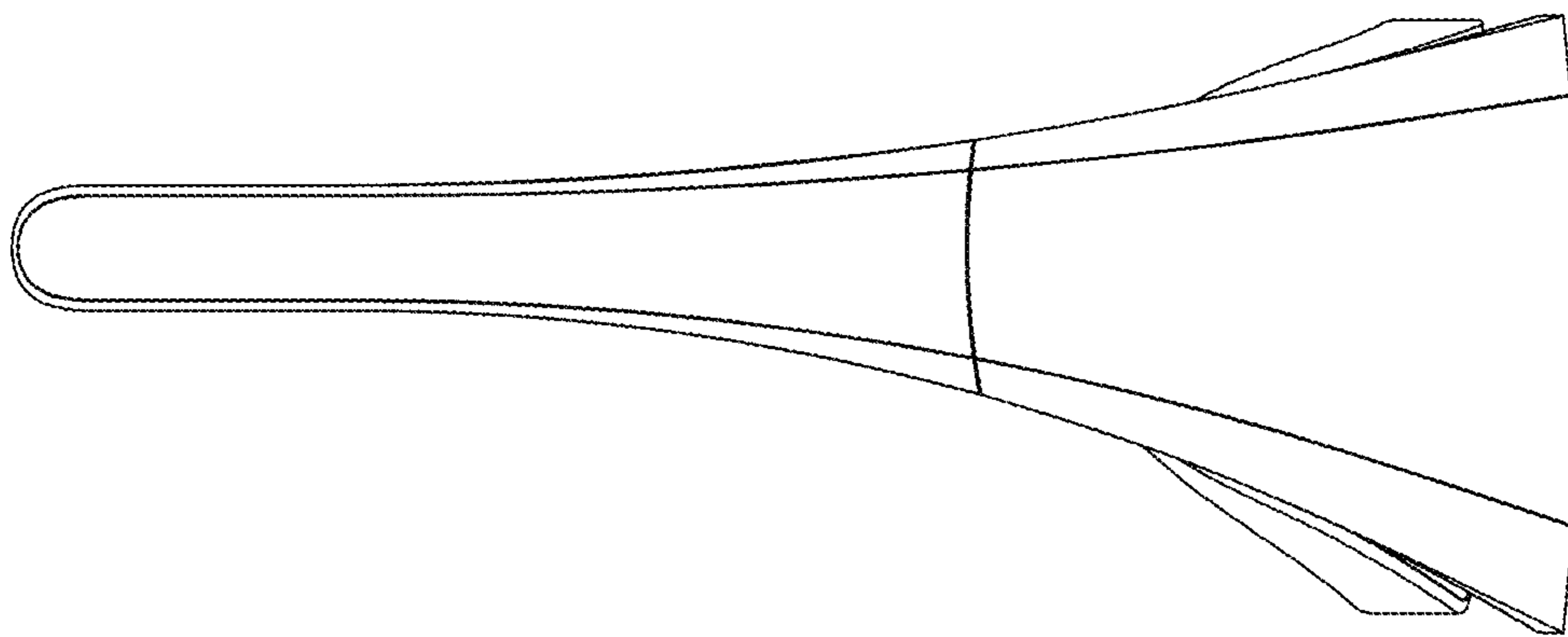
1.3



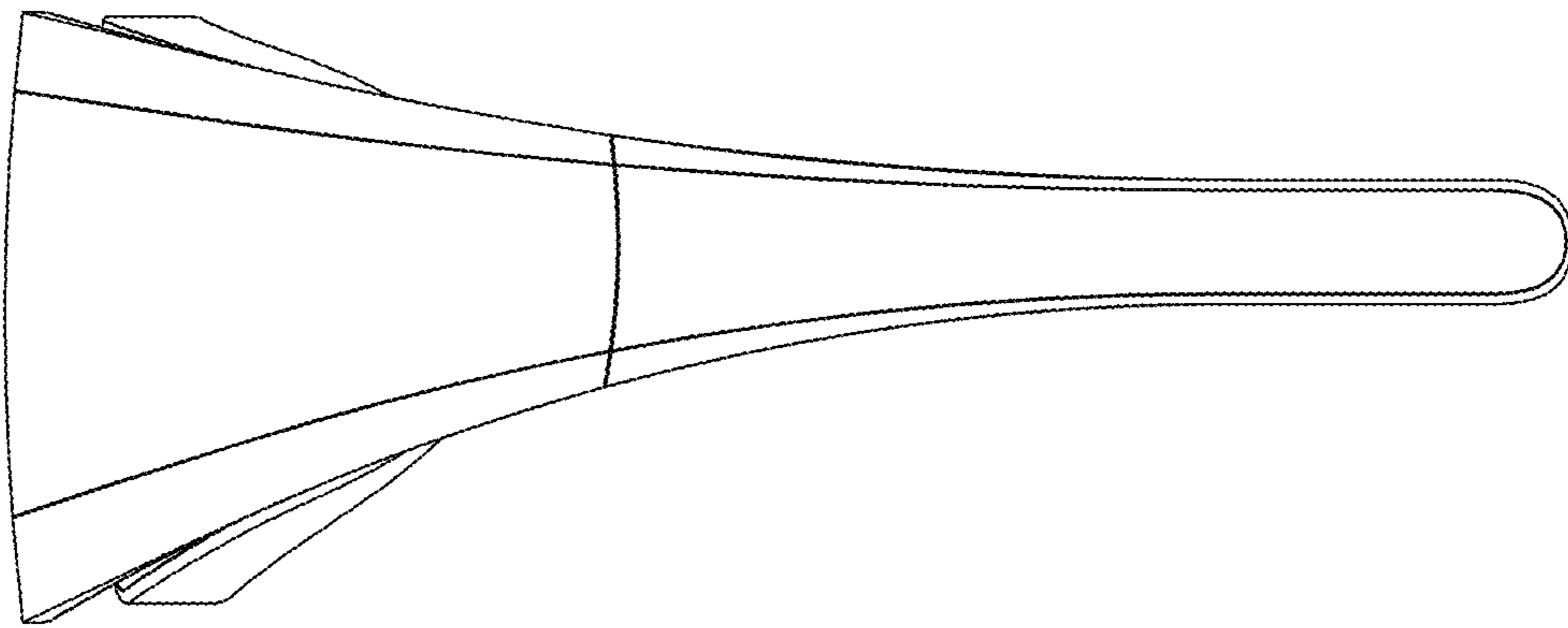
1.4



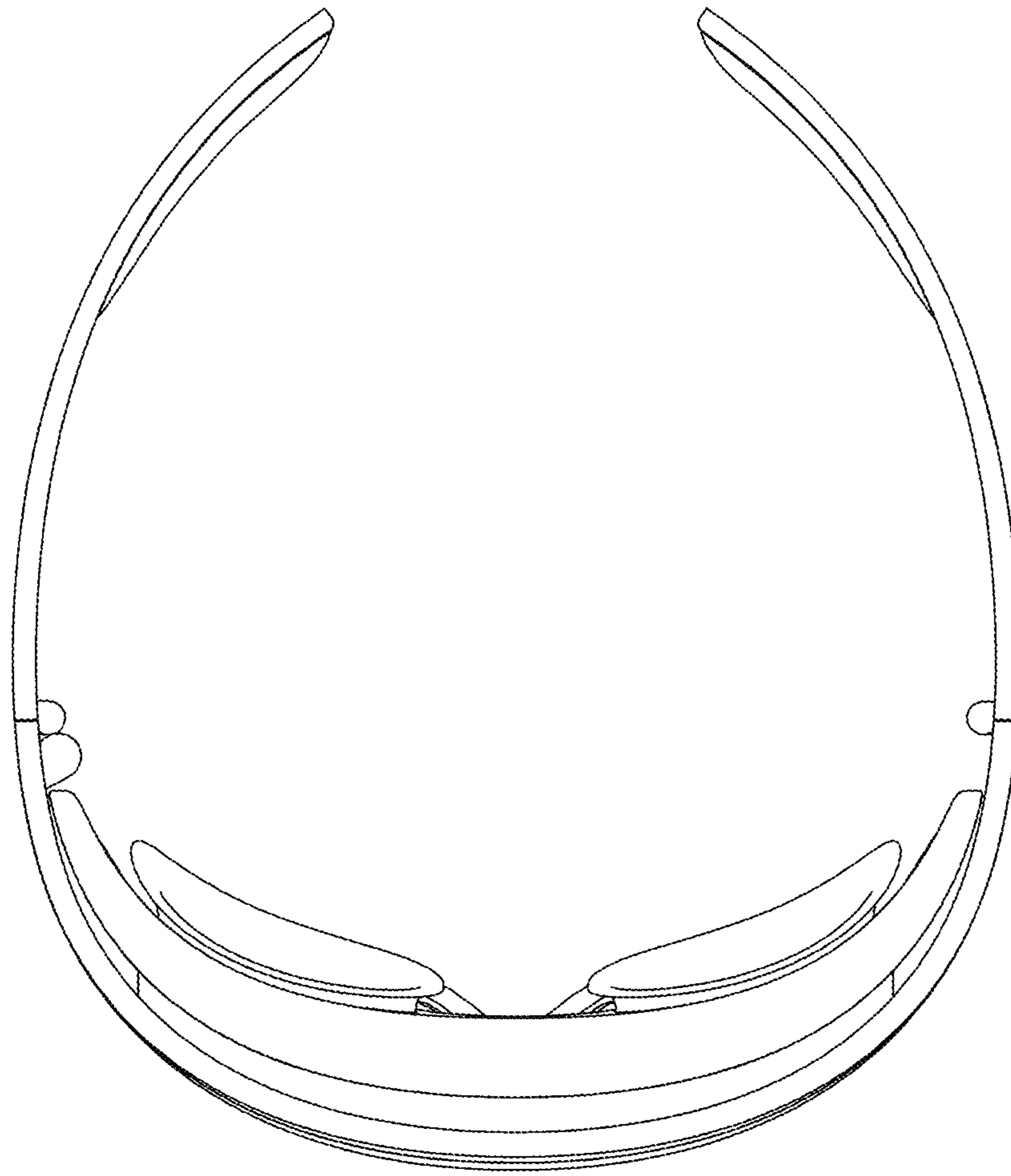
1.5



1.6



1.7



1.8

