



US00D958380S

(12) **United States Design Patent** (10) **Patent No.:** **US D958,380 S**
Peng (45) **Date of Patent:** **** Jul. 19, 2022**

(54) **PACIFIER CASE**
(71) Applicant: **SHENZHEN KEAN SILICONE PRODUCT CO., LTD**, Shenzhen (CN)
(72) Inventor: **Pandian Peng**, Shenzhen (CN)
(73) Assignee: **SHENZHEN KEAN SILICONE PRODUCT CO., LTD**, Shenzhen (CN)

2005/0065551 A1* 3/2005 Rosuck A61J 17/113
606/234
2006/0226044 A1* 10/2006 Lobl A61J 17/113
206/438
2010/0016895 A1* 1/2010 Eisenberg A61J 17/001
606/234
2013/0089276 A1* 4/2013 Noble A61J 17/113
383/42
2015/0272832 A1* 10/2015 Diamond A61J 17/111
606/236

(**) Term: **15 Years**

OTHER PUBLICATIONS

(21) Appl. No.: **29/769,437**

“Nibbling: Silicone Pacifier Case”. Found online Apr. 12, 2022 at facebook.com. Reference dated Feb. 15, 2021. Retrieved from <https://www.facebook.com/nibBLING/photos/2307387812727824/>.*

(22) Filed: **Feb. 5, 2021**

“Laneyli: Silicone Pacifier Case”. Found online Apr. 12, 2022 at amazon.com. Reference dated Mar. 29, 2021. Retrieved from <https://www.amazon.com/LANEYLI-Silicone-Pacifier-Activities-Pineapple/dp/B08RDPLBF8/>.*

(30) **Foreign Application Priority Data**

Dec. 7, 2020 (CN) 202030751643.6

(51) **LOC (13) Cl.** **24-04**

(52) **U.S. Cl.**
USPC **D24/194; D3/301; D24/193**

(58) **Field of Classification Search**
USPC D24/193, 194, 195, 196, 197, 199;
D30/160; D21/625, 627, 659; D7/392.1;
D9/442; D3/293, 301
CPC A61J 17/113; A61J 17/111
See application file for complete search history.

(Continued)

Primary Examiner — Kendra Leslie Hamilton

(57) **CLAIM**

The ornamental design for a pacifier case, as shown and described.

(56) **References Cited**

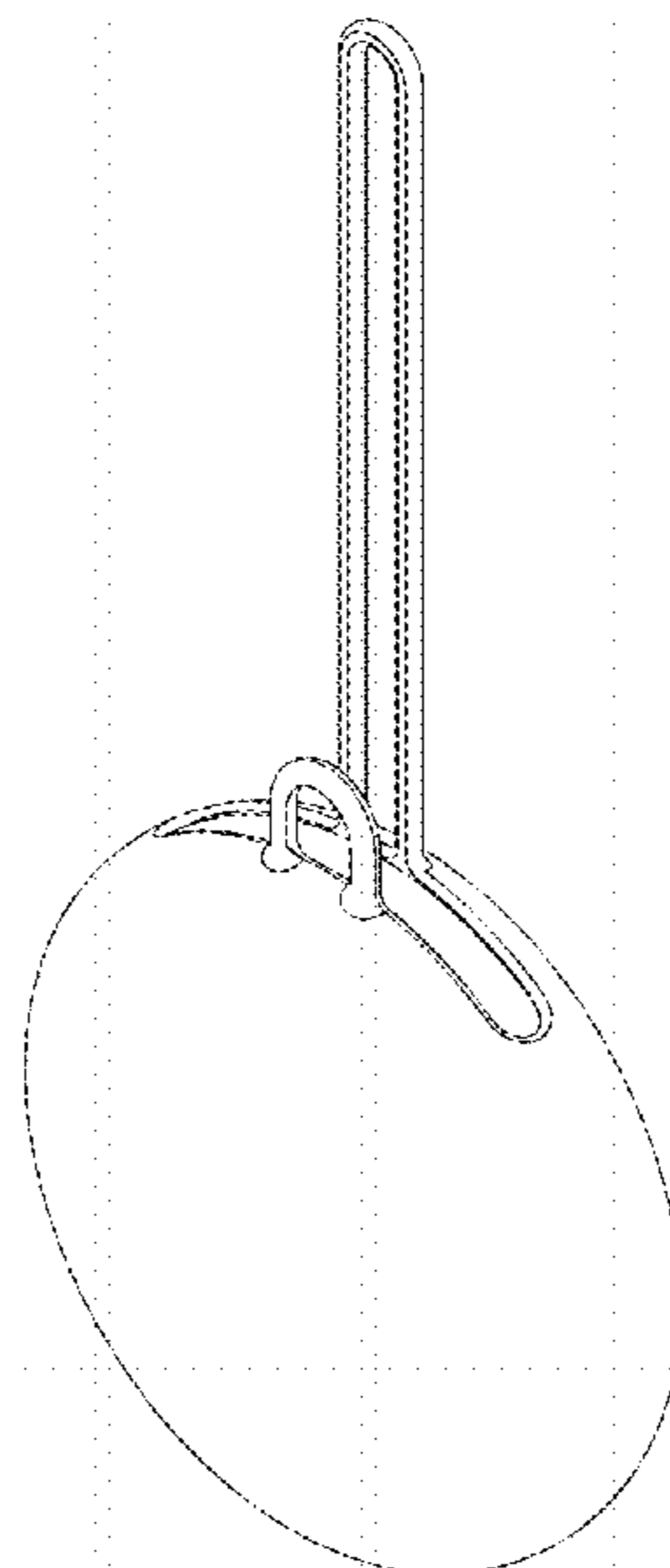
U.S. PATENT DOCUMENTS

D275,993 S * 10/1984 Ryan D24/194
D423,675 S * 4/2000 Ramos, IV D24/194
D452,373 S * 12/2001 Horntrich A61J 17/113
D9/428
D469,177 S * 1/2003 Rohrig A61J 17/113
D24/124
D491,364 S * 6/2004 Vish D3/218
D581,540 S * 11/2008 Nielsen D24/194
D797,449 S * 9/2017 Peng D3/301
9,883,988 B1 * 2/2018 Kumbasi A61J 17/113

DESCRIPTION

FIG. 1 is a bottom, front, right perspective view of a pacifier case showing my new design;
FIG. 2 is a bottom, rear, right perspective view thereof;
FIG. 3 is a front elevational view thereof;
FIG. 4 is a rear elevational view thereof;
FIG. 5 is a left side elevational view thereof;
FIG. 6 is a right side elevational view thereof;
FIG. 7 is a top plan view thereof; and,
FIG. 8 is a bottom plan view thereof.

1 Claim, 8 Drawing Sheets



(56)

References Cited

OTHER PUBLICATIONS

“Ali+Oli: Pacifier Case”. Found online Dec. 30, 2021 at amazon.com. Reference dated Nov. 20, 2019. Retrieved from <https://www.amazon.com/Ali-Oli-Pacifier-Silicone-Soothies/dp/B07WSDF9QV/>.*

“Skip Hop: Paci Egg Case”. Found online Nov. 15, 2016 at amazon.com. Reference dated Sep. 2, 2012. Retrieved from <https://www.amazon.com/Skip-Hop-Double-Pacifier-One-Size/dp/B0070A5DF0/>.*

* cited by examiner

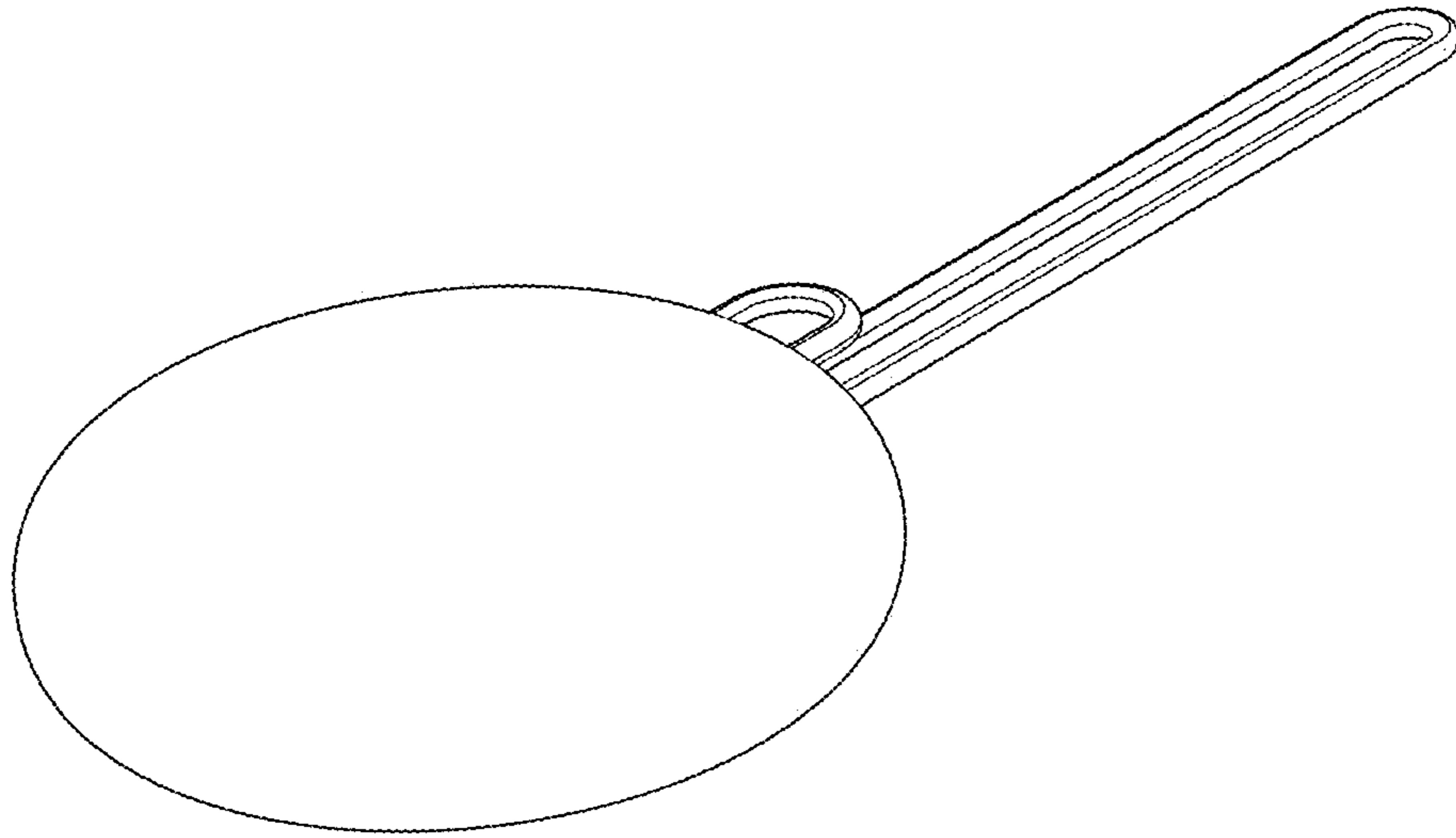


FIG.1

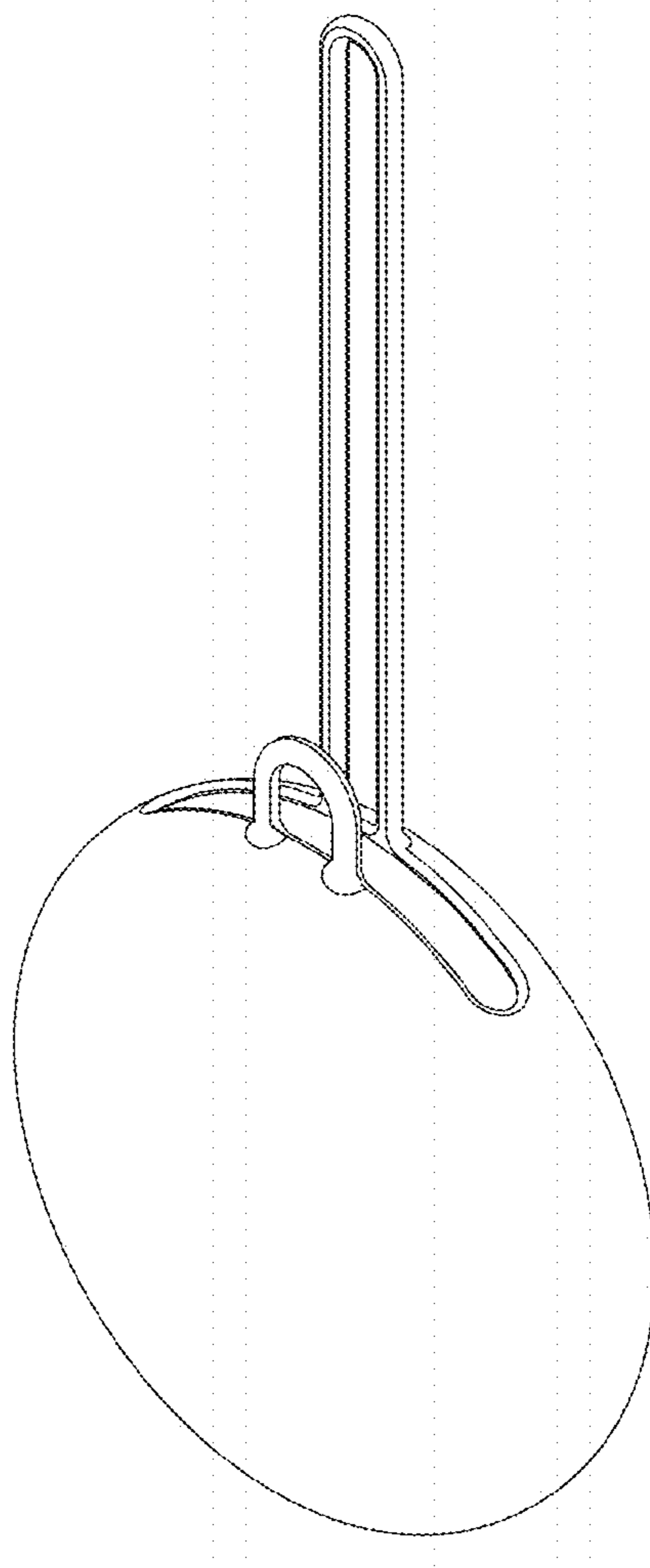


FIG.2

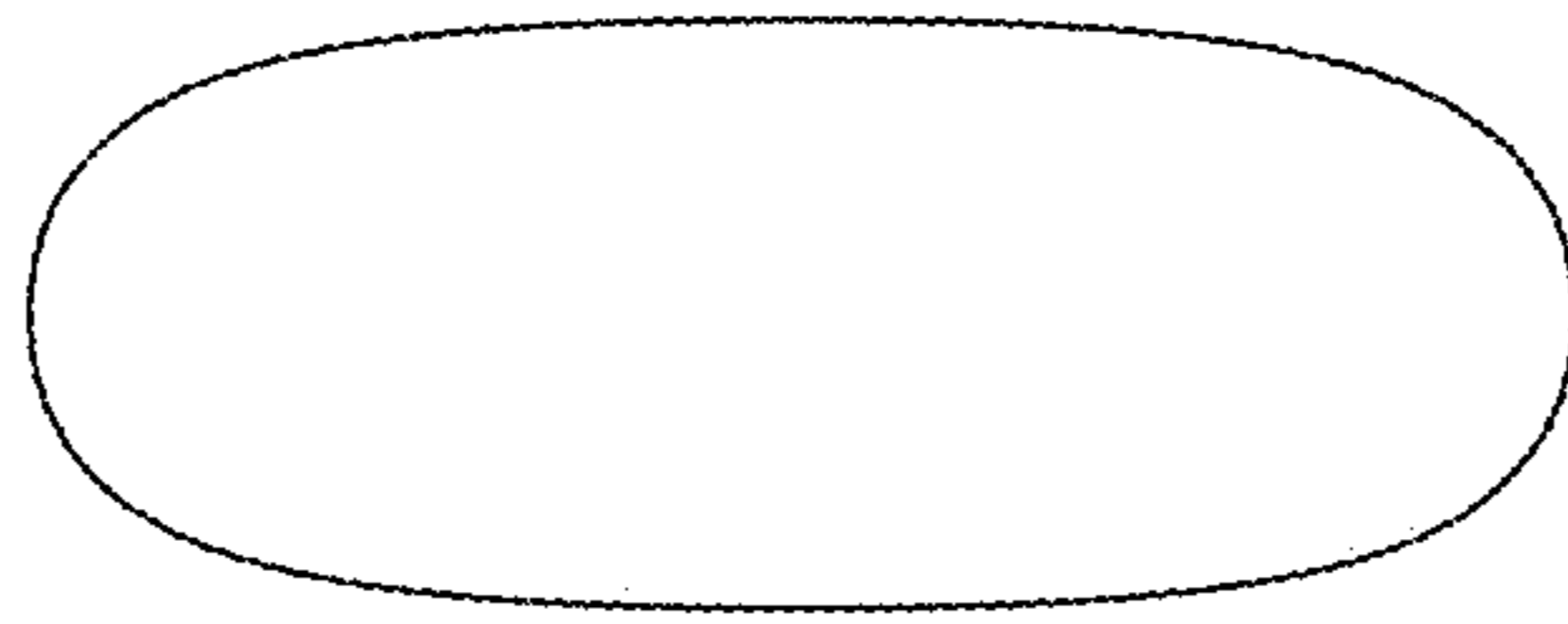


FIG.3

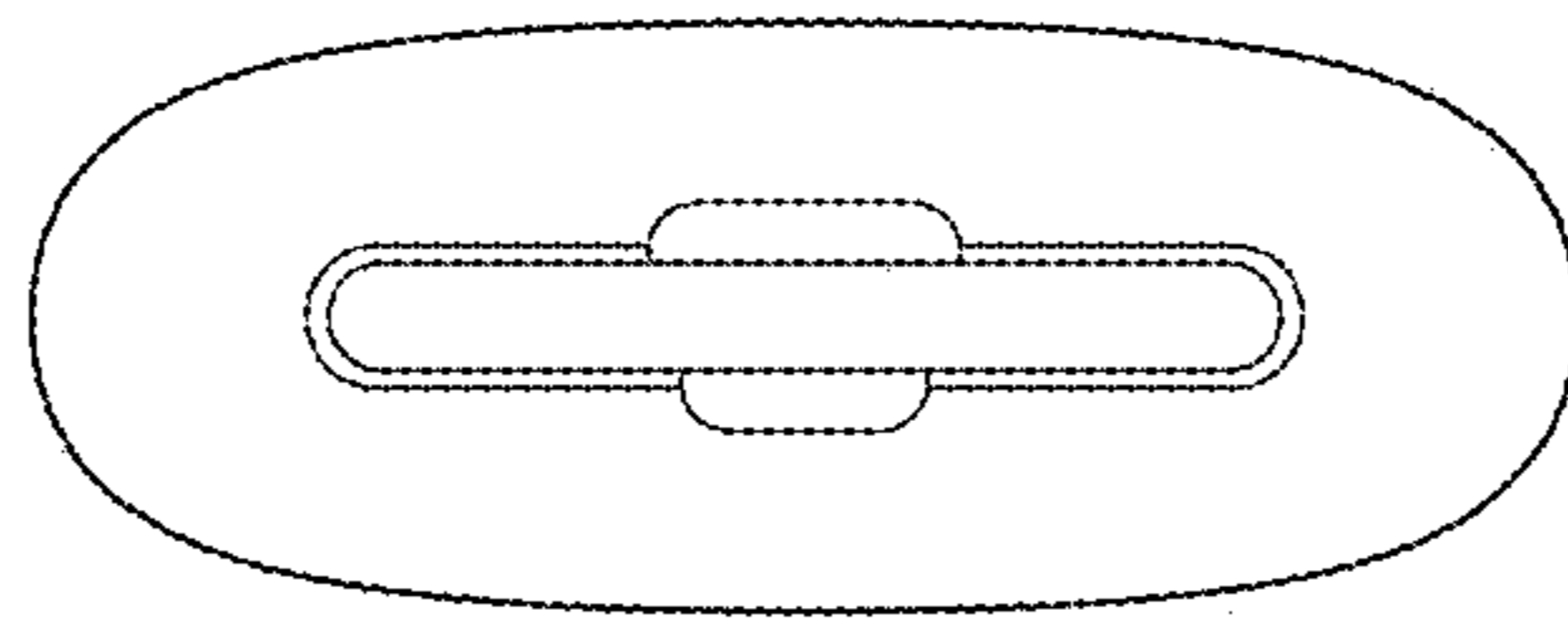


FIG.4

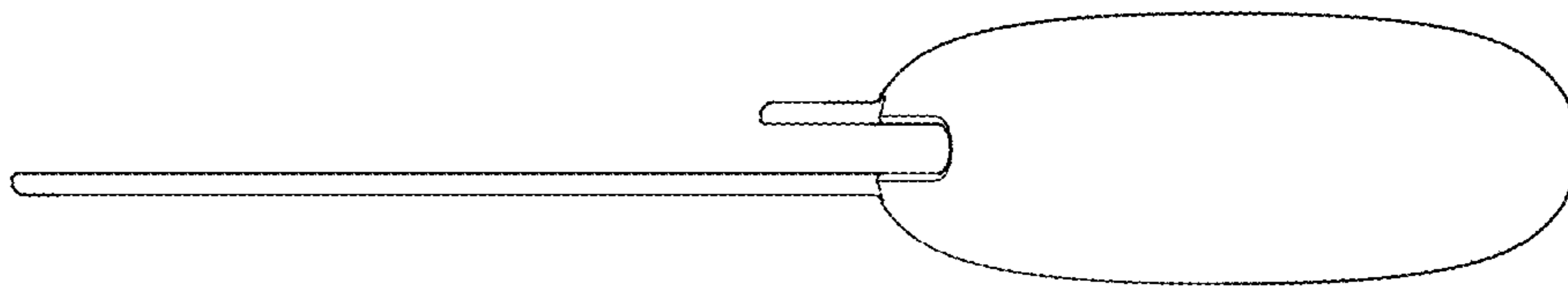


FIG.5

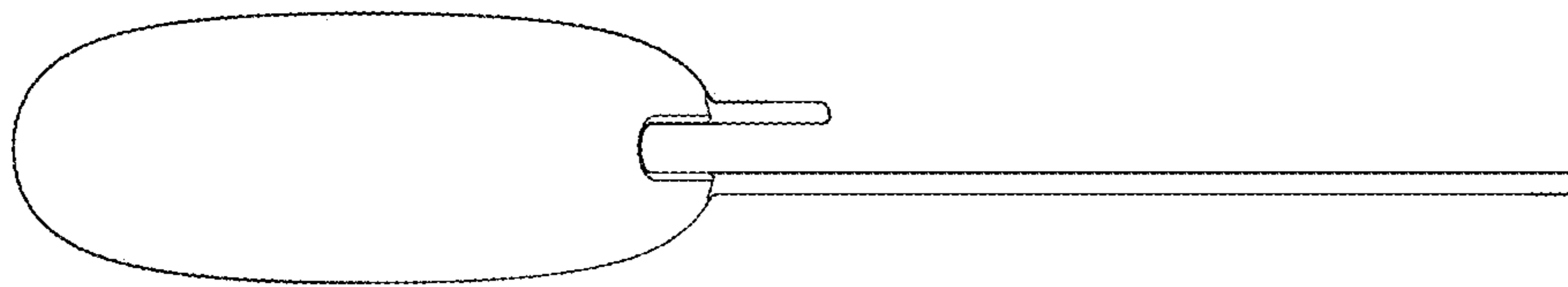


FIG.6

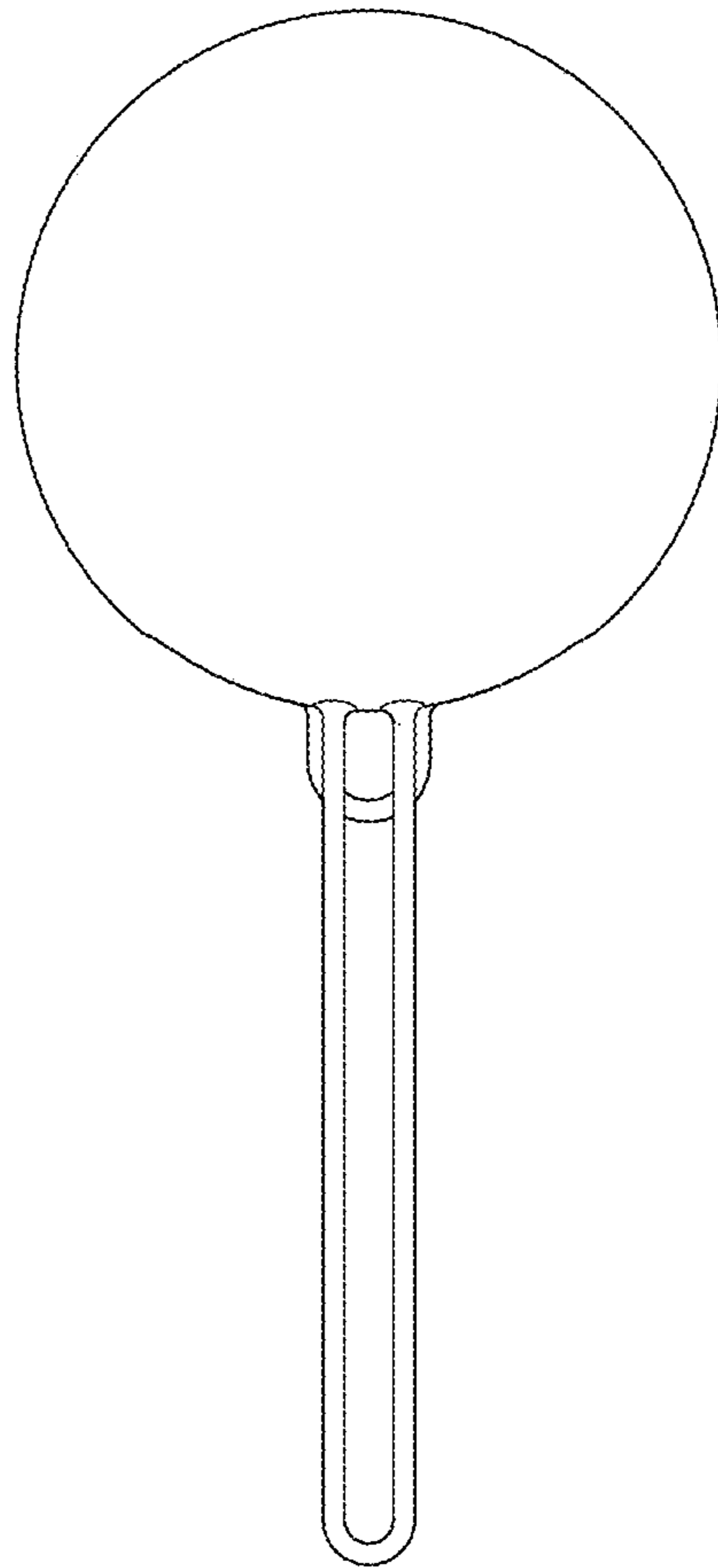


FIG.7

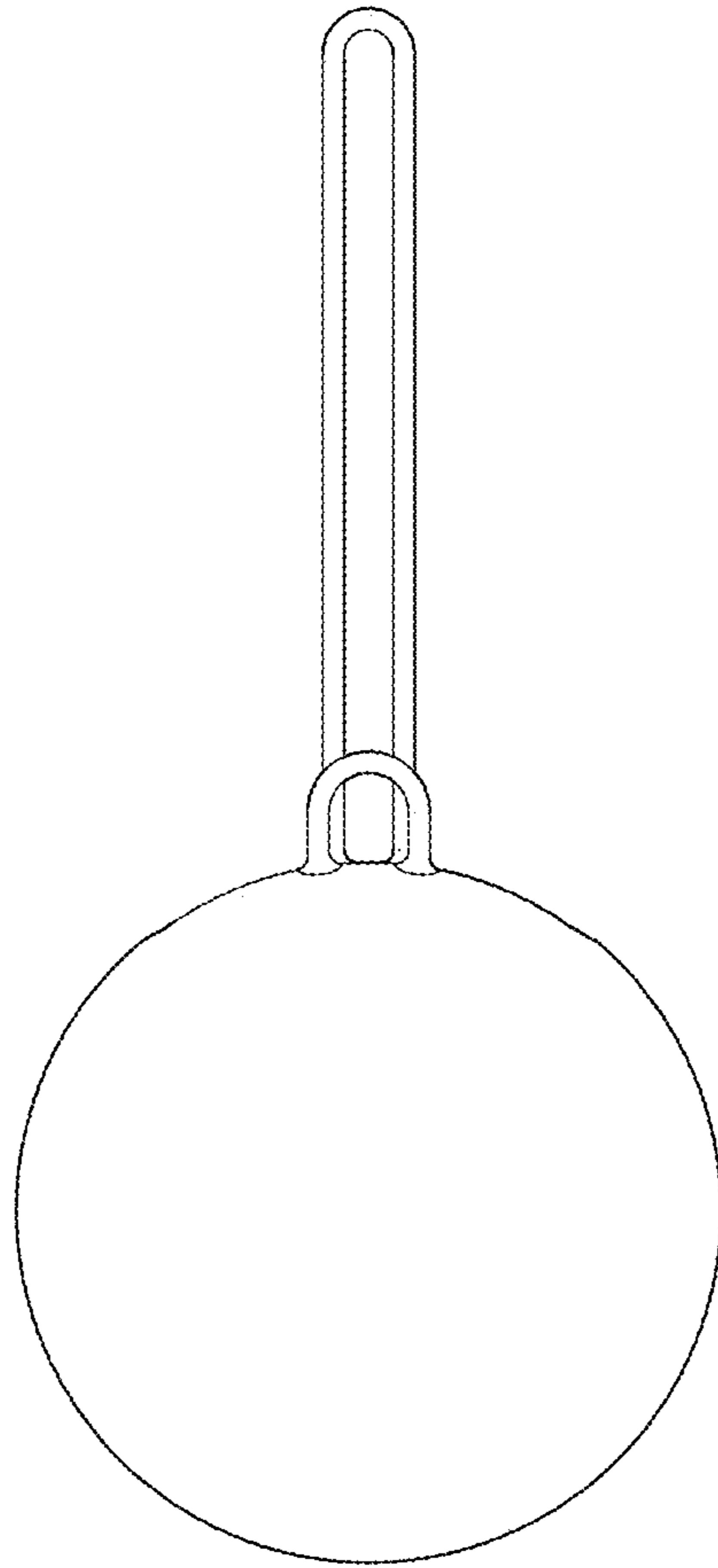


FIG.8