



US00D958378S

(12) **United States Design Patent** (10) **Patent No.:** **US D958,378 S**
Wang et al. (45) **Date of Patent:** **** Jul. 19, 2022**

(54) **NECK BRACE**

FOREIGN PATENT DOCUMENTS

(71) Applicants: **Jiang Wang**, Jiangsu (CN); **Jiangsu Alphay Medical Devices Co., Ltd.**, Jiangsu (CN)

CN 305930001 * 7/2020
CN 306873672 * 10/2021
KR 301110705.0000 * 5/2021

(72) Inventors: **Jiang Wang**, Jiangsu (CN); **Guifeng Yang**, Jiangsu (CN)

OTHER PUBLICATIONS

(73) Assignees: **Jiang Wang**, Jiangsu (CN); **Jiangsu Alphay Medical Devices Co., Ltd.**, Jiangsu (CN)

Alphay Neck Support, Adjustable Neck Brace., Alphay, Amazon, [Post date: Dec. 28, 2021], [Site seen Mar. 29, 2022], Seen at URL: <https://www.amazon.com/ALPHAY-Adjustable-Decompressed-Cervical-Conductive/dp/B09P35W64R> (Year: 2021).*

(Continued)

(**) Term: **15 Years**

Primary Examiner — Natasha Vujcic
Assistant Examiner — Gilbert B Ford

(21) Appl. No.: **29/747,839**

(74) *Attorney, Agent, or Firm* — Raymond Y. Chan; David and Raymond Patent Firm

(22) Filed: **Aug. 25, 2020**

(57) **CLAIM**

(51) **LOC (13) Cl.** **24-02**

The ornamental design for a neck brace, as shown and described.

(52) **U.S. Cl.**

DESCRIPTION

USPC **D24/191**

(58) **Field of Classification Search**

USPC D24/190–191, 200, 206; D29/100, 101.2
CPC .. A61F 5/055; A61F 5/028; A61F 5/03; A61F 5/024; A61F 5/026

See application file for complete search history.

FIG. 1 is a front perspective view of a neck brace showing my new design;
FIG. 2 is a rear perspective view thereof;
FIG. 3 is a front view thereof;
FIG. 4 is a rear view thereof;
FIG. 5 is a left view thereof;
FIG. 6 is a right view thereof;
FIG. 7 is a top view thereof;
FIG. 8 is a bottom view thereof;
FIG. 9 is a left view of the line-of-sight maintaining device in a first use state;
FIG. 10 is a left view of the line-of-sight maintaining device in a second use state; and,
FIG. 11 is a left view of the line-of-sight maintaining device in a third use state.

The broken lines in the drawings illustrate portions of the neck brace and form no part of the claimed design.

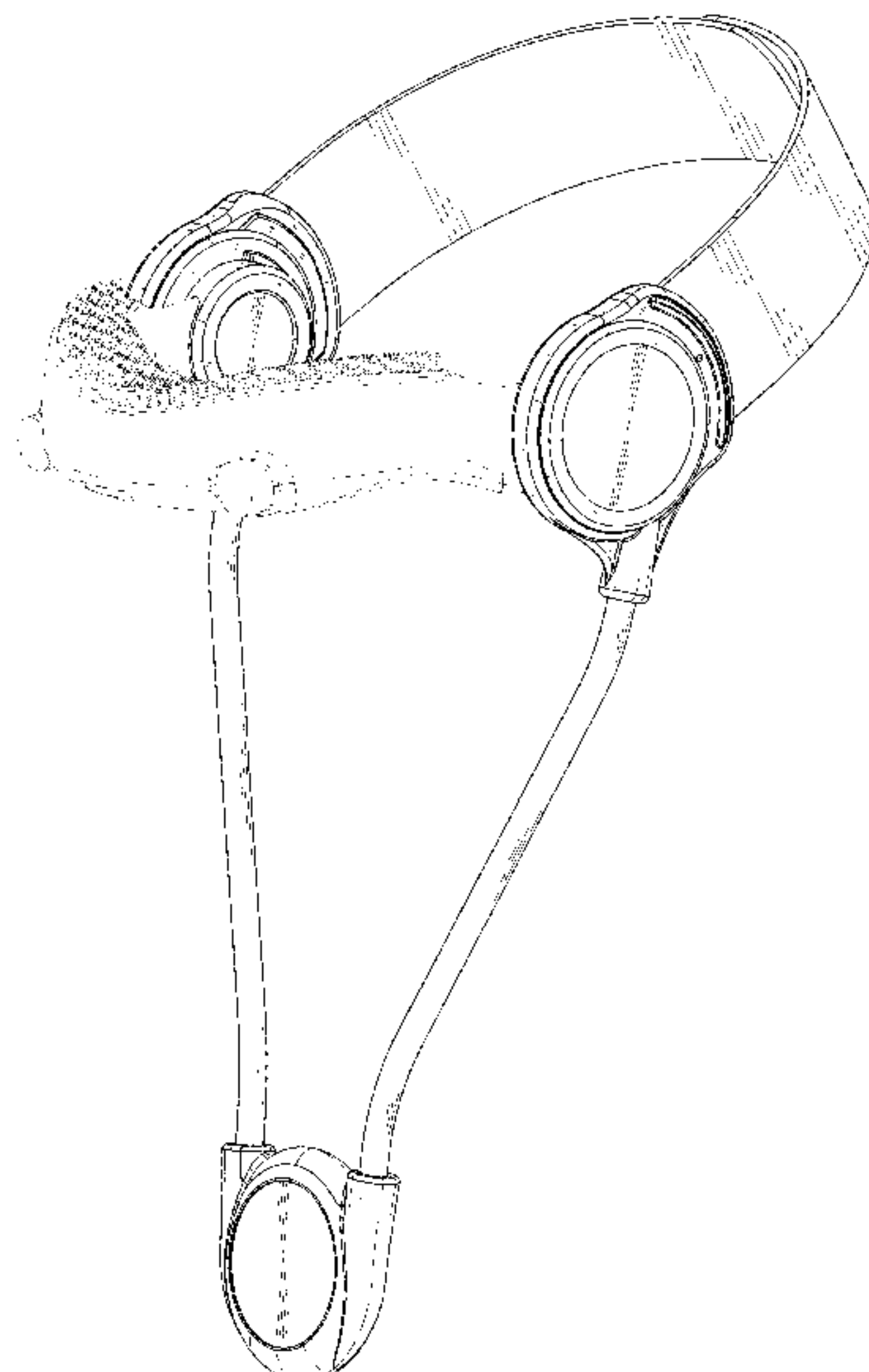
(56) **References Cited**

U.S. PATENT DOCUMENTS

D555,789 S * 11/2007 Norleen D24/134
D670,396 S * 11/2012 Doogan D24/200
8,740,830 B2 * 6/2014 Suarez A61F 5/055
602/18
D745,166 S * 12/2015 Chang D24/186
D752,236 S * 3/2016 Guarraia D24/200
D831,217 S * 10/2018 Geissen D24/168
D884,201 S * 5/2020 Fang D24/206
D907,220 S * 1/2021 Brown D24/191
D907,221 S * 1/2021 Hauser-Raspe D24/200

(Continued)

1 Claim, 11 Drawing Sheets



(56)

References Cited

U.S. PATENT DOCUMENTS

D908,230 S * 1/2021 Chu D24/200
D939,074 S * 12/2021 He D23/382
2021/0052412 A1* 2/2021 Wang A61B 5/6803

OTHER PUBLICATIONS

Noova Neck Support for Neck Pain, Brace for Women and Men, Neck Relaxer Neck Brace, Noova, Amazon, [Post date: Jan. 22, 2022], [Site seen Mar. 29, 2022], Seen at URL: https://www.amazon.com/Noova-Support-Corrector-Restorer-Cervical/dp/B09PYGXXY3/ref=sr_1_115?crid=3F7KN1MG22DUH&keywords=neck+sup%E2%80%A6 (Year: 2022).*

Back Neck Brace, a revolutionary cervical collar that provides support, BAC store, Amazon, [Post date: Mar. 18, 2017] [Site seen: Mar. 29, 2022], Seen at URL: https://www.amazon.com/revolutionary-cervical-provides-breathable-lightweight/dp/B01BH7GO2C/ref=sr_1_81_sspa (Year: 2017).*

* cited by examiner

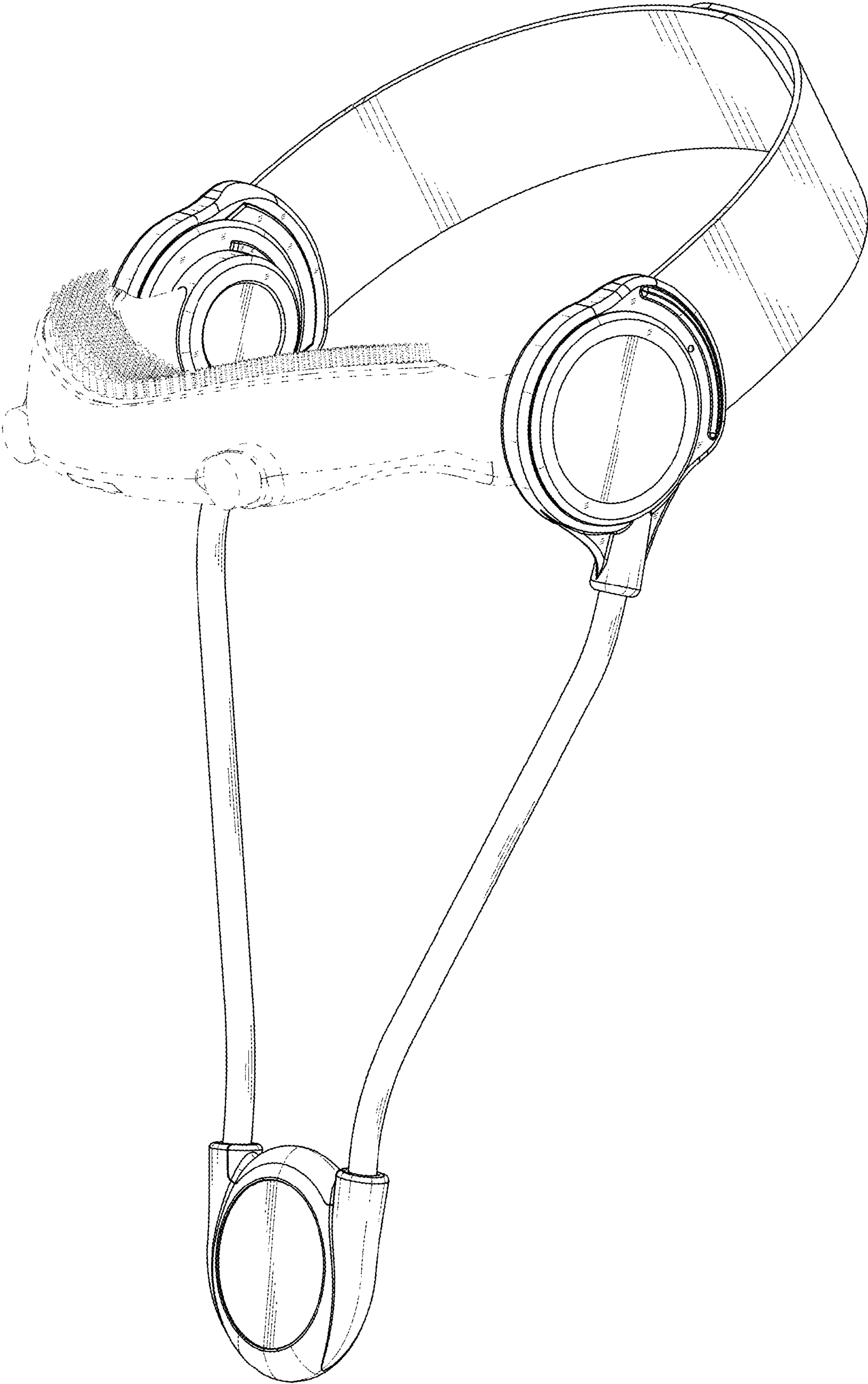


FIG.1

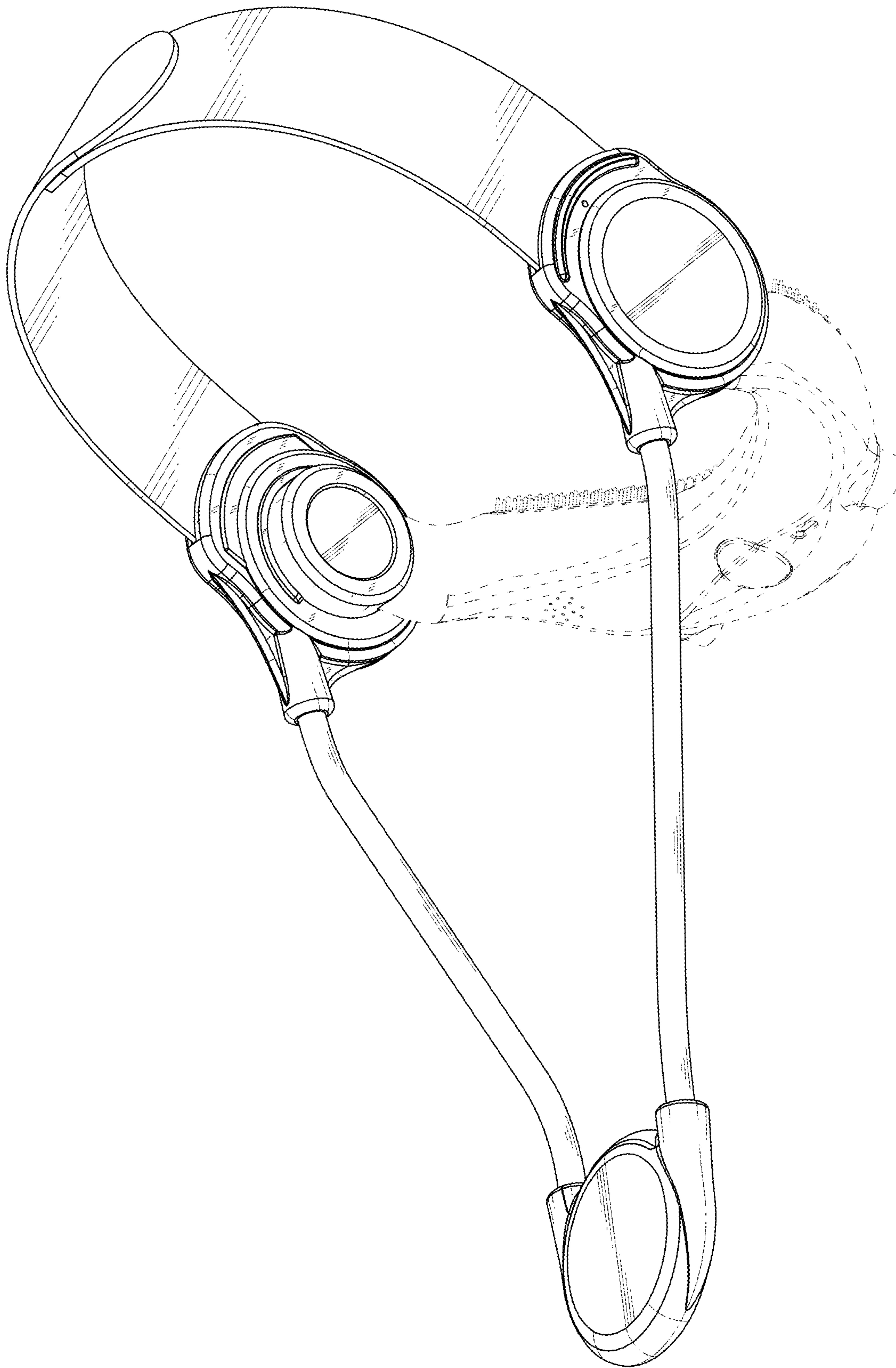


FIG.2

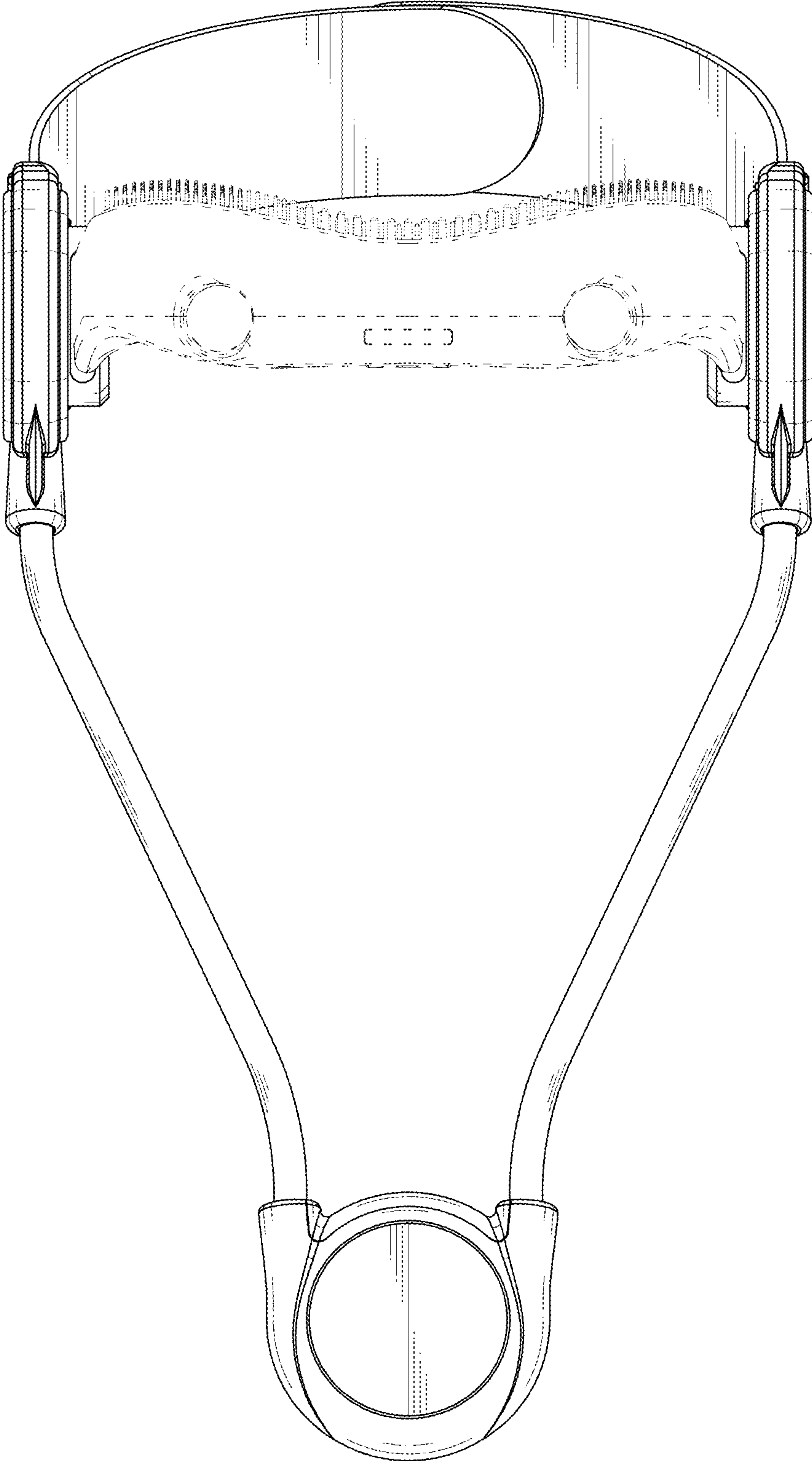


FIG.3

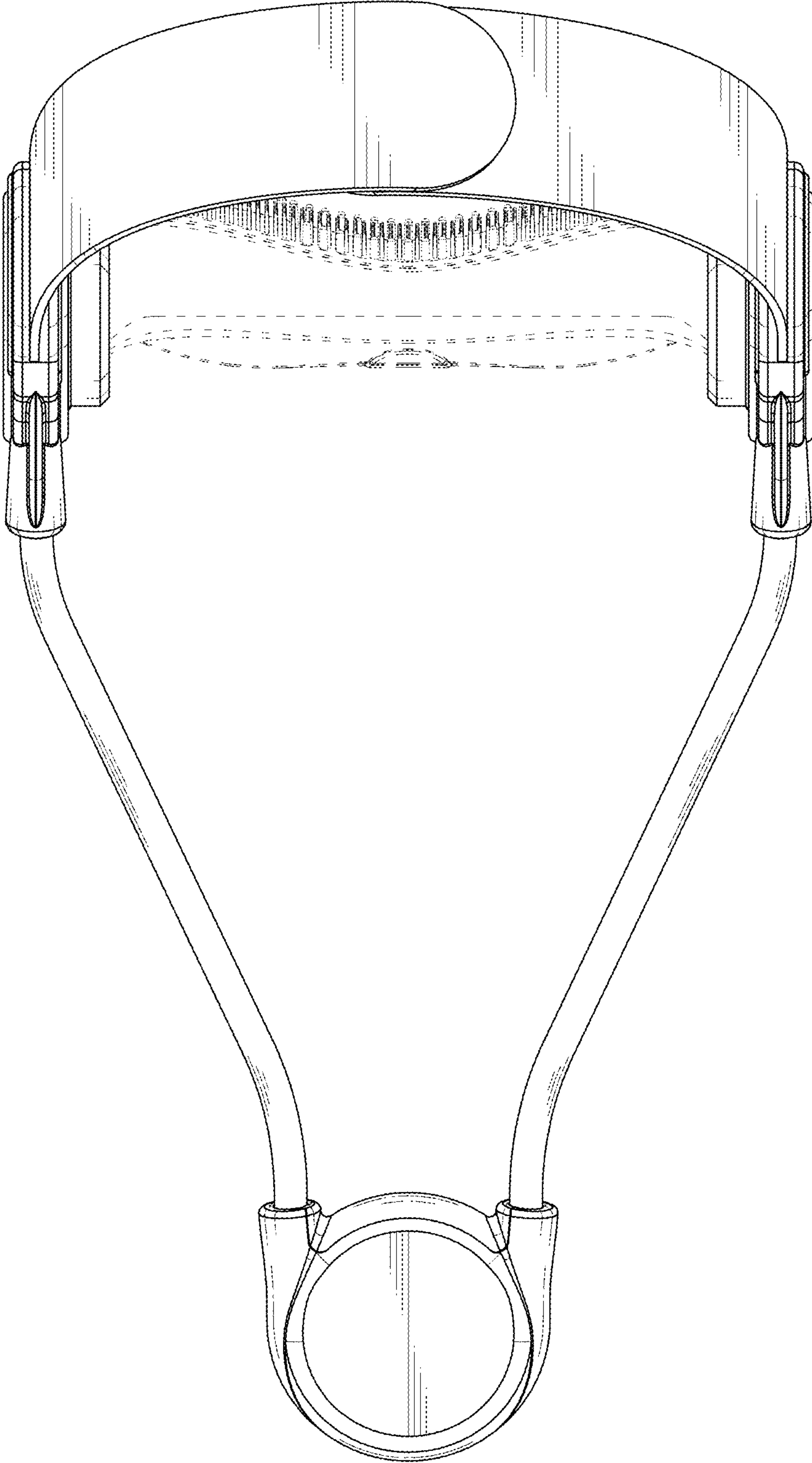


FIG.4

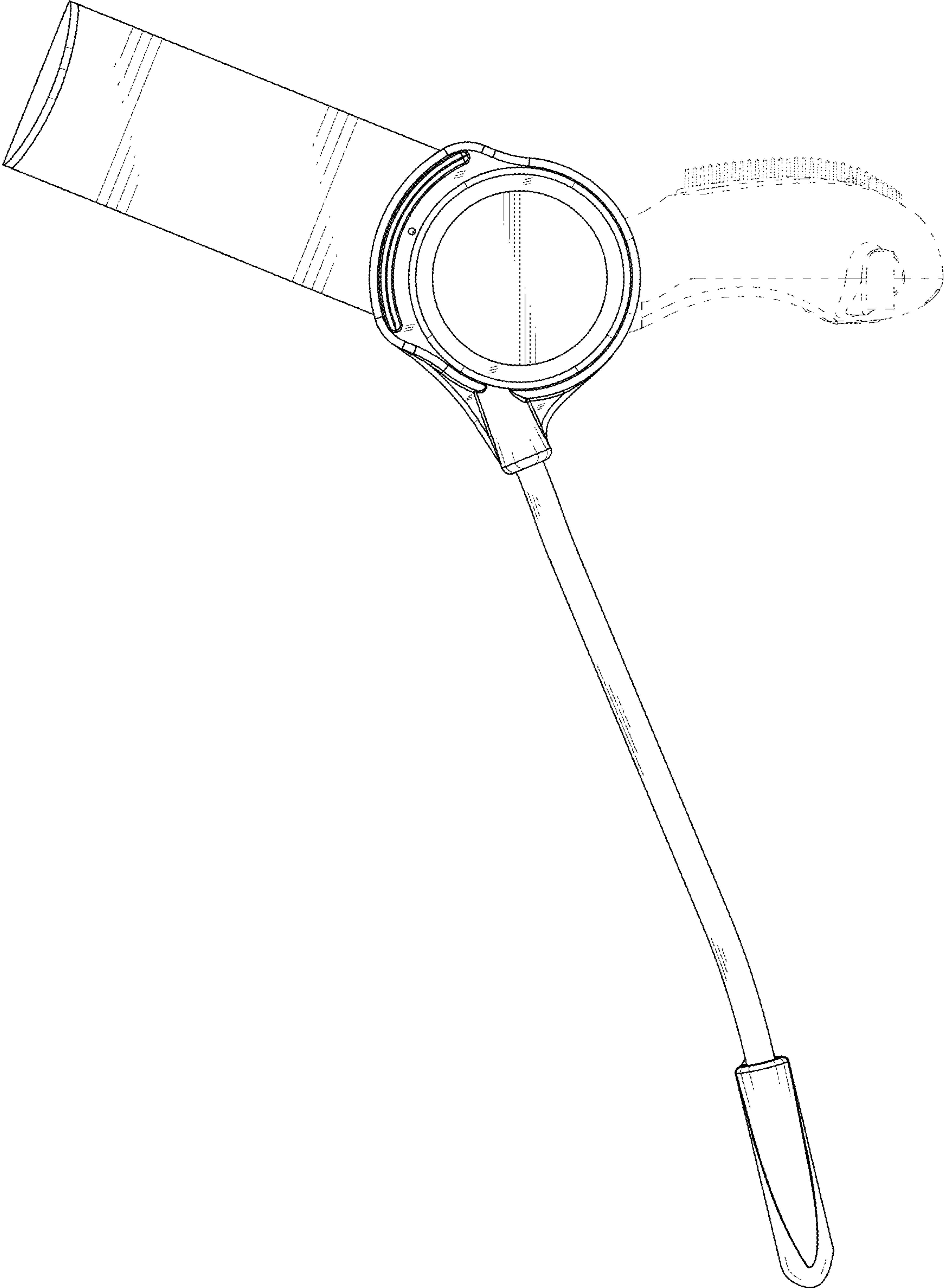


FIG.5

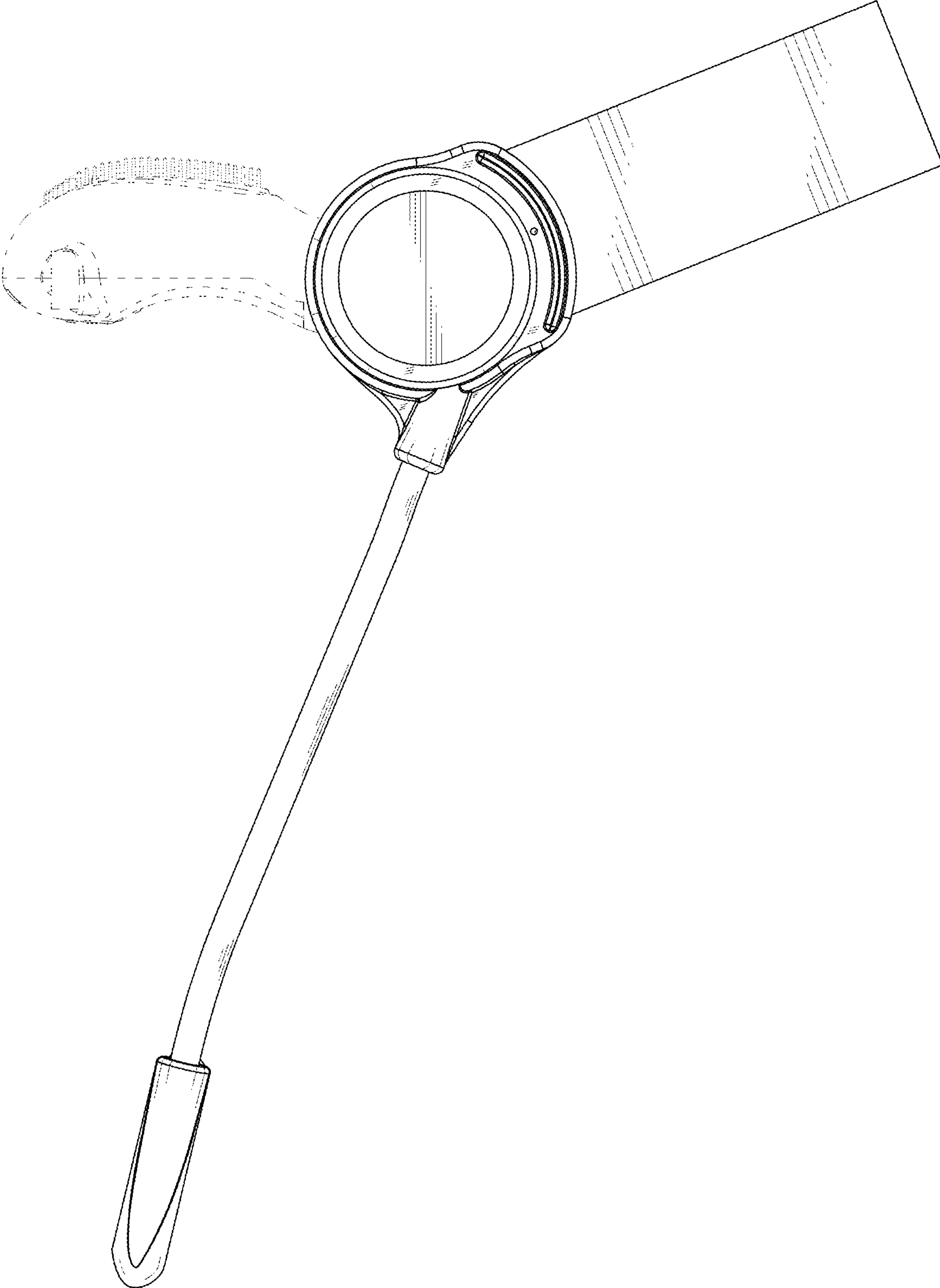


FIG.6

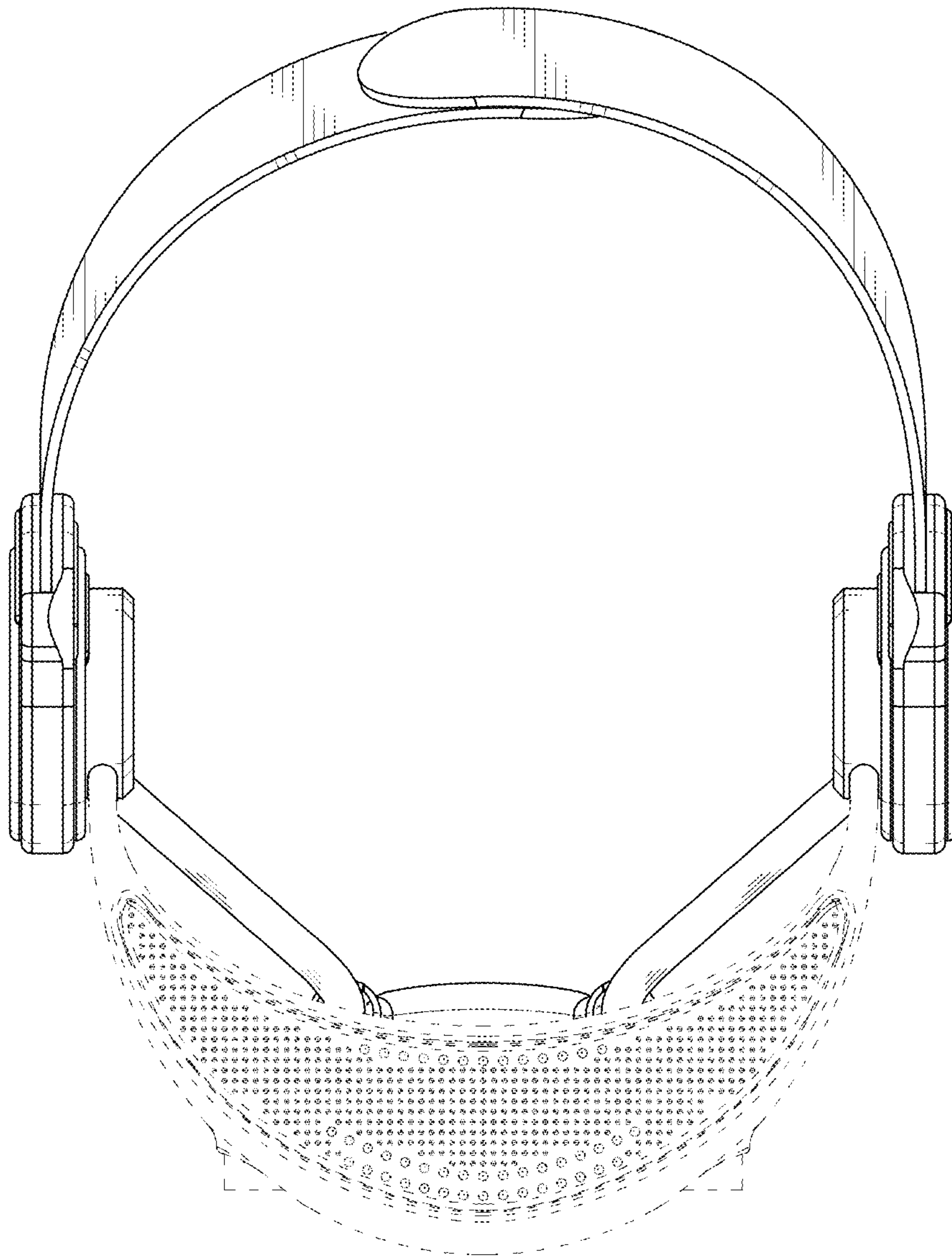


FIG.7

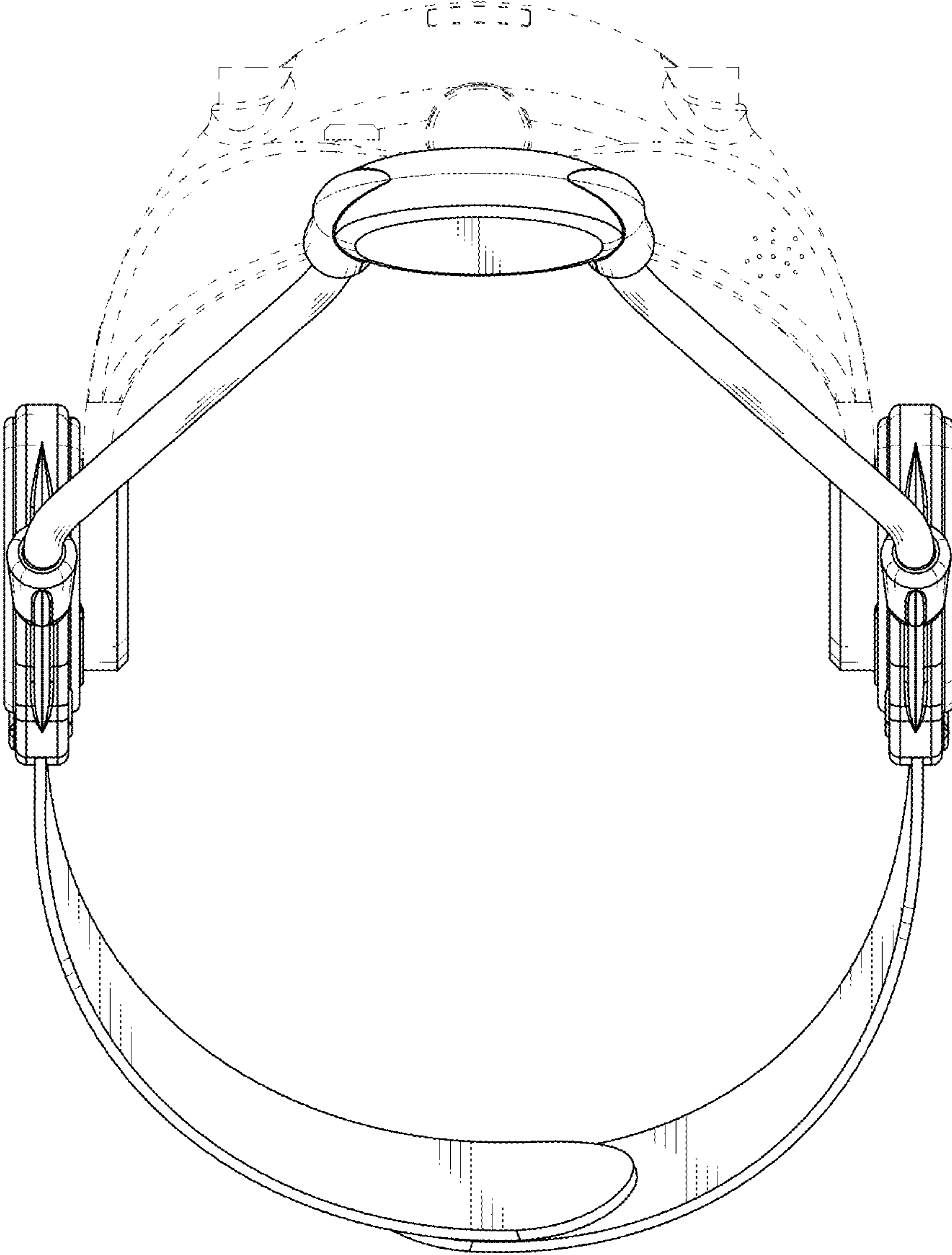


FIG.8

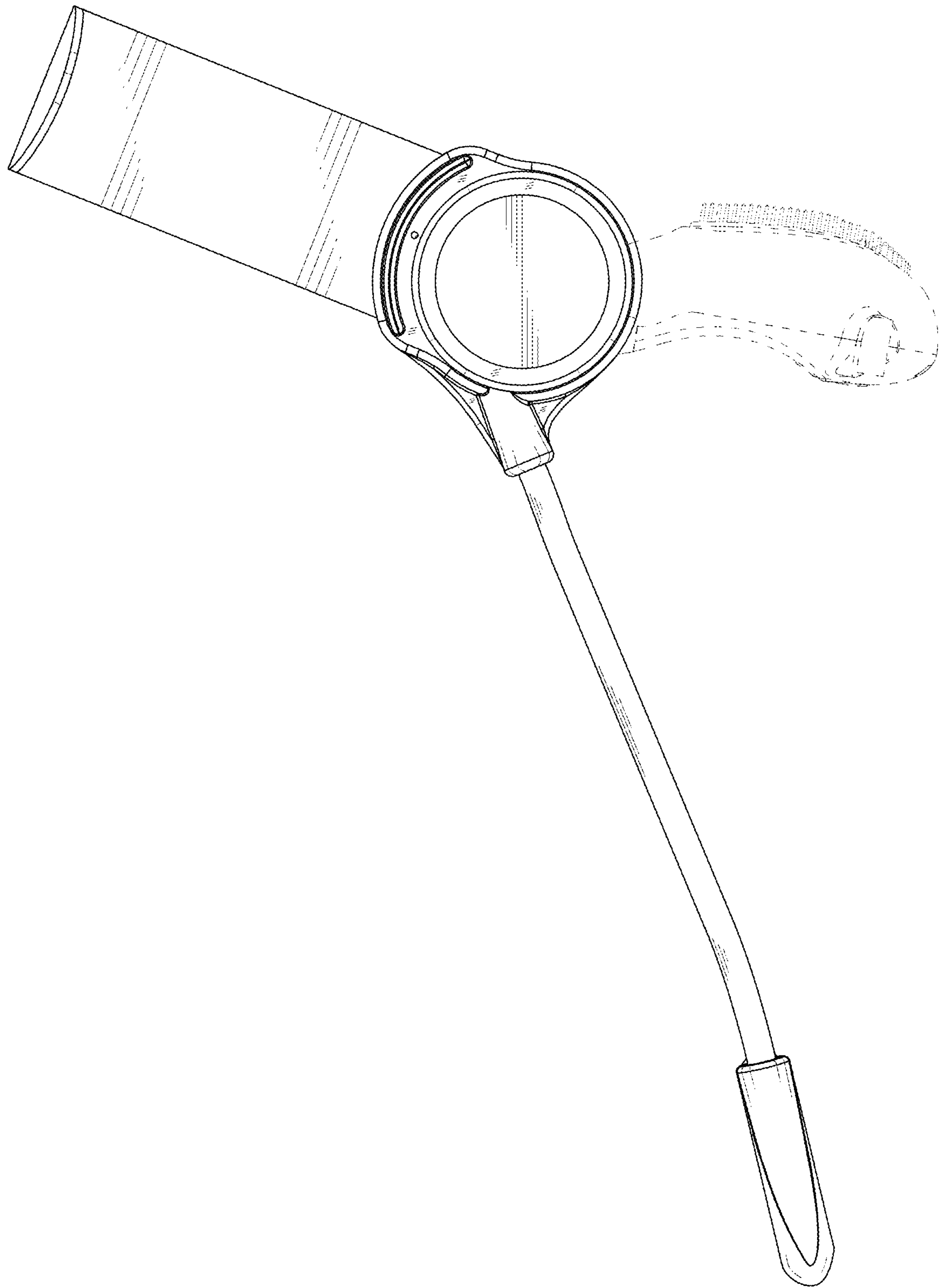


FIG.9

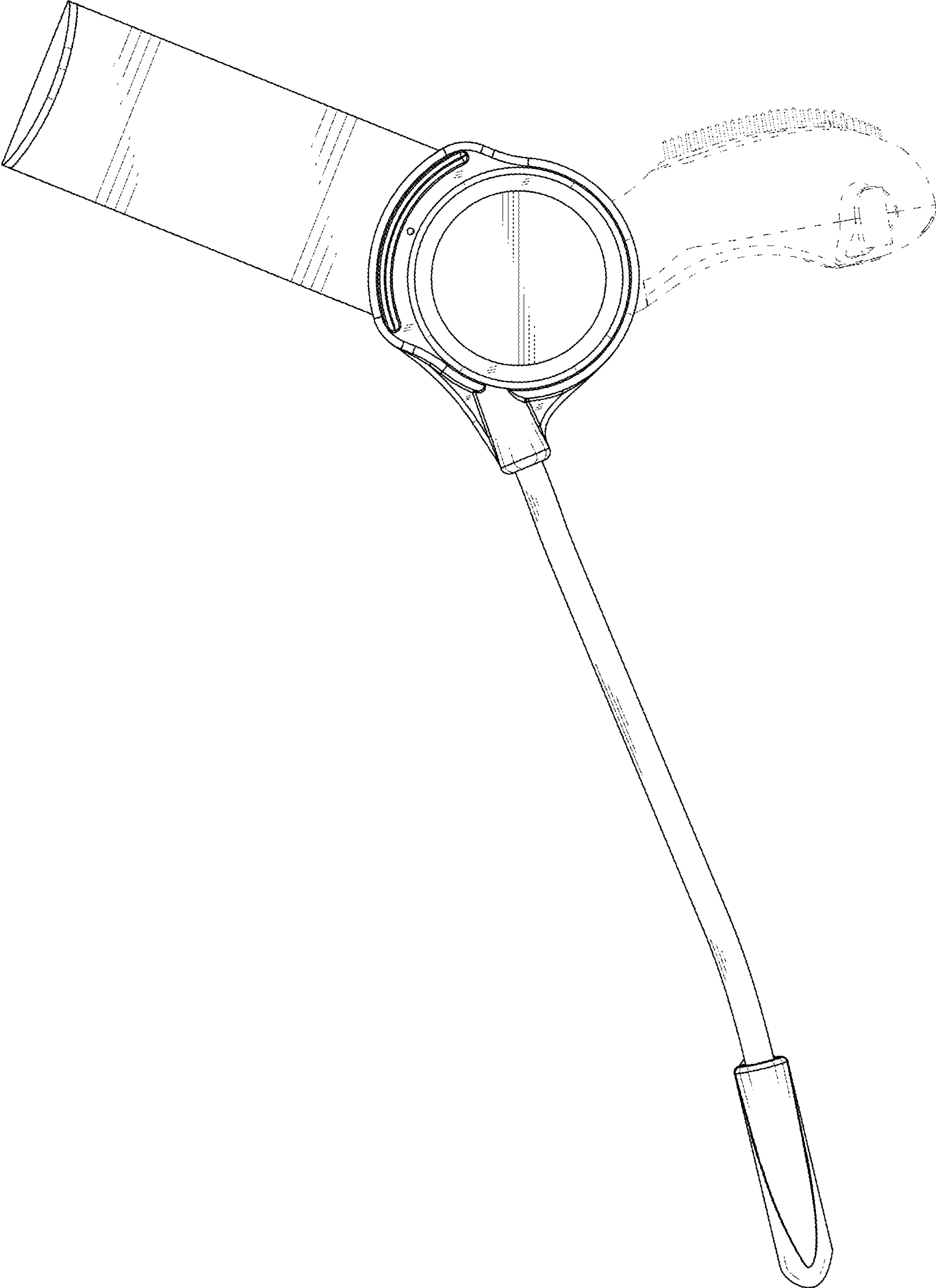


FIG.10

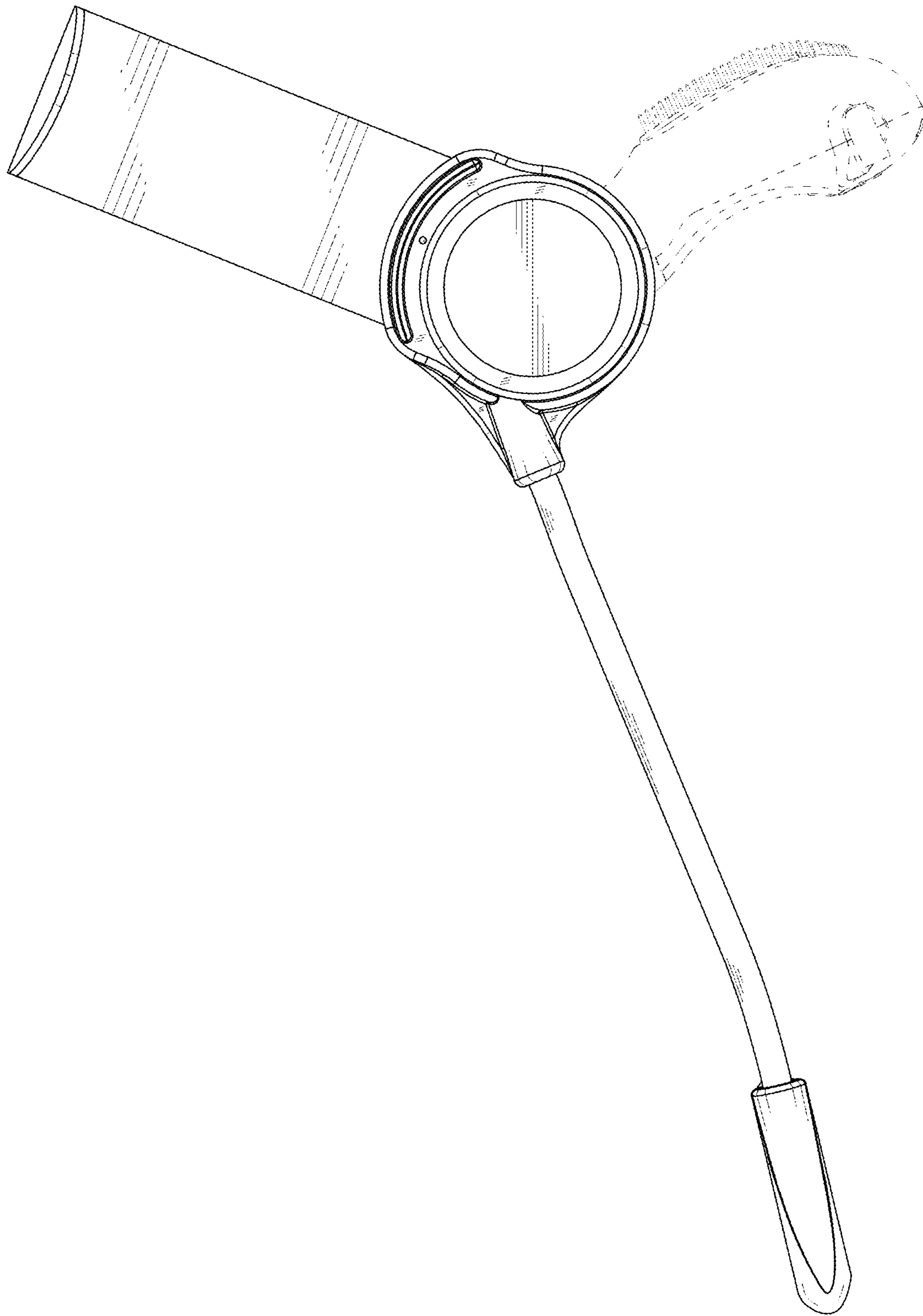


FIG.11