



US00D958377S

(12) **United States Design Patent** (10) **Patent No.:** **US D958,377 S**
Watters, III et al. (45) **Date of Patent:** **** Jul. 19, 2022**

(54) **LATERAL DECUBITUS LEG SUPPORT DEVICE**

(71) Applicant: **BONE FOAM, INC.**, Corcoran, MN (US)

(72) Inventors: **Benjamin J. Watters, III**, Saint Louis Park, MN (US); **Clinton J. McCullough**, Blaine, MN (US); **Peter A. Cole, Jr.**, North Oaks, MN (US)

(73) Assignee: **Bone Foam, Inc.**, Corcoran, MN (US)

(**) Term: **15 Years**

(21) Appl. No.: **29/824,674**

(22) Filed: **Jan. 26, 2022**

Related U.S. Application Data

(62) Division of application No. 29/801,329, filed on Jul. 28, 2021, now Pat. No. Des. 943,752, which is a division of application No. 29/726,630, filed on Mar. 4, 2020.

(51) **LOC (13) Cl.** **24-02**

(52) **U.S. Cl.**
USPC **D24/190; D24/184**

(58) **Field of Classification Search**
USPC D24/183, 184, 190–192; D29/120.1, D29/121.1, 122, 121.2; D6/596–604
CPC A61F 5/0111; A61F 5/0127; A61F 13/066; A61F 2/6607; A61F 5/37; A47G 9/10; A47C 20/021; A47C 20/023; A47C 16/00; A47C 20/026; A47C 20/027; A61G 7/0755; A61G 13/121; A61G 7/075; A61G 13/1235
See application file for complete search history.

(56) **References Cited**

U.S. PATENT DOCUMENTS

D187,372 S * 3/1960 Dailey D24/103
D321,562 S * 11/1991 Ljungvall D6/601

D447,568 S * 9/2001 Hall D24/183
6,443,987 B1 * 9/2002 Bryan A61F 2/28
623/17.11
D745,156 S * 12/2015 McCormack D24/155
D748,931 S * 2/2016 Corigliano D6/601
10,617,584 B1 * 4/2020 Moudy A61G 7/057
D898,443 S * 10/2020 Romano D6/601
D939,864 S * 1/2022 Wang D6/601
D941,610 S * 1/2022 Zhang D6/601
D943,752 S * 2/2022 Watters, III D24/190
2002/0095731 A1 * 7/2002 Hall A61G 7/075
5/648
2014/0318550 A1 * 10/2014 Doci A63B 23/0494
128/845
2016/0030188 A1 * 2/2016 Lynn A61F 2/30744
623/17.16

(Continued)

OTHER PUBLICATIONS

Lateral Bolster. Online, published date unknown. Retrieved on Mar. 16, 2022 from URL: <https://www.bonefoam.com/product/lateral-leg-bolster/>.*

Primary Examiner — Omeed Agilee
(74) *Attorney, Agent, or Firm* — Workman Nydegger

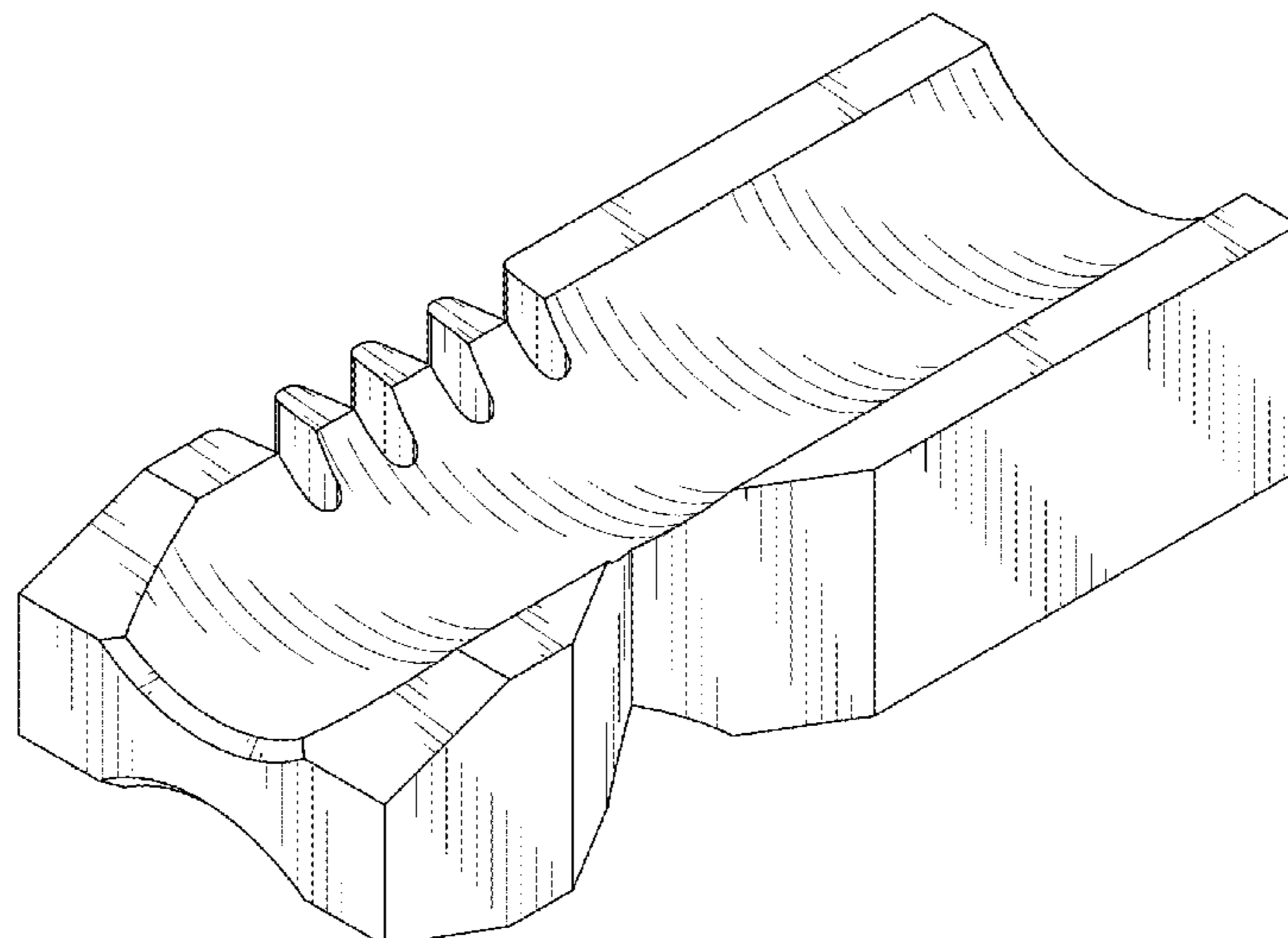
(57) **CLAIM**

The ornamental design for a lateral decubitus leg support device, as shown and described.

DESCRIPTION

FIG. 1 is a front, right perspective view of a lateral decubitus leg support device;
FIG. 2 is a front elevation view thereof;
FIG. 3 is a rear elevation view thereof;
FIG. 4 is a top plan view thereof;
FIG. 5 is a bottom plan view thereof;
FIG. 6 is a right side elevation view thereof; and,
FIG. 7 is a left side elevation view thereof.

1 Claim, 3 Drawing Sheets



(56)

References Cited

U.S. PATENT DOCUMENTS

2016/0113773 A1* 4/2016 Ganem A61F 2/446
623/17.16

* cited by examiner

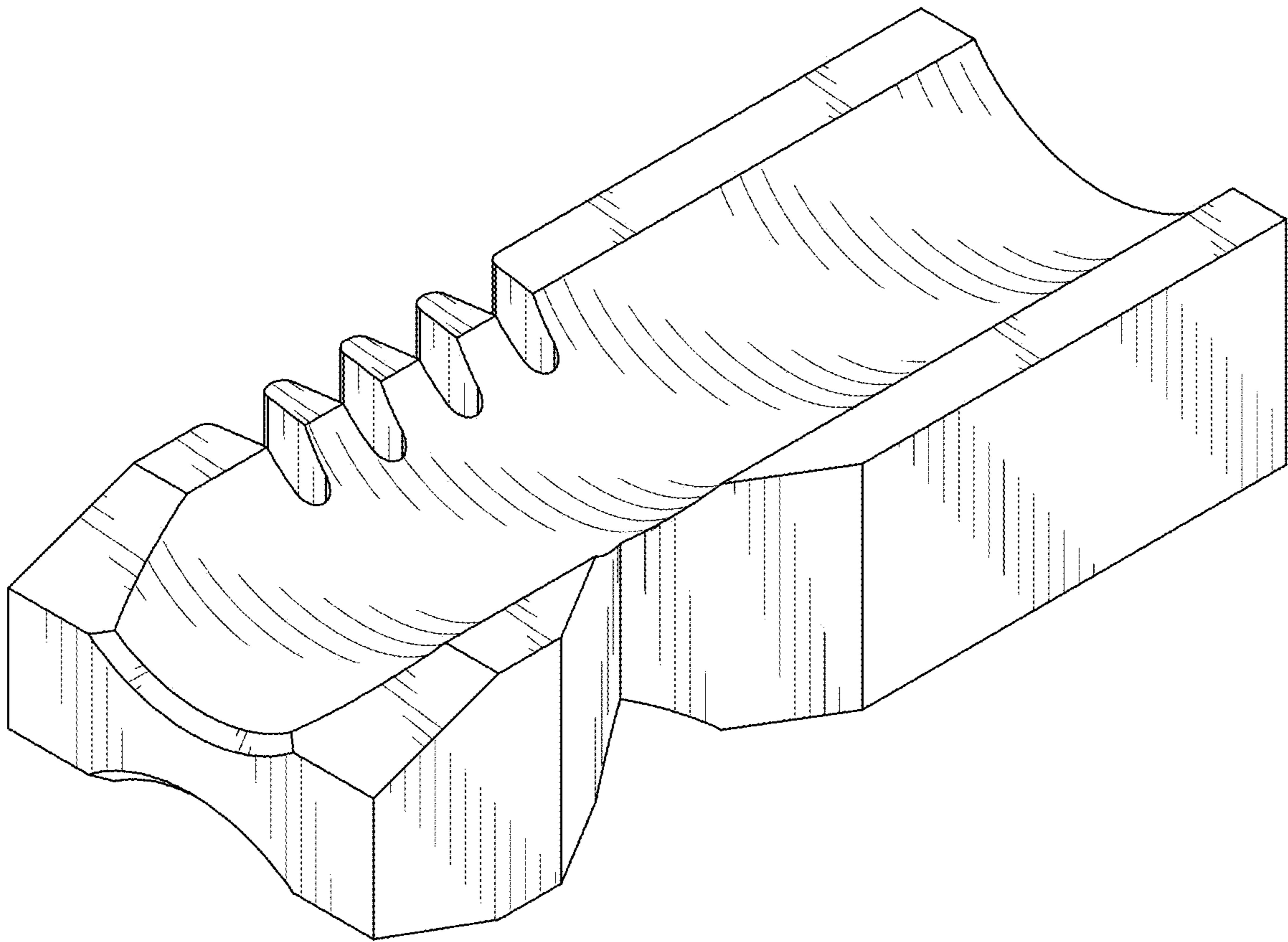


FIG. 1

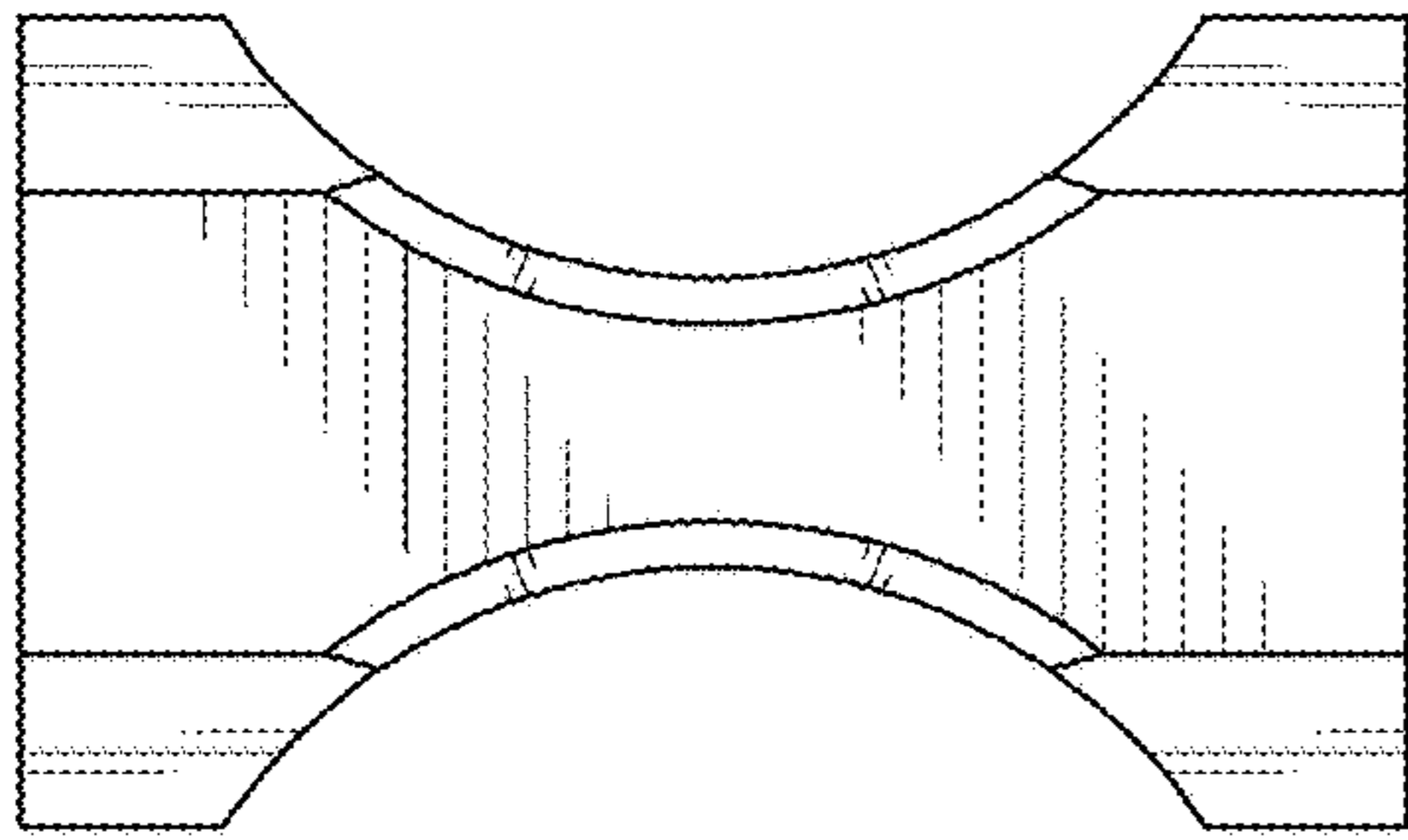


FIG. 2

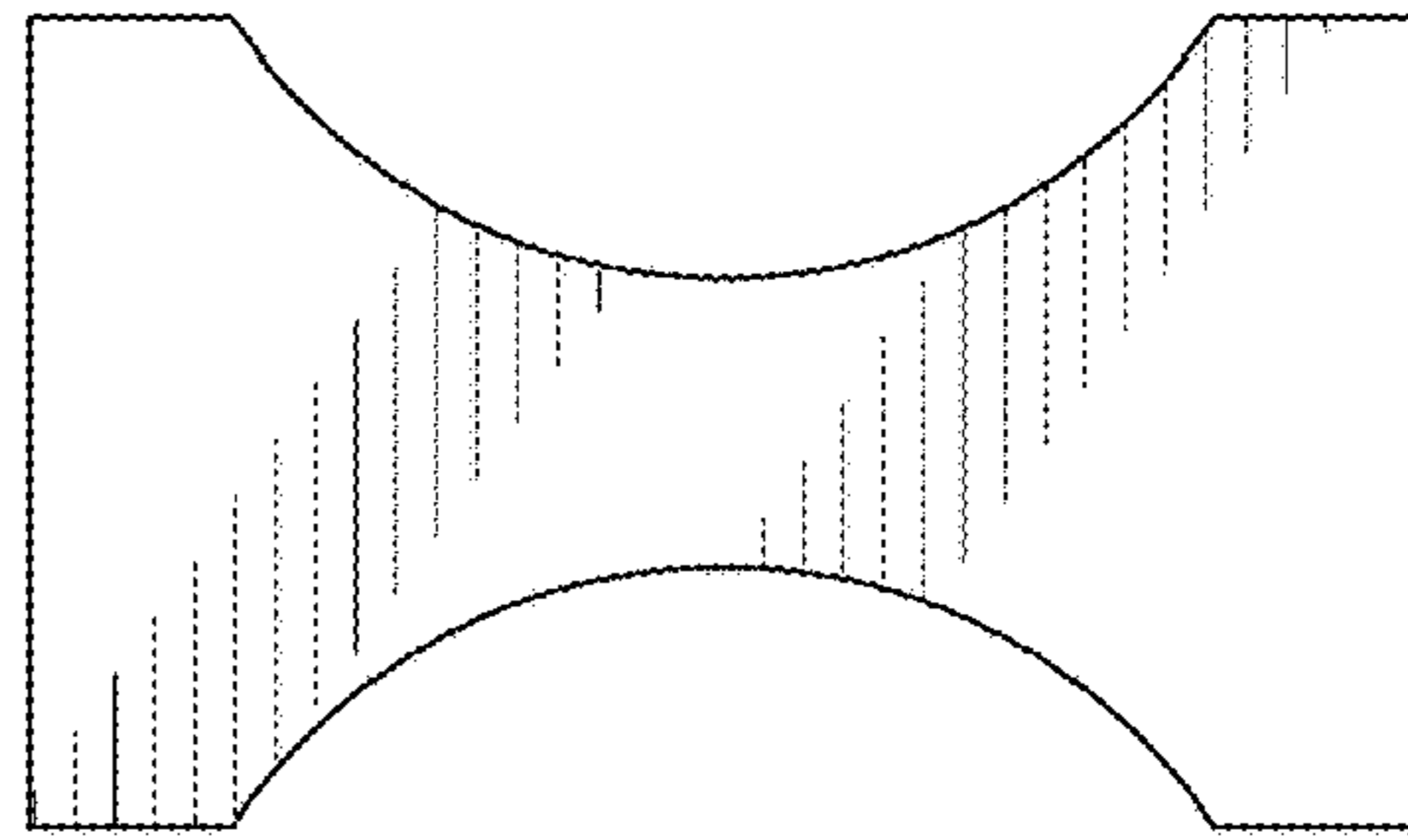


FIG. 3

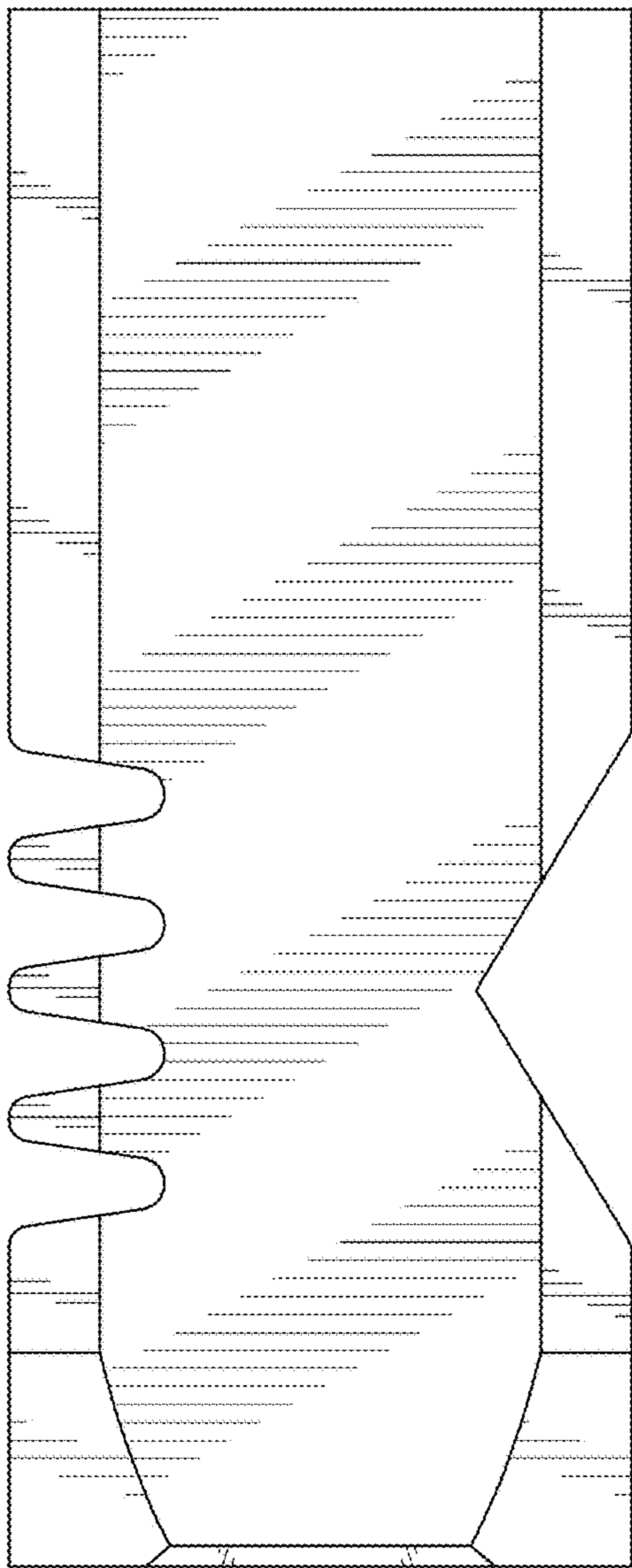


FIG. 4

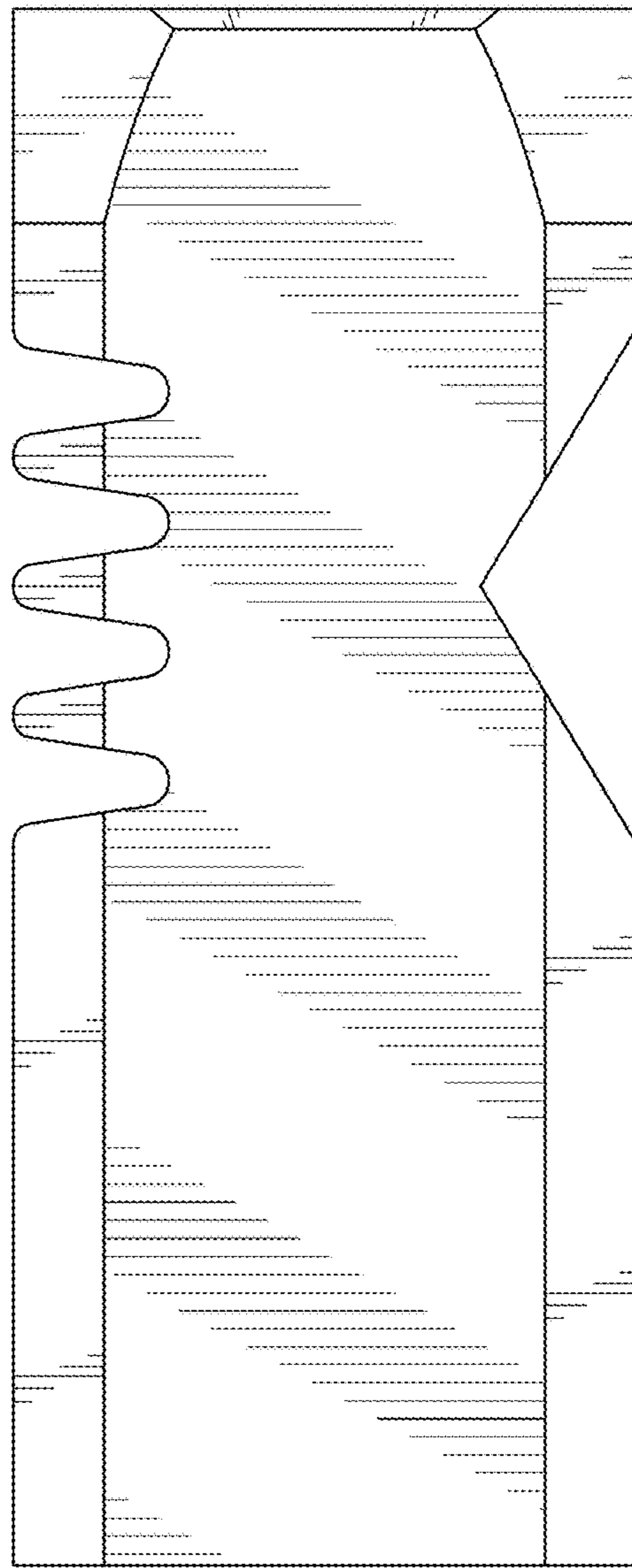


FIG. 5

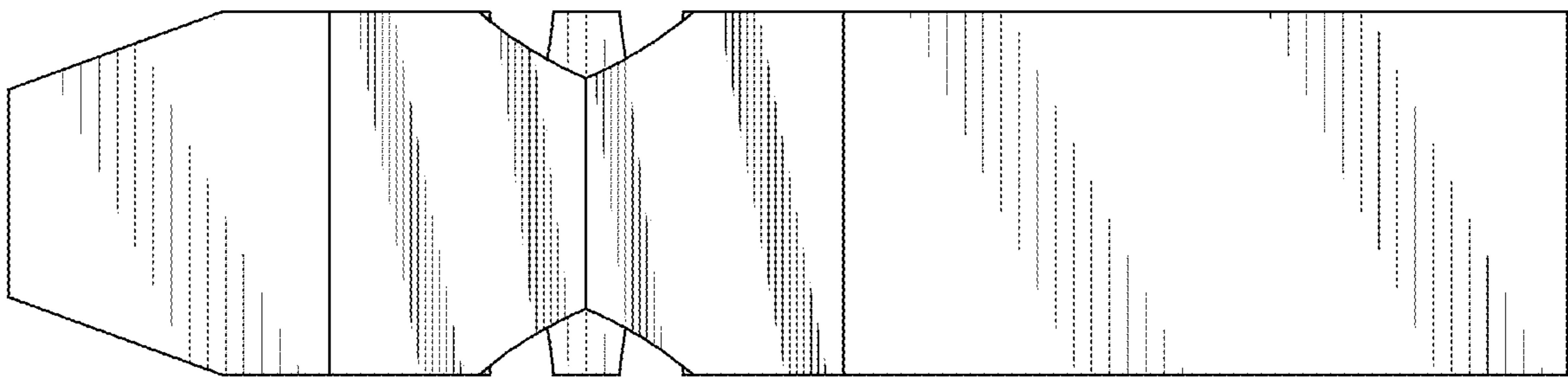


FIG. 6

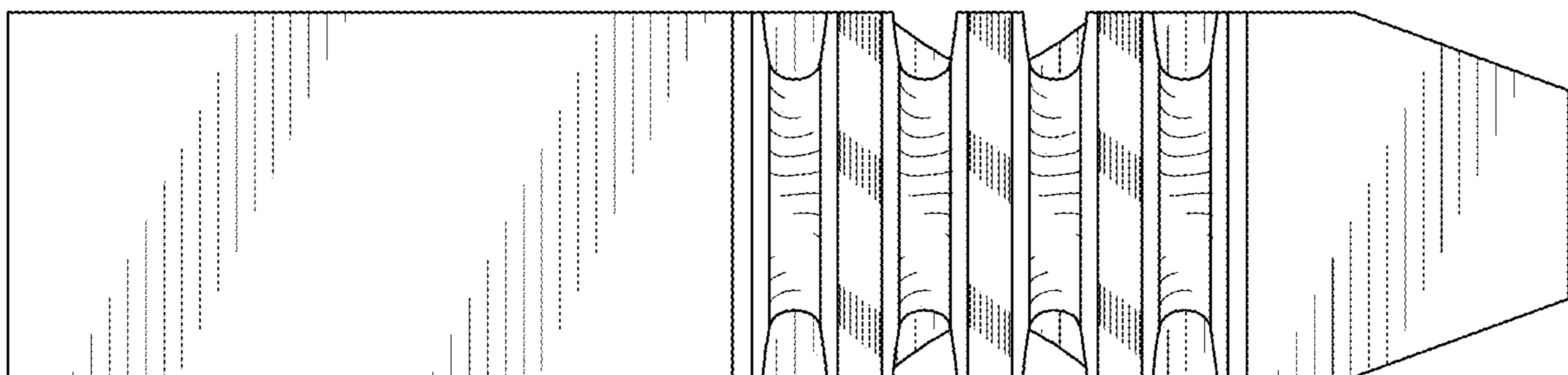


FIG. 7