



US00D958374S

(12) **United States Design Patent**
Katoh et al.

(10) **Patent No.:** **US D958,374 S**
(45) **Date of Patent:** **** Jul. 19, 2022**

(54) **MOTION ASSISTING DEVICE**

(71) Applicant: **JTEKT CORPORATION**, Osaka (JP)

(72) Inventors: **Yoshinobu Katoh**, Toyohashi (JP);
Akihisa Umetani, Nara (JP); **Takeshi Koyama**, Neyagawa (JP); **Kensaku Kogushi**, Yamatokoriyama (JP); **Yuki Kobayashi**, Nara (JP); **Riku Nagayama**, Ikoma-gun (JP); **Tomoko Nagura**, Okazaki (JP); **Katsuhide Kikuchi**, Saitama (JP); **Shintaro Yoshida**, Shiki (JP); **Mikio Shinohara**, Hino (JP)

(73) Assignee: **JTEKT CORPORATION**, Osaka (JP)

(**) Term: **15 Years**

(21) Appl. No.: **29/726,505**

(22) Filed: **Mar. 3, 2020**

(30) **Foreign Application Priority Data**

Sep. 6, 2019 (JP) 2019-020007
Sep. 6, 2019 (JP) 2019-020008

(51) **LOC (13) Cl.** **24-02**

(52) **U.S. Cl.**
USPC **D24/190; D29/100**

(58) **Field of Classification Search**
USPC D29/100-101.5; D24/190
CPC ... A63B 21/00; A63B 21/065; A63B 21/4007;
A63B 21/4009; A63B 23/0405; A61H
3/00; A61H 2003/007; A61H 3/008;
A61H 1/00; A61H 1/0244

See application file for complete search history.

(56) **References Cited**

U.S. PATENT DOCUMENTS

D781,430 S * 3/2017 Konishi D24/190
9,604,369 B2 * 3/2017 Angold B25J 17/00

9,687,409 B2 * 6/2017 Teng A61H 1/0244
D831,276 S * 10/2018 Pennington, Jr. D29/101.1
10,166,679 B2 * 1/2019 Tanibayashi A61H 1/0244
10,288,384 B2 * 5/2019 Kinnings A45F 3/12
10,426,688 B2 * 10/2019 Robertson A61H 3/00
10,610,439 B2 * 4/2020 Ohta A61H 1/0244
D887,013 S * 6/2020 Son D24/190
10,688,010 B2 * 6/2020 Teng A61H 3/00
D889,672 S * 7/2020 Takama D24/190

(Continued)

OTHER PUBLICATIONS

JTEKT News Releases (on-line), dated Dec. 12, 2018. Retrieved from Internet May 26, 2021, URL: https://www.jtekt.co.jp/e/news/181212_1.html (2 pages) (Year: 2018).*

Primary Examiner — Kimberly Barnes

(74) *Attorney, Agent, or Firm* — Oblon, McClelland, Maier & Neustadt, L.L.P.

(57) **CLAIM**

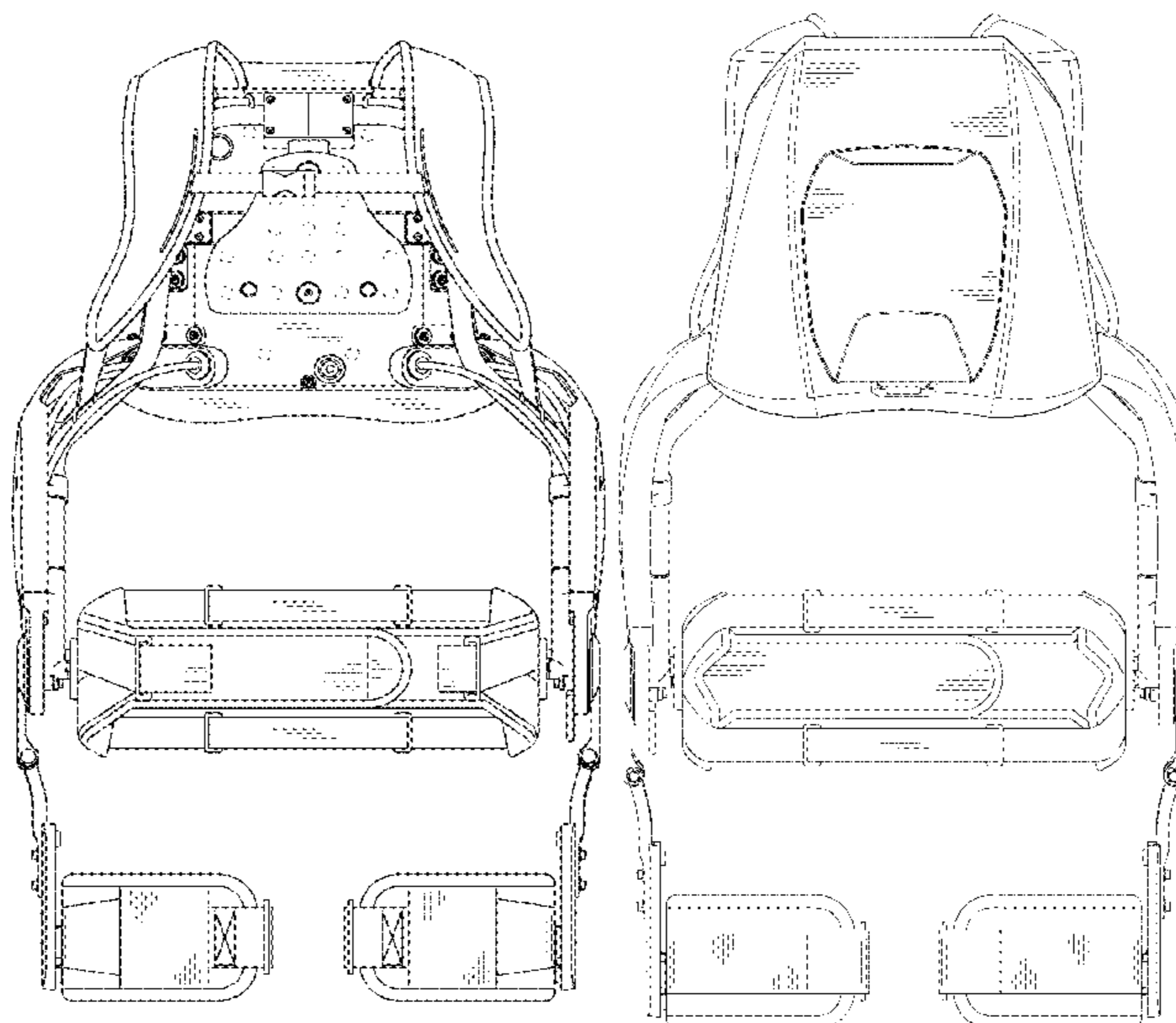
The ornamental design for a motion assisting device, as shown and described.

DESCRIPTION

FIG. 1 is a front view of a motion assisting device showing our new design;
FIG. 2 is a back view thereof;
FIG. 3 is a top view thereof;
FIG. 4 is a bottom view thereof;
FIG. 5 is a right view thereof;
FIG. 6 is a left view thereof; and,
FIG. 7 is another front view thereof showing the motion assisting device in use.

The broken lines in FIG. 7 depicting a wearer represents environmental subject matter that forms no part of the claimed design. The remaining broken lines in the figures depict portions of the motion assisting device that form no part thereof.

1 Claim, 7 Drawing Sheets



(56)

References Cited

U.S. PATENT DOCUMENTS

10,710,237 B2 * 7/2020 Kumeno A61H 1/024
10,835,443 B2 * 11/2020 Tsai A61H 1/0266
D903,881 S * 12/2020 Ohta D24/190
2018/0338880 A1 * 11/2018 Ohta A61H 3/008
2019/0192373 A1 * 6/2019 Vouga A61H 1/0262
2019/0282429 A1 * 9/2019 Son A61H 1/0237
2019/0314977 A1 * 10/2019 Kanaya B25J 9/0006
2019/0344432 A1 * 11/2019 Grenier A45F 3/10
2019/0358807 A1 * 11/2019 Ohta B25J 9/0006
2019/0358808 A1 * 11/2019 Yoshimi B25J 9/0006
2020/0179218 A1 * 6/2020 Katoh A61H 1/0244
2020/0189092 A1 * 6/2020 Yoshimi B25J 9/1633
2020/0206062 A1 * 7/2020 Kim B25J 9/0006
2020/0237600 A1 * 7/2020 Arai B25J 13/088
2020/0337934 A1 * 10/2020 Wang A61H 1/00
2020/0368094 A1 * 11/2020 Yoshimi A61H 3/008
2021/0291354 A1 * 9/2021 Kobayashi A61H 3/00
2021/0369534 A1 * 12/2021 Kobayashi B25J 9/0006
2022/0000700 A1 * 1/2022 Yoshimi A61H 3/00

* cited by examiner

Fig. 1

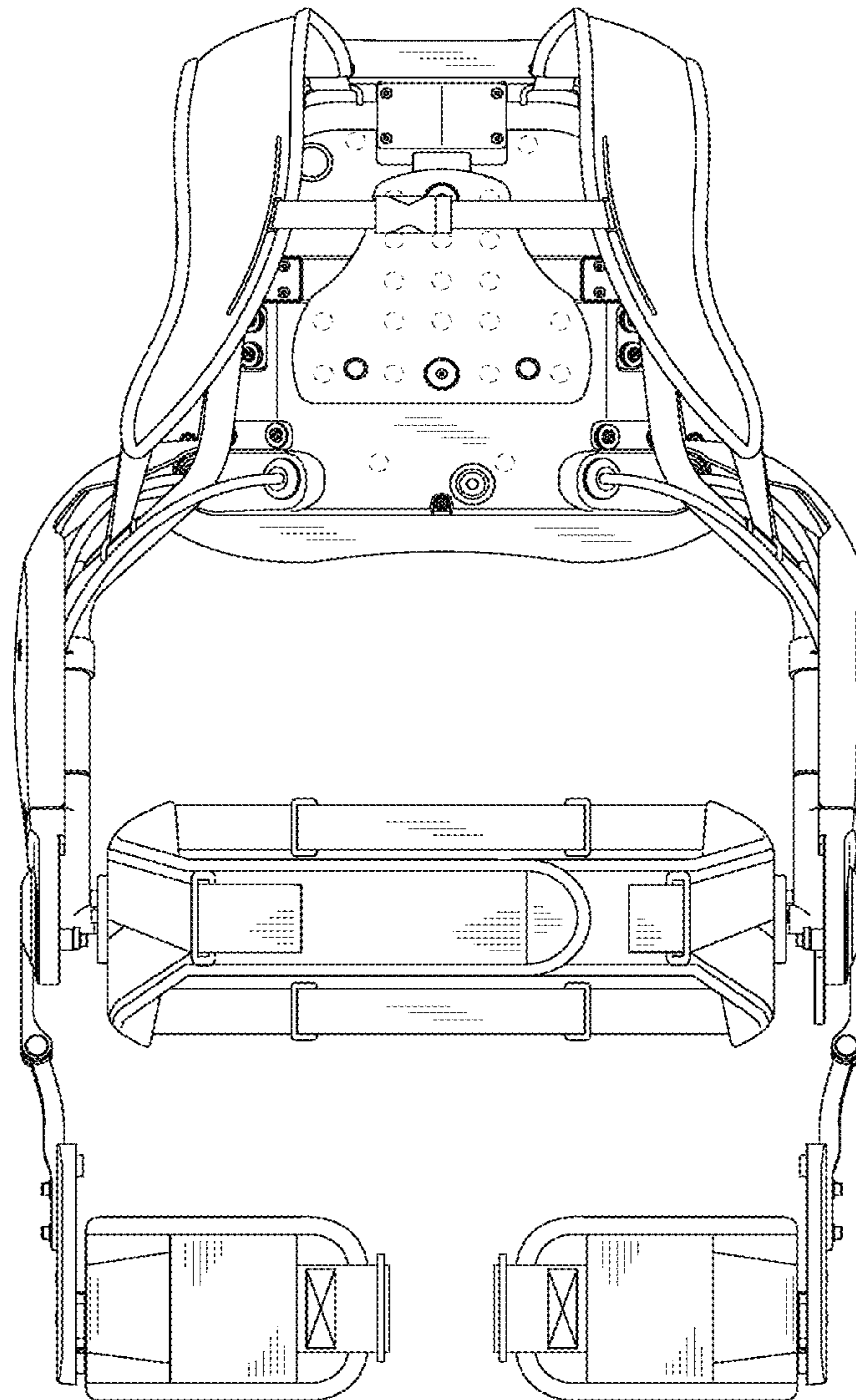


Fig. 2

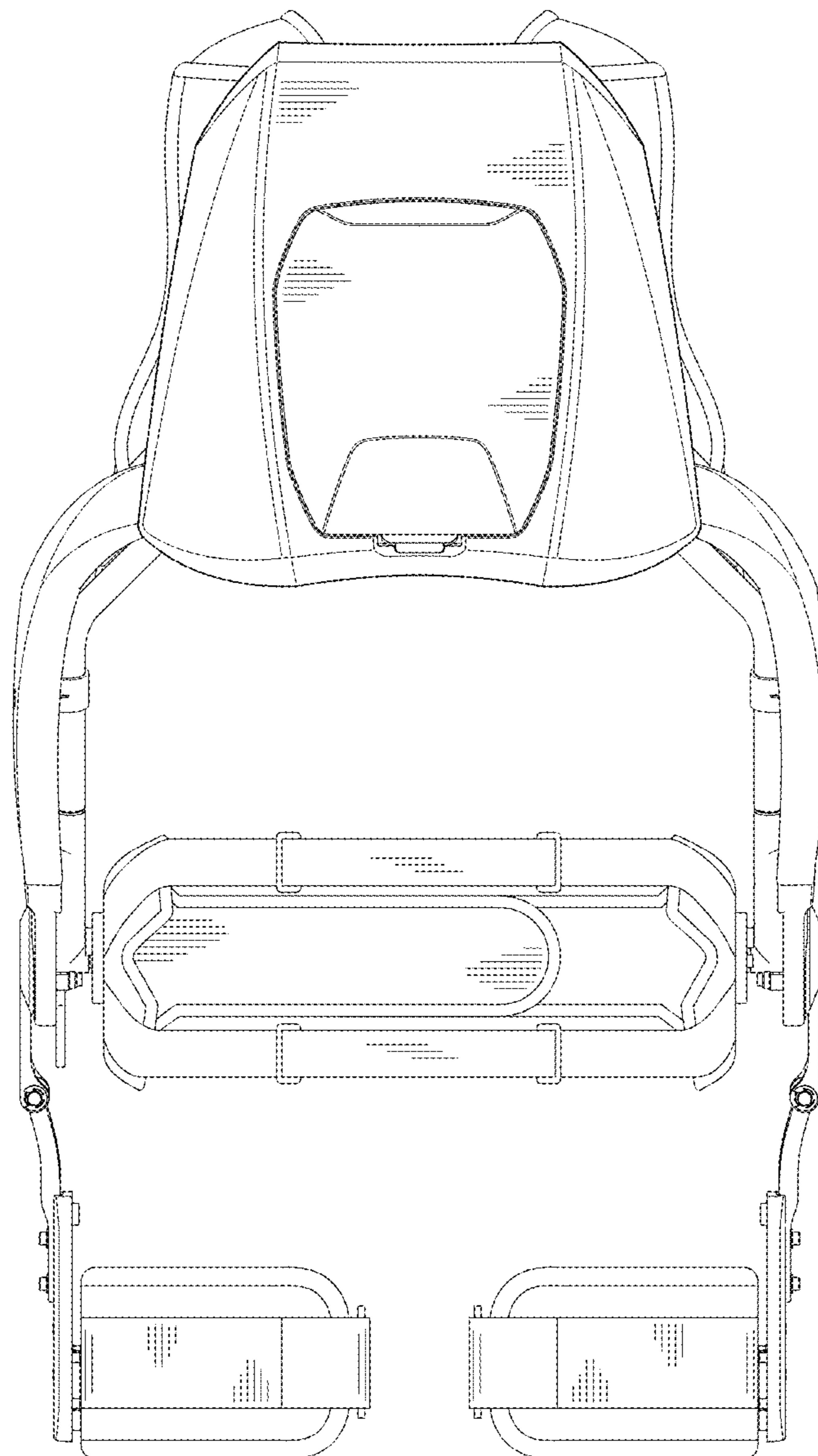


Fig. 3

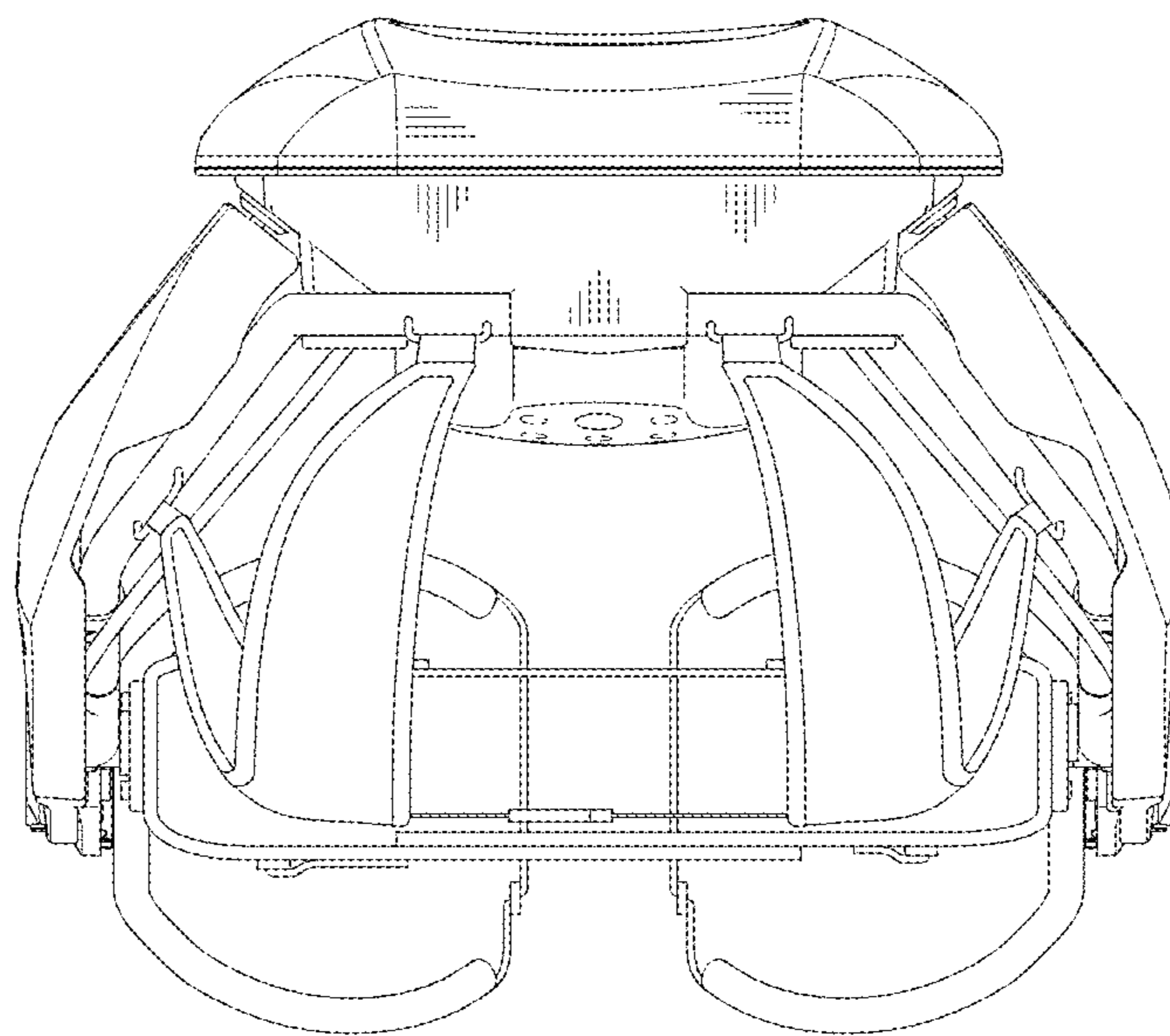


Fig. 4

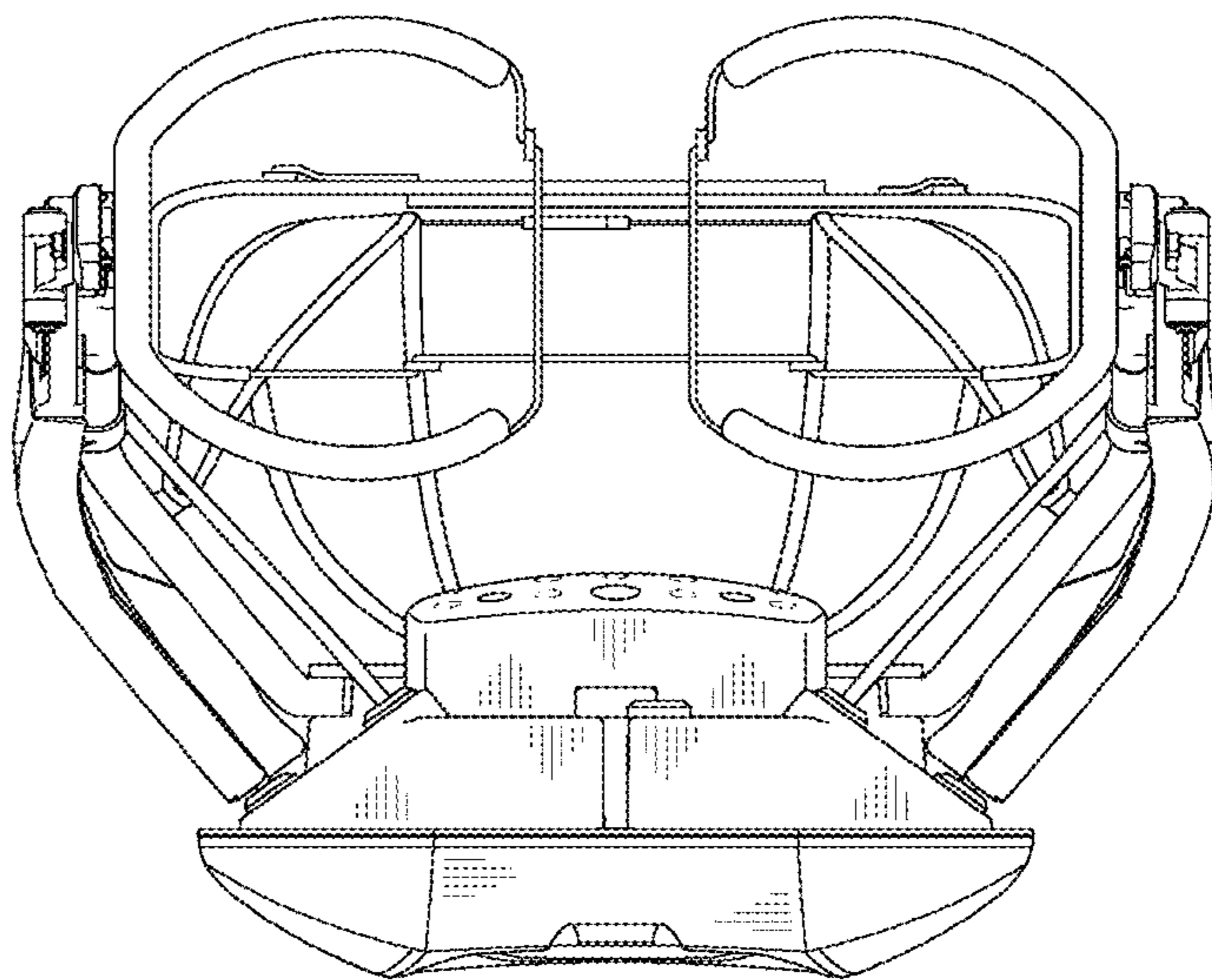


Fig. 5

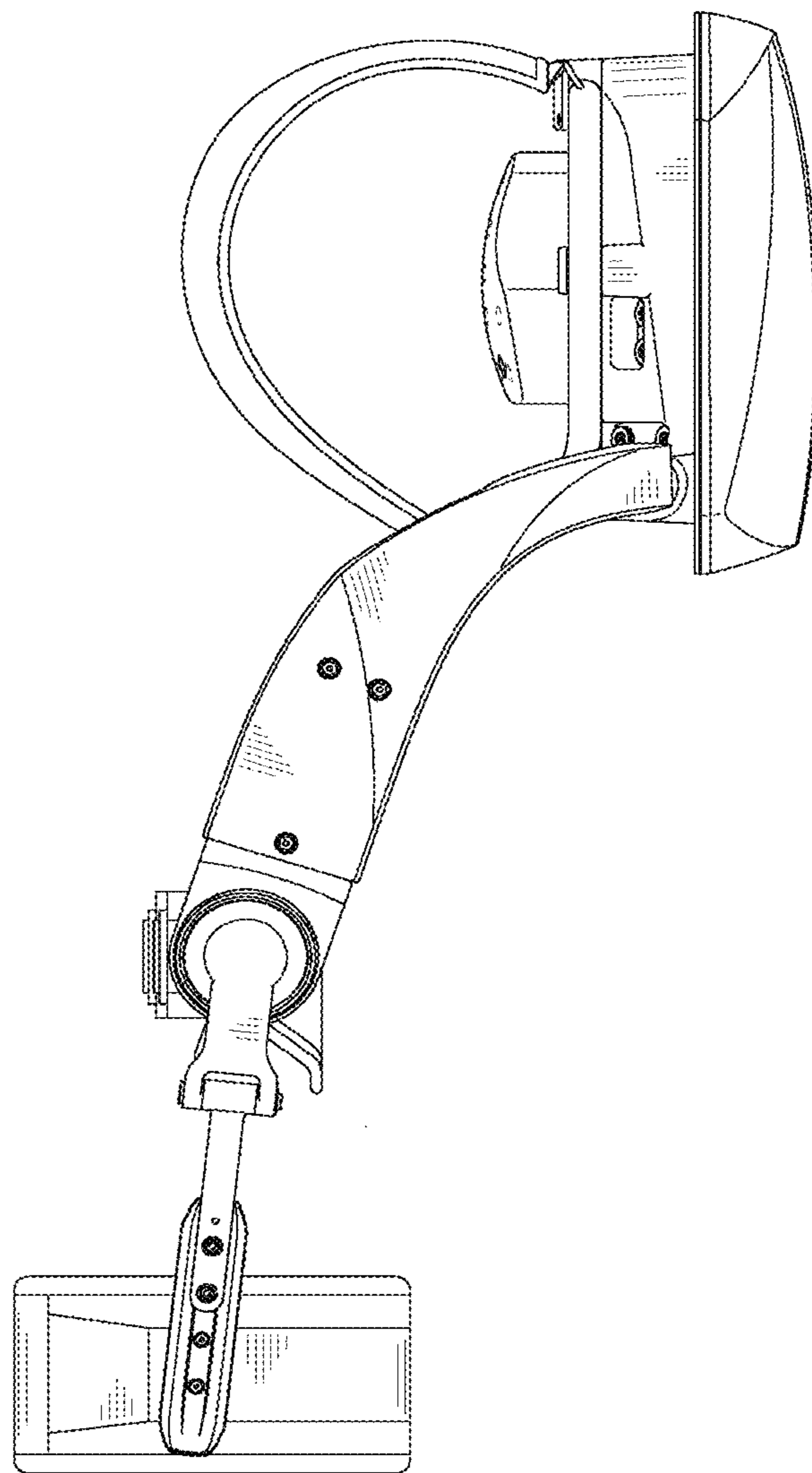


Fig. 6

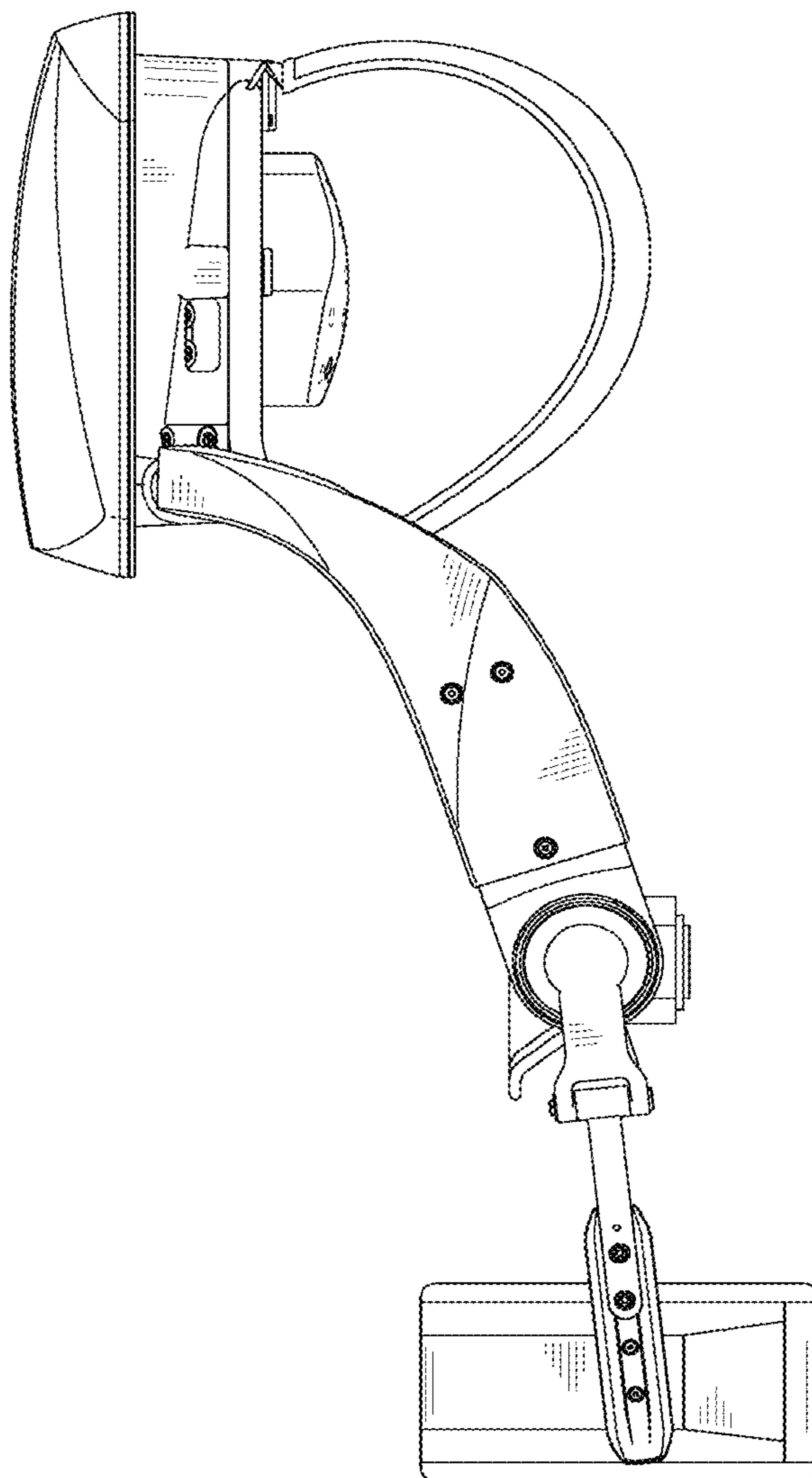


Fig. 7

