



US00D958373S

(12) **United States Design Patent**  
**Ruiz-Vela**

(10) **Patent No.:** **US D958,373 S**  
(45) **Date of Patent:** **\*\* Jul. 19, 2022**

(54) **LIGATING MEMBER FOR AN ORTHODONTIC BRACKET**

(71) Applicant: **World Class Technology Corporation,**  
McMinnville, OR (US)

(72) Inventor: **Alberto Ruiz-Vela,** Alta Loma, CA  
(US)

(73) Assignee: **WORLD CLASS TECHNOLOGY CORPORATION,** McMinnville, OR  
(US)

(\*\*) Term: **15 Years**

(21) Appl. No.: **29/796,970**

(22) Filed: **Jun. 28, 2021**

**Related U.S. Application Data**

(60) Division of application No. 29/690,839, filed on May 10, 2019, now Pat. No. Des. 926,993, which is a continuation-in-part of application No. 15/820,025, filed on Nov. 21, 2017, now abandoned.

(60) Provisional application No. 62/475,073, filed on Mar. 22, 2017.

(51) **LOC (13) Cl.** ..... **24-02**

(52) **U.S. Cl.**  
USPC ..... **D24/180**

(58) **Field of Classification Search**  
USPC ..... D24/176-182  
CPC .... A61C 7/08; A61C 7/12; A61C 7/14; A61C 7/141; A61C 7/146; A61C 7/287  
See application file for complete search history.

(56) **References Cited**

**U.S. PATENT DOCUMENTS**

2,549,528 A 4/1951 Russell  
4,712,999 A 12/1987 Rosenberg  
4,877,398 A 10/1989 Kesling  
5,161,969 A 11/1992 Pospisil et al.

(Continued)

**FOREIGN PATENT DOCUMENTS**

EP 1723927 A1 11/2006  
EP 2705807 A1 3/2014

**OTHER PUBLICATIONS**

European Patent Office, Extended European Search Report for Application 18770734.4, dated Oct. 20, 2020, 7 pages.

(Continued)

*Primary Examiner* — Wan Laymon

(74) *Attorney, Agent, or Firm* — Stoel Rives LLP

(57) **CLAIM**

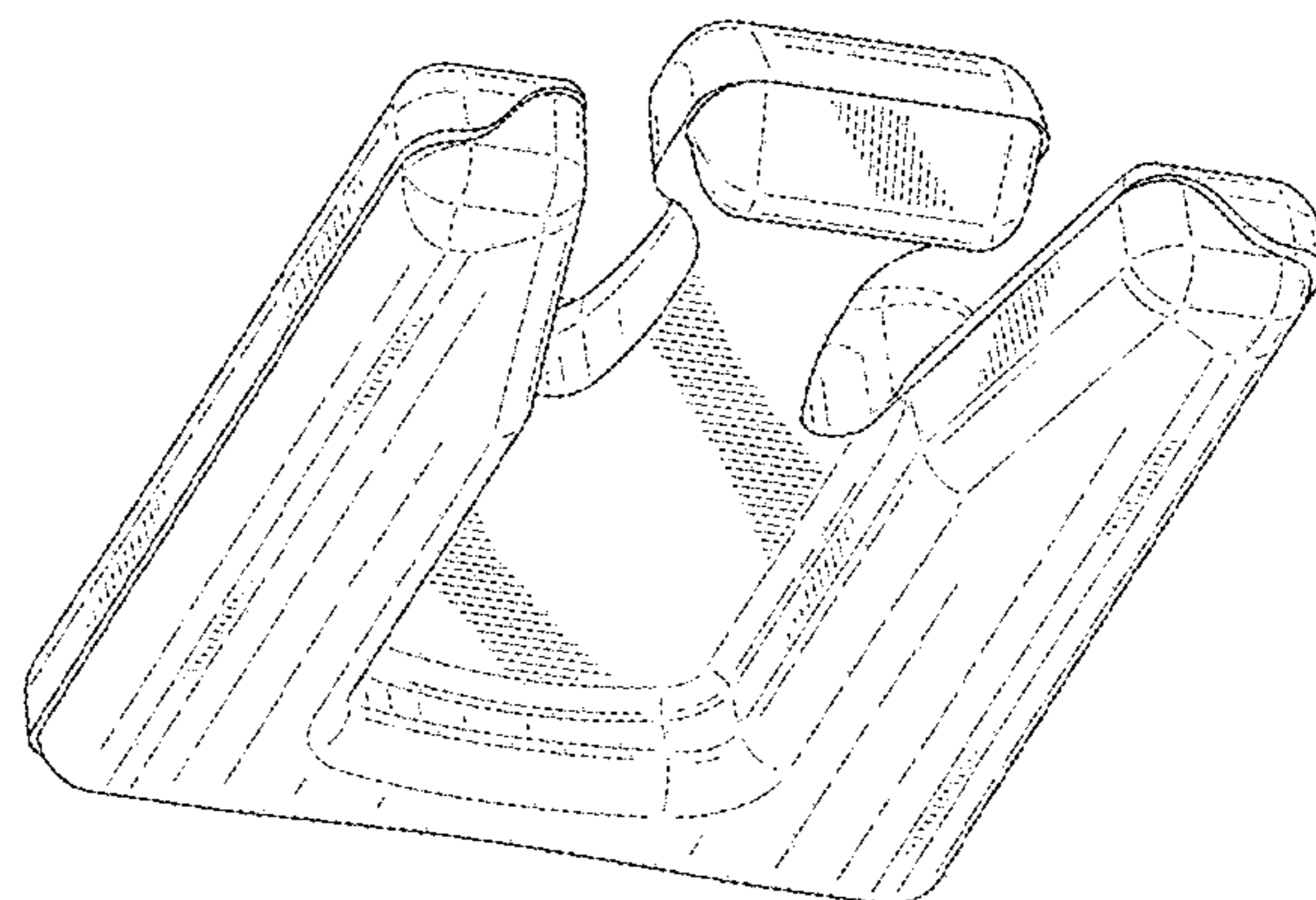
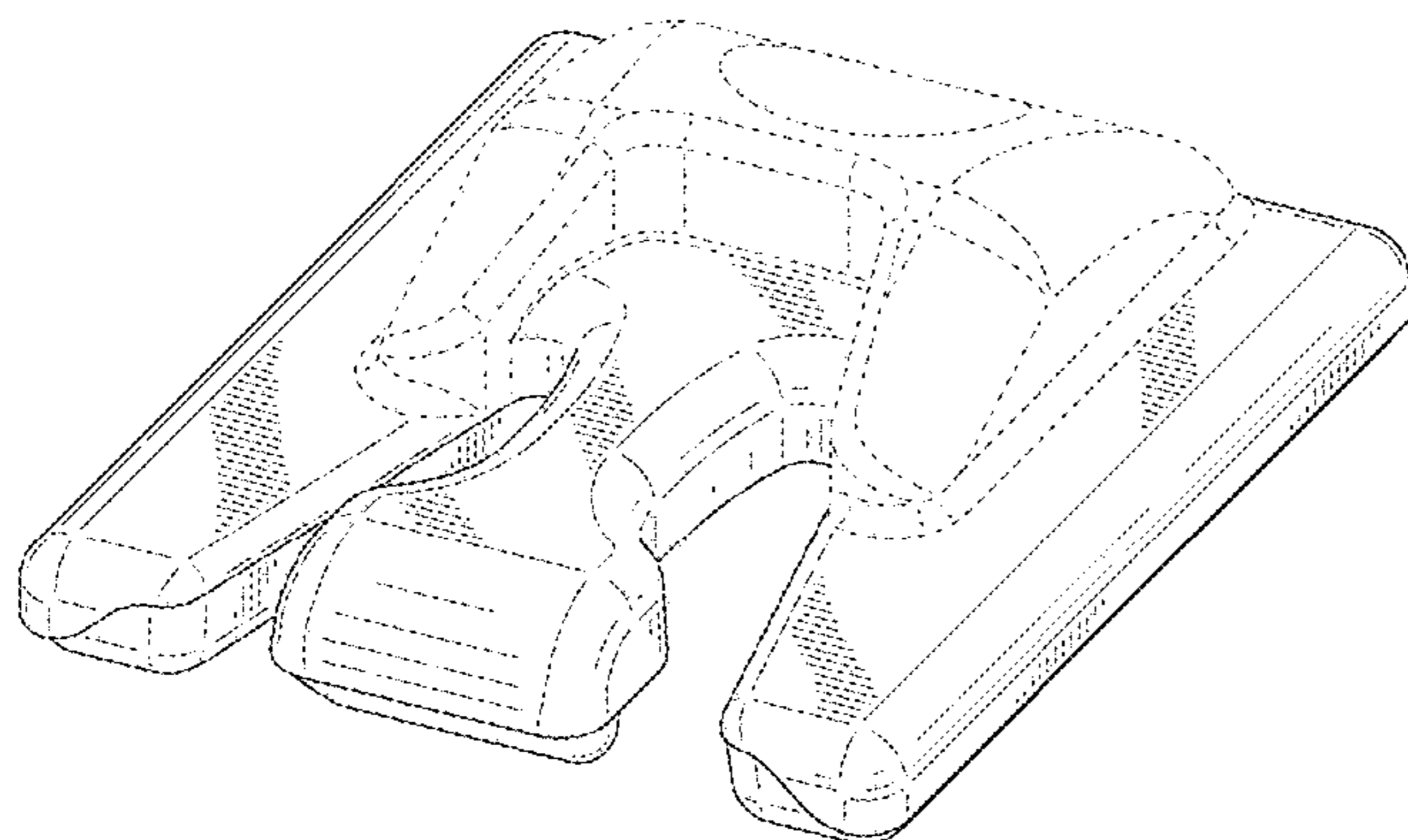
I claim the ornamental design for a ligating member for an orthodontic bracket, as shown and described.

**DESCRIPTION**

FIG. 1 is a top perspective view of a ligating member for an orthodontic bracket showing my new design; FIG. 2 is a bottom perspective view thereof; FIG. 3 is a top view thereof; FIG. 4 is a bottom view thereof; FIG. 5 a front end view thereof; FIG. 6 is a rear end view thereof; FIG. 7 is a left side view thereof; FIG. 8 is a right side view thereof; and, FIG. 9 is a cross-section view taken along line 9-9 of FIG. 5.

The broken lines in the figures depict unclaimed portions of the ligating member for an orthodontic bracket only and form no part of the claimed design. The designation of the views as front end, rear end, left side, right side, top, and bottom are for ease of discussion only and are not intended to limit the ligating member for an orthodontic bracket to one particular orientation. The ligating member for an orthodontic bracket may be oriented in other directions which would alter these designations.

**1 Claim, 4 Drawing Sheets**



(56)

**References Cited**

U.S. PATENT DOCUMENTS

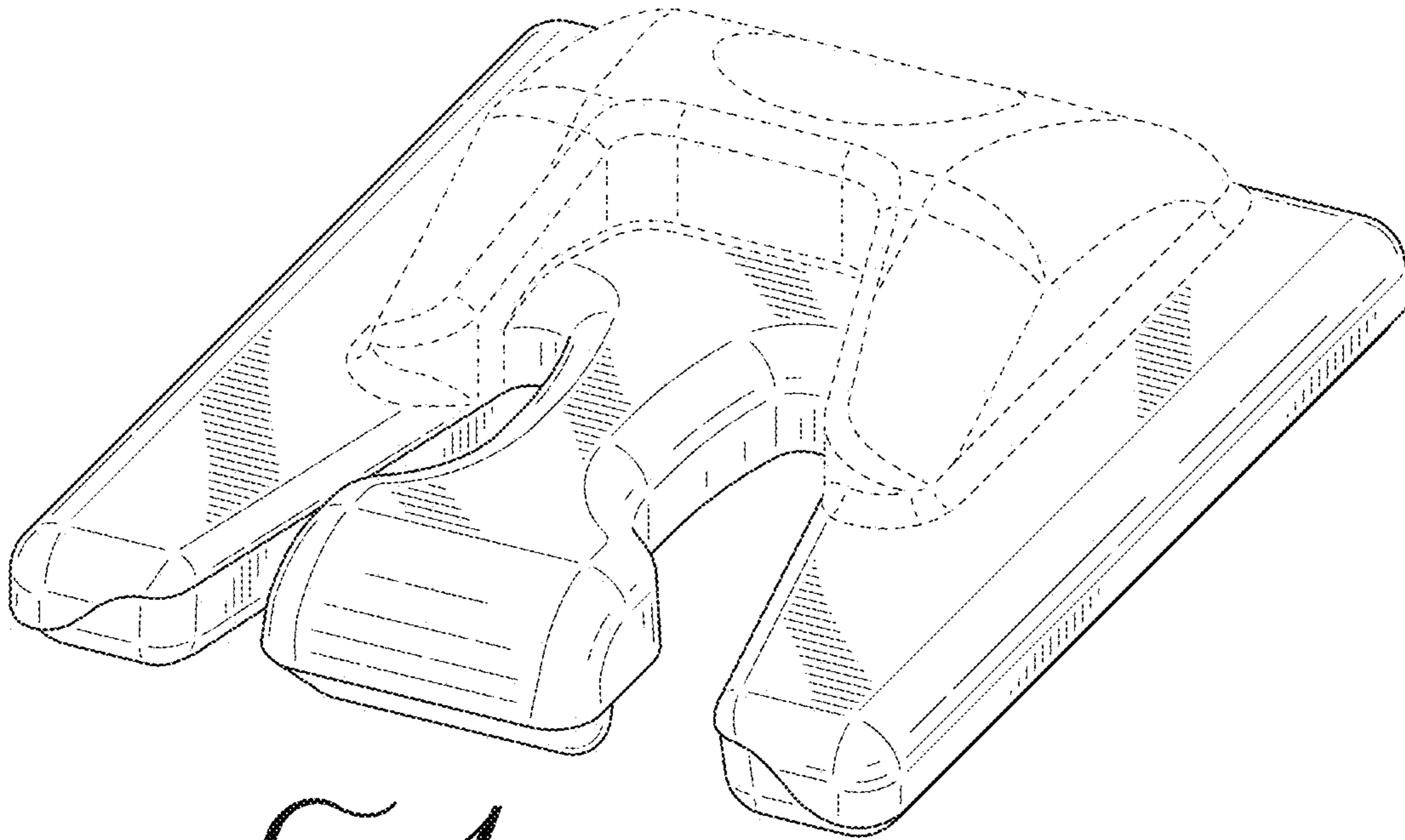
5,322,435	A	6/1994	Pletcher	
5,395,237	A	3/1995	Pospisil et al.	
6,168,428	B1	1/2001	Voudouris	
7,267,545	B2	9/2007	Oda	
7,416,408	B2	8/2008	Farzin-Nia et al.	
7,704,072	B2	4/2010	Damon	
7,780,443	B2	8/2010	Hagelganz et al.	
8,029,276	B1	10/2011	Lokar	
8,113,827	B2	2/2012	Farzin-Nia et al.	
8,568,138	B2	10/2013	Farzin-Nia et al.	
9,004,916	B2	4/2015	Ruiz-Vela et al.	
9,089,386	B2	7/2015	Hagelganz et al.	
9,492,247	B2*	11/2016	Ruiz-Vela .....	A61C 7/287
10,660,729	B2	5/2020	Lopes	
10,751,150	B2	8/2020	Oda	
2004/0063059	A1	4/2004	Meckel	
2004/0259048	A1	12/2004	Balabanovsky	
2005/0239012	A1*	10/2005	Bathen .....	A61C 7/287 433/10
2006/0154196	A1	7/2006	Oda	

2006/0177790	A1	8/2006	Farzin-Nia et al.	
2007/0134610	A1	6/2007	Wyllie, II et al.	
2007/0178422	A1	8/2007	Voudouris	
2008/0311534	A1	12/2008	Farzin-Nia et al.	
2009/0004617	A1	1/2009	Oda et al.	
2009/0004619	A1	1/2009	Oda et al.	
2010/0055636	A1	3/2010	Yeh et al.	
2010/0105000	A1	4/2010	Scommenga et al.	
2014/0141383	A1	5/2014	Hagelganz et al.	
2014/0141384	A1	5/2014	Hagelganz et al.	
2016/0367340	A1	12/2016	Ward	
2018/0271623	A1*	9/2018	Ruiz-Vela .....	A61C 7/287
2020/0078141	A1	3/2020	Ji	

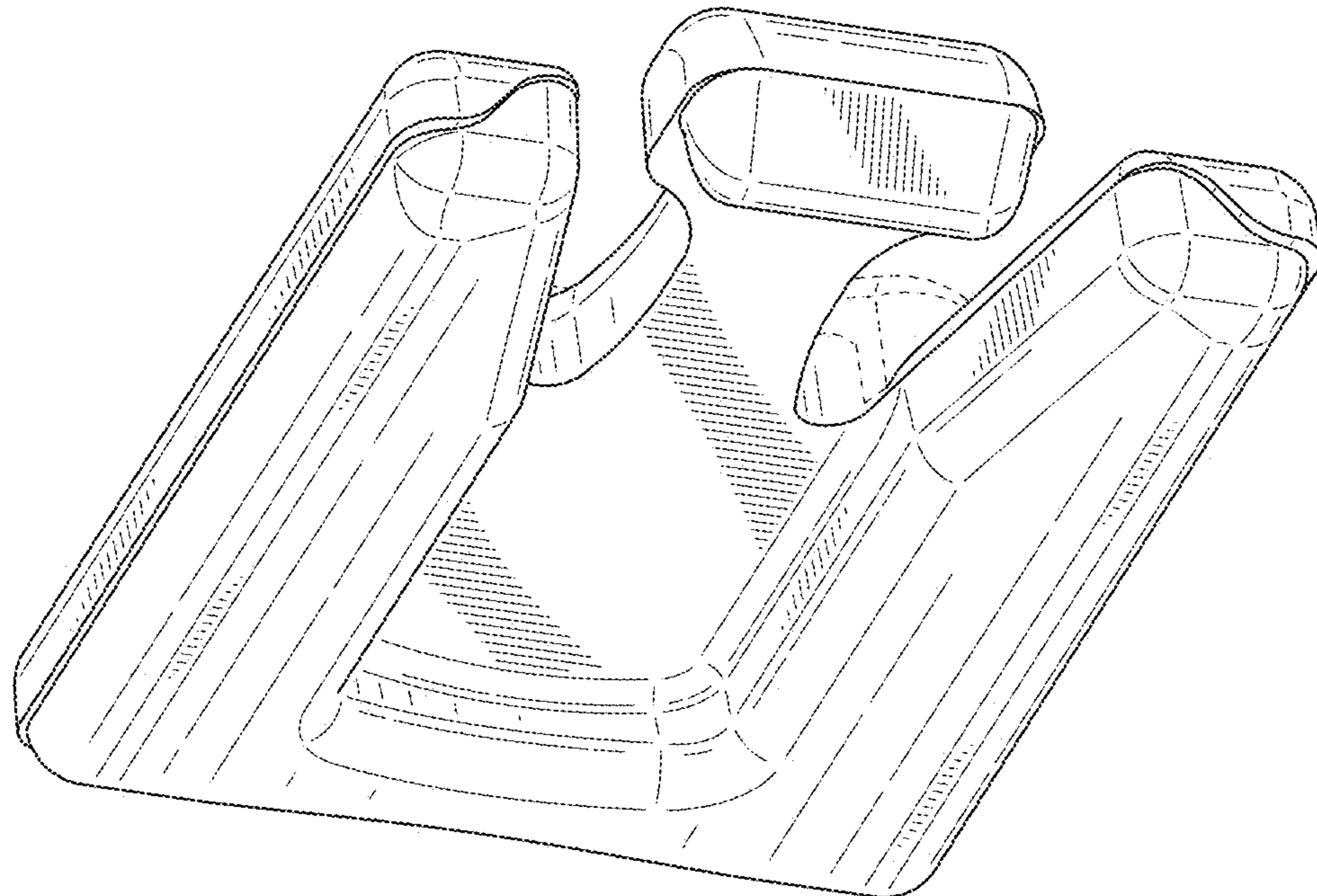
OTHER PUBLICATIONS

European Patent Office, Extended European Search Report for Application 18771177.5, dated Oct. 20, 2020, 7 pages.  
International Searching Authority, International Search Report and Written Opinion from PCT Application No. PCT/US2018/023403, dated Jun. 11, 2018, 9 pages.

\* cited by examiner



*FIG. 1*



*FIG. 2*

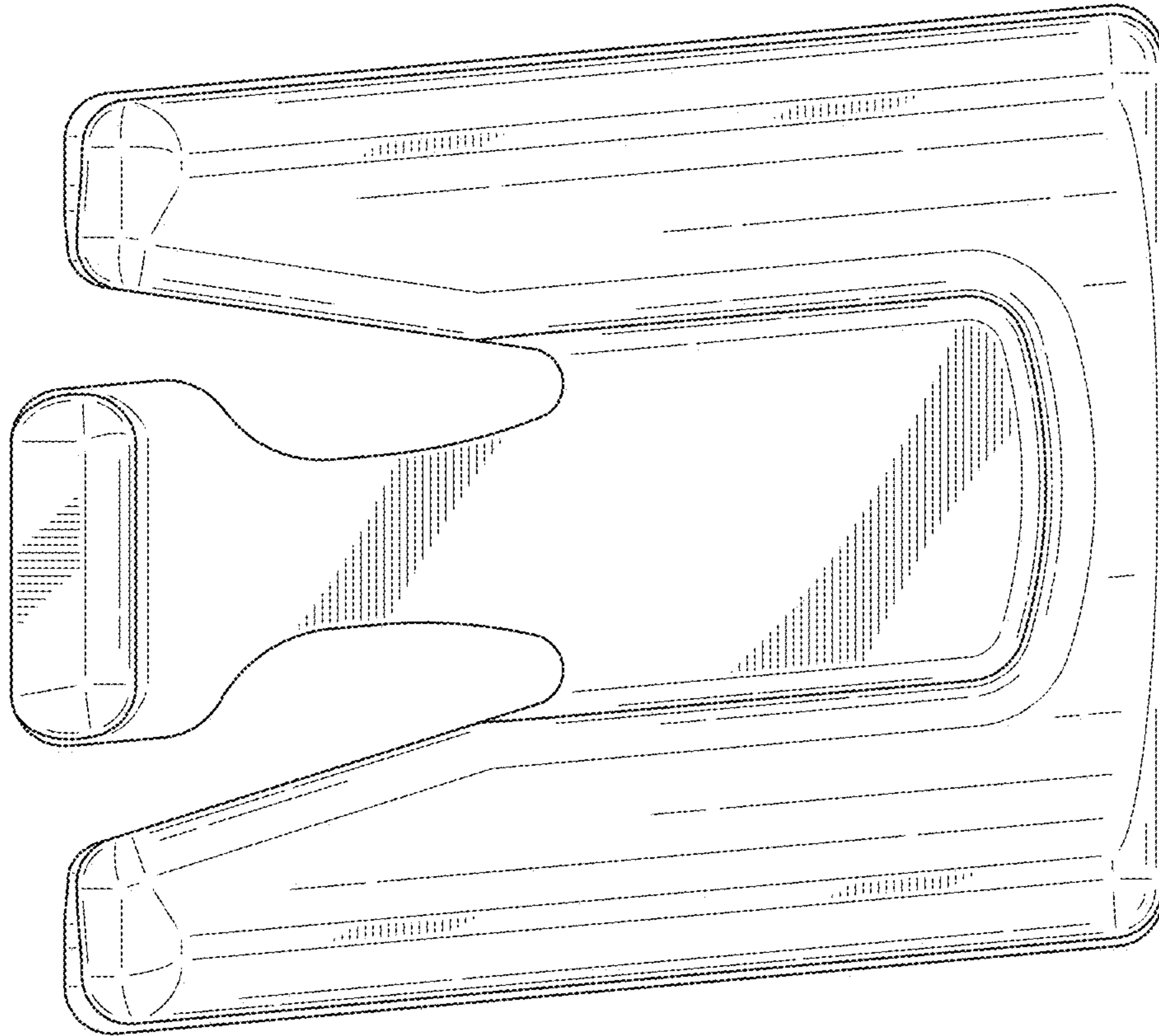


FIG. 4

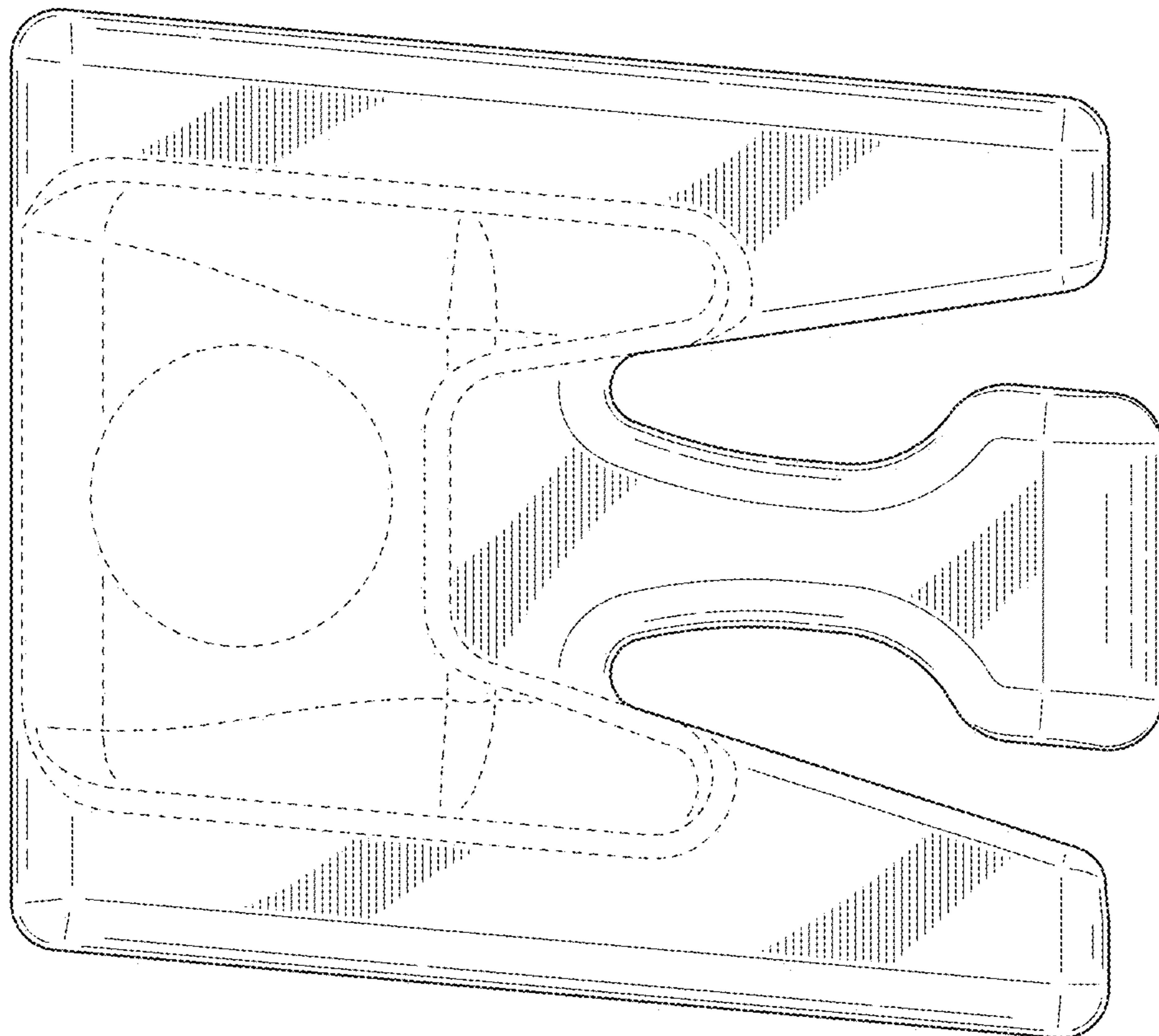
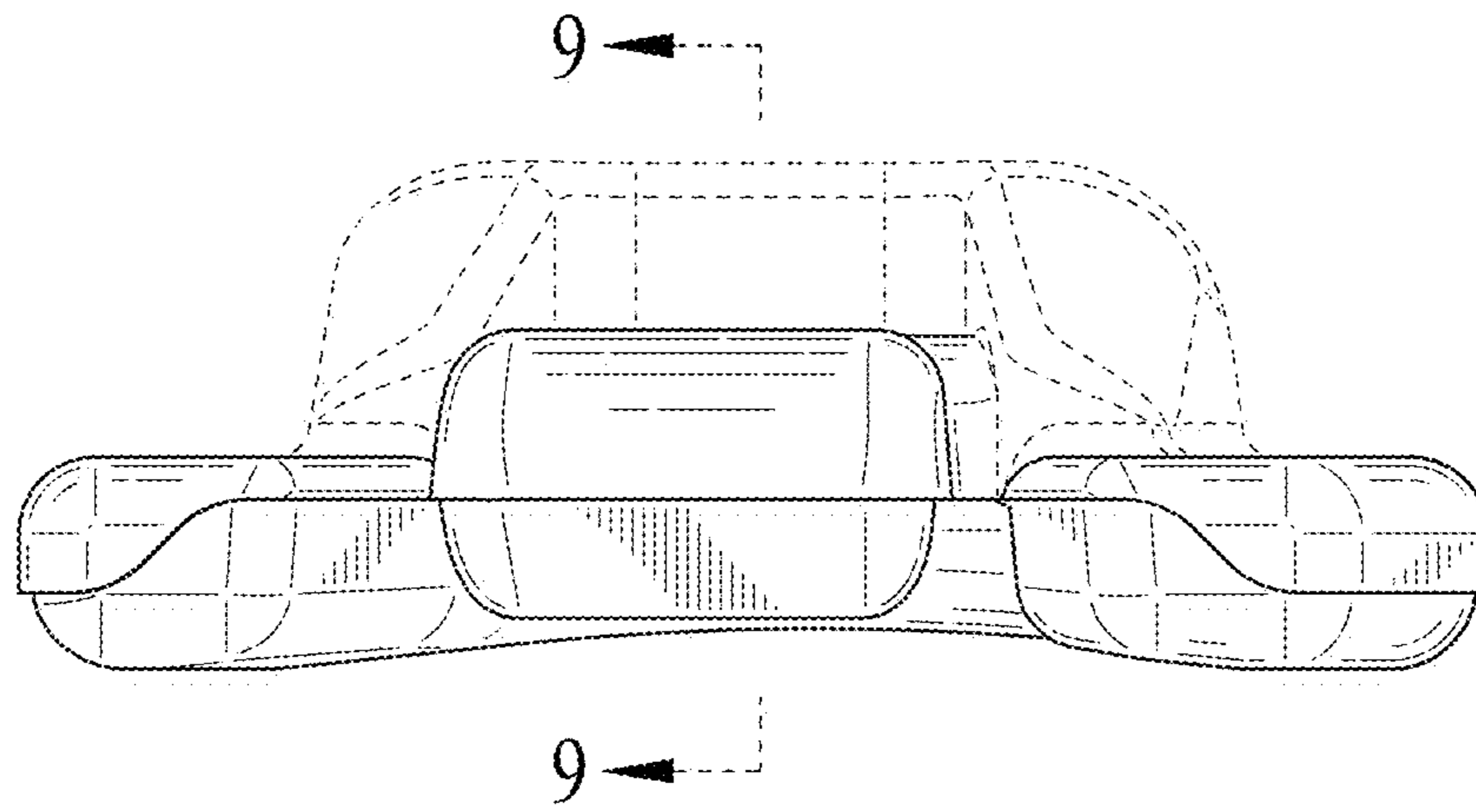
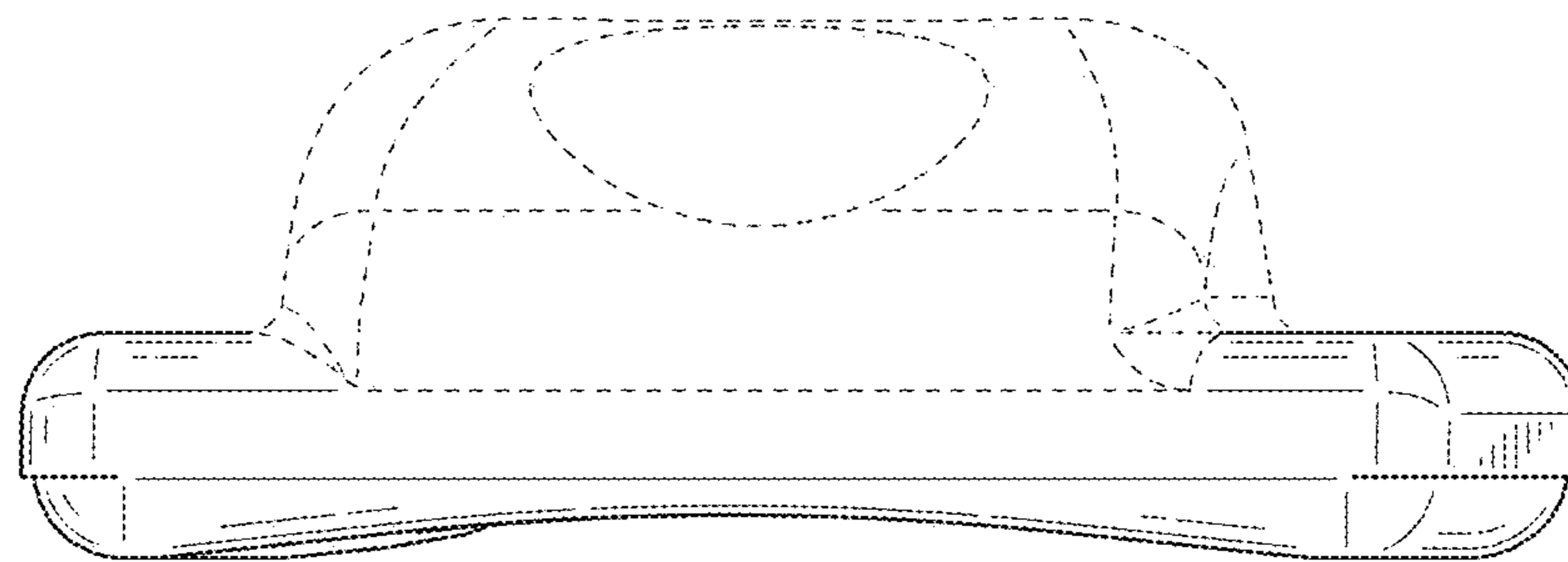


FIG. 3



*FIG. 5*



*FIG. 6*

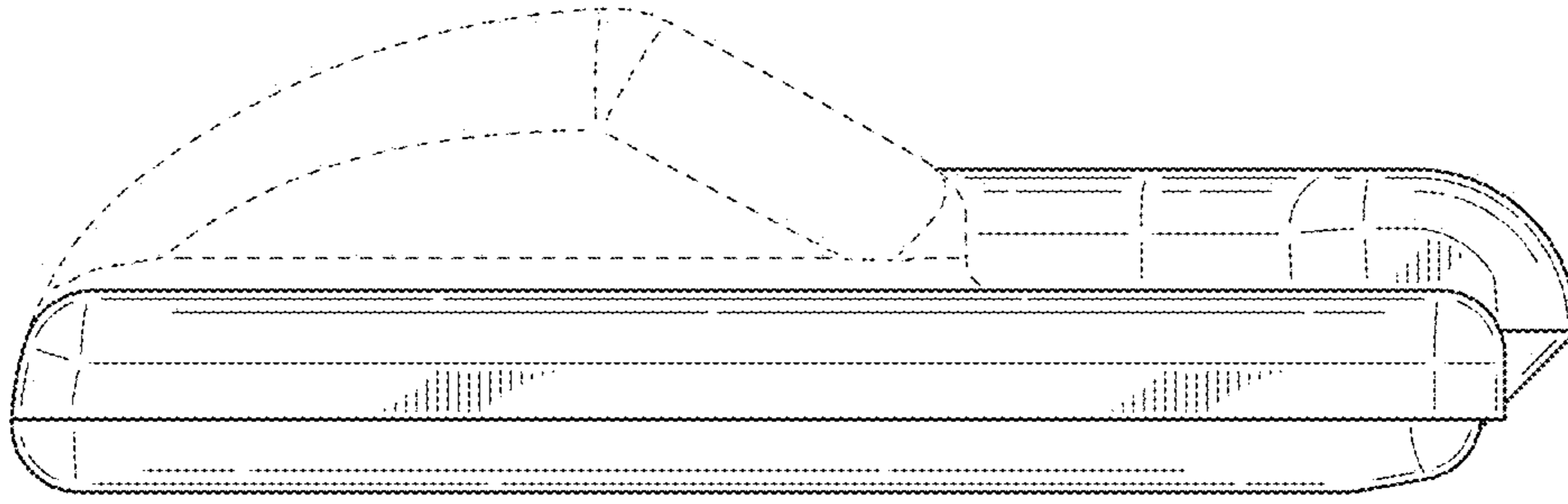


FIG. 7

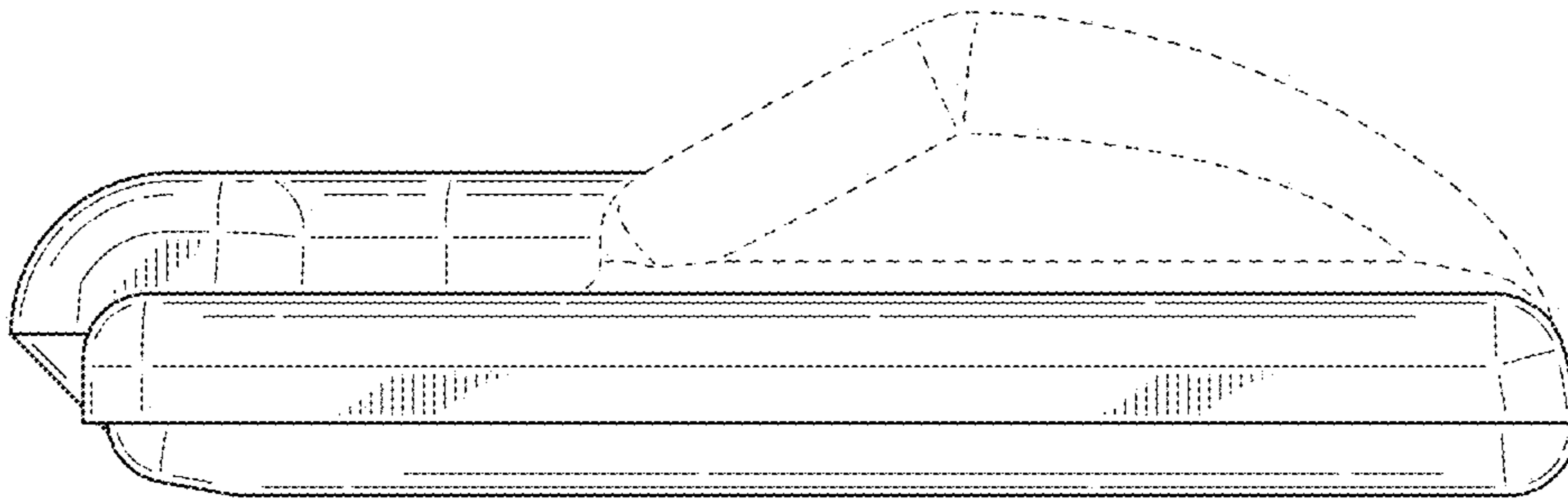


FIG. 8

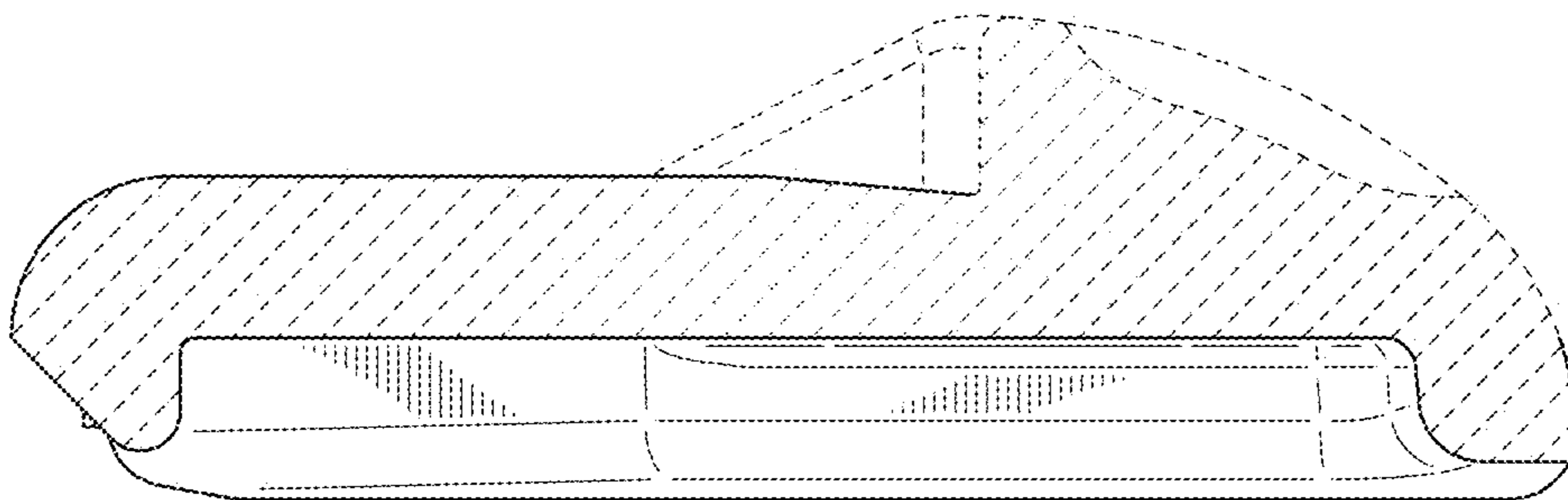


FIG. 9