



US00D958371S

(12) **United States Design Patent**
Ryder

(10) **Patent No.:** **US D958,371 S**
(45) **Date of Patent:** **** Jul. 19, 2022**

- (54) **SPLIT HYPERBARIC CHAMBER**
- (71) Applicant: **Frederick E Ryder**, Waddell, AZ (US)
- (72) Inventor: **Frederick E Ryder**, Waddell, AZ (US)
- (**) Term: **15 Years**
- (21) Appl. No.: **29/759,882**
- (22) Filed: **Nov. 25, 2020**
- (51) **LOC (13) Cl.** **24-02**
- (52) **U.S. Cl.**
USPC **D24/164**
- (58) **Field of Classification Search**
USPC D24/163, 164, 186, 110, 129, 110.5,
D24/110.6, 201, 202, 203; D10/50, 83,
D10/84, 85
CPC A61D 7/00; A61B 5/0013; A61B 5/0077;
A61G 10/026; A61G 11/00
See application file for complete search history.

- D651,714 S 1/2012 Dougherty
- D652,934 S 1/2012 Dougherty, IV
- D727,510 S 4/2015 Talati et al.
- (Continued)

FOREIGN PATENT DOCUMENTS

- KR 300640376.0000 * 4/2012
- KR 300640377.0000 * 4/2012
- KR 300781007.0000 * 1/2015

OTHER PUBLICATIONS

Hyperbaric Oxygen Chamber, Sep. 25, 2020, youtube.com [online], [site visited Mar. 8, 2022], Available from internet: <https://www.youtube.com/watch?v=NpEfNdfE-WQ> (Year: 2020).*

(Continued)

Primary Examiner — Wendy L Arminio
Assistant Examiner — Maheen Khurshid
(74) *Attorney, Agent, or Firm* — Mark V. Loen

(56) **References Cited**

U.S. PATENT DOCUMENTS

- D234,375 S * 2/1975 Grimes D24/163
- 3,877,427 A * 4/1975 Alexeev A61G 10/026
128/202.13
- D335,349 S * 5/1993 Lyon D24/173
- D346,864 S 5/1994 Reneau
- 5,327,904 A * 7/1994 Hannum A61G 10/026
128/205.25
- 5,402,775 A * 4/1995 Reneau A61G 10/026
600/21
- 5,433,334 A * 7/1995 Reneau E05C 5/00
220/319
- 5,678,543 A * 10/1997 Bower A62B 31/00
128/205.26
- 5,685,293 A * 11/1997 Watt A61G 10/026
128/205.26
- D415,278 S * 10/1999 Bowman D24/164
- 6,321,746 B1 * 11/2001 Schneider A61G 10/026
128/205.26
- D567,948 S * 4/2008 Tierney D24/163

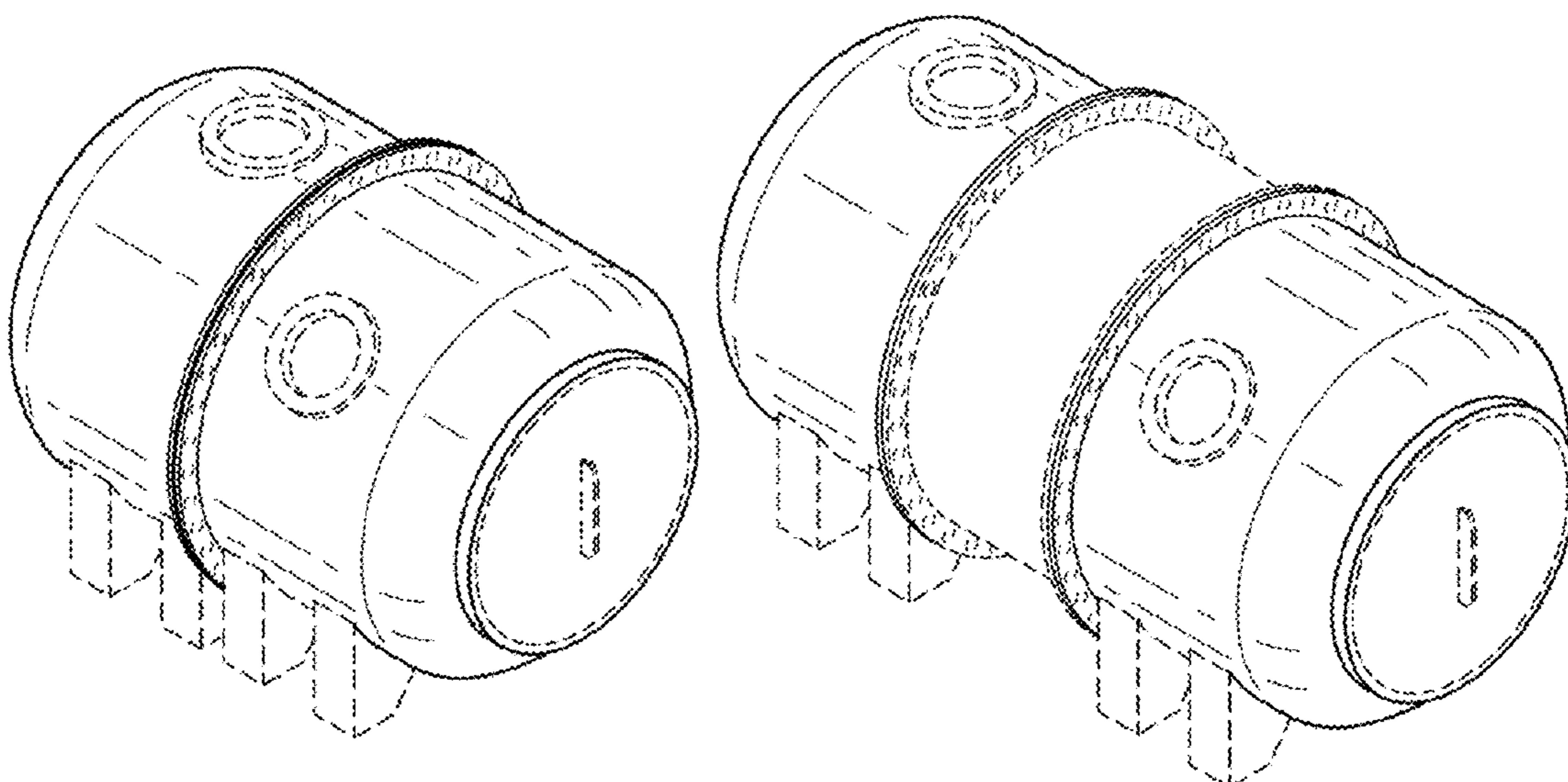
(57) **CLAIM**

The ornamental design for a split hyperbaric chamber, as shown and described.

DESCRIPTION

FIG. 1 is a front view of a split hyperbaric chamber;
FIG. 2 is a top view thereof;
FIG. 3 is a right side view;
FIG. 4 is a left side view thereof;
FIG. 5 is a bottom view thereof;
FIG. 6 is a back view thereof;
FIG. 7 is an isometric view thereof; and,
FIG. 8 is an isometric view of the split hyperbaric chamber of FIG. 1 shown in an alternate extended positioning with a mid-section drawn in broken lines that is not claimed. The broken lines depict portions of the split hyperbaric chamber that form no part of the claimed design.

1 Claim, 5 Drawing Sheets



(56)

References Cited

U.S. PATENT DOCUMENTS

9,186,232	B1	11/2015	Otto	
9,664,202	B2 *	5/2017	McKeeman F24F 5/0085
9,987,183	B2 *	6/2018	Yoon A61G 10/026
2008/0192894	A1 *	8/2008	O'Brien A61G 10/023 378/65
2008/0210234	A1 *	9/2008	O'Brien A61G 10/026 128/202.12
2009/0143719	A1 *	6/2009	Loori A61G 10/026 604/23
2010/0059059	A1 *	3/2010	Evans A61G 10/026 128/205.26
2013/0047988	A1 *	2/2013	Delp, II A61M 16/085 128/204.22
2013/0145506	A1 *	6/2013	Dean G01Q 60/24 850/9
2013/0206146	A1 *	8/2013	Dubois B63C 11/325 128/205.26
2013/0343875	A1 *	12/2013	McKeeman F04D 29/58 415/116
2020/0330307	A1 *	10/2020	McKeeman A61M 16/209

OTHER PUBLICATIONS

Revitalair 430 Hyperbaric Chamber, May 6, 2019, youtube.com [online], [site visited Mar. 8, 2022], Available from internet: <<https://www.youtube.com/watch?v=YG9dmCa1QVY>> (Year: 2019).*

Learn About Hyperbaric Oxygen Therapy, Jan. 26, 2016, youtube.com [online], [site visited Mar. 8, 2022], Available from internet: <<https://www.youtube.com/watch?v=izjmlIWiPwY>> (Year: 2016).*

* cited by examiner

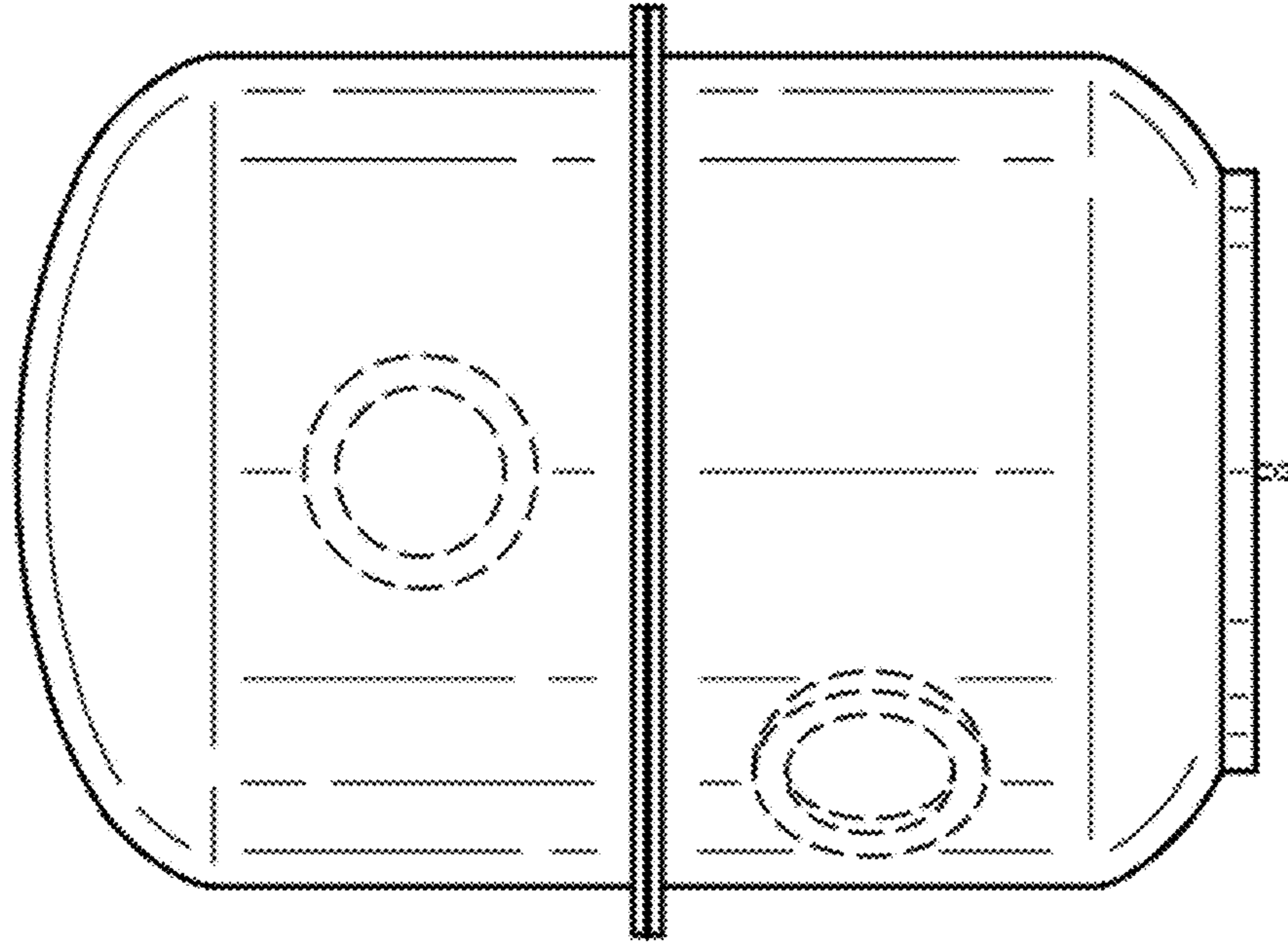


FIG. 2

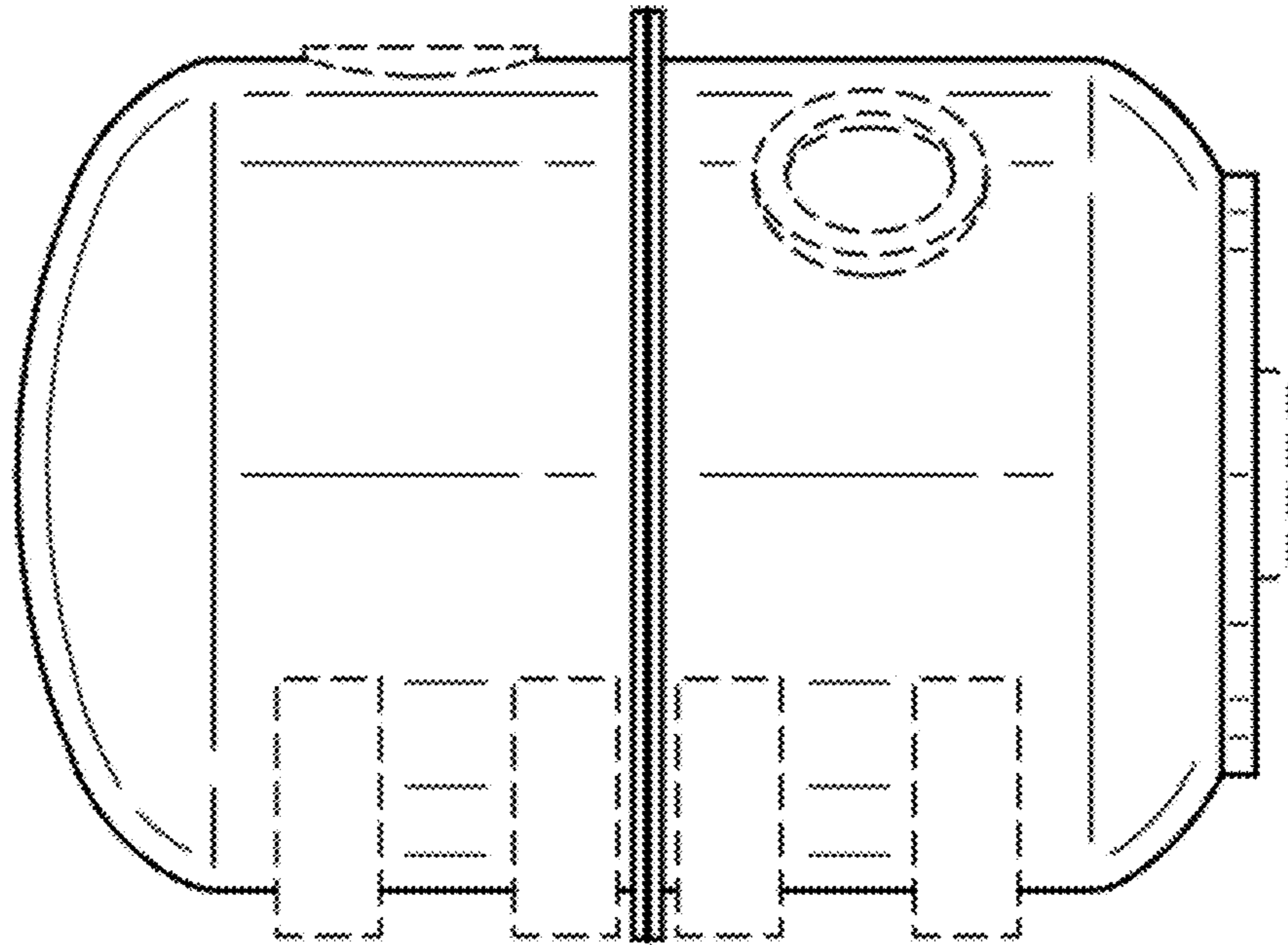


FIG. 1

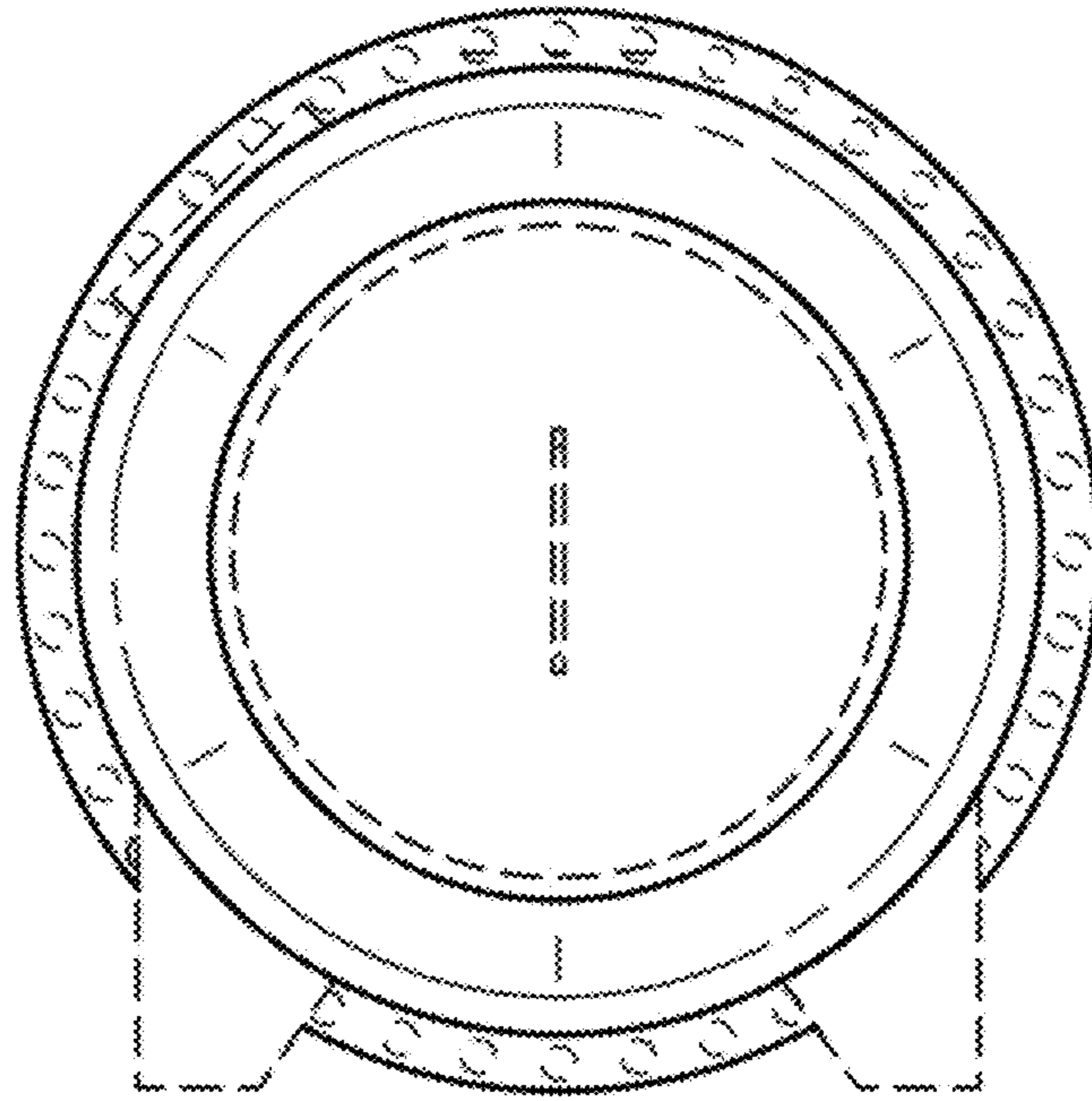


FIG. 3

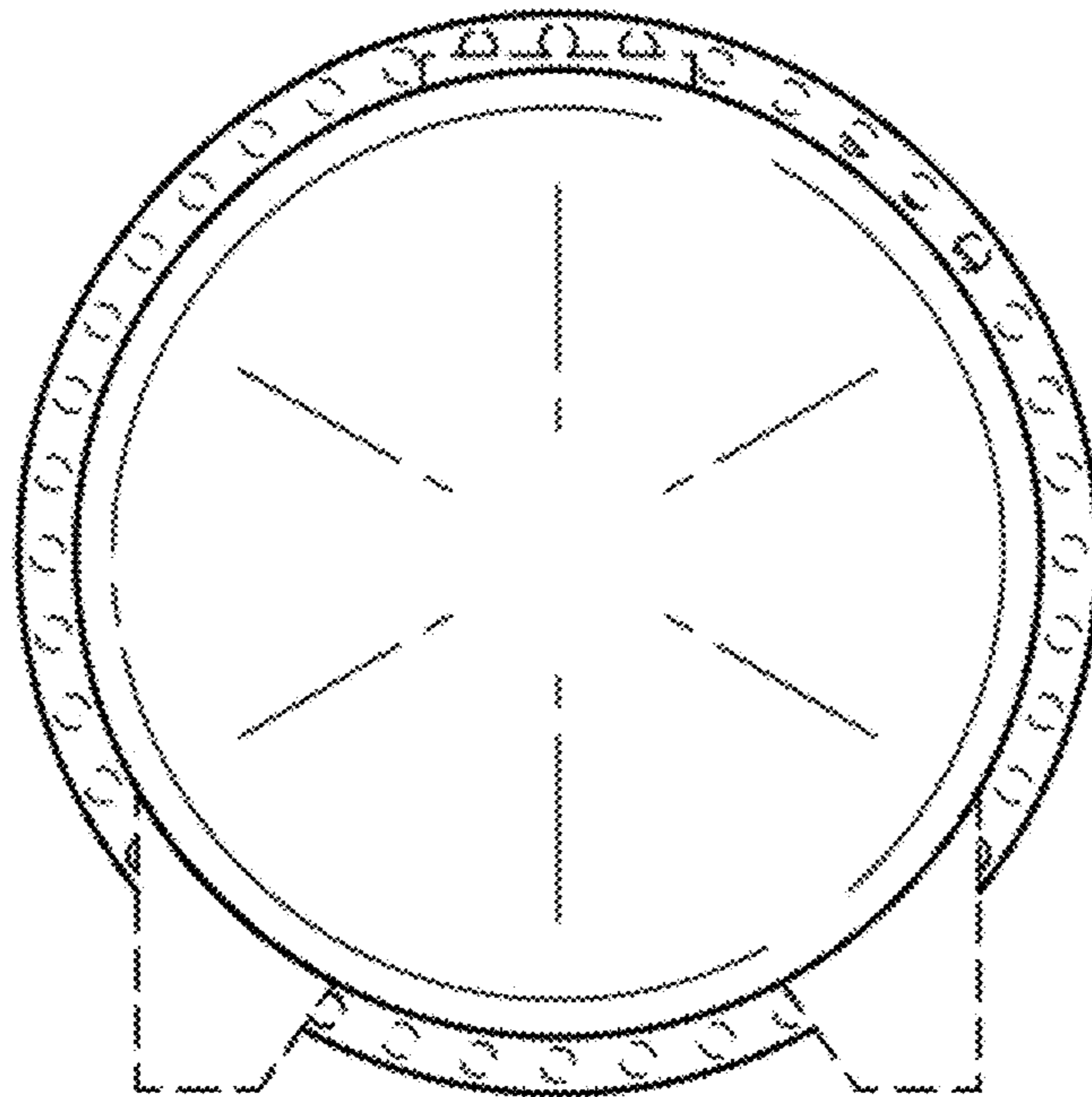


FIG. 4

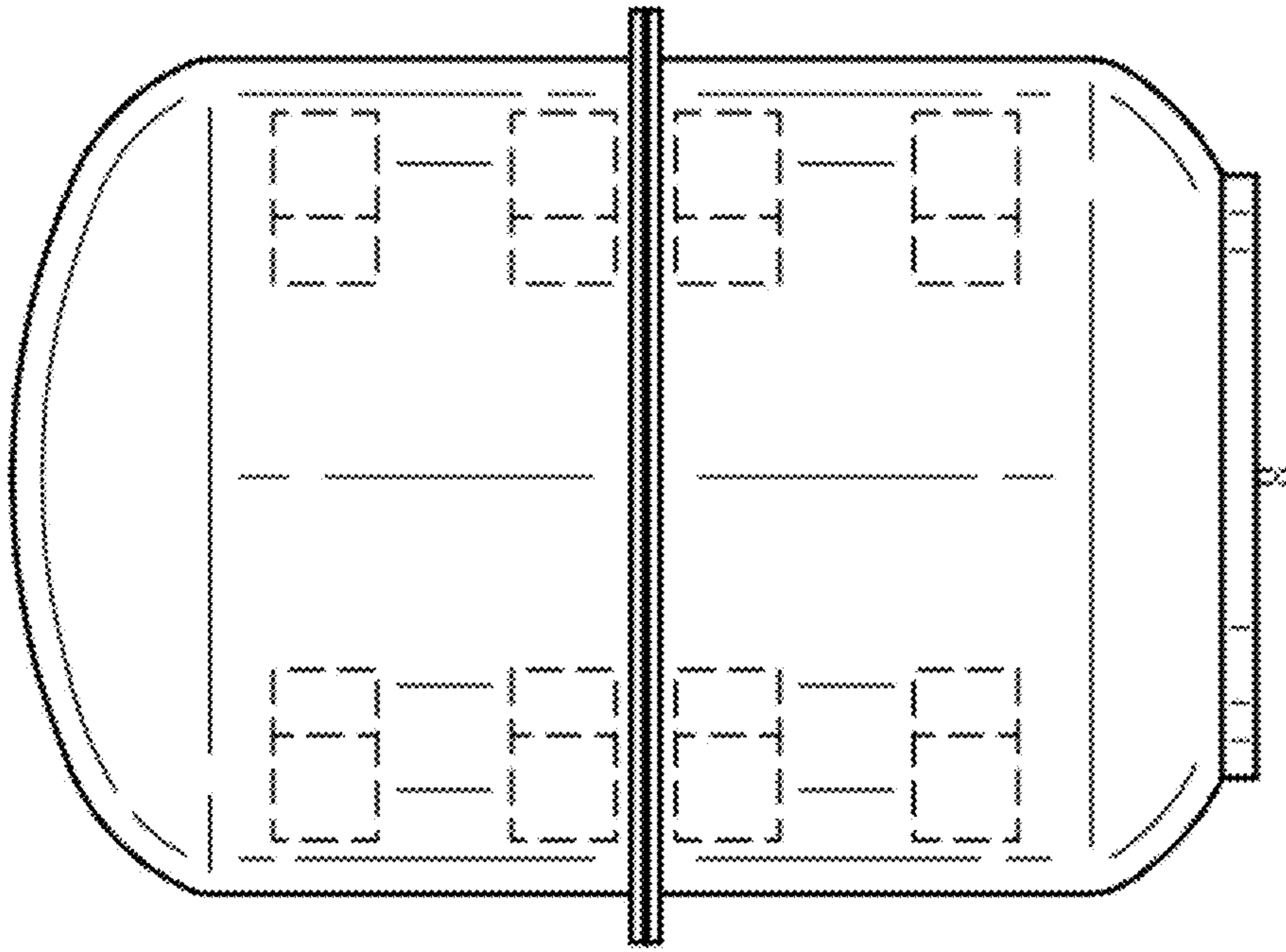


FIG. 5

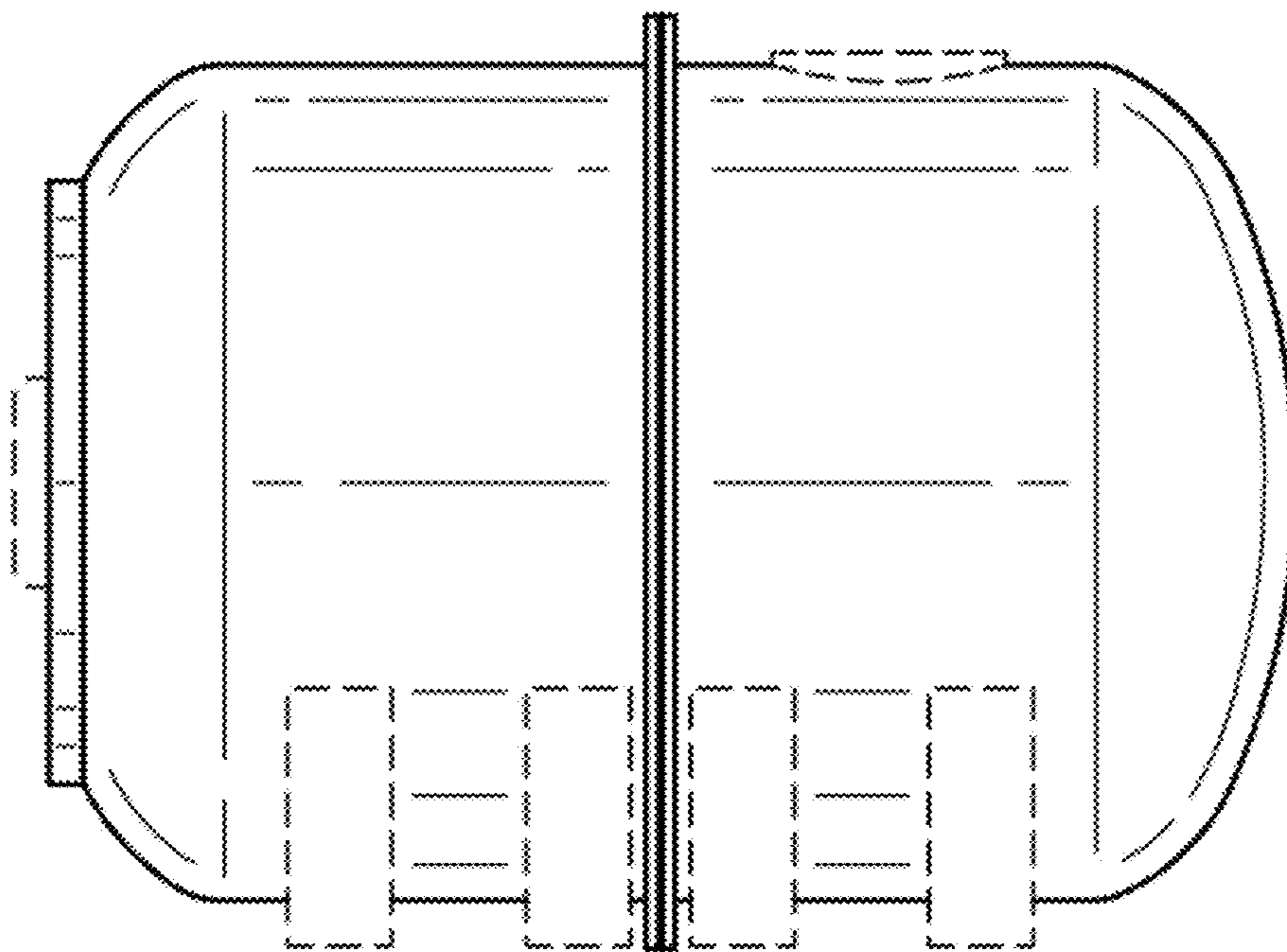


FIG. 6

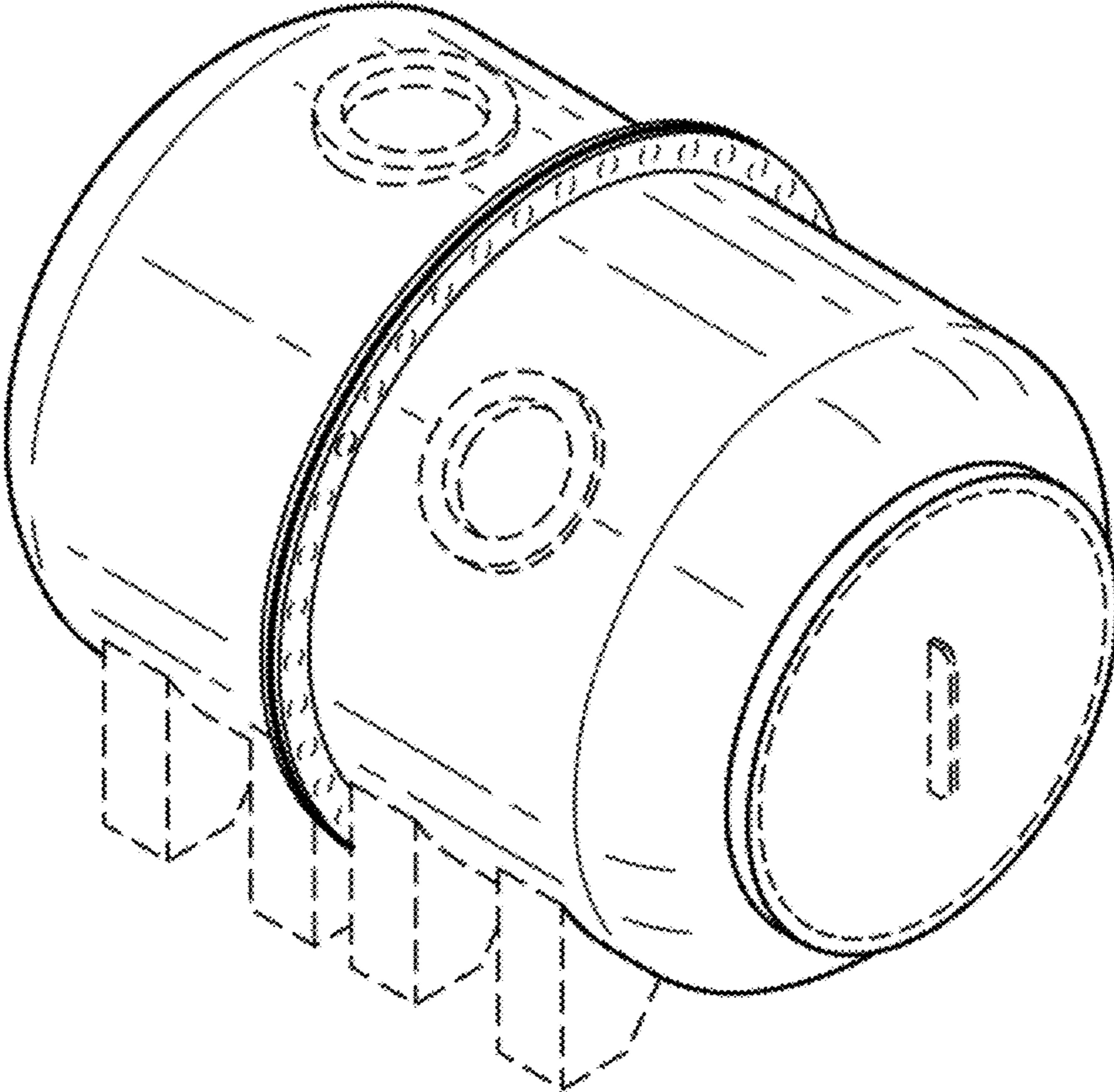


FIG. 7

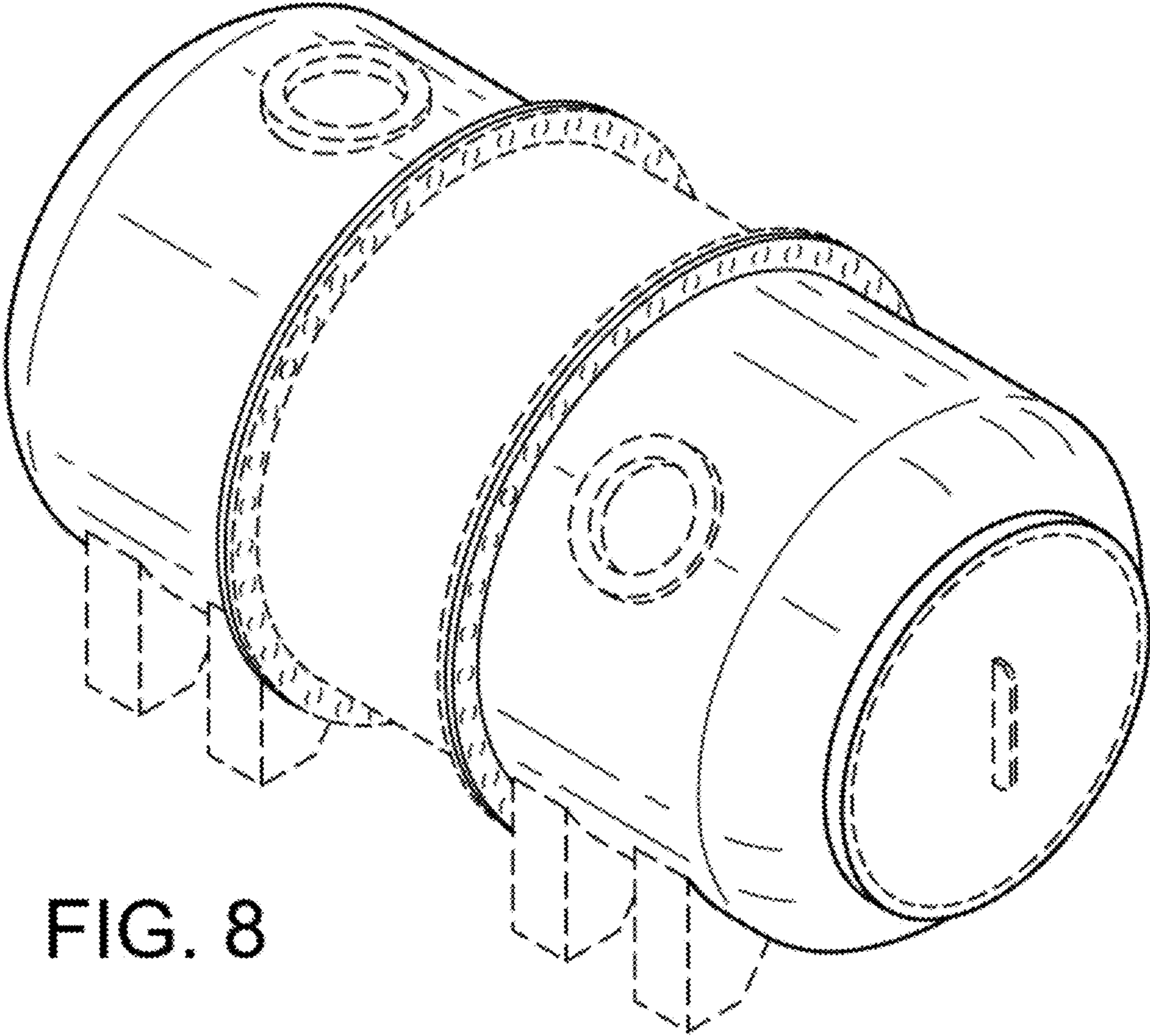


FIG. 8