



US00D958367S

(12) **United States Design Patent** (10) **Patent No.:** **US D958,367 S**
Refai (45) **Date of Patent:** **** Jul. 19, 2022**

(54) **SPINAL CAGE**

D720,458 S * 12/2014 Hagenmeyer D24/155
D742,008 S * 10/2015 Schifano D24/155
9,949,769 B2 * 4/2018 Serhan A61B 17/7062

(71) Applicant: **REFAI TECHNOLOGIES, LLC,**
Atlanta, GA (US)

(Continued)

(72) Inventor: **Daniel Refai,** Atlanta, GA (US)

FOREIGN PATENT DOCUMENTS

(73) Assignee: **REFAI TECHNOLOGIES, LLC,**
Atlanta, GA (US)

FR 2822674 A1 10/2002
WO 20120121726 A1 9/2012

(**) Term: **15 Years**

OTHER PUBLICATIONS

(21) Appl. No.: **29/802,289**

International Search Report and Written Opinion issued in PCT/
US2015/017080 dated Jul. 8, 2015.

(22) Filed: **Aug. 4, 2021**

(Continued)

Related U.S. Application Data

(63) Continuation of application No. 16/281,842, filed on
Feb. 21, 2019, now Pat. No. 11,083,594, which is a
continuation of application No. 15/121,088, filed on
Aug. 24, 2016, now Pat. No. 10,213,318.

Primary Examiner — Charles D Hanson

(74) *Attorney, Agent, or Firm* — Heslin Rothenberg
Farley & Mesiti PC

(51) **LOC (13) Cl.** **24-03**

(57) **CLAIM**

The ornamental design for a spinal cage, as shown and
described.

(52) **U.S. Cl.**

USPC **D24/155**

DESCRIPTION

(58) **Field of Classification Search**

USPC D24/155

CPC A61F 2/44

See application file for complete search history.

FIG. 1 is a front, top perspective view of a spinal cage
comprising the new design;

FIG. 2 is a back, bottom perspective view of the design of
FIG. 1;

FIG. 3 is a front elevational view of the design of FIG. 1;

FIG. 4 is a back elevational view of the design of FIG. 1;

FIG. 5 is a top view of the design of FIG. 1;

FIG. 6 is a bottom view of the design of FIG. 1;

FIG. 7 is a left side elevational of the design of FIG. 1; and,

FIG. 8 is a right side elevational view of the design of FIG.
1.

The broken lines are directed to the environment and are for
illustrative purposes only; the broken lines form no part of
the claimed spinal cage invention.

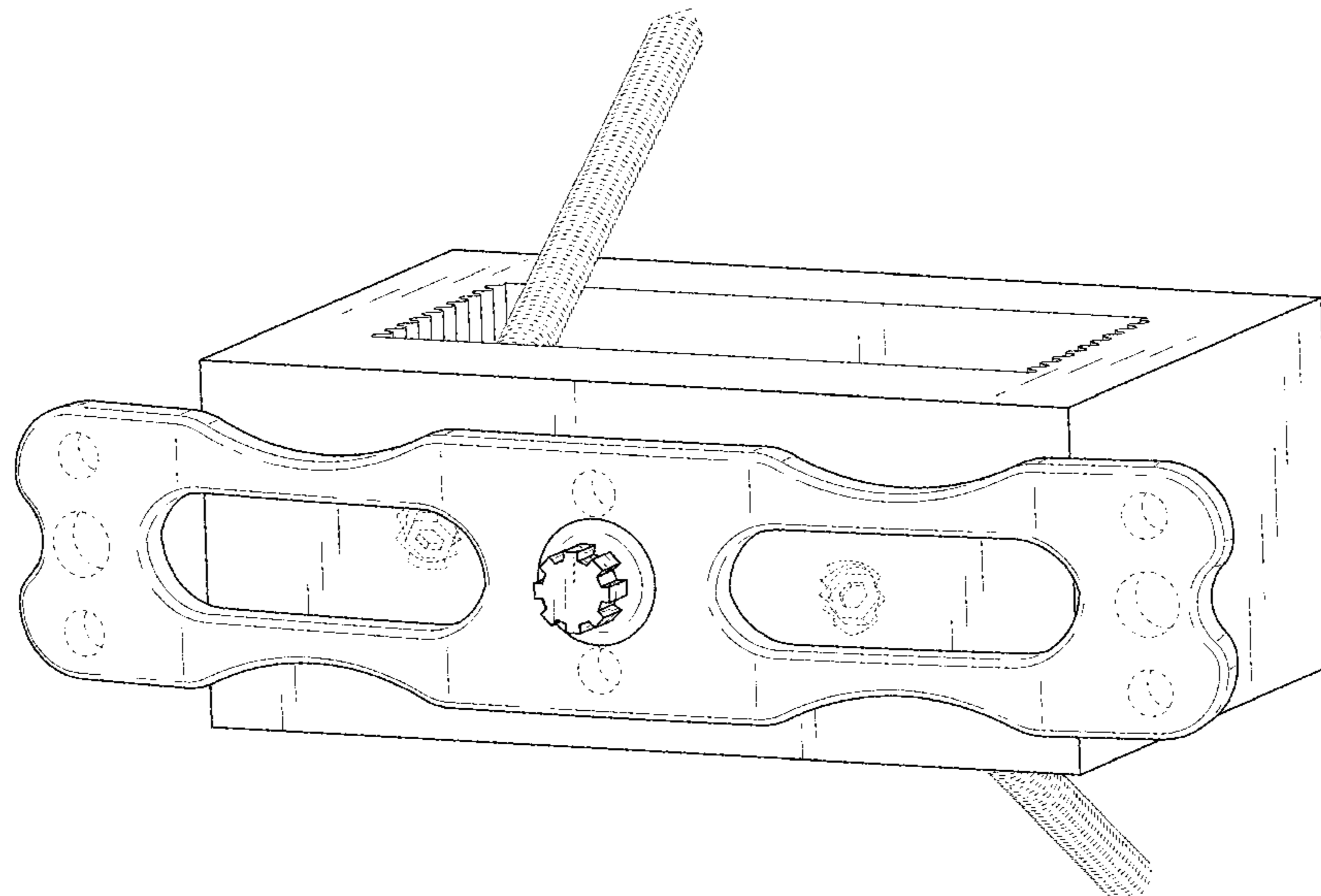
(56) **References Cited**

U.S. PATENT DOCUMENTS

6,159,245 A 12/2000 Meriwether et al.
6,428,542 B1 8/2002 Michelson
6,436,100 B1 8/2002 Berger
6,569,165 B2 5/2003 Wahl et al.
7,077,864 B2 7/2006 Byrd, III et al.
7,172,627 B2 2/2007 Fiere et al.
7,322,983 B2 * 1/2008 Harris A61B 17/8057
606/273

8,100,972 B1 1/2012 Bruffey et al.
8,268,000 B2 9/2012 Waugh et al.

1 Claim, 8 Drawing Sheets



(56)

References Cited

U.S. PATENT DOCUMENTS

D855,184 S * 7/2019 Predick A61B 17/8061
D24/155
2006/0085071 A1 4/2006 Lechmann et al.
2009/0105830 A1* 4/2009 Jones A61F 2/4465
606/301
2010/0249935 A1* 9/2010 Slivka A61F 2/4611
623/17.11
2012/0078371 A1* 3/2012 Gamache A61F 2/4465
623/17.16
2013/0158668 A1* 6/2013 Nichols A61F 2/4611
623/17.16
2013/0218276 A1* 8/2013 Fiechter A61F 2/4465
623/17.16
2013/0345814 A1 12/2013 Walkenhorst et al.
2014/0046447 A1 2/2014 Dunworth et al.
2014/0052255 A1 2/2014 Defalco et al.
2014/0100663 A1 4/2014 Messerli et al.
2014/0277497 A1* 9/2014 Bennett A61F 2/4455
623/17.16
2016/0228257 A1* 8/2016 Predick A61B 17/8095
2018/0333269 A1* 11/2018 Whipple A61B 17/86

OTHER PUBLICATIONS

Extended European Search Report issued in European Patent Appli-
cation No. 15755595.4 dated Oct. 30, 2017.

* cited by examiner

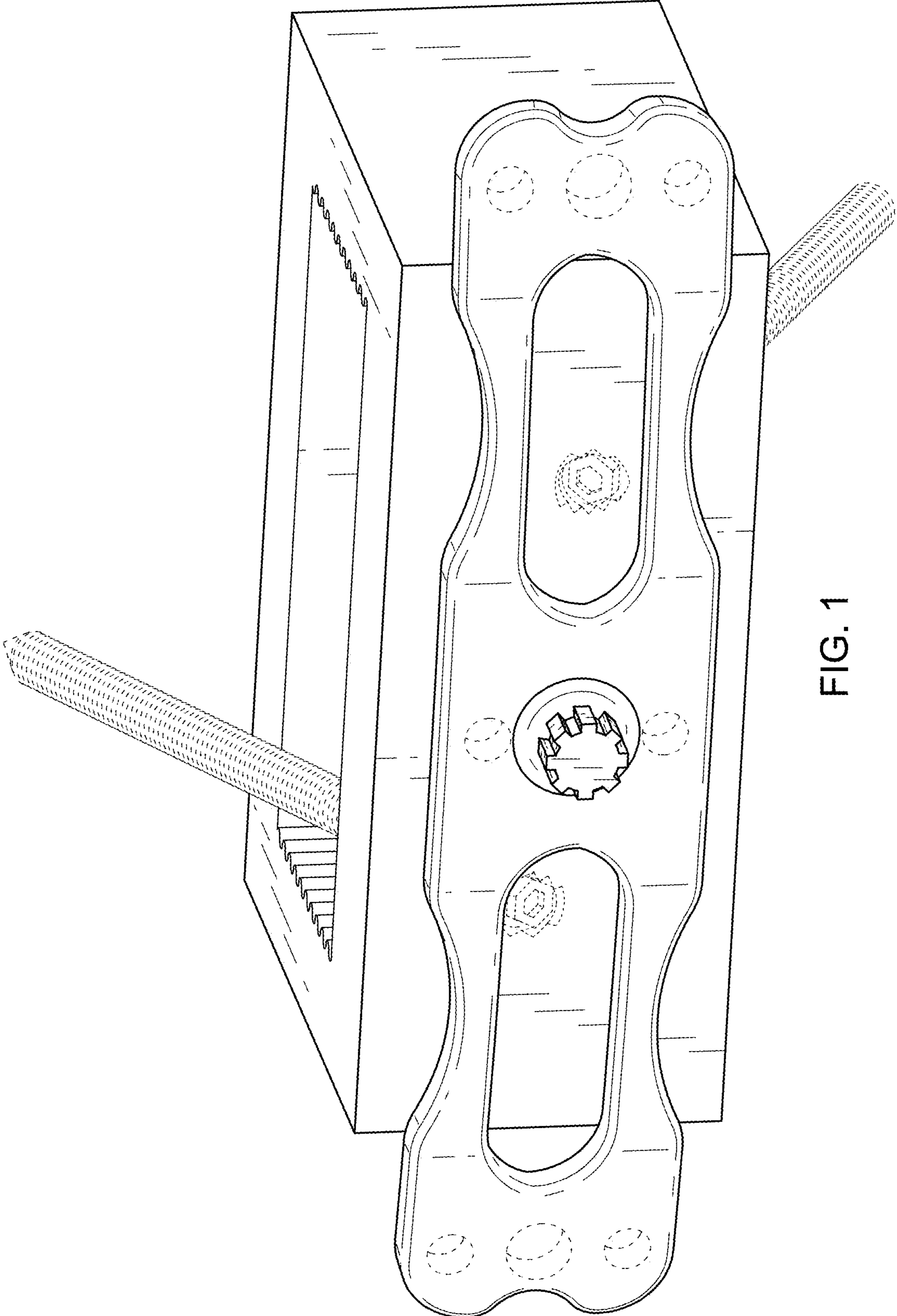


FIG. 1

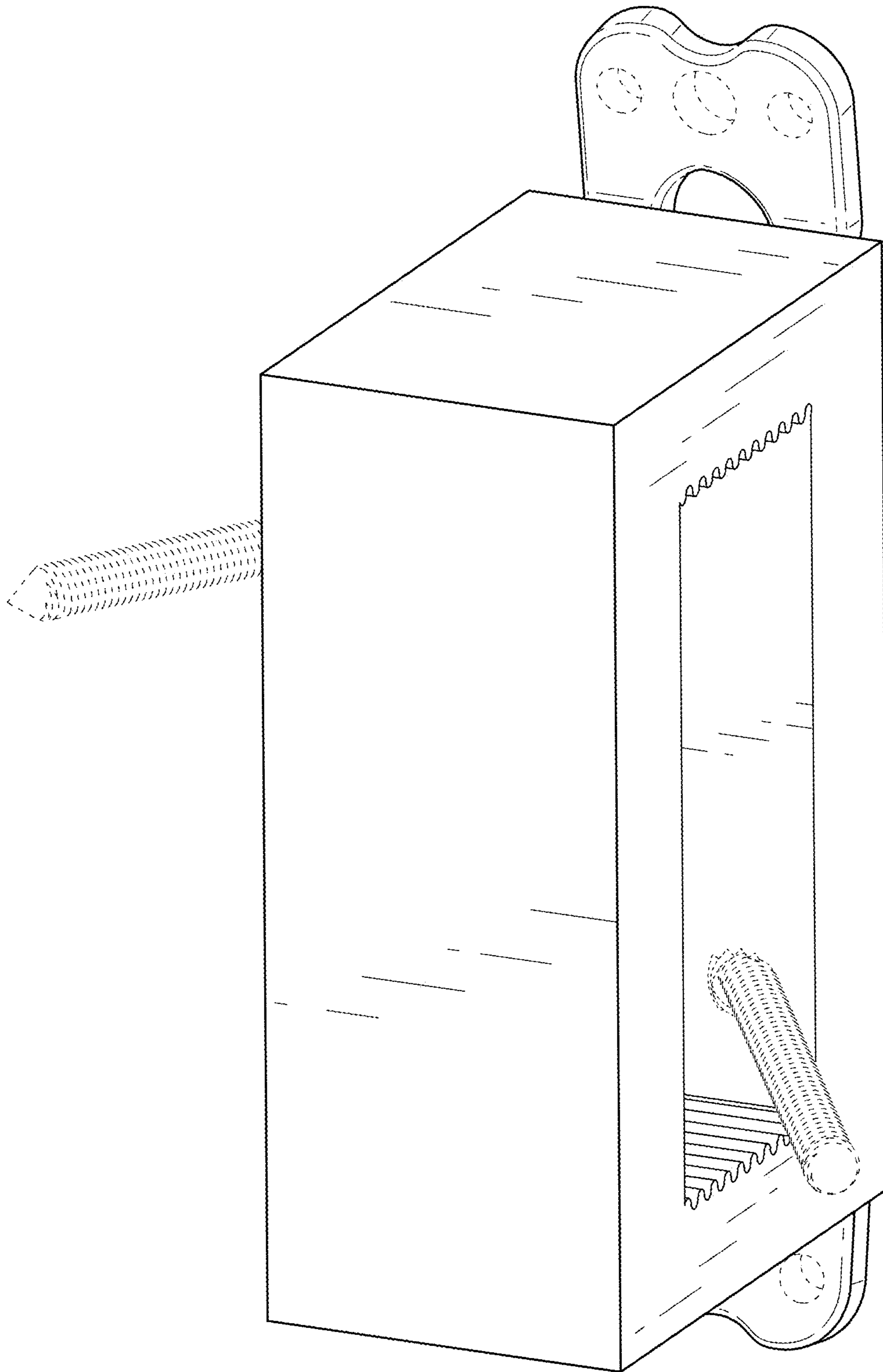


FIG. 2

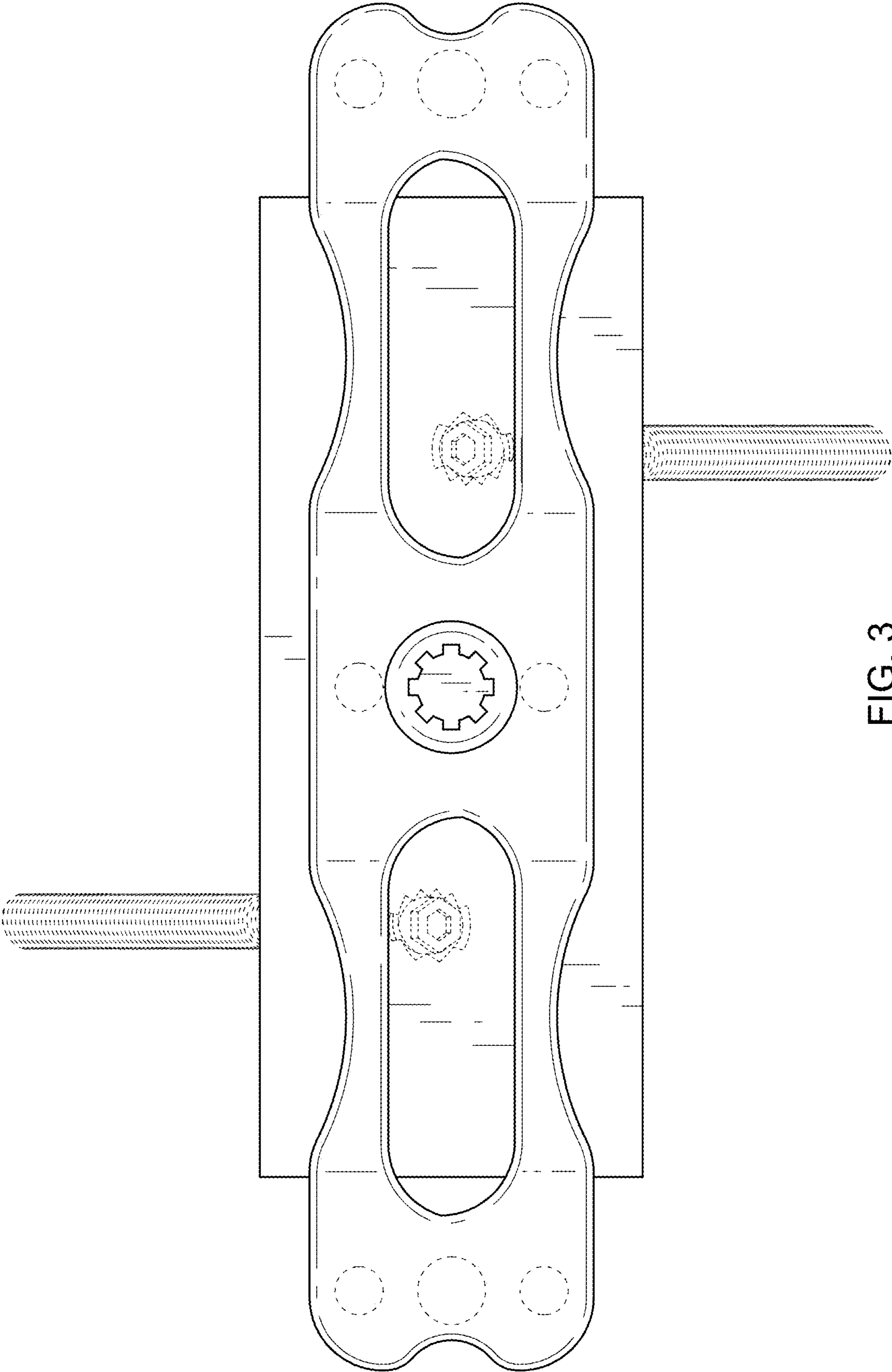


FIG. 3

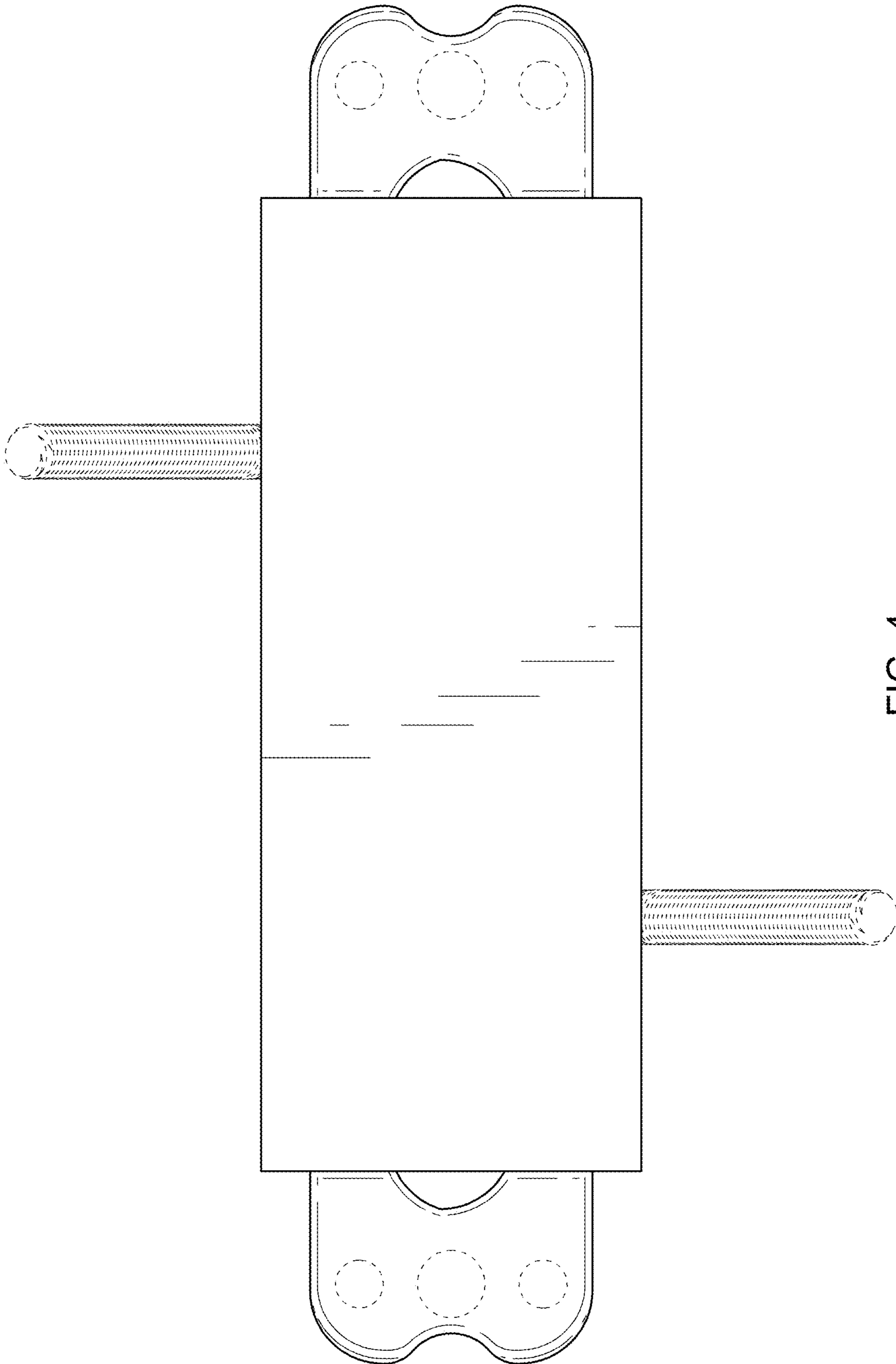


FIG. 4

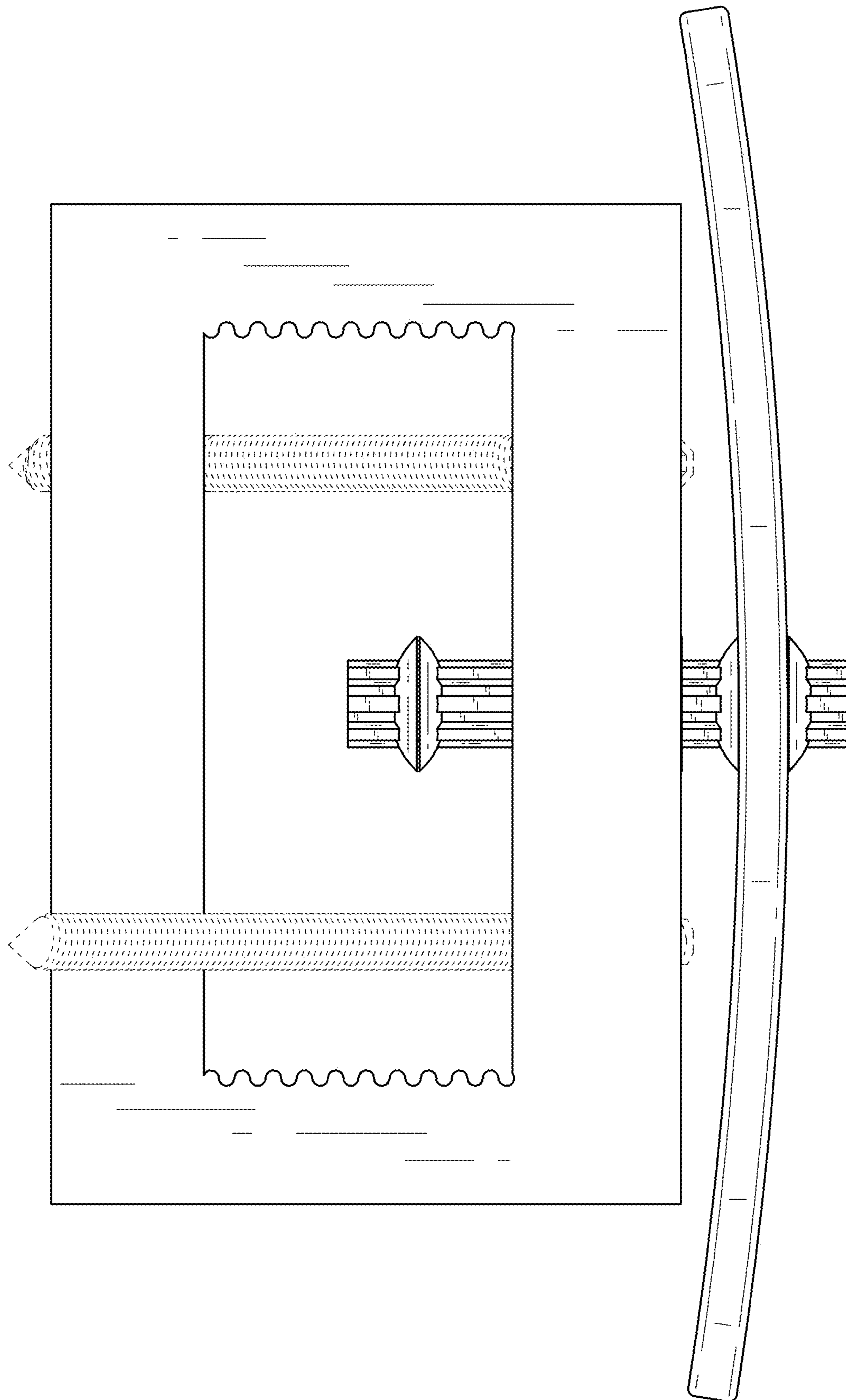


FIG. 5

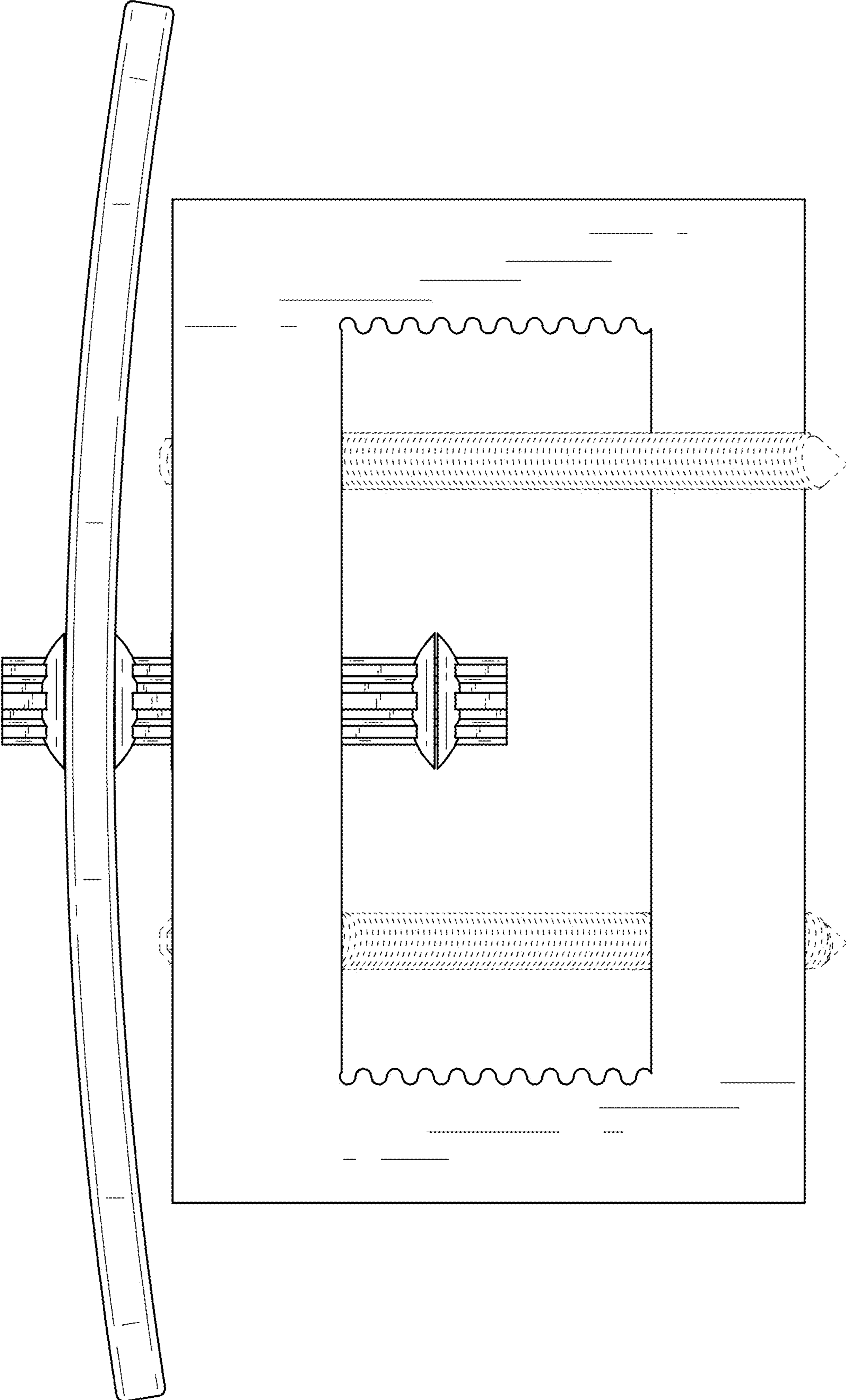


FIG. 6

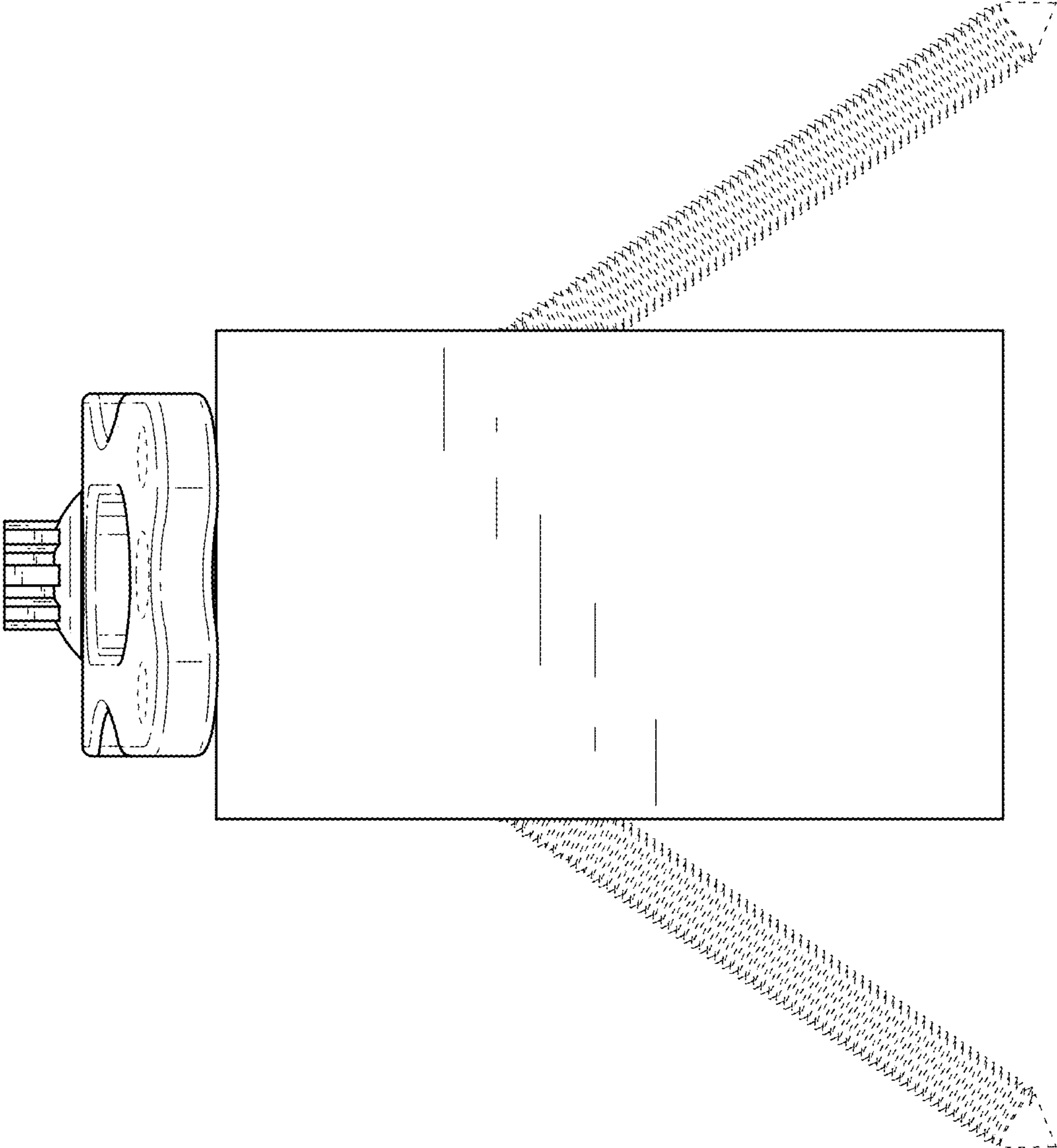


FIG. 7

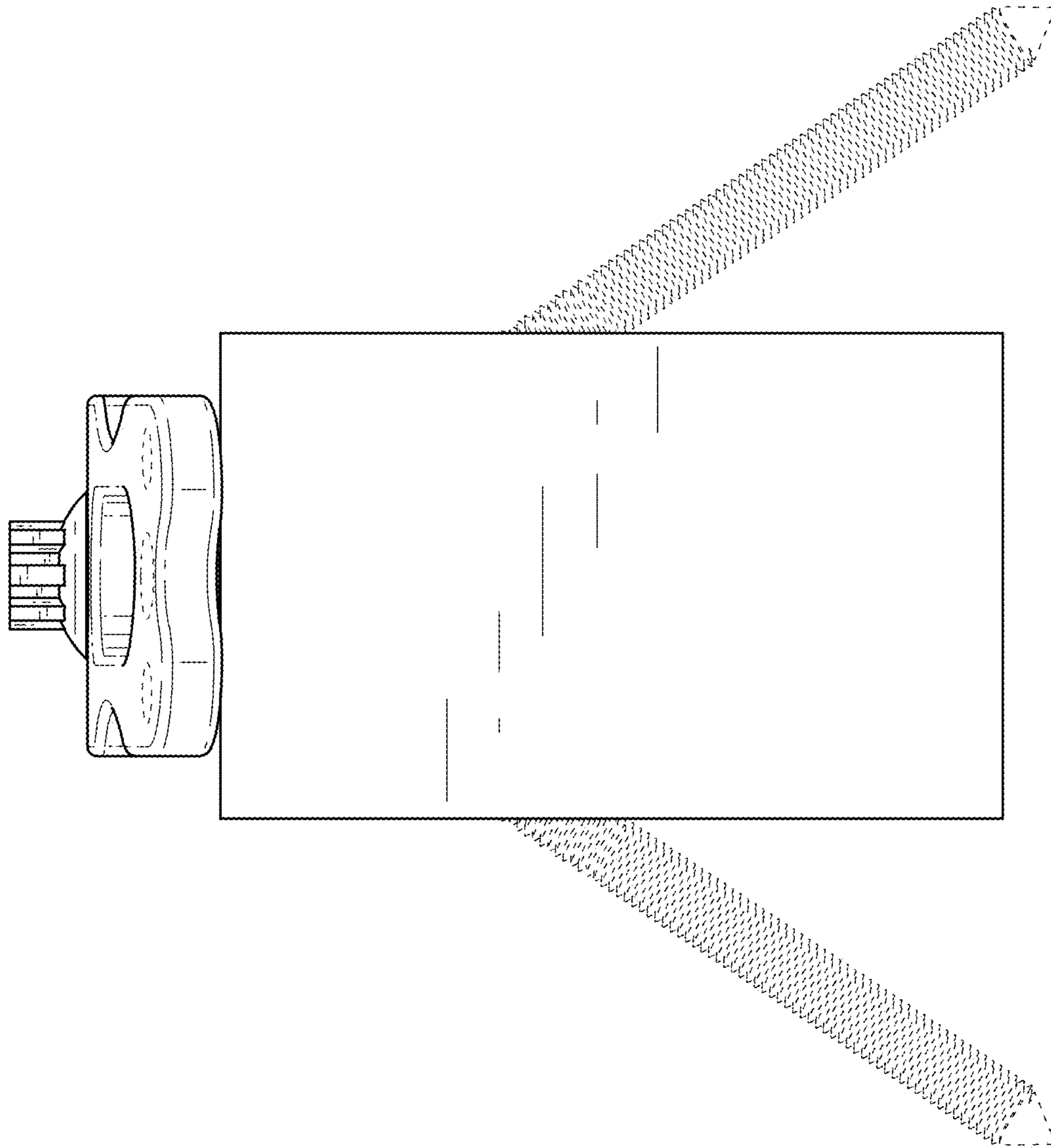


FIG. 8