



US00D958365S

(12) **United States Design Patent** (10) **Patent No.:** **US D958,365 S**  
**Fahl** (45) **Date of Patent:** **\*\* Jul. 19, 2022**

(54) **EPITHESES INSERT**  
(71) Applicant: **Andreas Fahl**  
**Medizintechnik-Vertrieb GmbH,**  
Cologne (DE)  
(72) Inventor: **Andreas Fahl,** Cologne (DE)  
(73) Assignee: **Andreas Fahl**  
**Medizintechnik-Vertrieb GmbH,**  
Cologne (DE)

(\*\*) Term: **15 Years**

(21) Appl. No.: **29/665,211**

(22) Filed: **Oct. 1, 2018**

(30) **Foreign Application Priority Data**

Mar. 29, 2018 (EM) ..... 005136926-0001  
Mar. 29, 2018 (EM) ..... 005136926-0002  
Mar. 29, 2018 (EM) ..... 005136926-0003  
Mar. 29, 2018 (EM) ..... 005136926-0004  
Mar. 29, 2018 (EM) ..... 005136926-0005  
Mar. 29, 2018 (EM) ..... 005136926-0006  
Mar. 29, 2018 (EM) ..... 005136926-0007

(51) **LOC (13) Cl.** ..... **24-03**

(52) **U.S. Cl.**  
USPC ..... **D24/155**

(58) **Field of Classification Search**  
USPC ..... D24/155  
CPC ..... A61F 2/14; A61F 2/18  
See application file for complete search history.

(56) **References Cited**

**U.S. PATENT DOCUMENTS**

1,287,903 A \* 12/1918 Daily ..... A63B 57/40  
473/180  
2,933,318 A \* 4/1960 Boynton ..... A63B 63/00  
473/186

D385,610 S \* 10/1997 McDonald ..... D21/790  
D411,601 S \* 6/1999 Fong ..... D21/791  
5,951,602 A \* 9/1999 Eaton ..... A61F 2/141  
623/66.1  
D673,635 S \* 1/2013 Cameron ..... D21/791  
9,327,176 B1 \* 5/2016 Goserud ..... A63B 67/02  
D862,622 S \* 10/2019 Goserud ..... D21/791  
D916,222 S \* 4/2021 Goserud ..... D21/791  
2016/0331514 A1 \* 11/2016 Christopherson ..... A61F 2/141  
2020/0316850 A1 \* 10/2020 Seitz ..... B29C 64/112  
2021/0106424 A1 \* 4/2021 Dimitroulis ..... A61F 2/2875

\* cited by examiner

*Primary Examiner* — Charles D Hanson

(74) *Attorney, Agent, or Firm* — Dinsmore & Shohl LLP

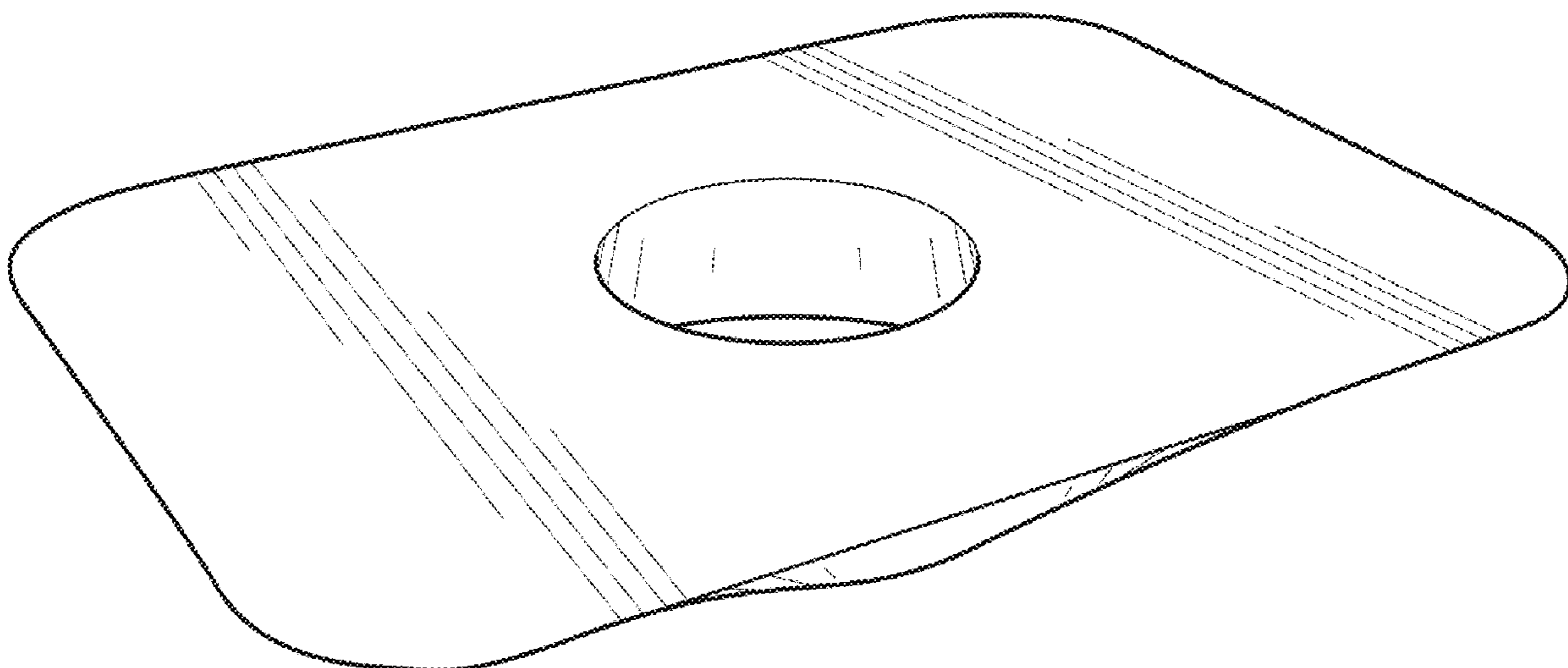
(57) **CLAIM**

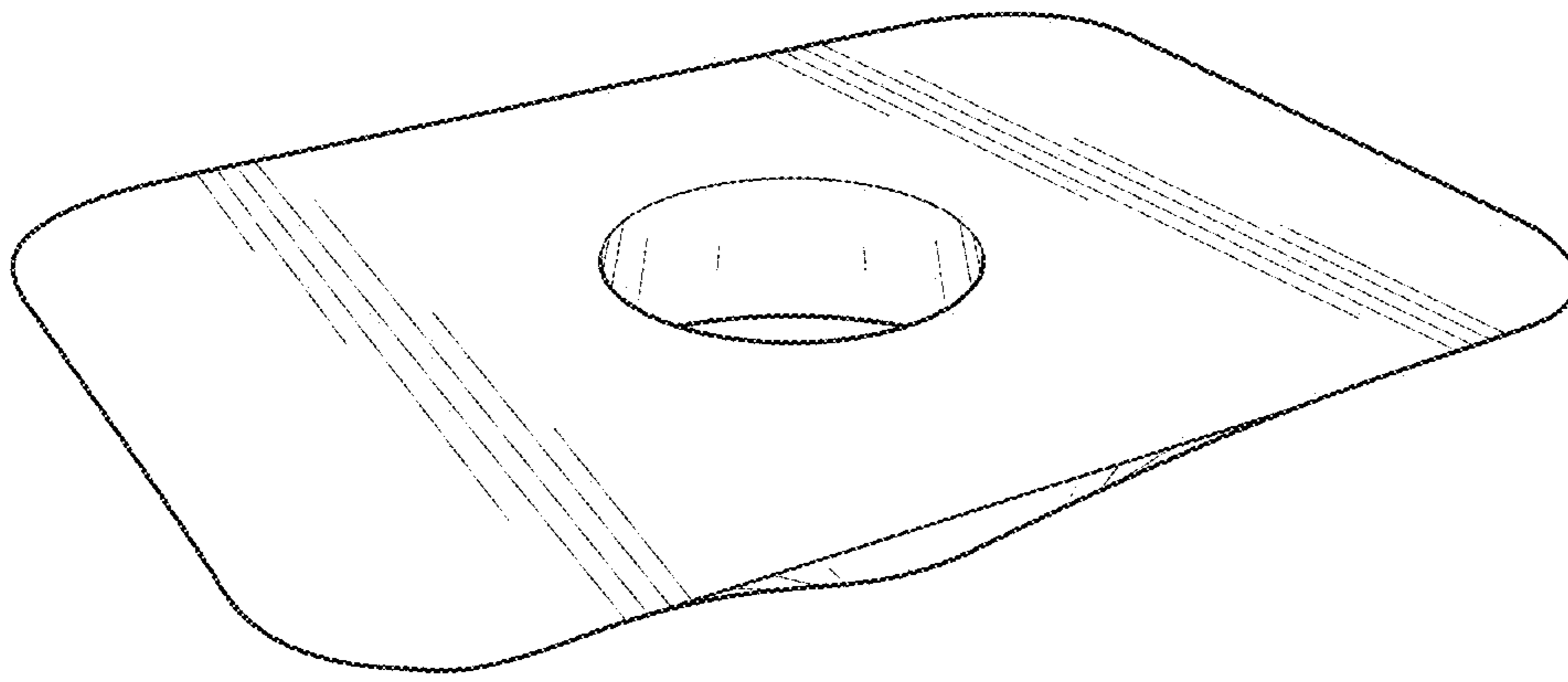
The ornamental design for an epithesis insert, as shown and described.

**DESCRIPTION**

FIG. 1 is a perspective view of a top and a side of the epithesis insert showing a first embodiment of my new design;  
FIG. 2 is a front elevational view thereof;  
FIG. 3 is a side elevational view thereof, the other side is a mirror image;  
FIG. 4 is a perspective view of the bottom and side thereof;  
FIG. 5 is a top plan view thereof;  
FIG. 6 is a bottom plan view thereof;  
FIG. 7 is a front elevational view of the epithesis insert showing a second embodiment of my new design;  
FIG. 8 is a perspective view of the top thereof;  
FIG. 9 is a perspective view of the top and side thereof;  
FIG. 10 is a top plan view thereof;  
FIG. 11 is a side elevational view thereof, the other side is a mirror image; and,  
FIG. 12 is a bottom plan view thereof.

**1 Claim, 4 Drawing Sheets**

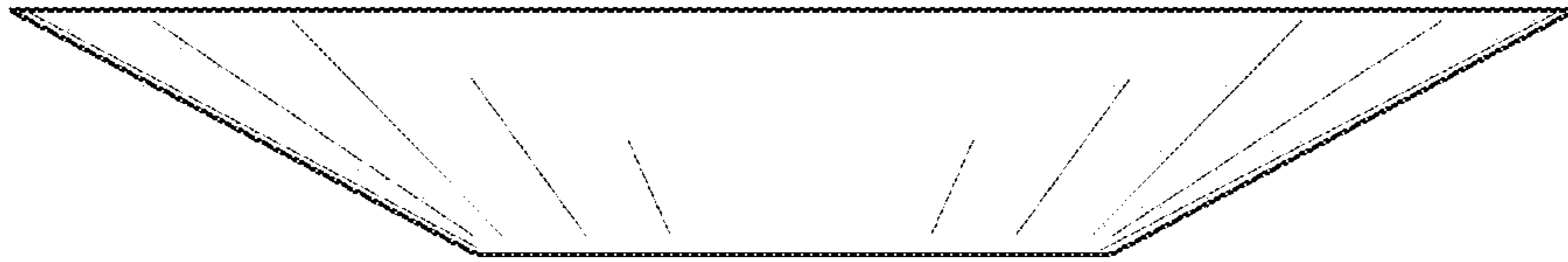




**FIG. 1**

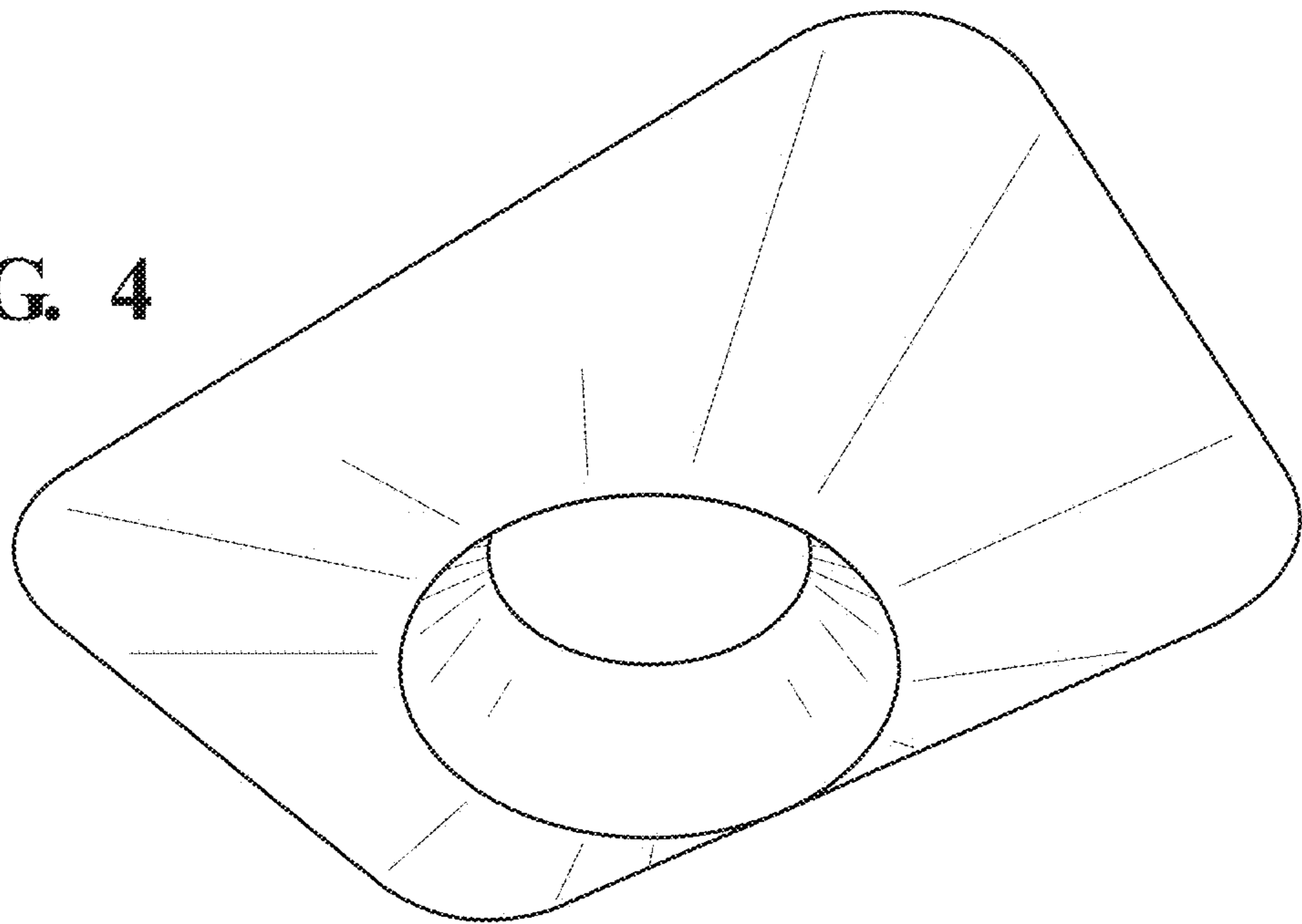


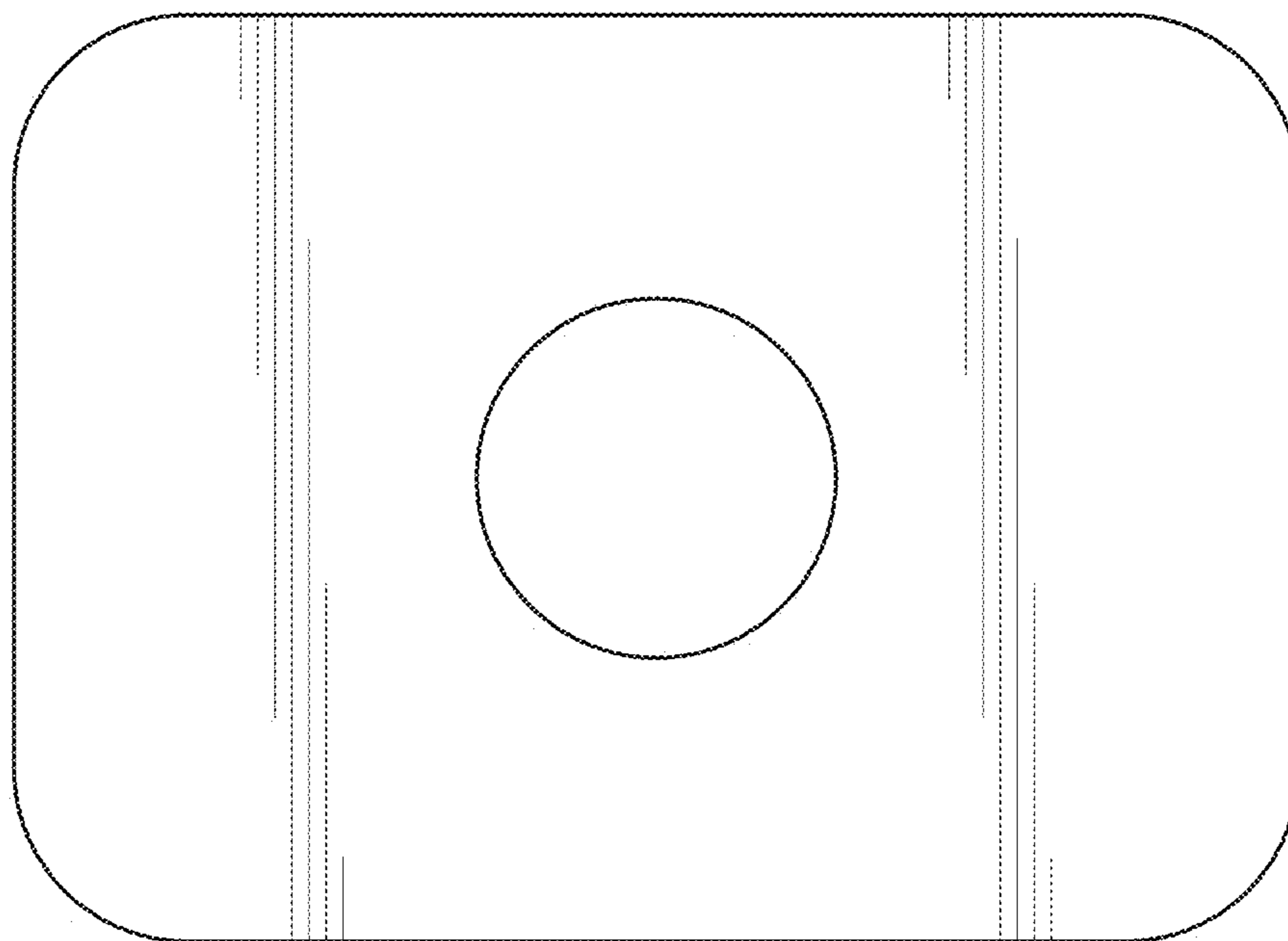
**FIG. 2**



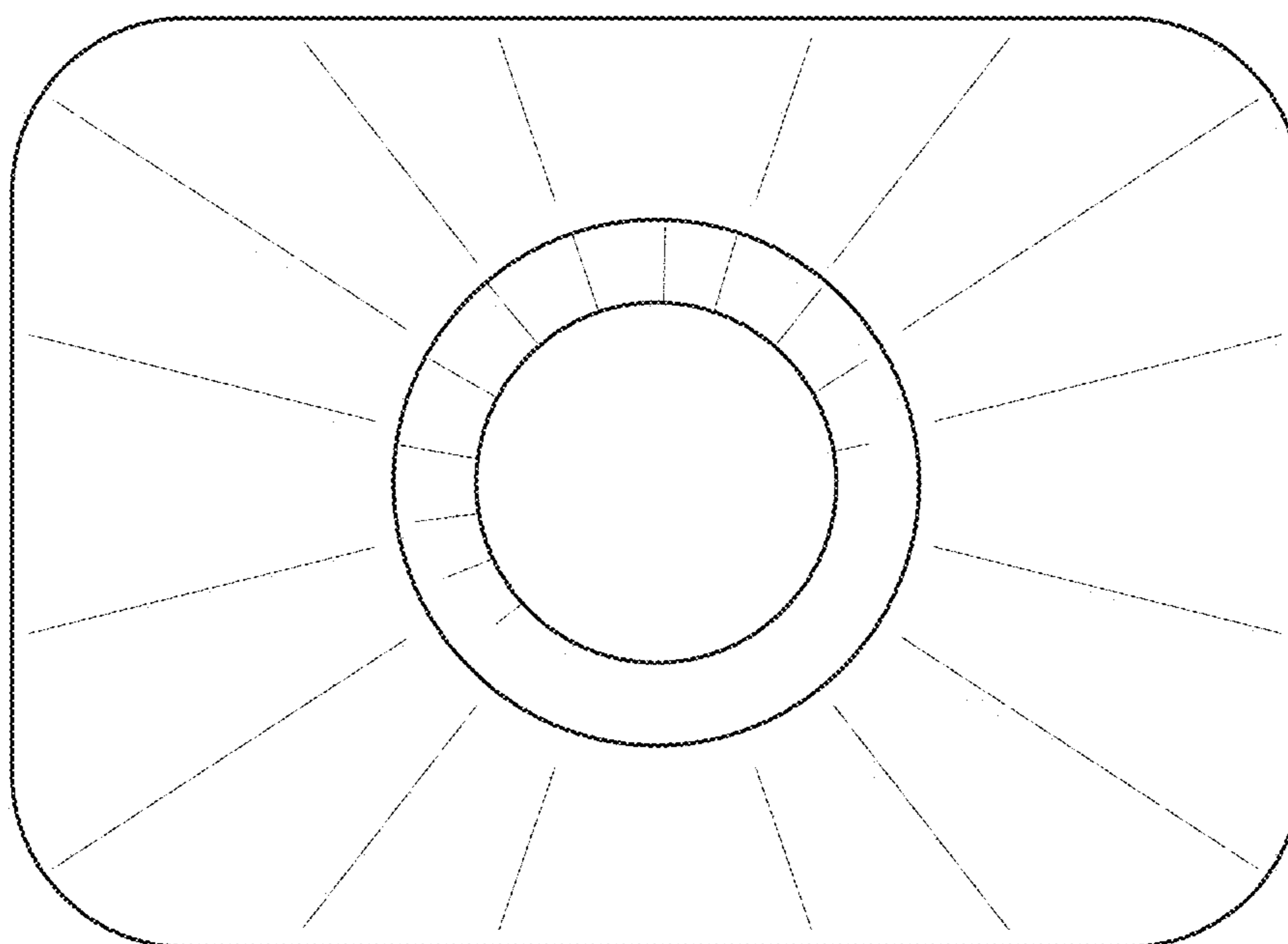
**FIG. 3**

**FIG. 4**

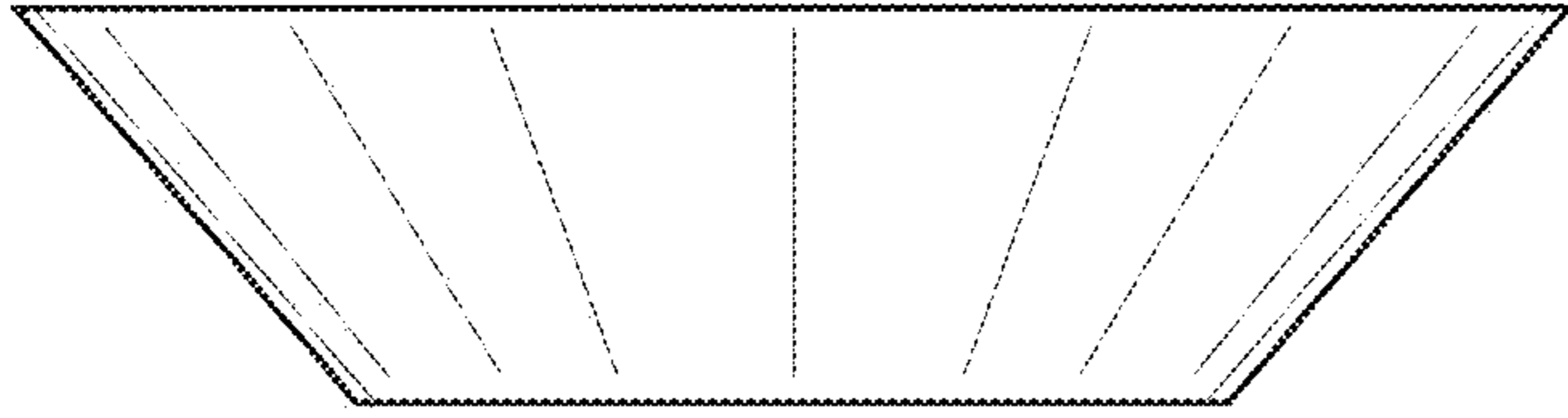




**FIG. 5**

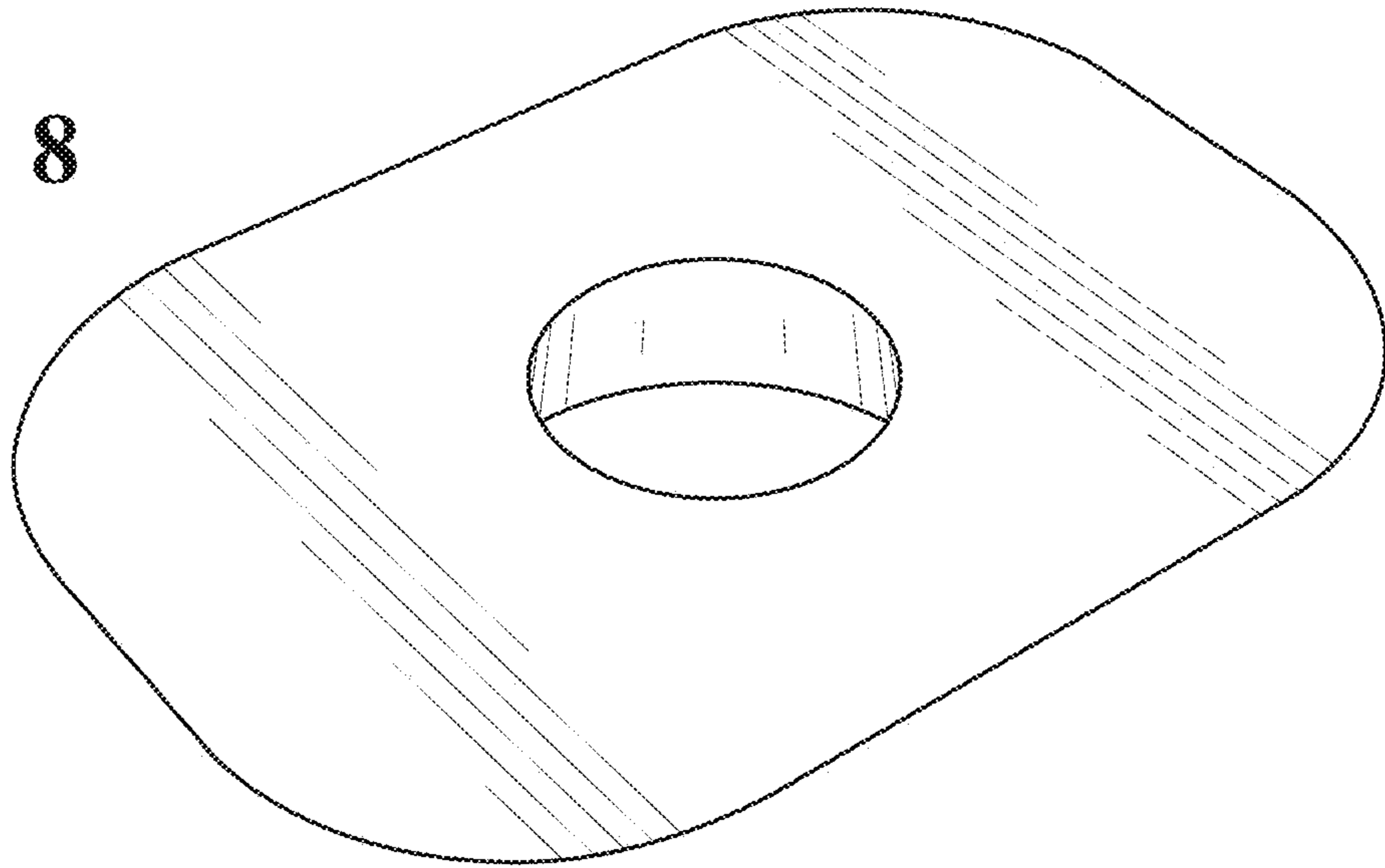


**FIG. 6**

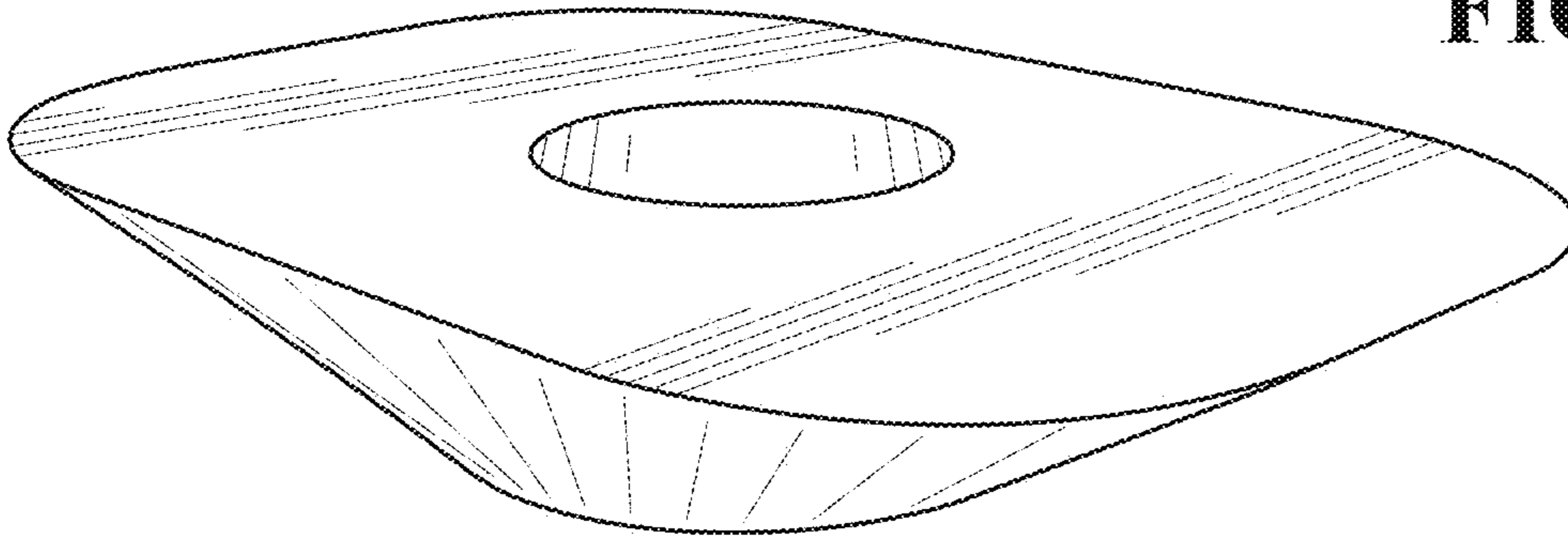


**FIG. 7**

**FIG. 8**

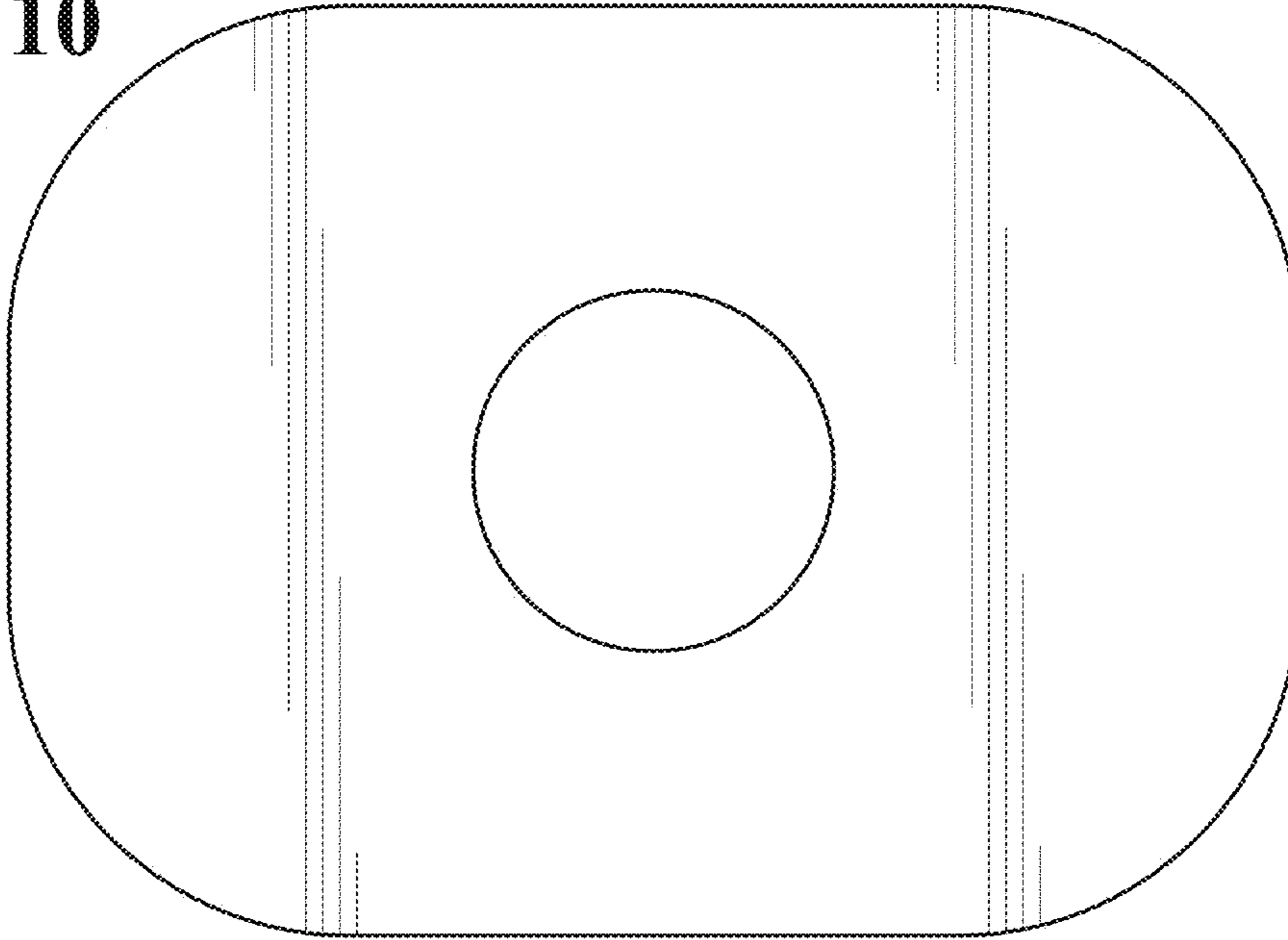


**FIG. 9**

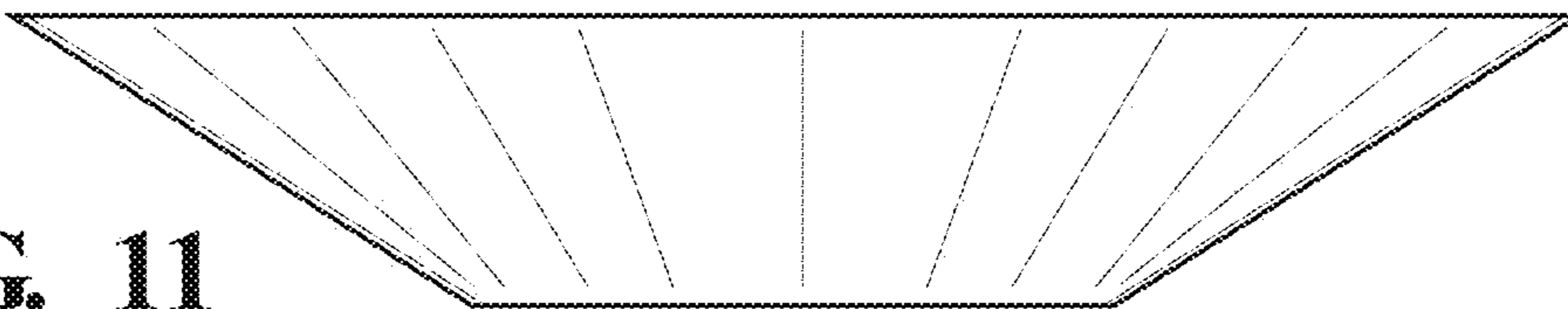




**FIG. 10**



**FIG. 11**



**FIG. 12**

