



US00D958363S

(12) **United States Design Patent**  
**Farre Berga**

(10) **Patent No.:** **US D958,363 S**  
(45) **Date of Patent:** **\*\* Jul. 19, 2022**

(54) **DENTAL SCREW**

(71) Applicant: **Universal Ball Head, S.L.**, Lleida (ES)

(72) Inventor: **Oriol Farre Berga**, Lleida (ES)

(73) Assignee: **UNIVERSAL BALL HEAD, S.L.**,  
Lleida (ES)

(\*\*) Term: **15 Years**

(21) Appl. No.: **29/701,861**

(22) Filed: **Aug. 15, 2019**

(30) **Foreign Application Priority Data**

Feb. 20, 2019 (EM) ..... 006262465-0001  
Feb. 20, 2019 (EM) ..... 006262465-0002

(51) **LOC (13) Cl.** ..... **24-02**

(52) **U.S. Cl.**  
USPC ..... **D24/152**

(58) **Field of Classification Search**

USPC ..... D24/152, 156, 146; D8/82, 85  
CPC ... A61C 8/0068; A61C 8/0089; A61C 8/0028;  
A61C 8/005; A61C 1/082; A61C 1/084;  
A61C 1/185; A61C 3/00; A61C 3/02;  
B25B 15/00; B25B 15/001; B25B 15/004;  
B25B 15/005; B25B 15/007  
See application file for complete search history.

(56) **References Cited**

**U.S. PATENT DOCUMENTS**

6,923,648 B1 \* 8/2005 Rassoli ..... A61C 8/0089  
433/173  
8,978,525 B2 \* 3/2015 Farre Berga ..... B25B 15/005  
81/460

D845,484 S \* 4/2019 Bilodeau ..... D24/152  
D875,246 S \* 2/2020 Bilodeau ..... D24/152  
2012/0103147 A1 \* 5/2012 Farre Berga ..... B25B 15/005  
81/460  
2021/0386526 A1 \* 12/2021 Storni ..... A61C 8/0089

\* cited by examiner

*Primary Examiner* — Wan Laymon

(74) *Attorney, Agent, or Firm* — Lucas & Mercanti, LLP

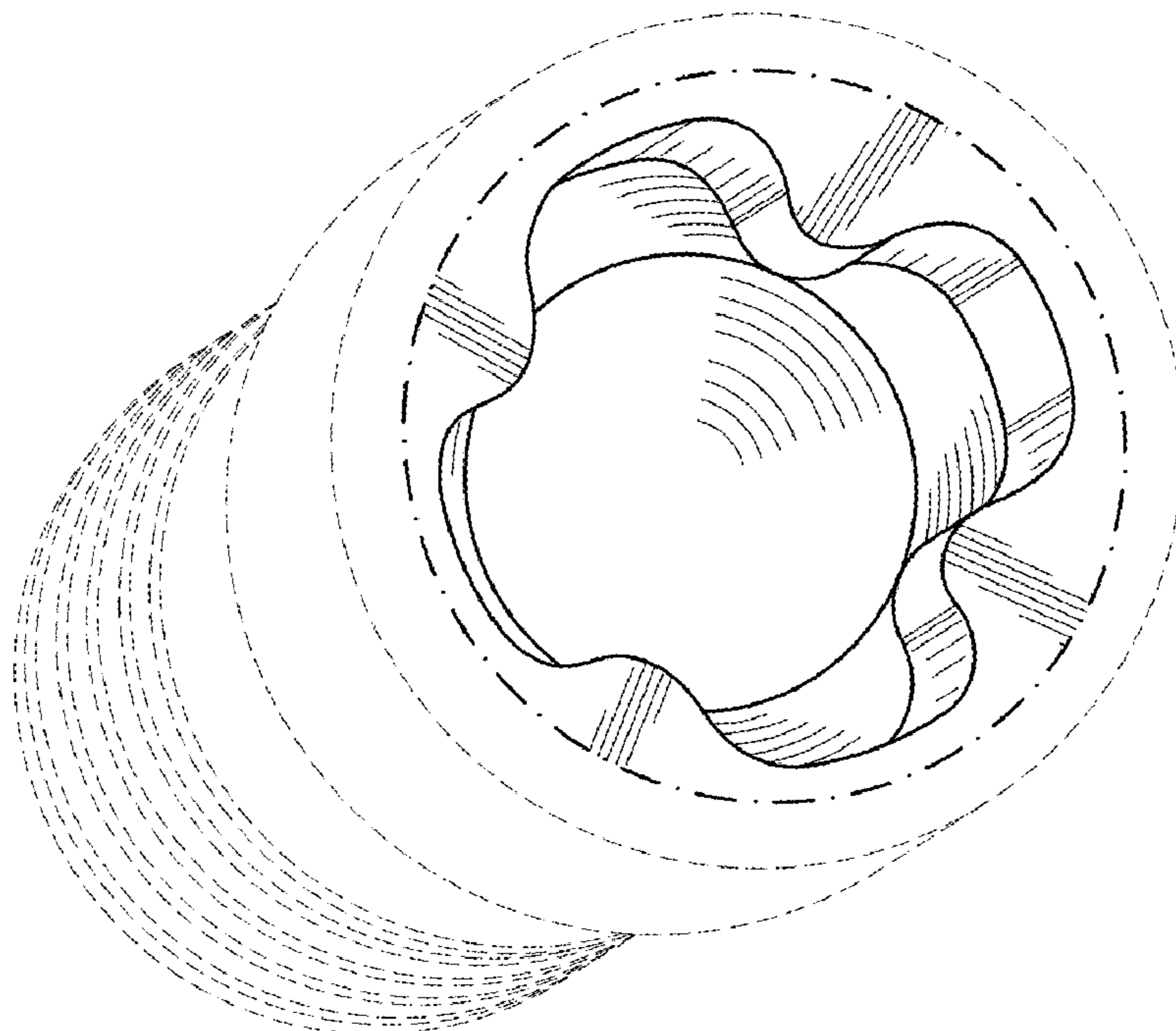
(57) **CLAIM**

The ornamental design for a dental screw, as shown and described.

**DESCRIPTION**

FIG. 1 is a top perspective view of a dental screw according to the design, shown at an enlarged scale;  
FIG. 2 is a perspective view thereof;  
FIG. 3 is a side view thereof; the opposite side being a mirror image,  
FIG. 4 is a side perspective view thereof;  
FIG. 5 is a top view thereof, shown at an enlarged scale; and,  
FIG. 6 is a bottom view thereof, shown at an enlarged scale.  
The dash-dot-dash broken lines immediately adjacent the shaded areas represent the bounds of the claimed design while the dash-dash-dash broken lines are directed to environment and are for illustrative purposes only; the broken lines form no part of the claimed design.

**1 Claim, 6 Drawing Sheets**



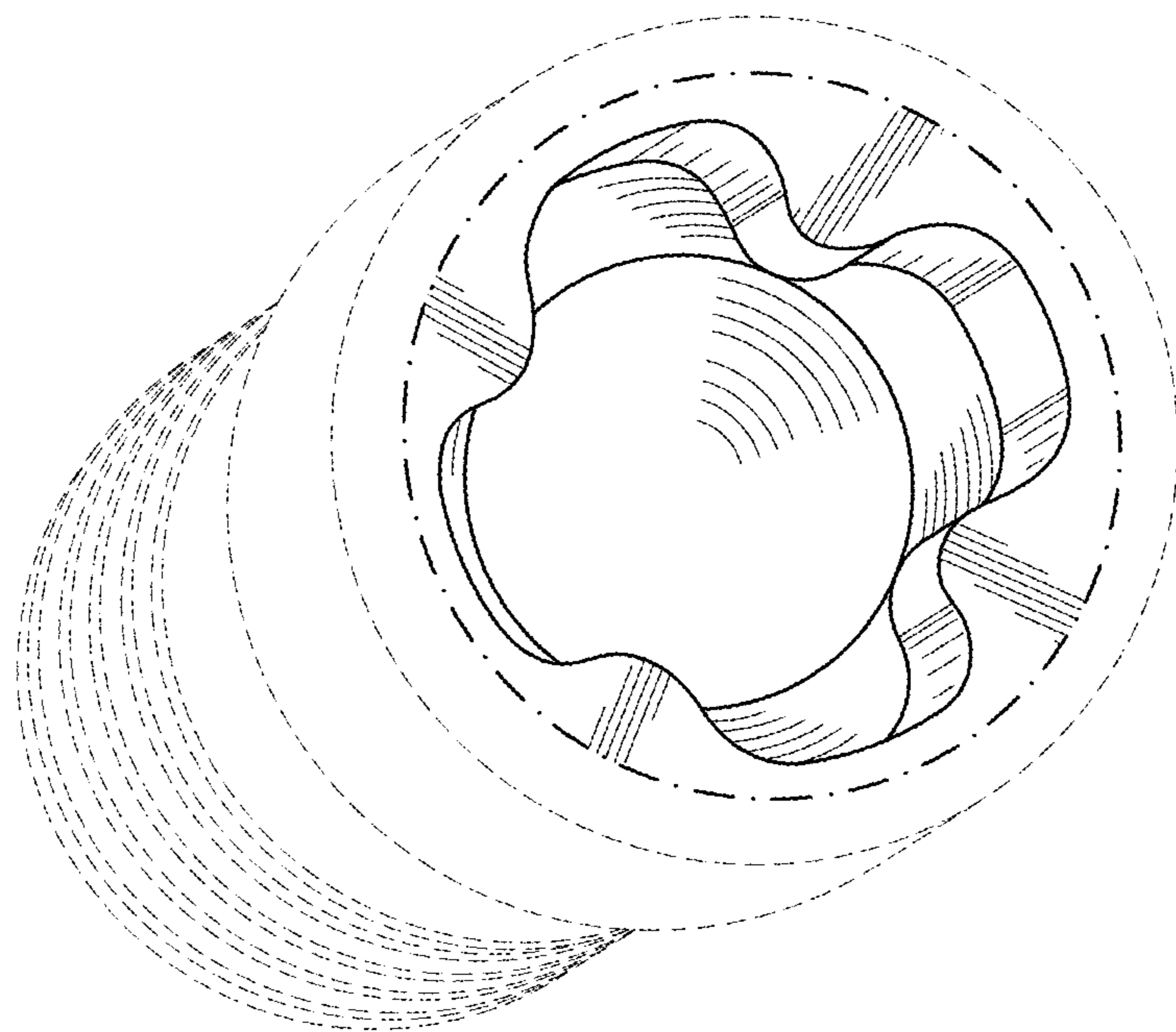


FIG. 1

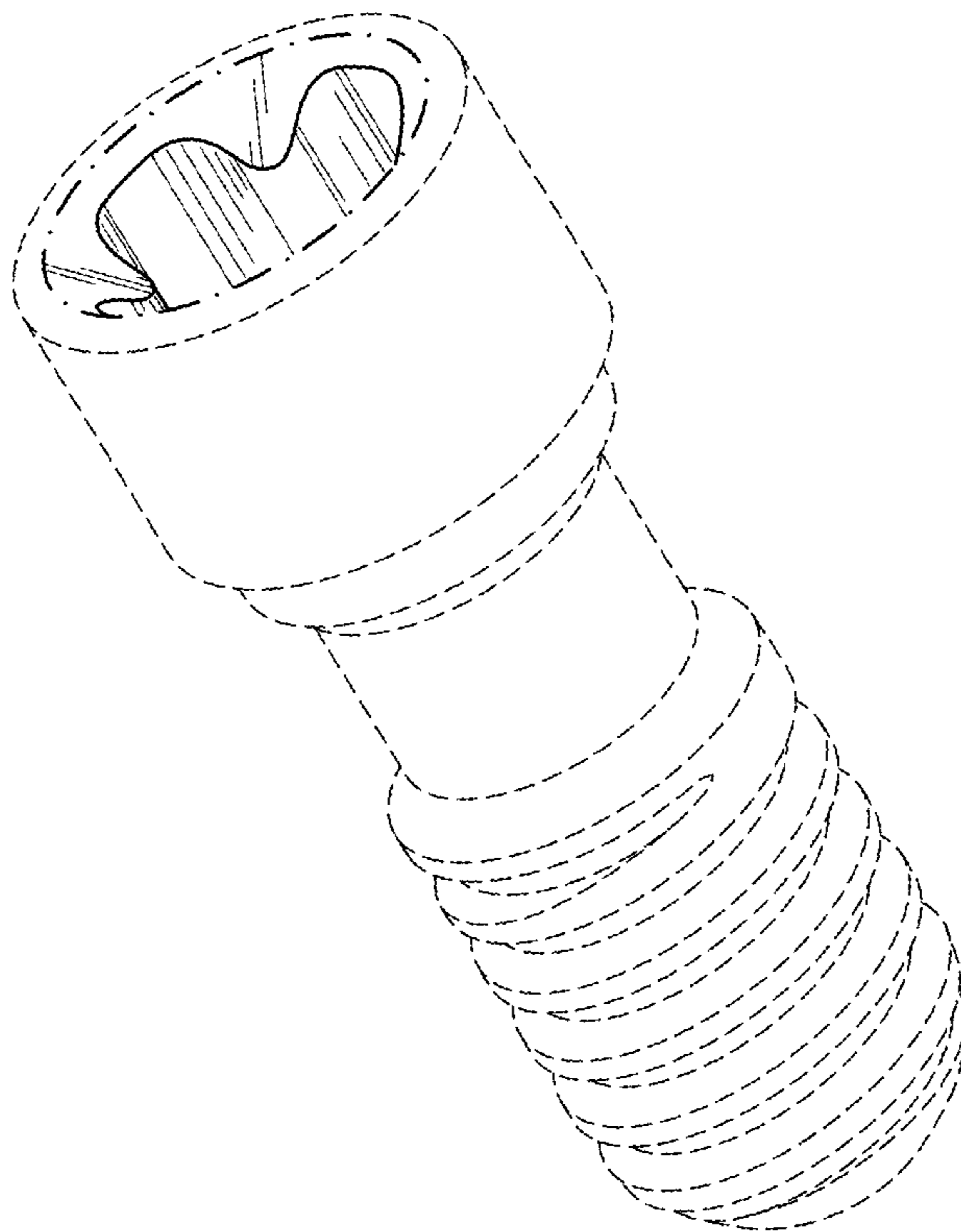


FIG. 2

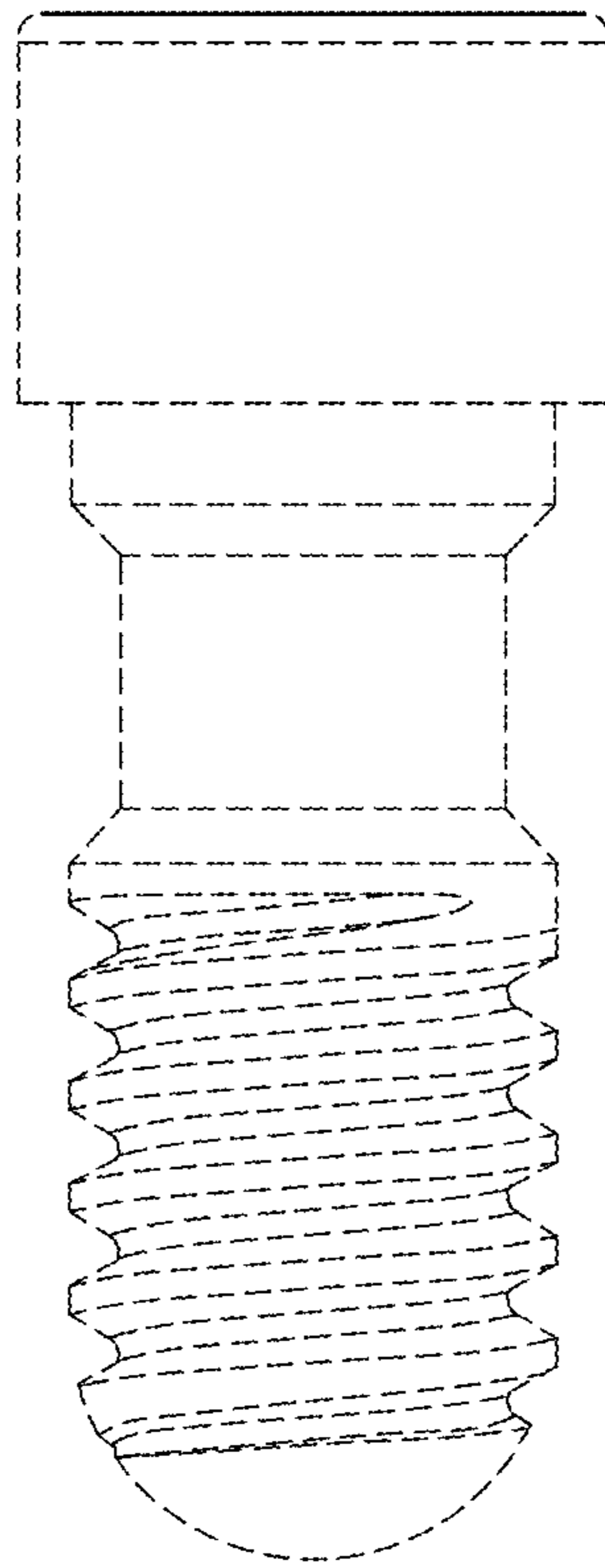


FIG. 3

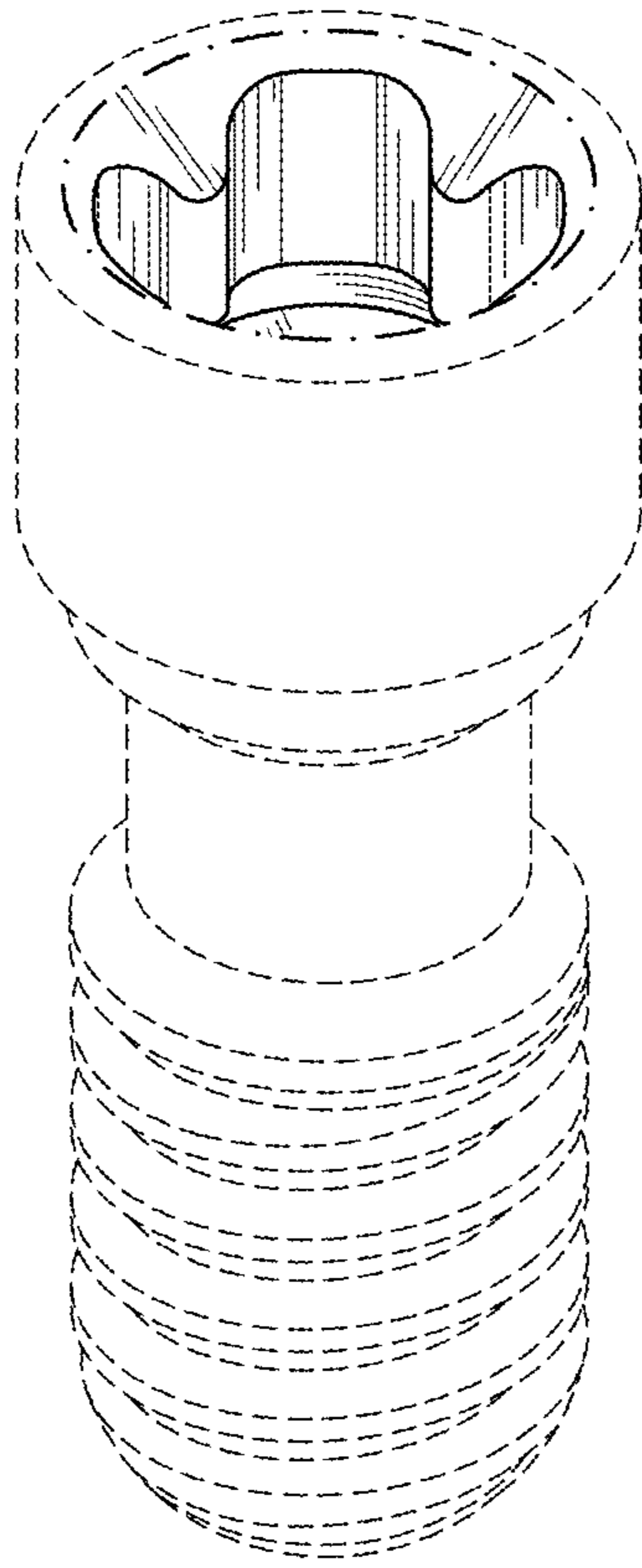


FIG. 4

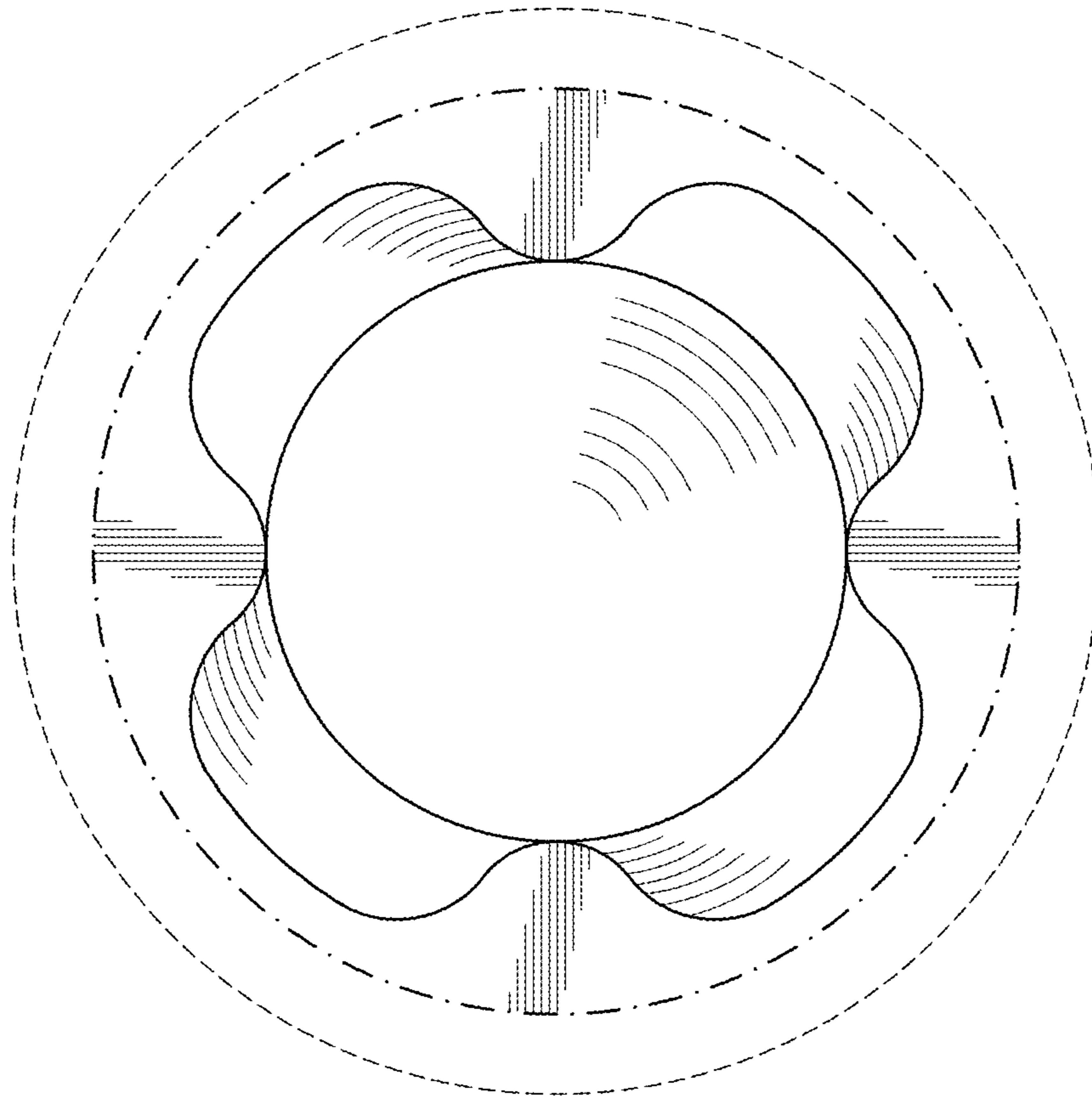


FIG. 5

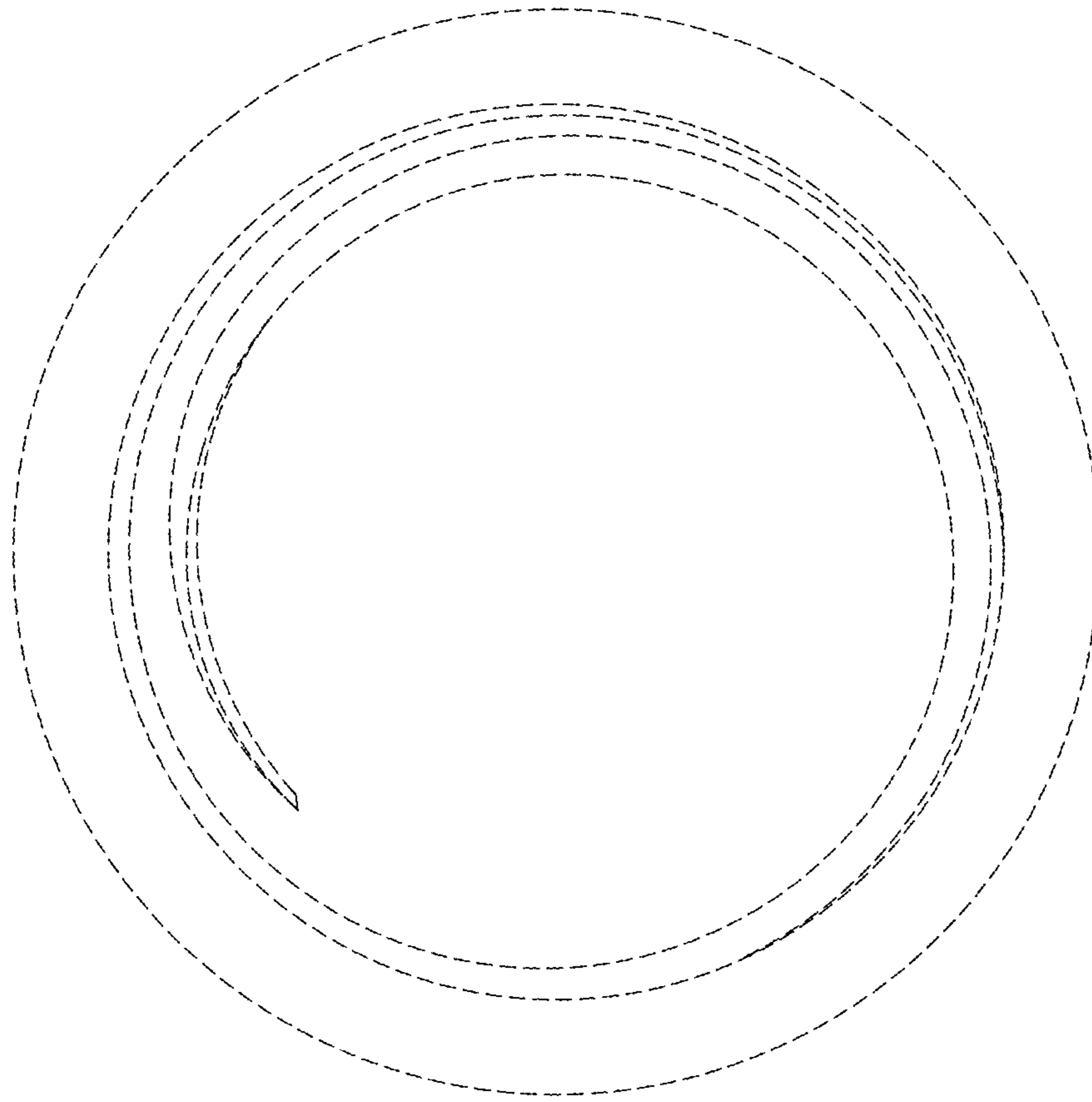


FIG. 6