



US00D958362S

(12) **United States Design Patent** (10) **Patent No.:** **US D958,362 S**
Arver et al. (45) **Date of Patent:** **** *Jul. 19, 2022**

- (54) **PERIODONTAL INSTRUMENT WITH A COLORED LOWER SHANK**
- (71) Applicant: **Visual Dental Solutions LLC**, Eden Prairie, MN (US)
- (72) Inventors: **Debra Arver**, Eden Prairie, MN (US); **Jean Frahm**, St. Paul, MN (US)
- (73) Assignee: **Visual Dental Solutions LLC**, Eden Prairie, MN (US)
- (*) Notice: This patent is subject to a terminal disclaimer.
- (**) Term: **15 Years**
- (21) Appl. No.: **29/672,704**
- (22) Filed: **Dec. 7, 2018**
- (51) **LOC (13) Cl.** **24-02**
- (52) **U.S. Cl.**
USPC **D24/152**
- (58) **Field of Classification Search**
USPC D24/133, 135, 146, 147, 149, 152, 154, D24/176

(Continued)

(56) **References Cited**

U.S. PATENT DOCUMENTS

1,605,321 A * 11/1926 Bates A61C 5/40
433/143

3,634,937 A 1/1972 Green

(Continued)

OTHER PUBLICATIONS

Amazon.com, Dental Williams Color Coded Michigan Probe, Jun. 2016, online product page, retrieved Jun. 9, 2021 from <URL:https://www.amazon.com/Dental-Color-Coded-Probe-1-2-3-5-7-8-9-10/dp/B01HMOW612> (Year: 2016).*

(Continued)

Primary Examiner — Calvin E Vansant
(74) *Attorney, Agent, or Firm* — Thomas J. Oppold; Larkin Hoffman Daly & Lindgren, Ltd.

(57) **CLAIM**

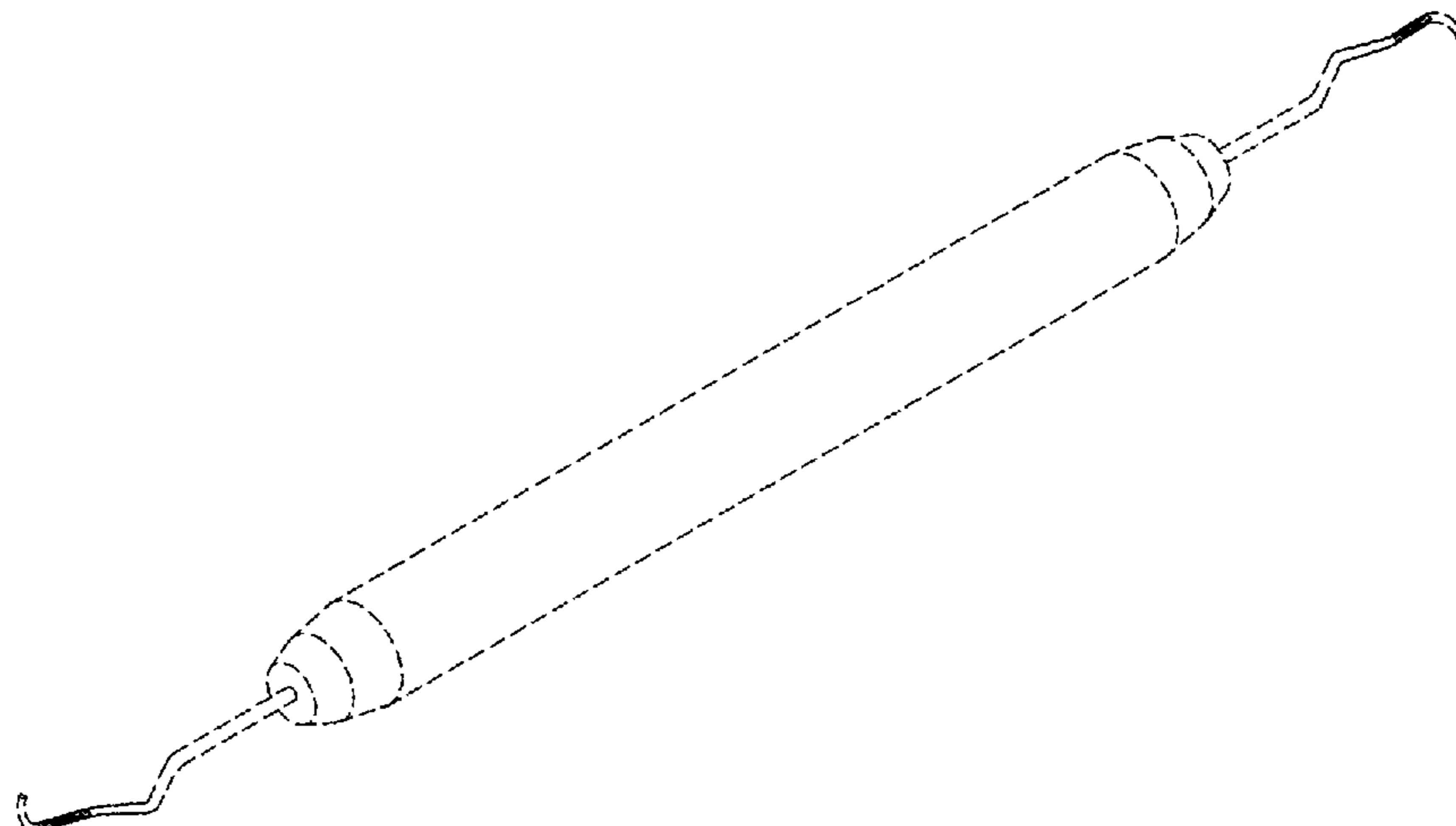
The ornamental design for a periodontal instrument with a colored lower shank, as shown and described.

DESCRIPTION

FIG. 1 is a perspective view of a double-ended periodontal instrument having a colored lower shank at each end thereof. FIG. 2 is an enlarged left side view of one end of the double-ended periodontal instrument of FIG. 1. FIG. 3 is an enlarged top side view thereof. FIG. 4 is an enlarged right side view thereof. FIG. 5 is an enlarged bottom side view thereof. FIG. 6 is an enlarged plan view thereof. FIG. 7 is a perspective view of a single-ended periodontal instrument having a colored lower shank. FIG. 8 is a perspective view of another double-ended periodontal instrument having a colored lower shank at each end thereof. FIG. 9 is an enlarged left side view of one end of the double-ended periodontal instrument of FIG. 8. FIG. 10 is an enlarged top side view thereof. FIG. 11 is an enlarged right side view thereof. FIG. 12 is an enlarged bottom side view thereof. FIG. 13 is an enlarged plan view thereof; and, FIG. 14 is a perspective view of another single-ended periodontal instrument having a colored lower shank. Only one end of the double-ended periodontal instrument of FIG. 1 is shown in the enlarged drawings of FIGS. 2-6; the other end of the double-ended periodontal instrument of FIG. 1 being mirror images of those depicted in FIGS. 2-6. Likewise, only one end of the double-ended periodontal instrument of FIG. 8 is shown in the enlarged drawings of FIGS. 9-13; the other end of the double-ended periodontal instrument of FIG. 8 being mirror images of those depicted in FIGS. 9-13.

The single-ended periodontal instrument of FIG. 7 being the same as FIGS. 2-6 or mirror images thereof. The single-

(Continued)



ended periodontal instrument of FIG. 14 being the same as FIGS. 9-13 or mirror images thereof.

The portions of the periodontal instrument shown in broken lines form no part of the claimed design.

In the drawings, the portion of the periodontal instrument with a colored lower shank shown with solid black shading indicates a contrasting color to that of the remainder of the shank and to the working end.

The periodontal instrument with a colored lower shank of the present design may be an explorer, a scaler or a curet, as such terms are understood by dentists, dental practitioners and others of skill in the manufacture or use of periodontal instruments, since the configuration of the lower shank portions of such periodontal instruments are substantially the same. The periodontal instrument with a colored lower shank, may be a double ended instrument as shown in FIGS. 1 and 8 or the periodontal instrument may be a single ended instrument as shown in FIGS. 7 and 14.

In the drawings, the broken lines depicting portions of the periodontal instrument comprising the handle, the working end, and a portion of the shank of the periodontal instrument after the lower shank (also known as a "terminal shank") and before the second bend in the shank, form no part of the claimed design. For clarity, the lower shank (or terminal shank) of the periodontal instrument is that portion of the shank below the working end and which extends toward the handle to the first bend in the shank.

1 Claim, 4 Drawing Sheets

(58) Field of Classification Search

CPC .. A61C 3/00; A61C 3/10; A61C 15/00; A61C 17/00

See application file for complete search history.

(56) References Cited

U.S. PATENT DOCUMENTS

D285,253 S * 8/1986 Audette D24/147
 4,759,713 A * 7/1988 Heiss A61C 3/00
 433/141
 4,841,653 A * 6/1989 Negley G09F 3/00
 116/201

5,127,833 A * 7/1992 Kline A61C 3/00
 433/141
 5,169,314 A * 12/1992 Long A61C 3/00
 433/143
 5,244,386 A 9/1993 Angelo
 D359,122 S * 6/1995 Kountis D24/152
 6,082,227 A * 7/2000 Vogel B25B 13/56
 81/119
 6,328,565 B1 12/2001 Rose
 D565,733 S * 4/2008 Andre D24/133
 D580,053 S * 11/2008 Huether A61B 17/320708
 D24/135
 D611,601 S * 3/2010 Tamai A61C 3/00
 D24/140
 7,895,724 B1 * 3/2011 Dugan B25B 13/56
 29/407.01
 D687,553 S * 8/2013 Coreil D24/154
 8,974,228 B2 3/2015 Rasperini et al.
 D750,247 S * 2/2016 Cho D24/152
 D803,400 S * 11/2017 Latif D24/154
 2006/0110704 A1 * 5/2006 Bills A61C 1/082
 433/102
 2007/0031788 A1 * 2/2007 Chao A61C 3/00
 433/144
 2008/0076089 A1 * 3/2008 Vu A61C 3/00
 433/143
 2008/0161846 A1 * 7/2008 Yamada A61B 17/320708
 606/190
 2010/0062392 A1 * 3/2010 Latiolais A61C 3/00
 433/141
 2010/0062393 A1 * 3/2010 Latiolals A61C 3/00
 433/141
 2010/0151412 A1 * 6/2010 Suter A61C 8/0089
 433/75
 2011/0046632 A1 * 2/2011 Quevedo A61B 17/3472
 606/102
 2011/0117519 A1 * 5/2011 Yamada A61C 3/00
 433/141
 2012/0021380 A1 * 1/2012 Beach A61C 3/00
 433/143
 2013/0023881 A1 * 1/2013 Cook A61B 17/17
 606/80
 2014/0113246 A1 * 4/2014 Jaramillo A61C 5/50
 433/102
 2016/0086514 A1 3/2016 Washburn et al.

OTHER PUBLICATIONS

"Appendix A", filed with U.S. Appl. No. 29/672,704, 22 pages.

* cited by examiner

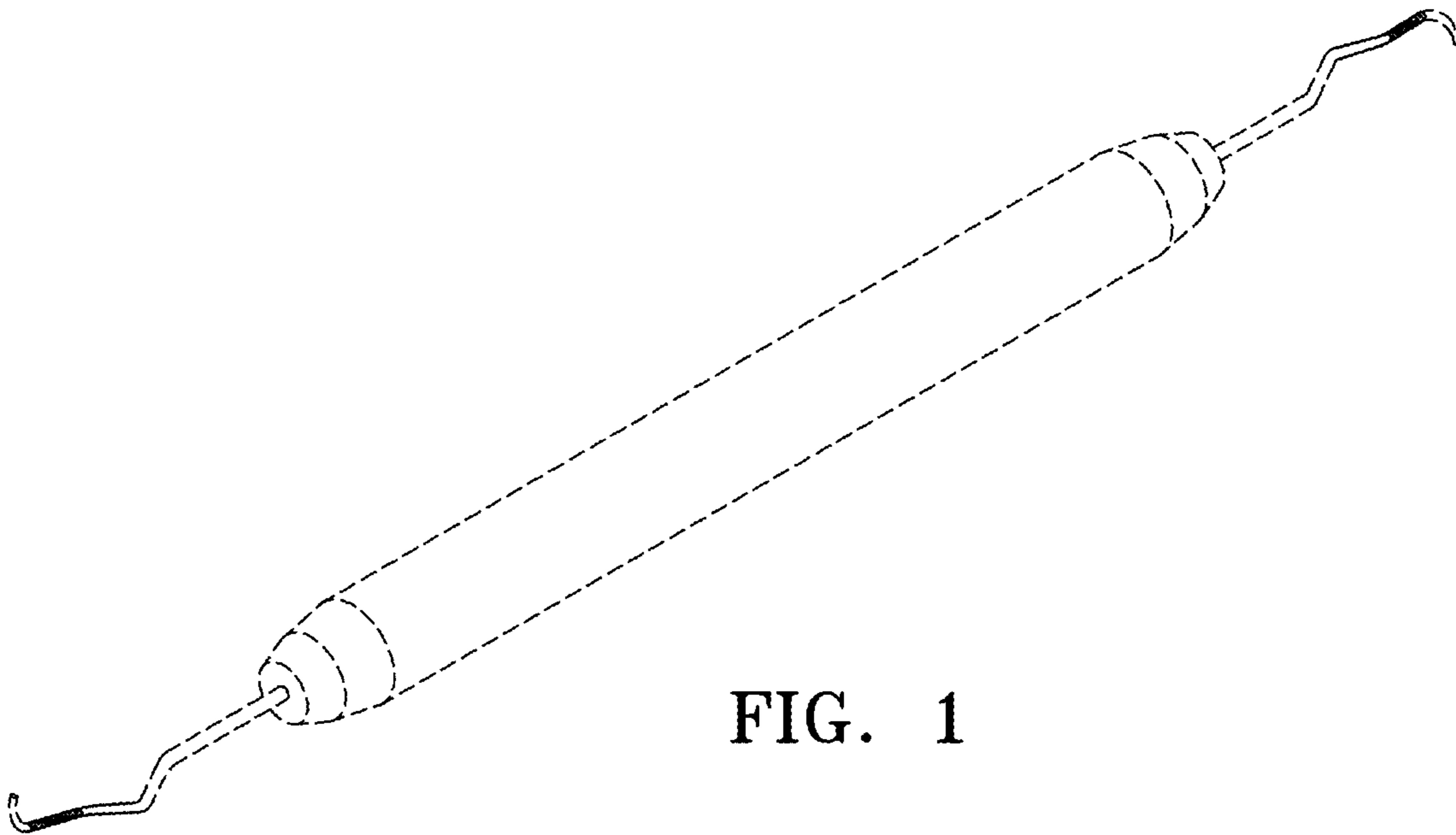


FIG. 1

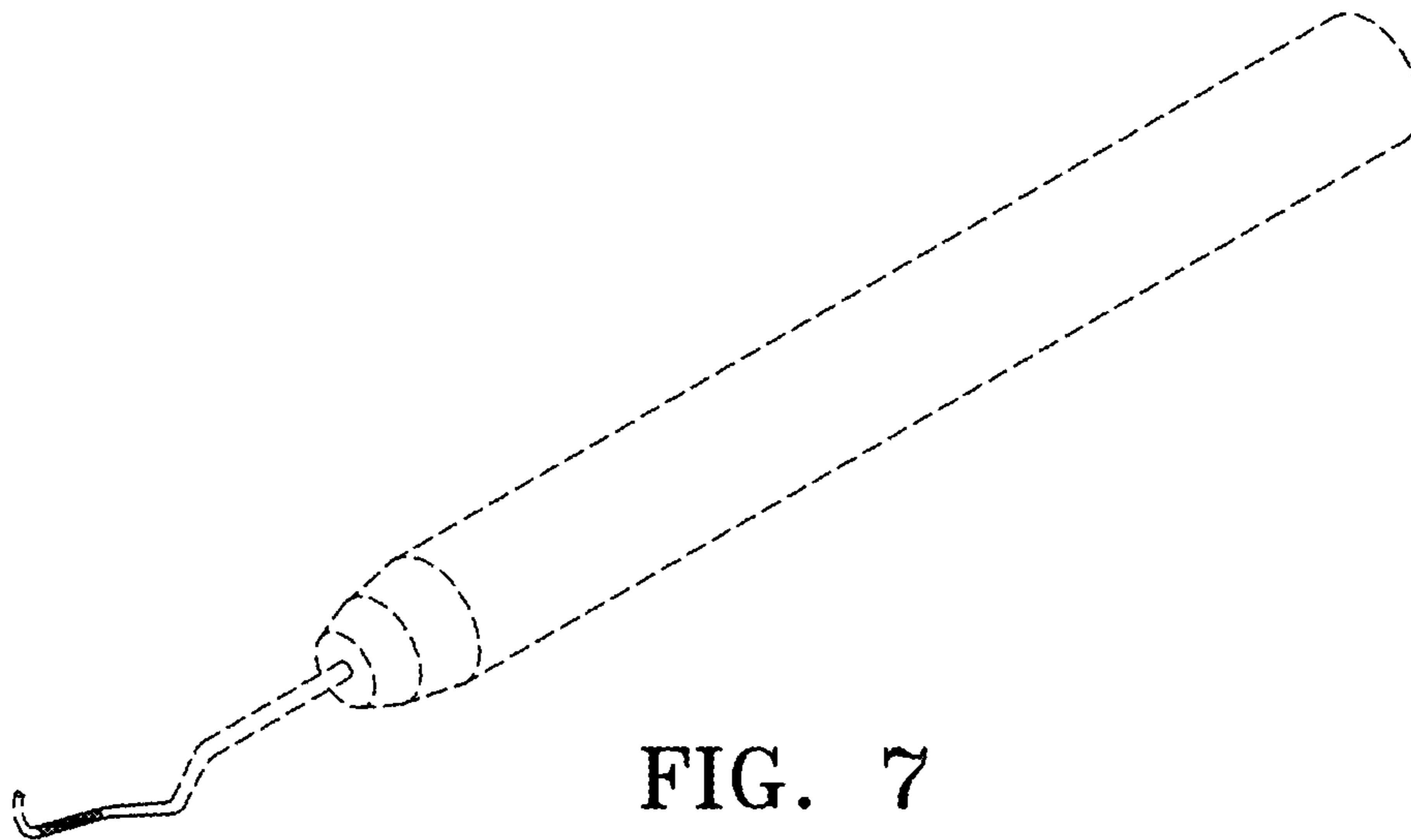


FIG. 7

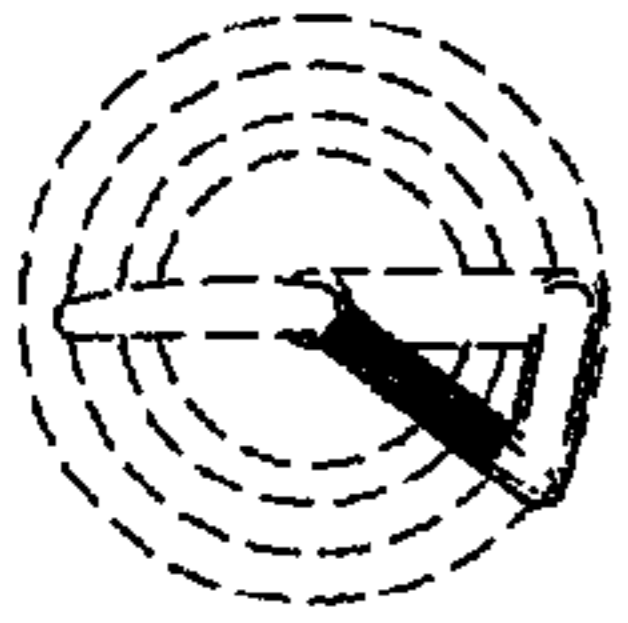


FIG. 6

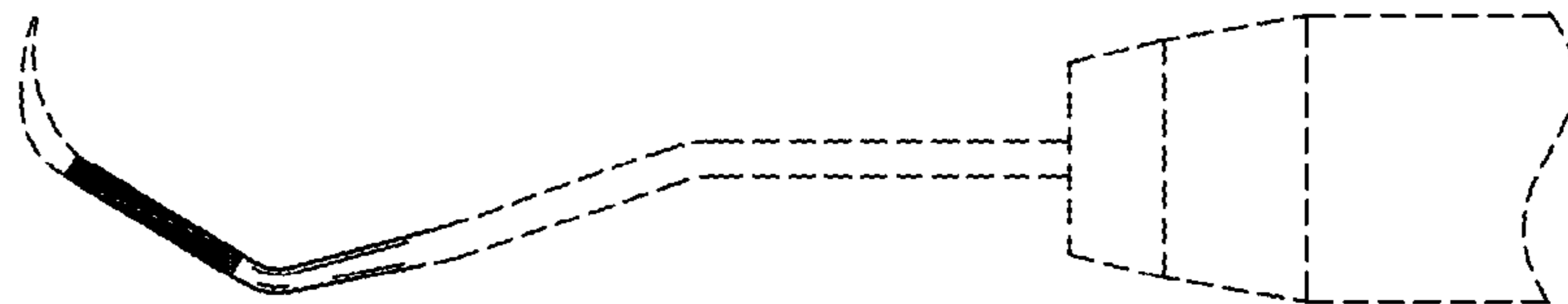


FIG. 2

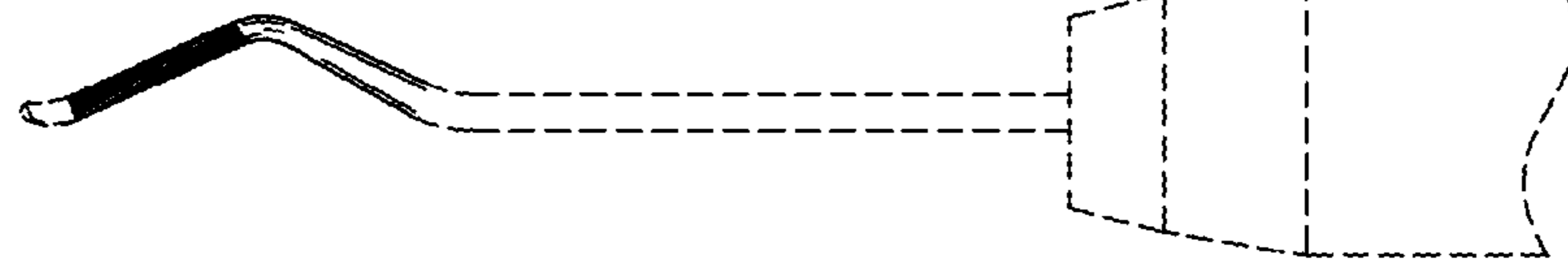


FIG. 3

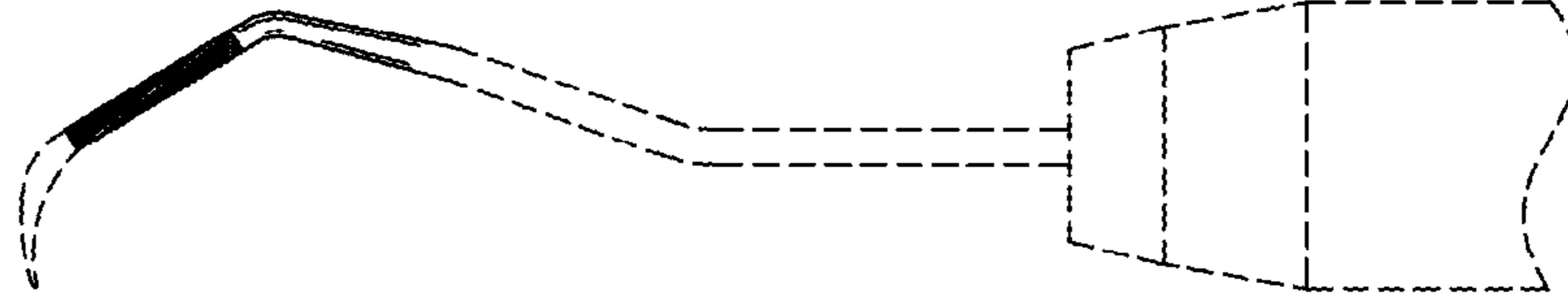


FIG. 4

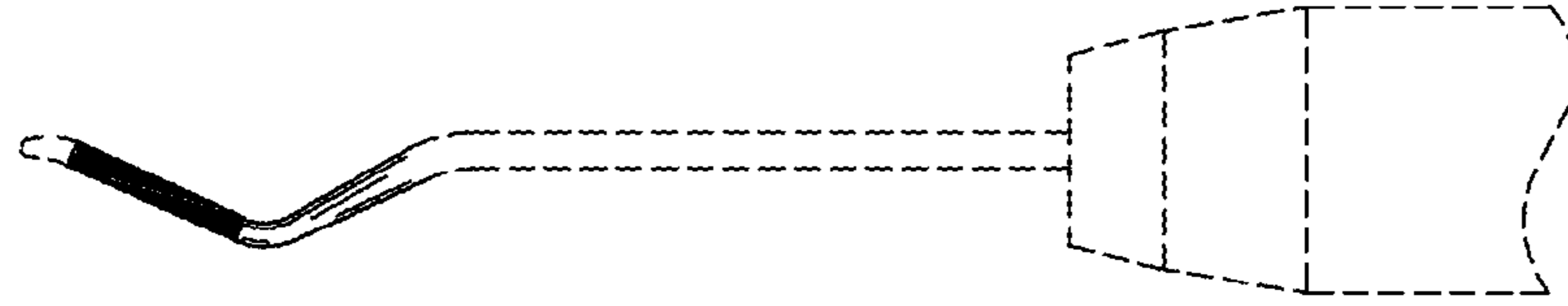


FIG. 5

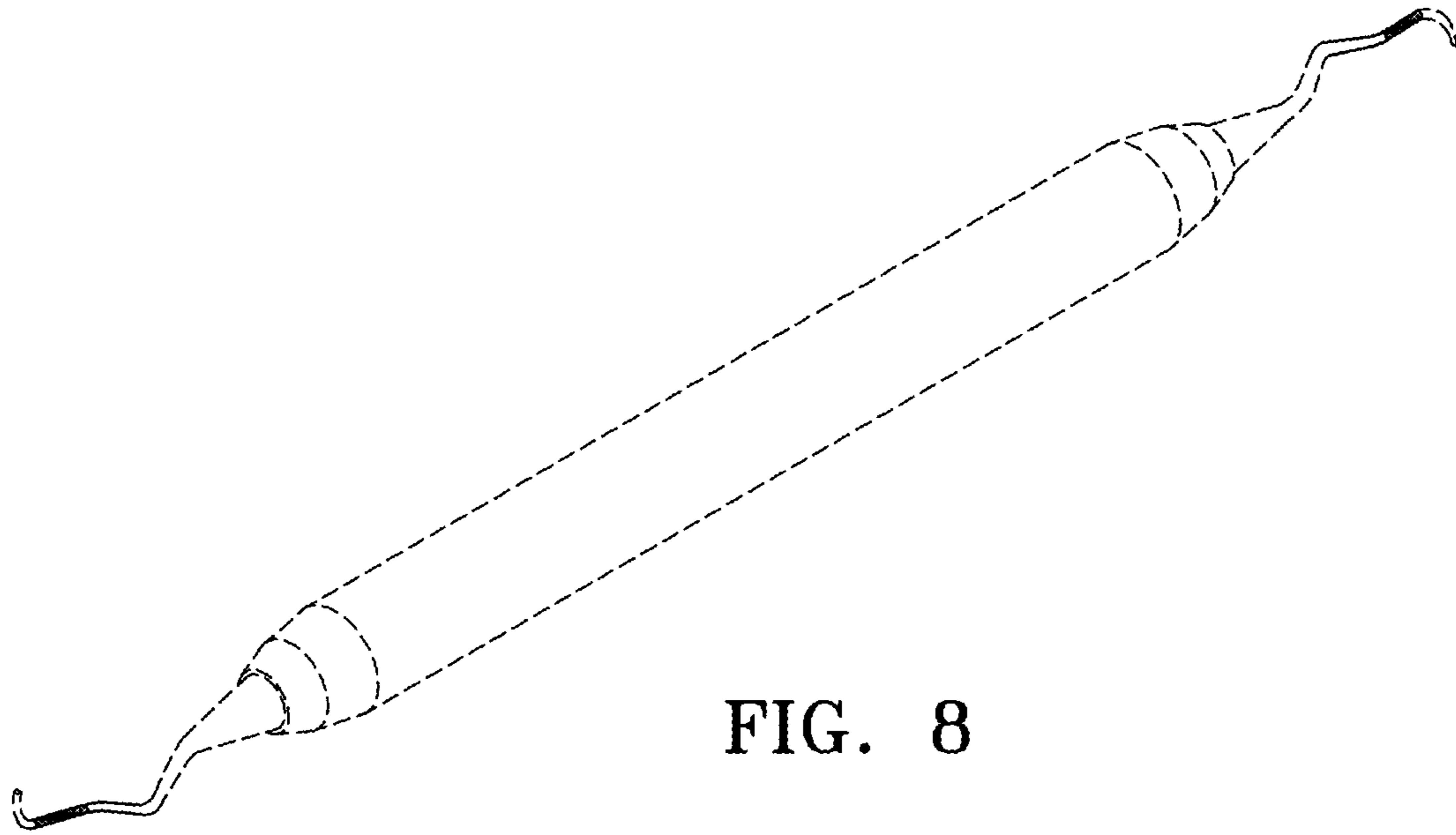


FIG. 8

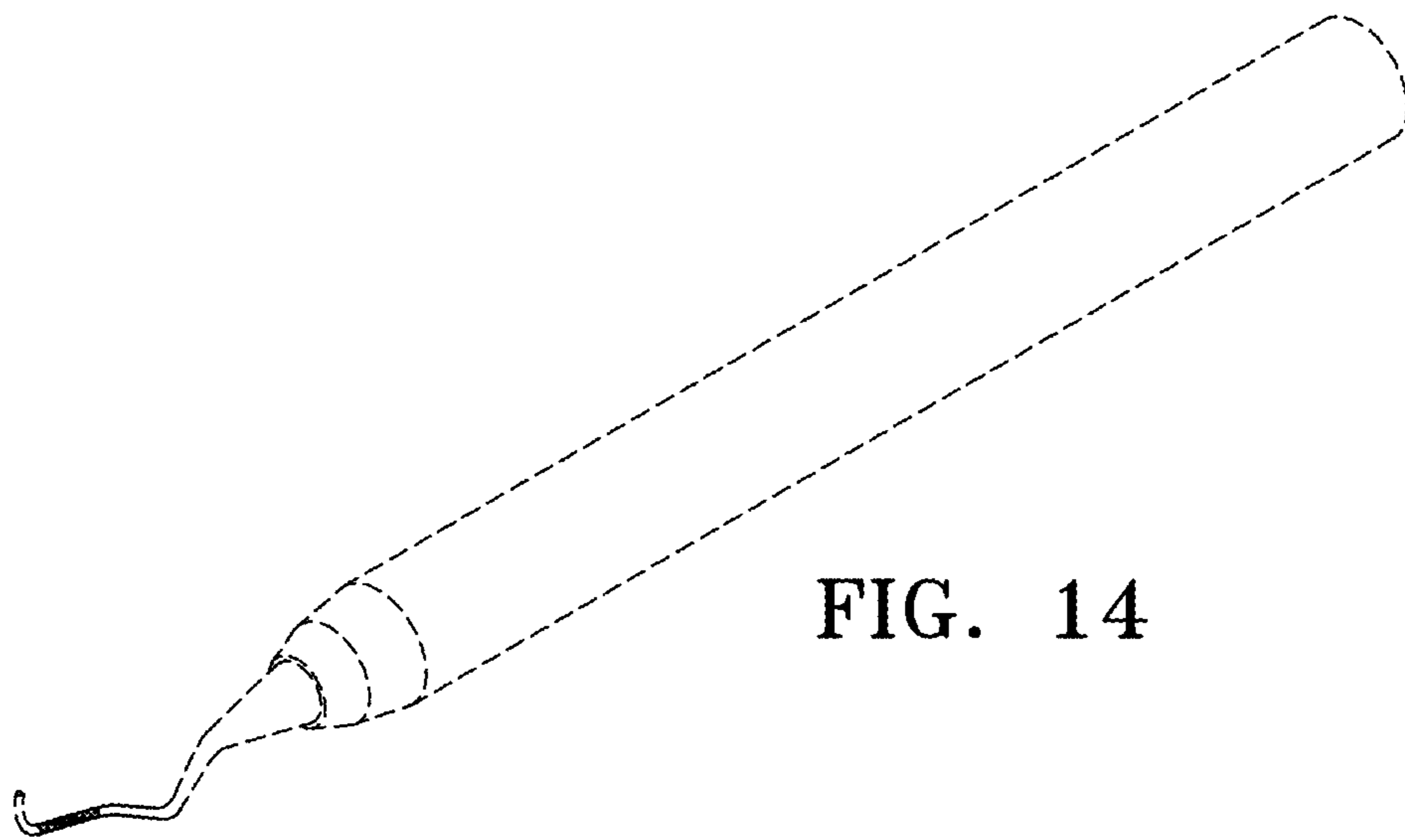


FIG. 14

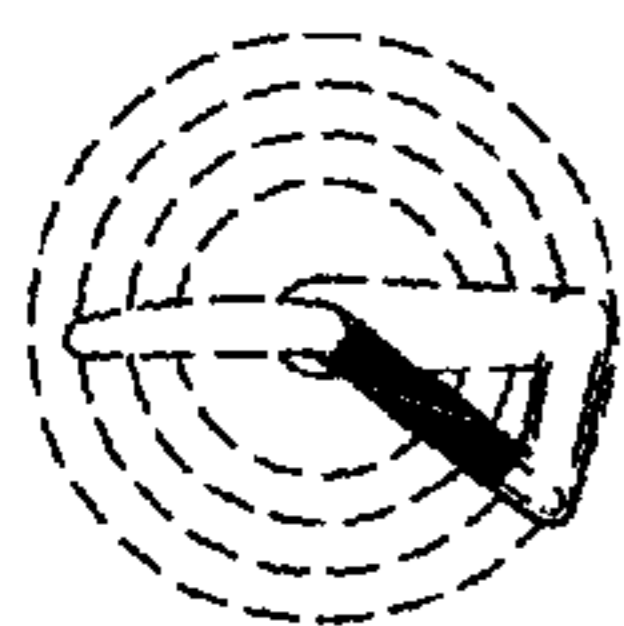


FIG. 13

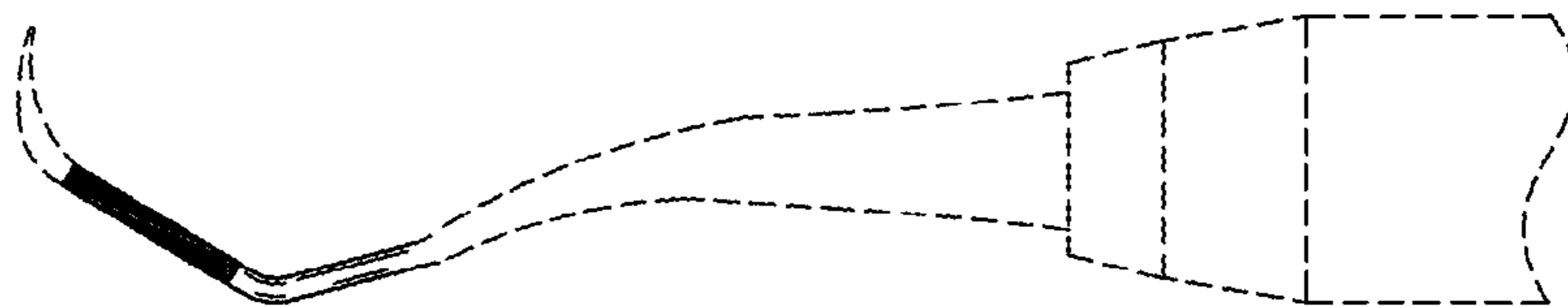


FIG. 9

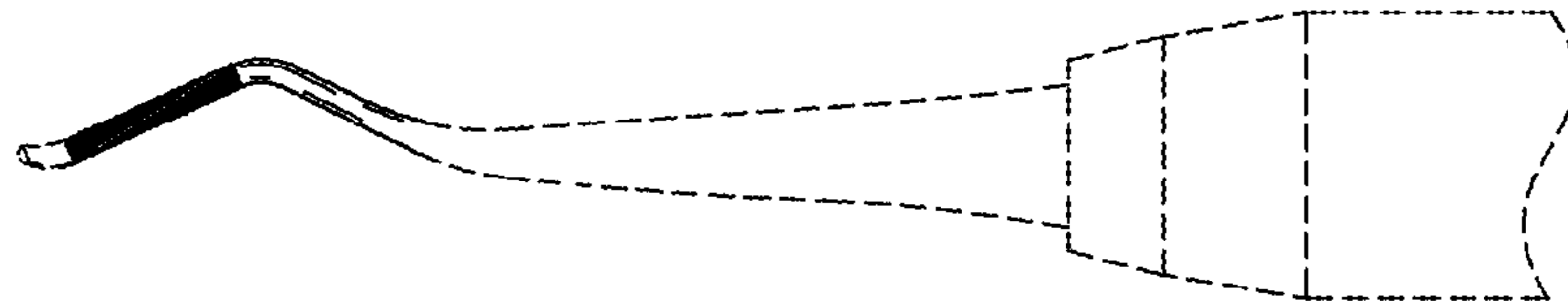


FIG. 10

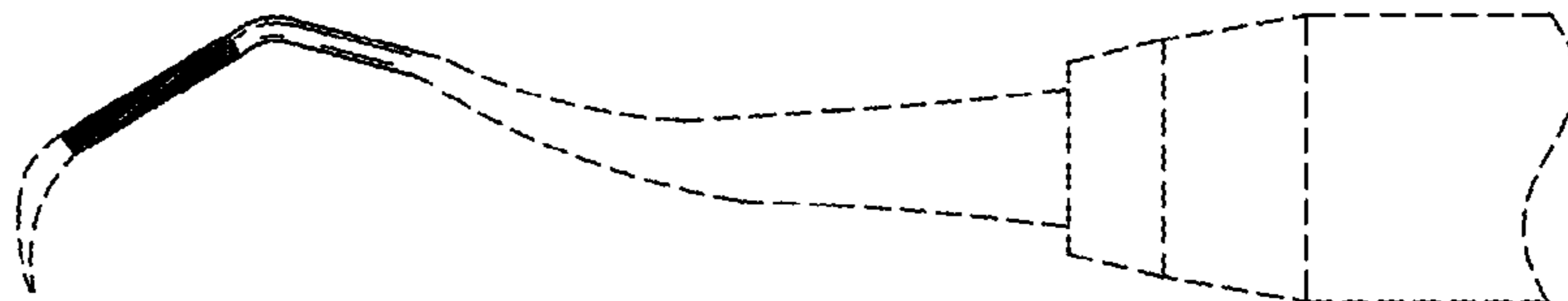


FIG. 11

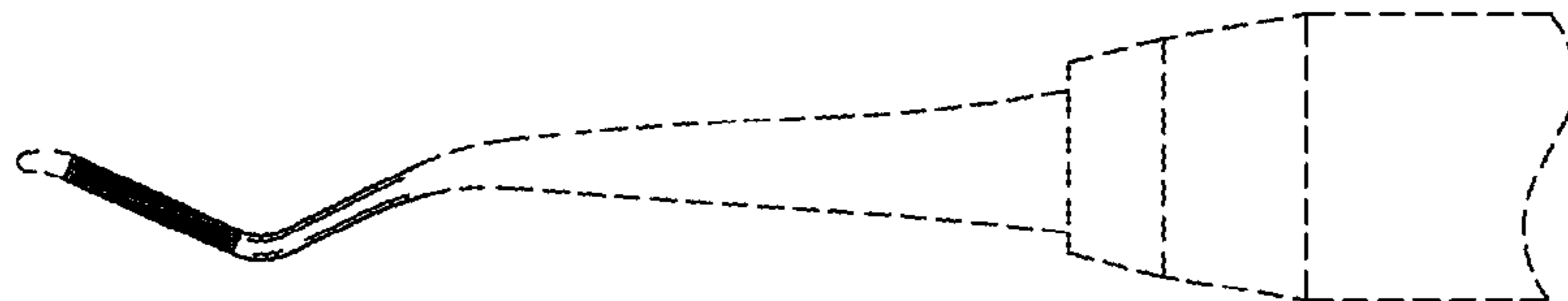


FIG. 12