



US00D958359S

(12) **United States Design Patent** (10) **Patent No.:** **US D958,359 S**  
**Schellin et al.** (45) **Date of Patent:** **\*\* Jul. 19, 2022**

(54) **APPLICATOR TRAY FOR A BUTTRESS APPLICATOR FOR A SURGICAL STAPLER**

(74) *Attorney, Agent, or Firm* — Frost Brown Todd LLC

(71) Applicant: **Cilag GmbH International**, Zug (CH)

(57) **CLAIM**

The ornamental design for an applicator tray for a buttress applicator for a surgical stapler, as shown and described.

(72) Inventors: **Emily A. Schellin**, Cincinnati, OH (US); **John V. Hunt**, Cincinnati, OH (US); **Trevor J. Barton**, Cincinnati, OH (US); **Kevin O'Brien**, Cincinnati, OH (US); **Nicholas B. Van Stolk**, Cincinnati, OH (US); **Denise Griffiths**, Hamburg (DE); **Michael J. Vendely**, Lebanon, OH (US); **John P. Soehnlen**, Loveland, OH (US)

**DESCRIPTION**

(73) Assignee: **Cilag GmbH International**, Zug (CH)

FIG. 1 is a top perspective view of an embodiment of an applicator tray for a buttress applicator for a surgical stapler, showing our new design;

(\*\*) Term: **15 Years**

FIG. 2 is a top perspective view of the applicator tray of FIG. 1, shown without a desiccant paperboard and without the buttress applicator;

(21) Appl. No.: **29/784,876**

FIG. 3 is a top plan view of the applicator tray of FIG. 2; FIG. 4 is a bottom plan view of the applicator tray of FIG. 2;

(22) Filed: **May 21, 2021**

FIG. 5 is a side elevational view of the applicator tray of FIG. 2, the opposite side elevational view being a mirror image thereof;

**Related U.S. Application Data**

(62) Division of application No. 29/675,172, filed on Dec. 28, 2018, now Pat. No. Des. 922,576.

FIG. 6 is a rear elevational view of the applicator tray of FIG. 2;

(51) **LOC (13) Cl.** ..... **24-02**

(52) **U.S. Cl.**  
USPC ..... **D24/145**; D9/432

FIG. 7 is a front elevational view of the applicator tray of FIG. 2;

(58) **Field of Classification Search**  
USPC ..... D24/145; D9/414–415, 432–433, 420  
(Continued)

FIG. 8 is a cross sectional view of the applicator tray of FIG. 2, taken along line 8-8 of FIG. 3;

(56) **References Cited**

**U.S. PATENT DOCUMENTS**

4,730,726 A \* 3/1988 Holzwarth ..... A61B 50/33  
206/230  
5,322,161 A \* 6/1994 Shichman ..... A61B 50/30  
206/204

FIG. 9 is a cross sectional view of the applicator tray of FIG. 2, taken along line 9-9 of FIG. 3;

(Continued)

FIG. 10 is a top perspective view of the applicator tray of FIG. 1, shown with a flap thereof rotated to an open position;

*Primary Examiner* — Wan Laymon

FIG. 11 is a top perspective view of the applicator tray of FIG. 2, shown with the flap rotated to an open position;

FIG. 12 is a top plan view of the applicator tray of FIG. 11; FIG. 13 is a bottom plan view of the applicator tray of FIG. 11;

FIG. 14 is a side elevational view of the applicator tray of FIG. 11, the opposite side elevational view being a mirror image thereof;

FIG. 15 is a rear elevational view of the applicator tray of FIG. 11;

FIG. 16 is a front elevational view of the applicator tray of FIG. 11;

(Continued)

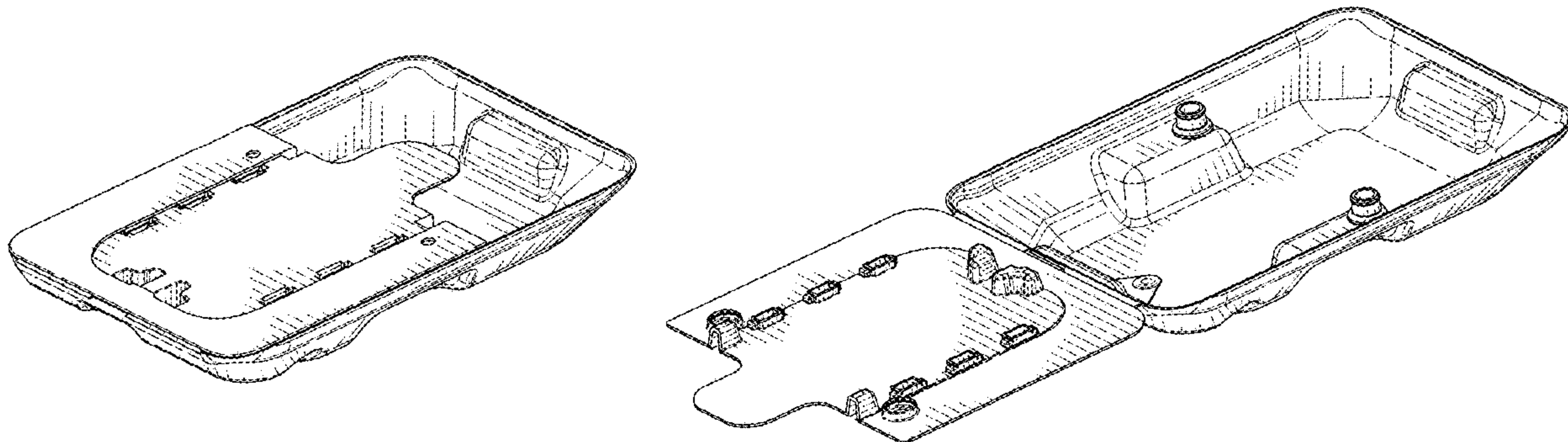


FIG. 17 is a cross sectional view of the applicator tray of FIG. 11, taken along line 17-17 of FIG. 12;  
 FIG. 18 is a cross sectional view of the applicator tray of FIG. 11, taken along line 18-18 of FIG. 12;  
 FIG. 19 is a top perspective view of another embodiment of an applicator tray for a buttress applicator for a surgical stapler, showing our new design;  
 FIG. 20 is a top perspective view of the applicator tray of FIG. 19, shown without a desiccant paperboard and without the buttress applicator;  
 FIG. 21 is a top plan view of the applicator tray of FIG. 20;  
 FIG. 22 is a bottom plan view of the applicator tray of FIG. 20;  
 FIG. 23 is a side elevational view of the applicator tray of FIG. 20, the opposite side elevational view being a mirror image thereof;  
 FIG. 24 is a rear elevational view of the applicator tray of FIG. 20;  
 FIG. 25 is a front elevational view of the applicator tray of FIG. 20;  
 FIG. 26 is a cross sectional view of the applicator tray of FIG. 20, taken along line 26-26 of FIG. 21;  
 FIG. 27 is a cross sectional view of the applicator tray of FIG. 20, taken along line 27-27 of FIG. 21;  
 FIG. 28 is a top perspective view of the applicator tray of FIG. 19, shown with a flap thereof rotated to an open position;  
 FIG. 29 is a top perspective view of the applicator tray of FIG. 20, shown with the flap rotated to an open position;  
 FIG. 30 is a top plan view of the applicator tray of FIG. 29;  
 FIG. 31 is a bottom plan view of the applicator tray of FIG. 29;  
 FIG. 32 is a side elevational view of the applicator tray of FIG. 29, the opposite side elevational view being a mirror image thereof;

FIG. 33 is a rear elevational view of the applicator tray of FIG. 29;  
 FIG. 34 is a front elevational view of the applicator tray of FIG. 29;  
 FIG. 35 is a cross sectional view of the applicator tray of FIG. 29, taken along line 35-35 of FIG. 30; and,  
 FIG. 36 is a cross sectional view of the applicator tray of FIG. 29, taken along line 36-36 of FIG. 30.  
 The evenly-spaced broken lines in the drawings are included for purpose of illustrating portions of the applicator tray for a buttress applicator for a surgical stapler that form no part of the claimed design.

**1 Claim, 16 Drawing Sheets**

(58) **Field of Classification Search**

CPC ..... A61B 17/07292; A61B 17/07207; A61B  
 2017/0688; A61B 50/20; A61B 50/30;  
 A61B 50/33

See application file for complete search history.

(56) **References Cited**

U.S. PATENT DOCUMENTS

10,166,023	B2 *	1/2019	Vendely .....	A61B 17/07292
10,299,877	B2 *	5/2019	Volk .....	A61B 50/30
10,349,940	B2 *	7/2019	Zeiner .....	A61B 50/30
11,033,269	B2 *	6/2021	Vendely .....	A61B 50/33
2020/0205824	A1 *	7/2020	Barton .....	A61B 50/33
2020/0297429	A1 *	9/2020	Montane .....	A61B 50/30
2021/0346022	A1 *	11/2021	Vendely .....	A61B 50/33

\* cited by examiner



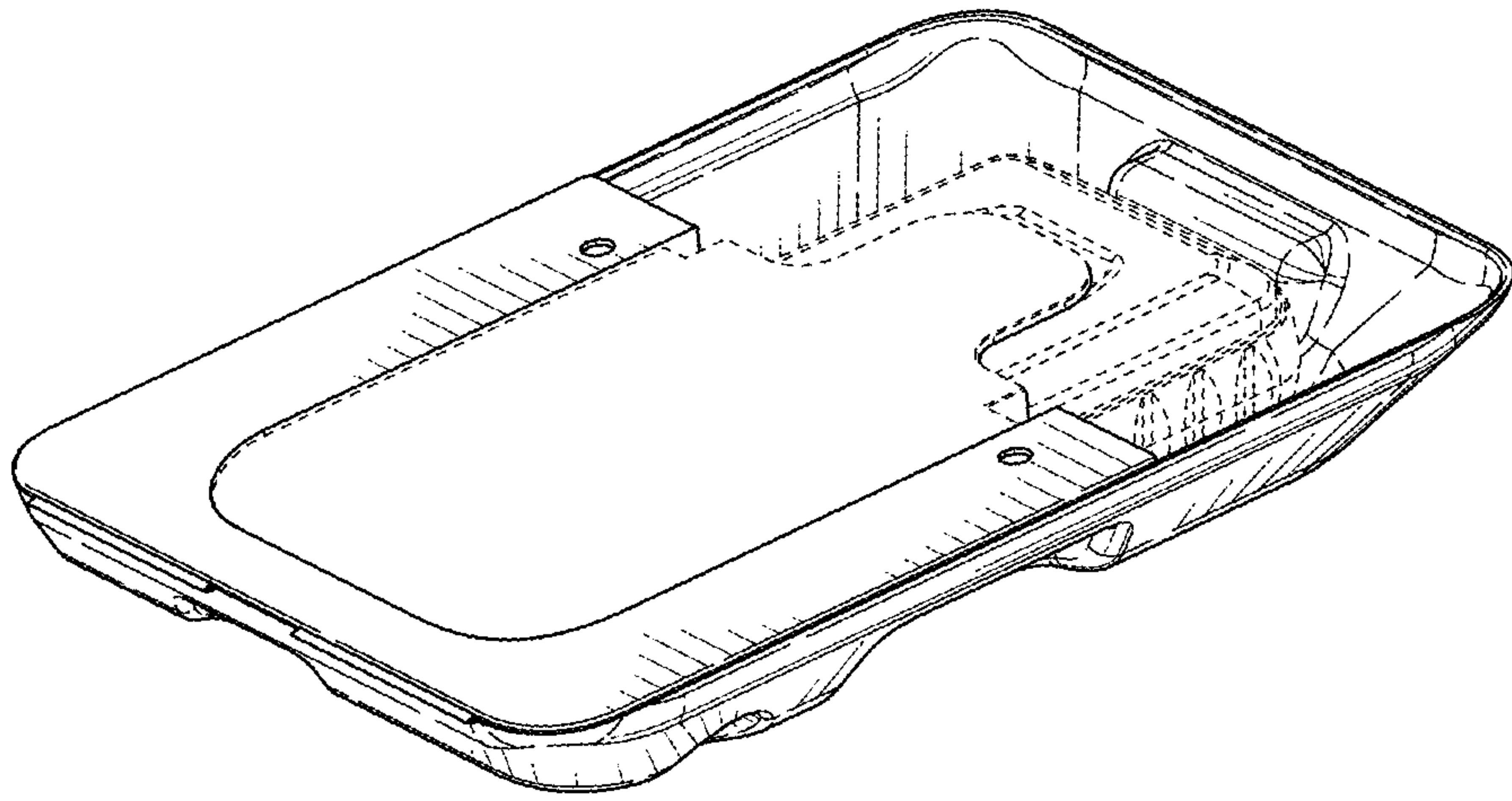


FIG. 1

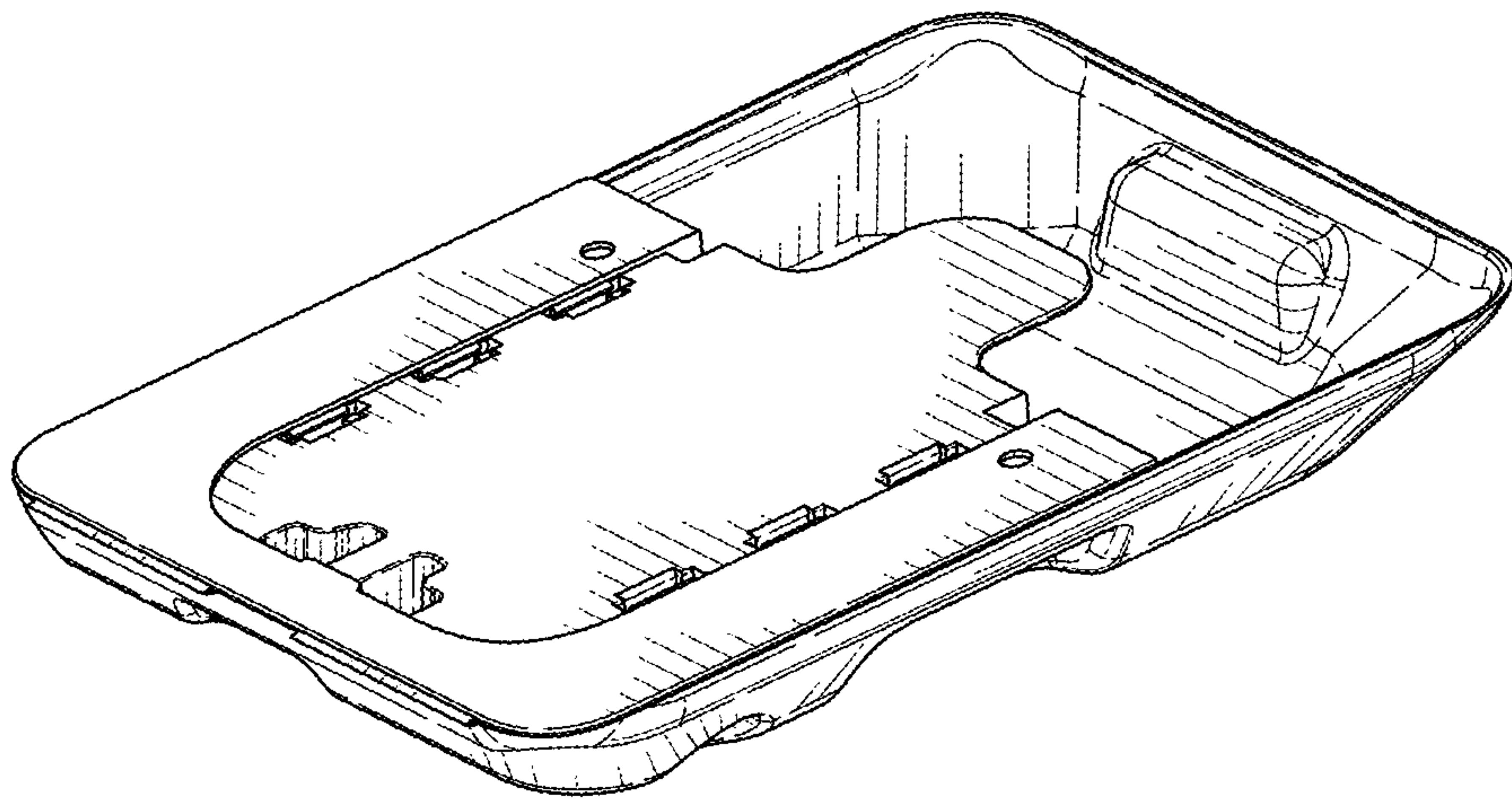


FIG. 2

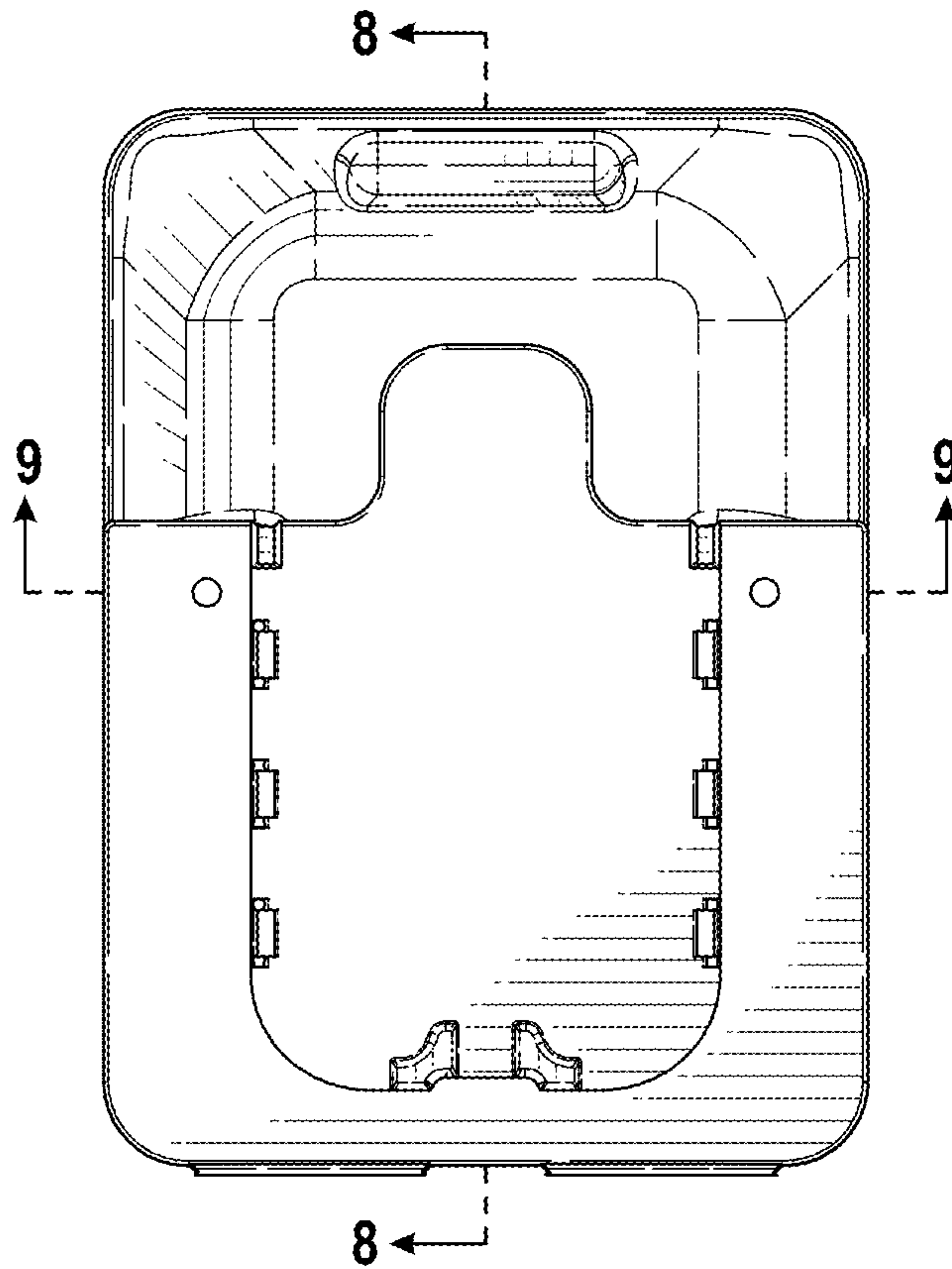


FIG. 3

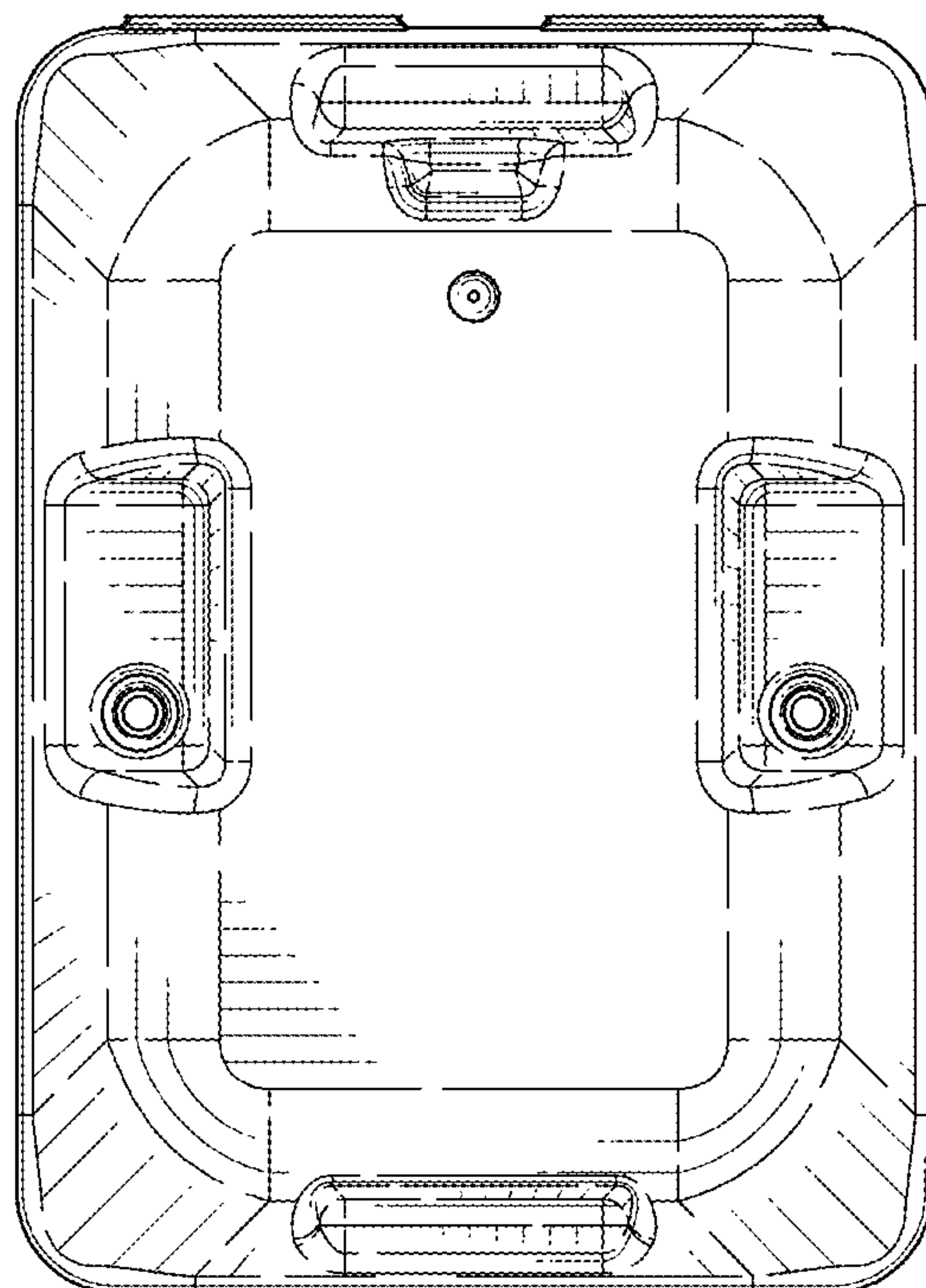


FIG. 4

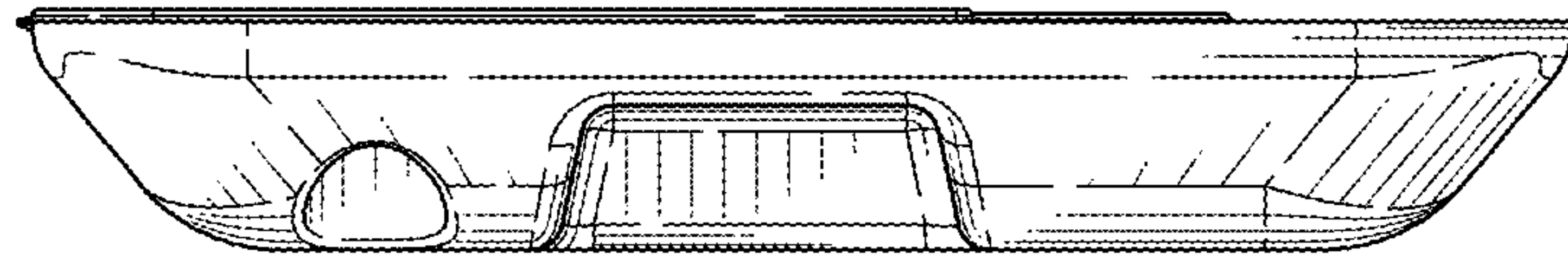


FIG. 5

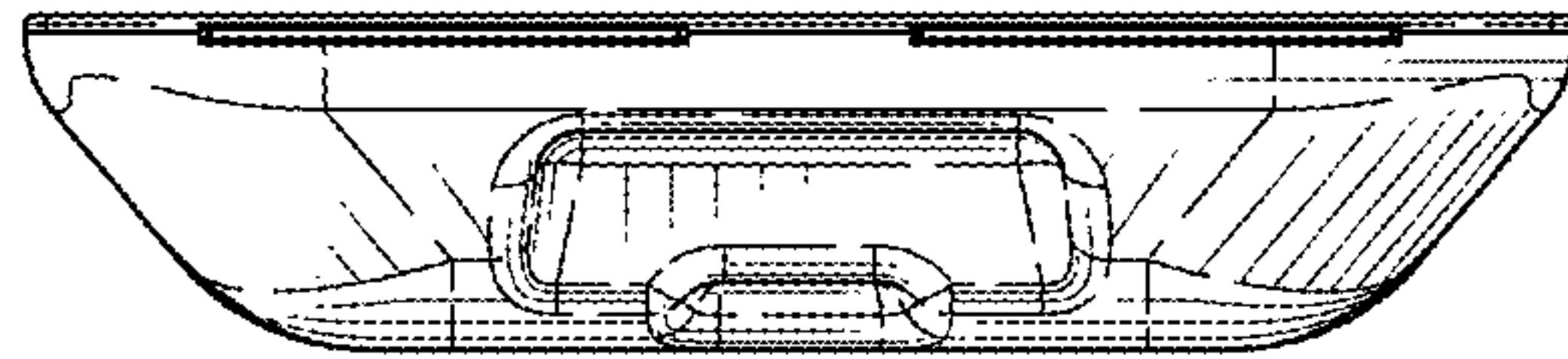


FIG. 6

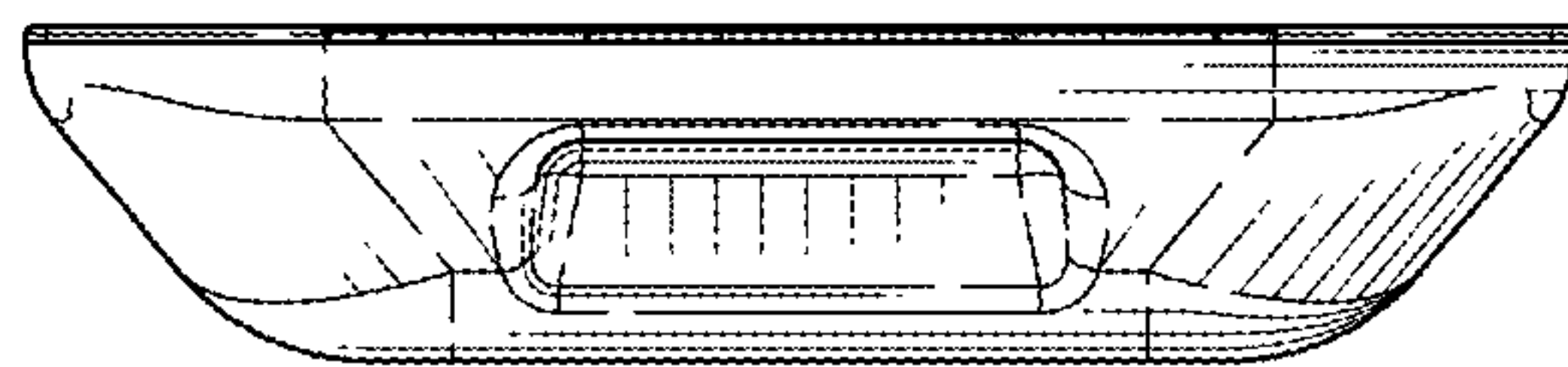


FIG. 7

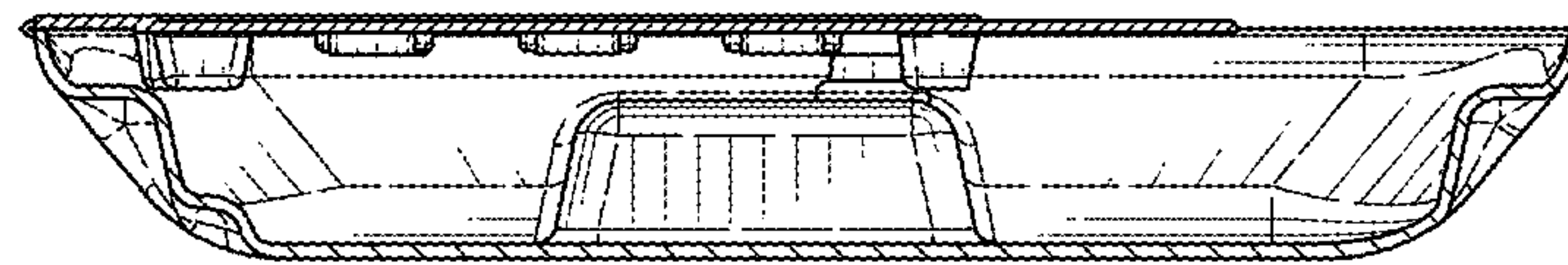


FIG. 8

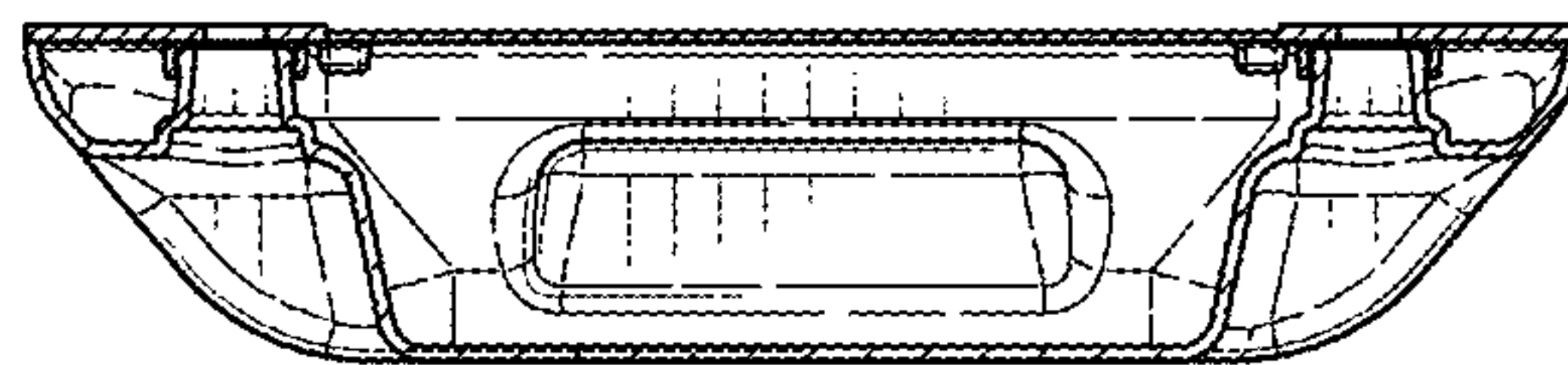


FIG. 9



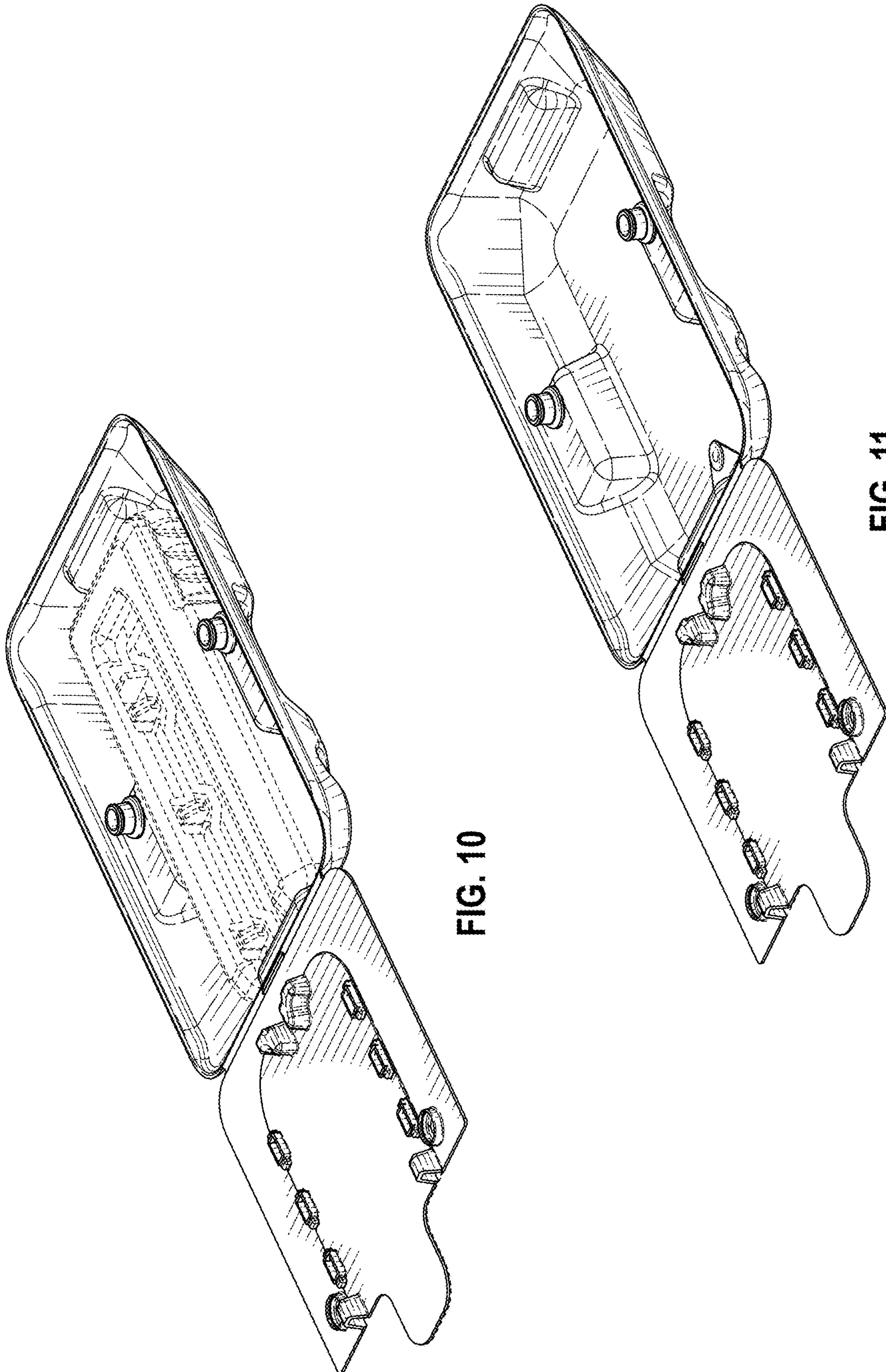


FIG. 10

FIG. 11

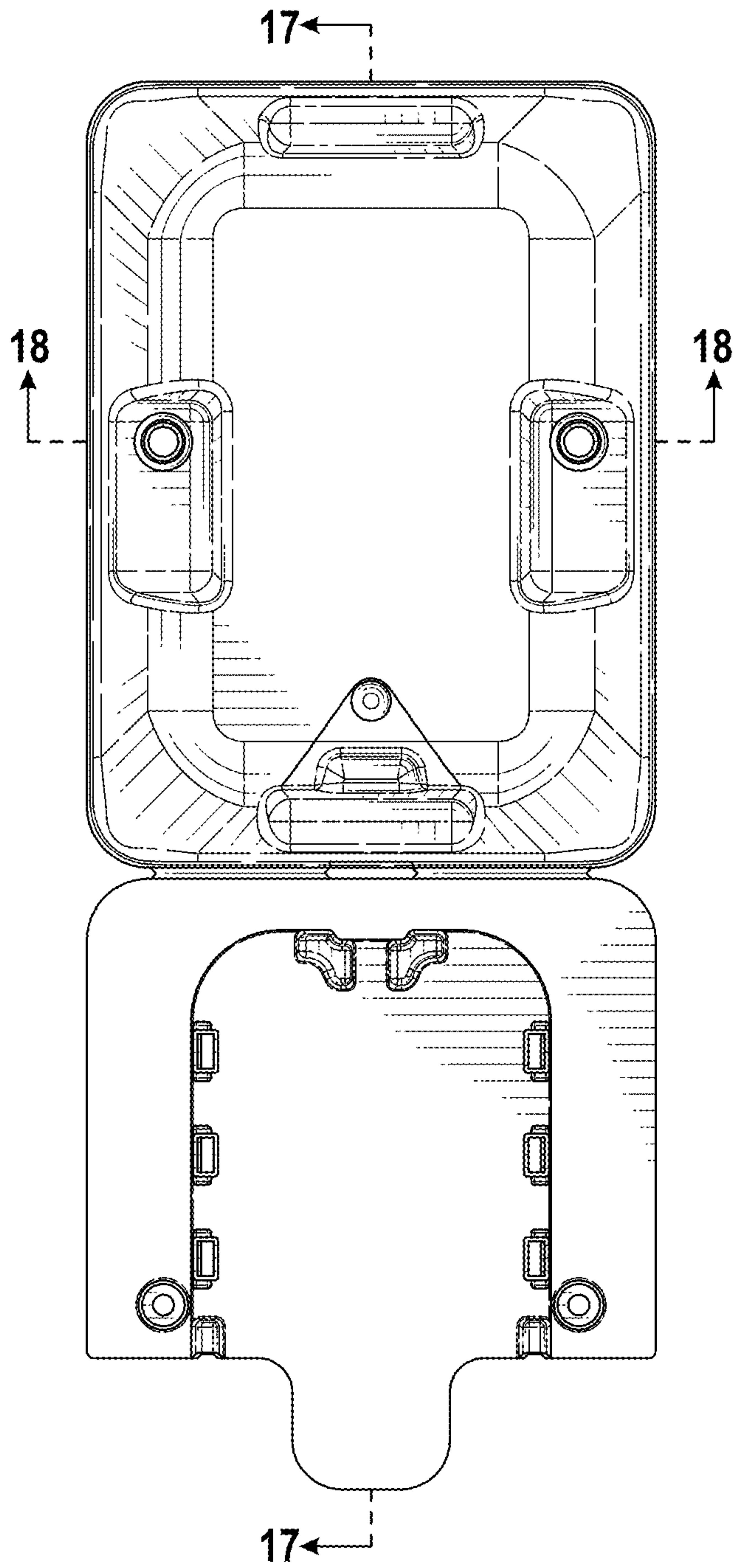


FIG. 12

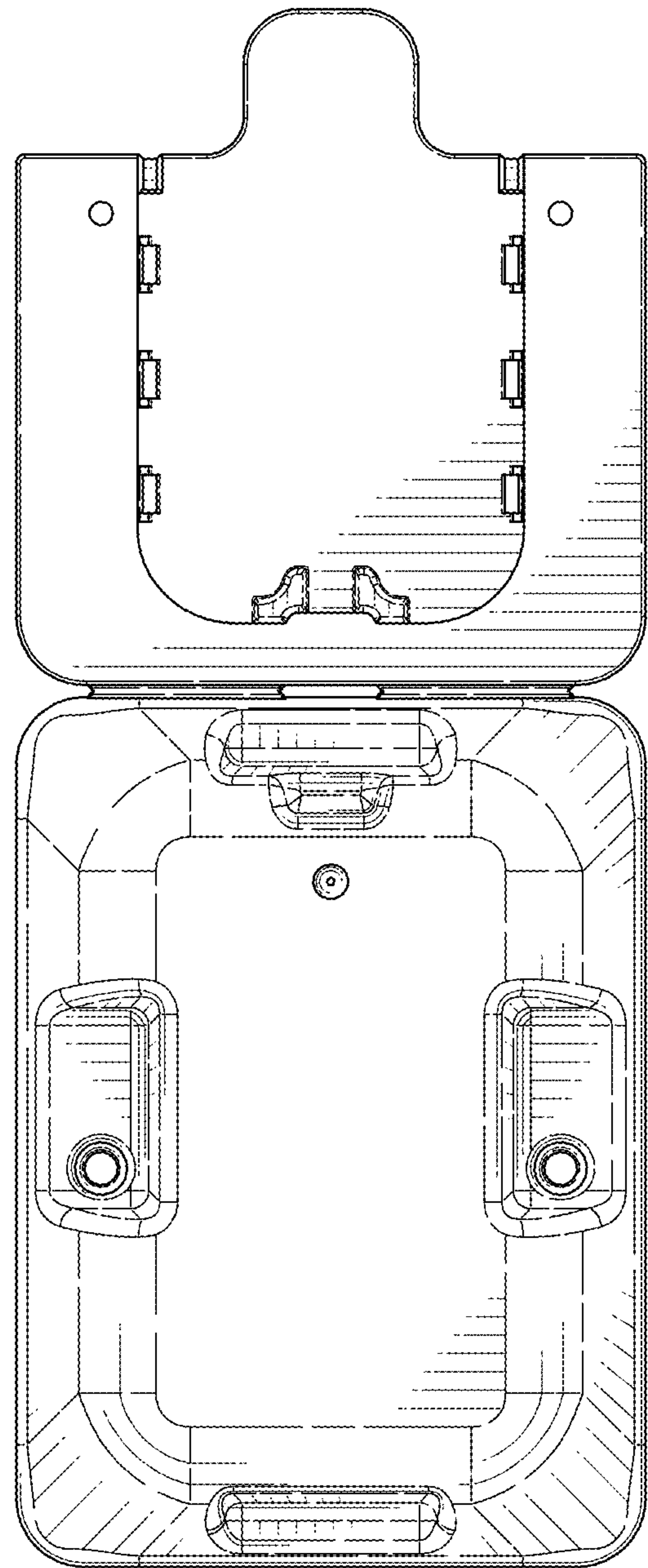


FIG. 13



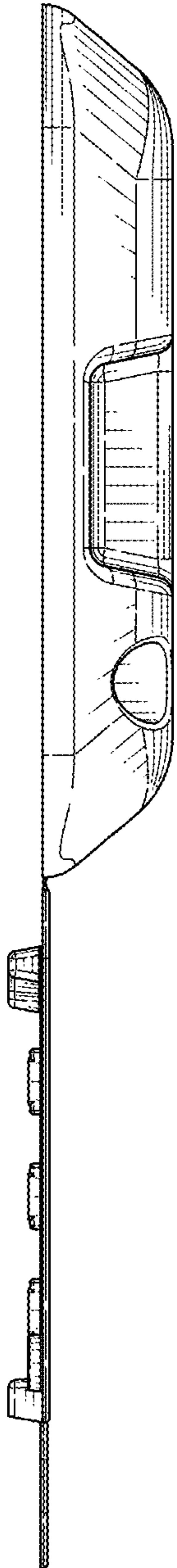


FIG. 14

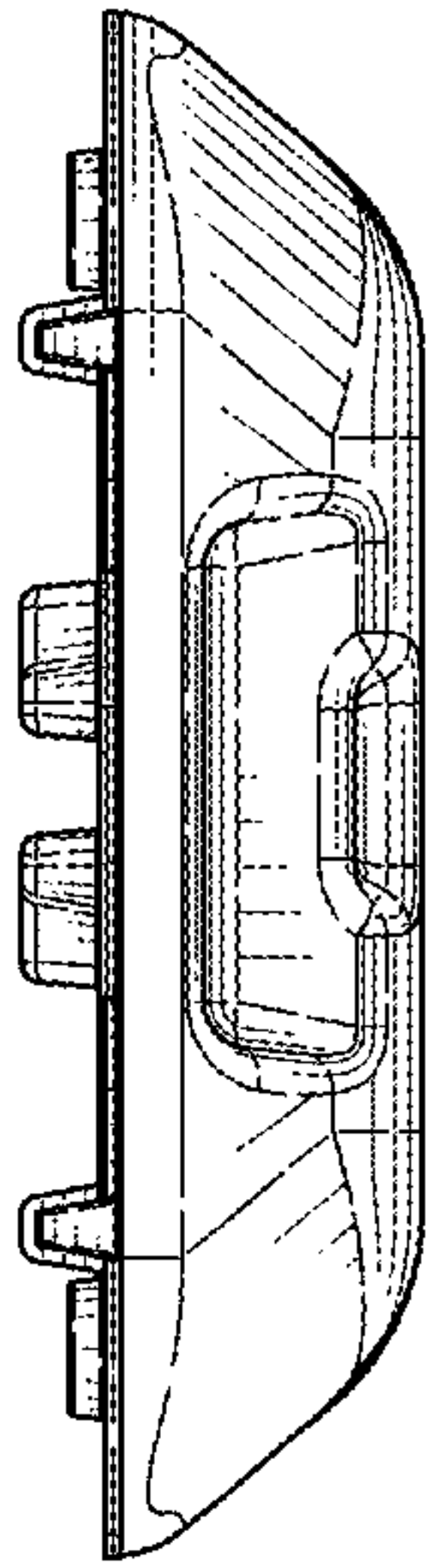


FIG. 15

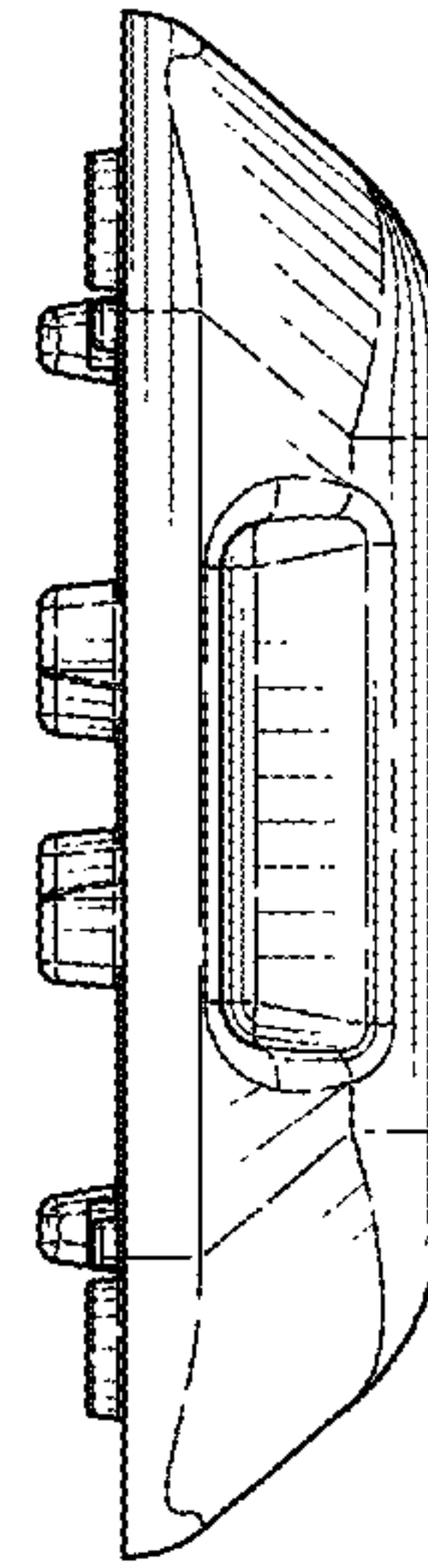


FIG. 16

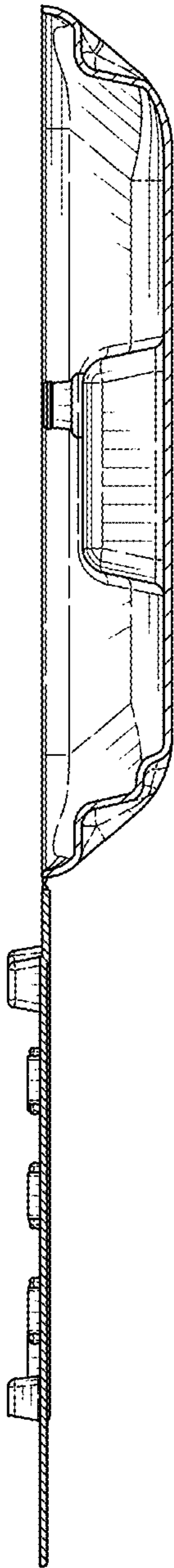


FIG. 17



FIG. 18

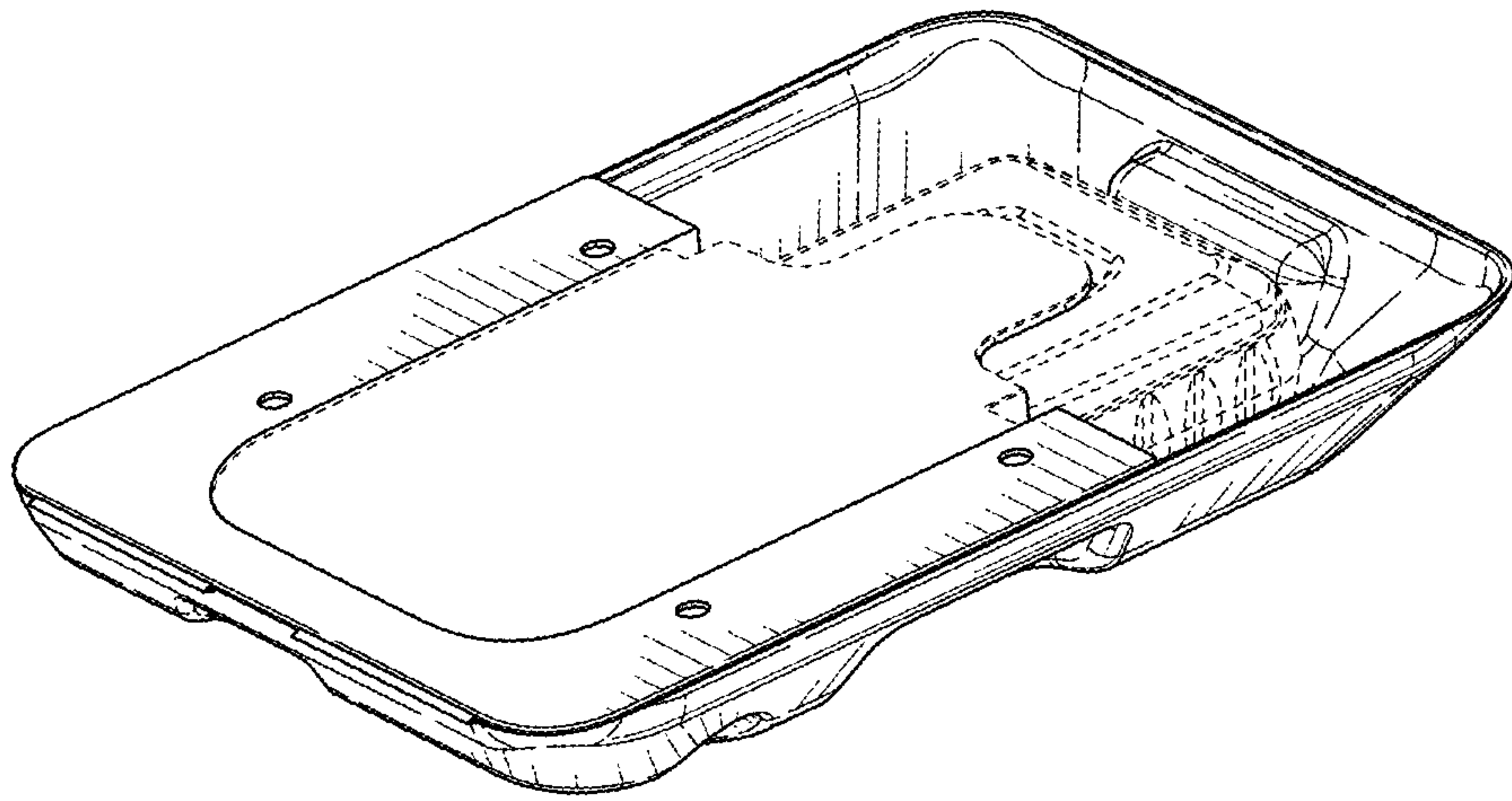


FIG. 19

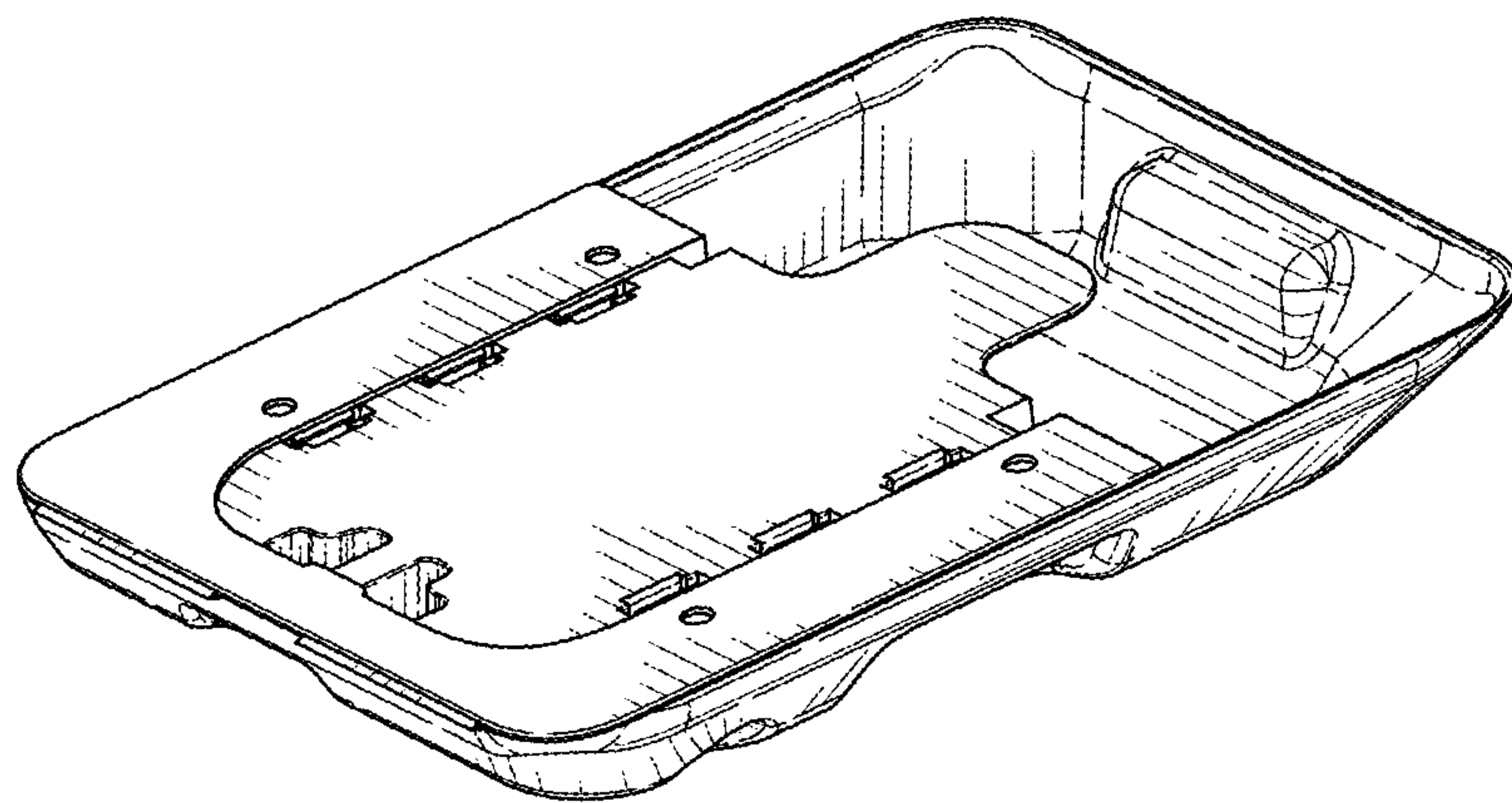


FIG. 20



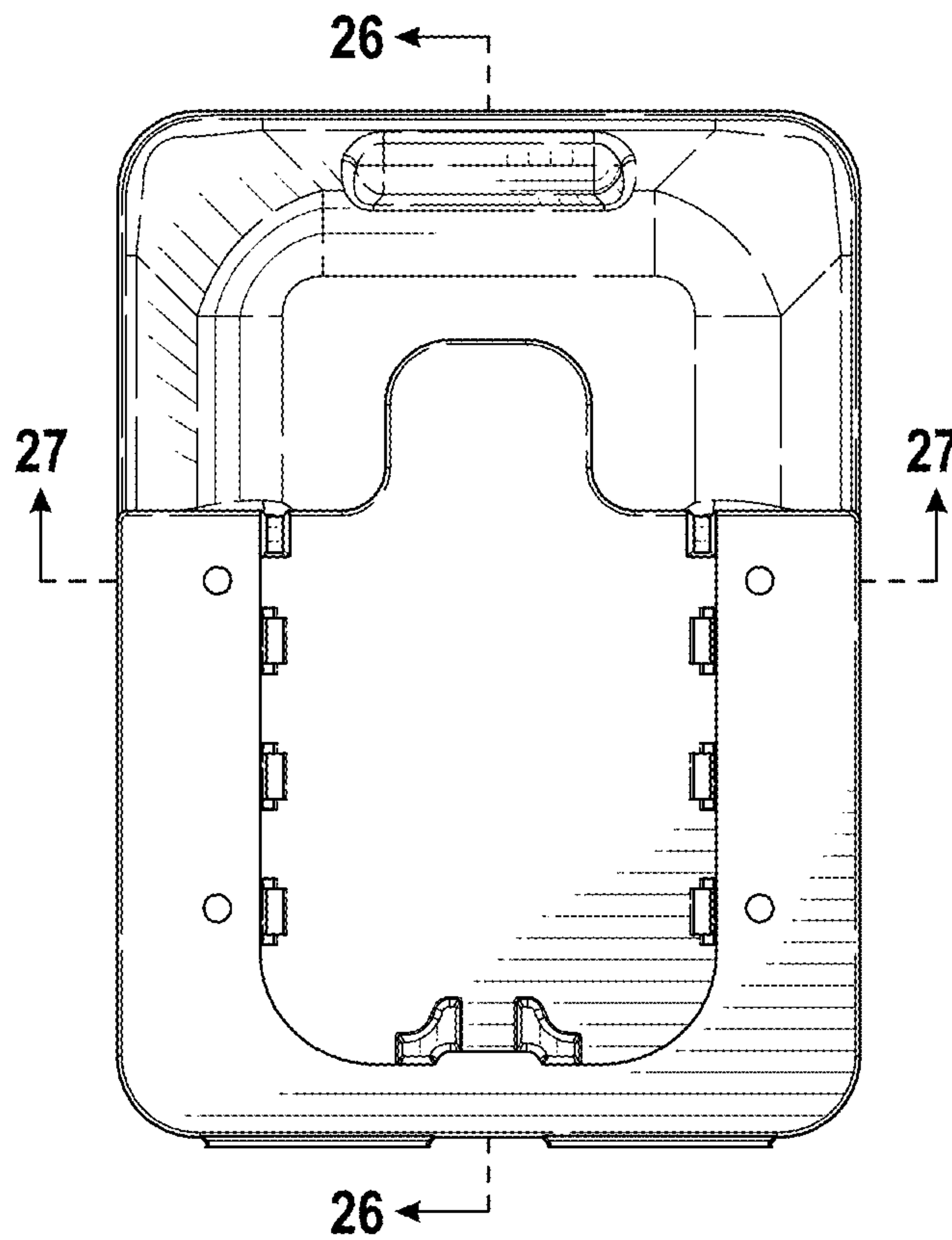


FIG. 21

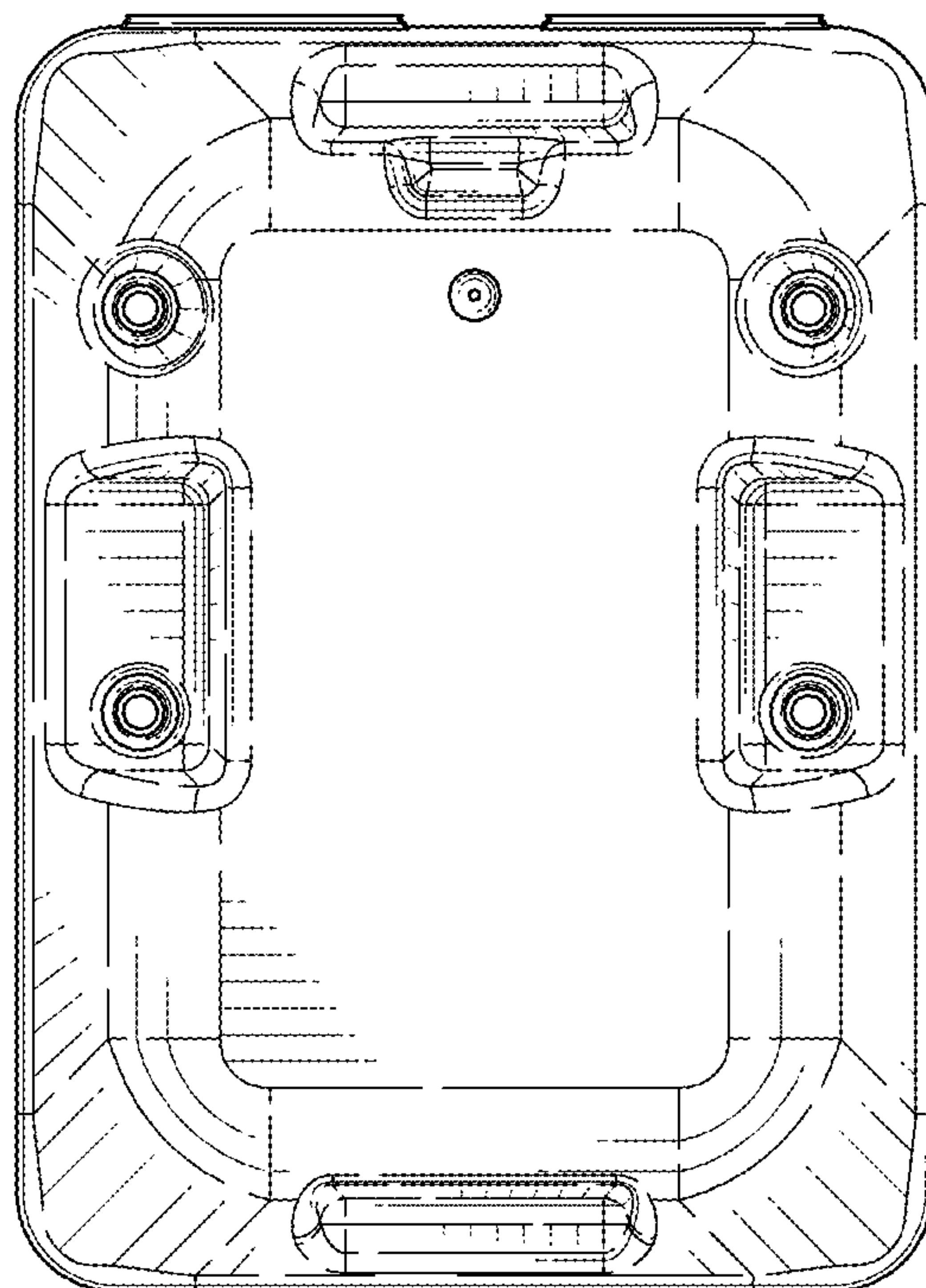


FIG. 22

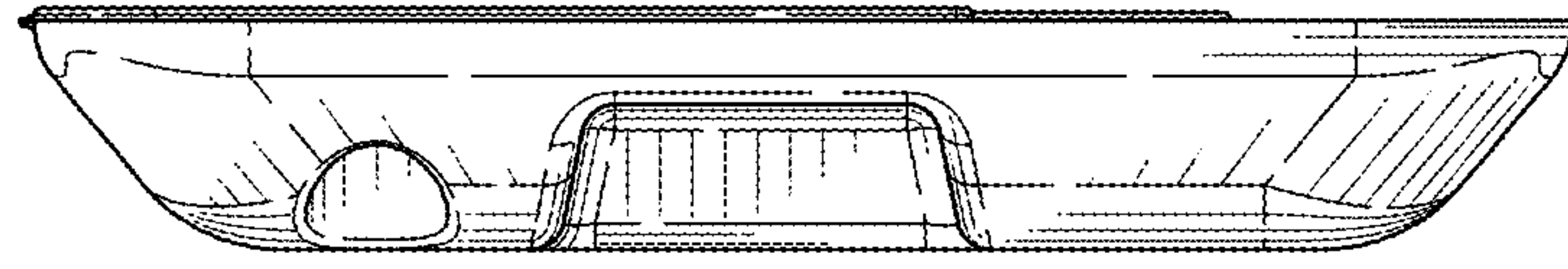


FIG. 23

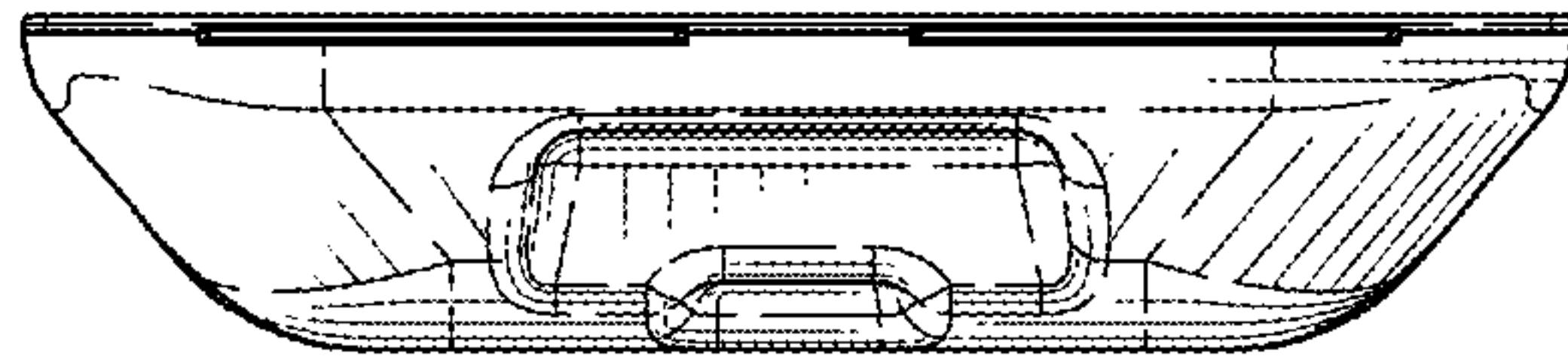


FIG. 24

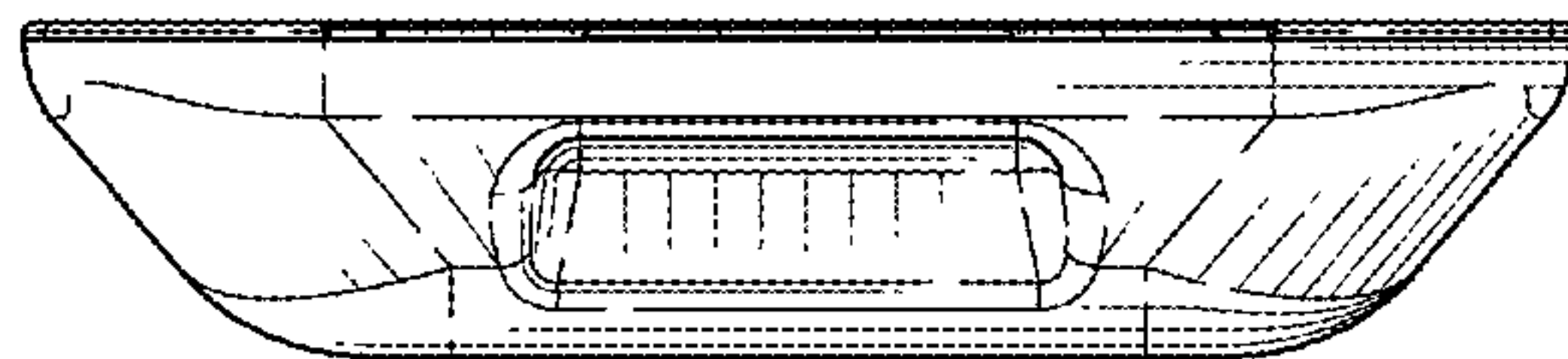


FIG. 25

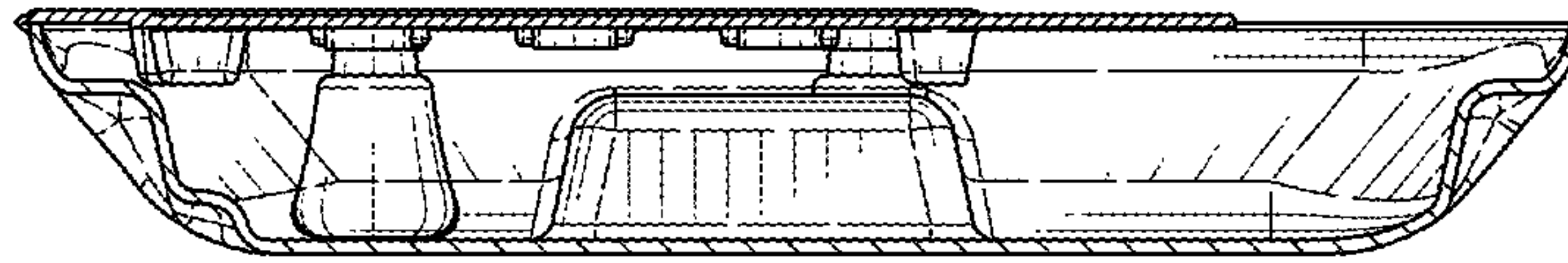


FIG. 26

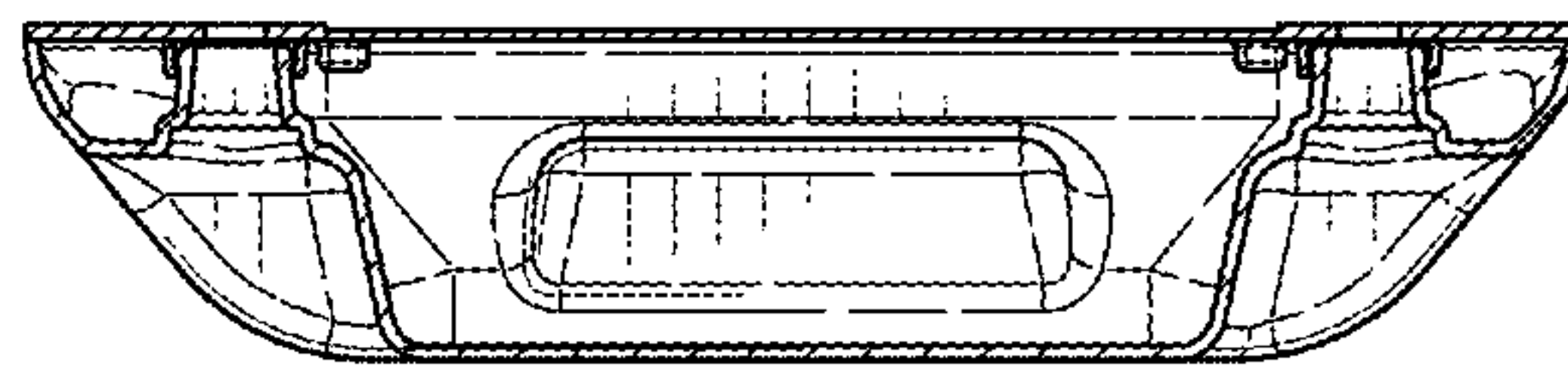


FIG. 27



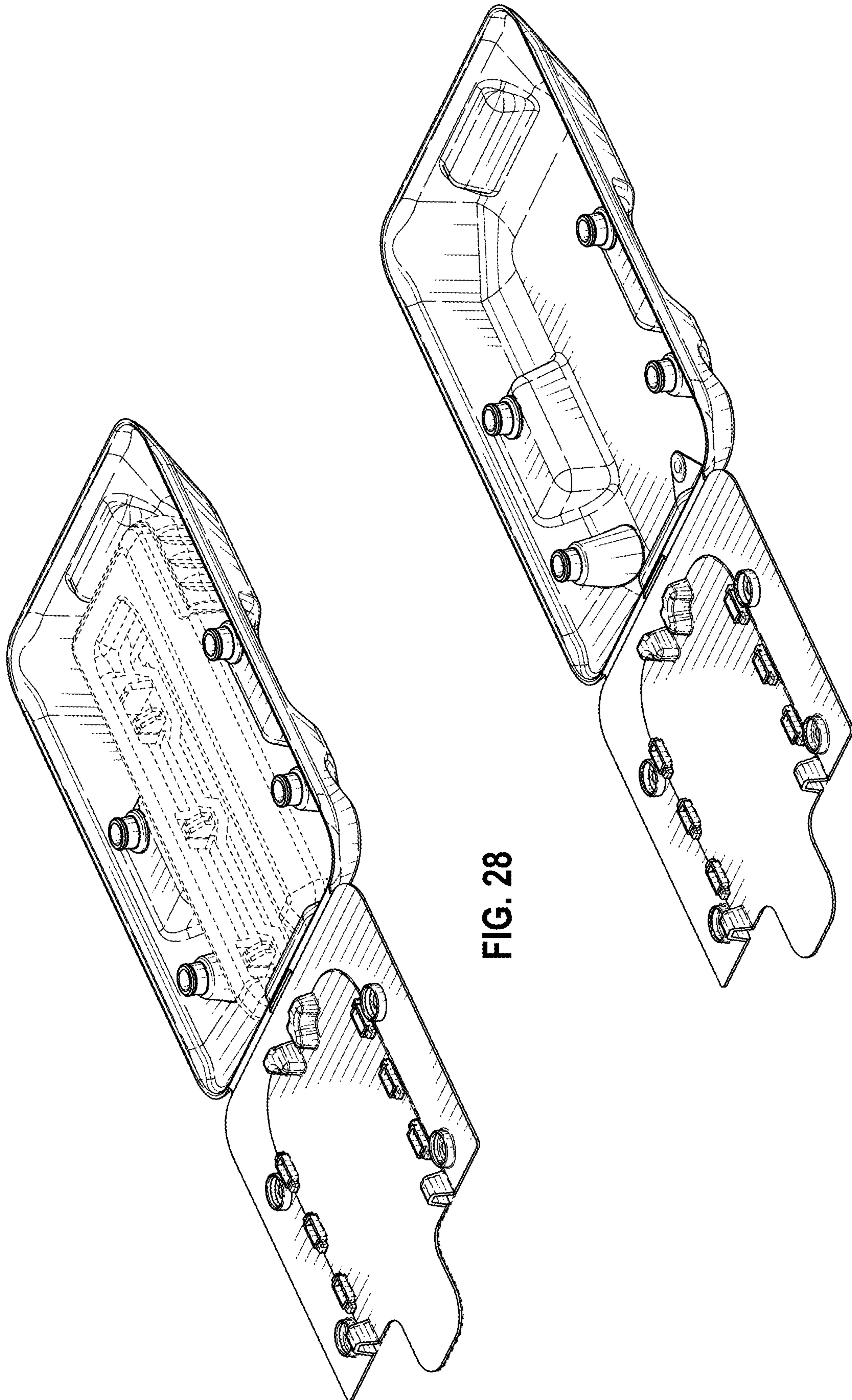


FIG. 28

FIG. 29

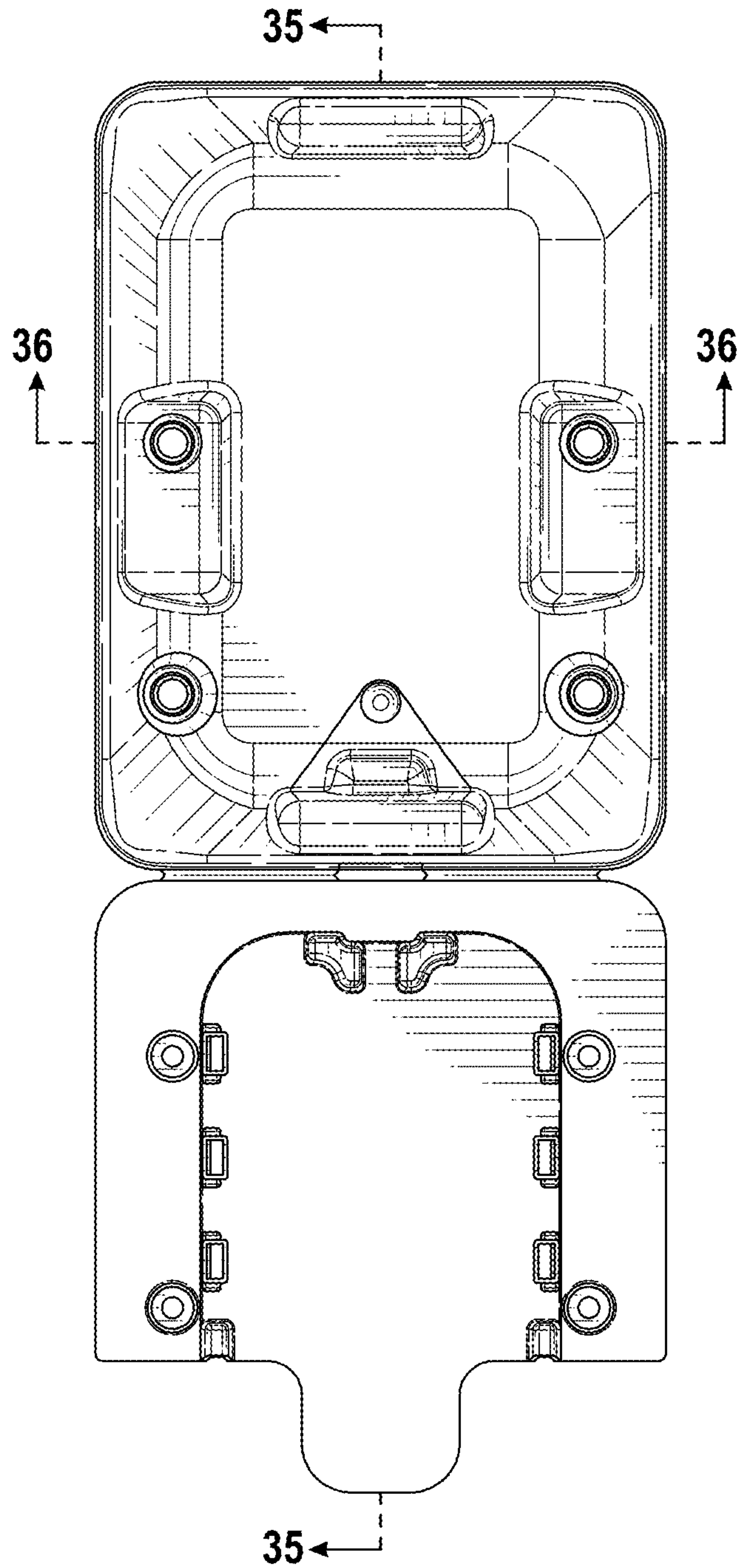


FIG. 30

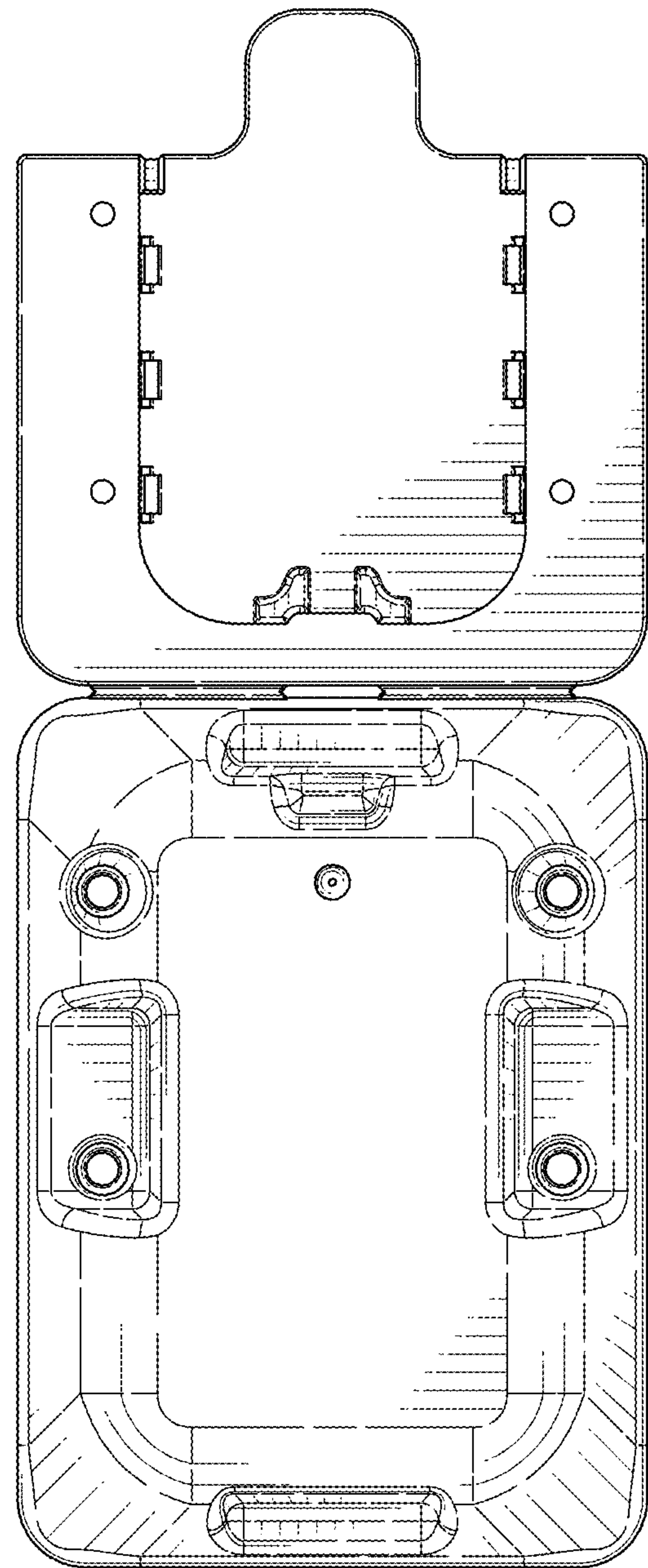


FIG. 31

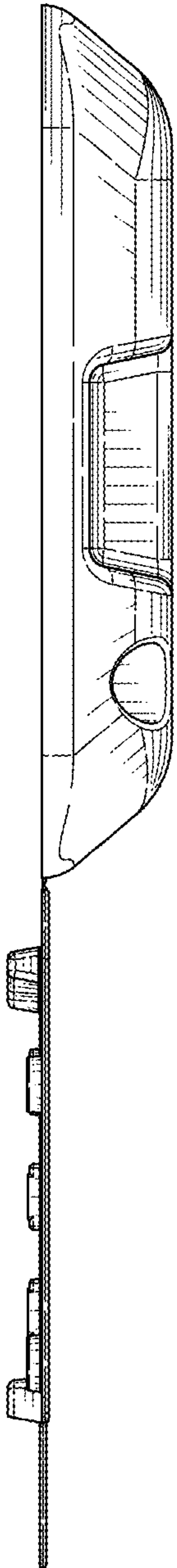


FIG. 32

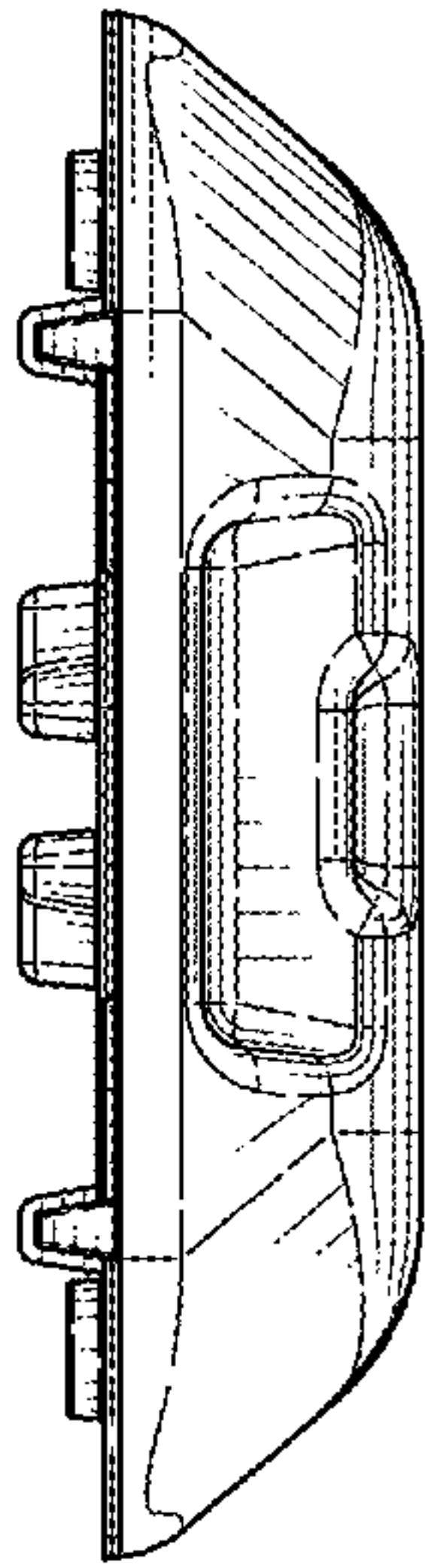


FIG. 33

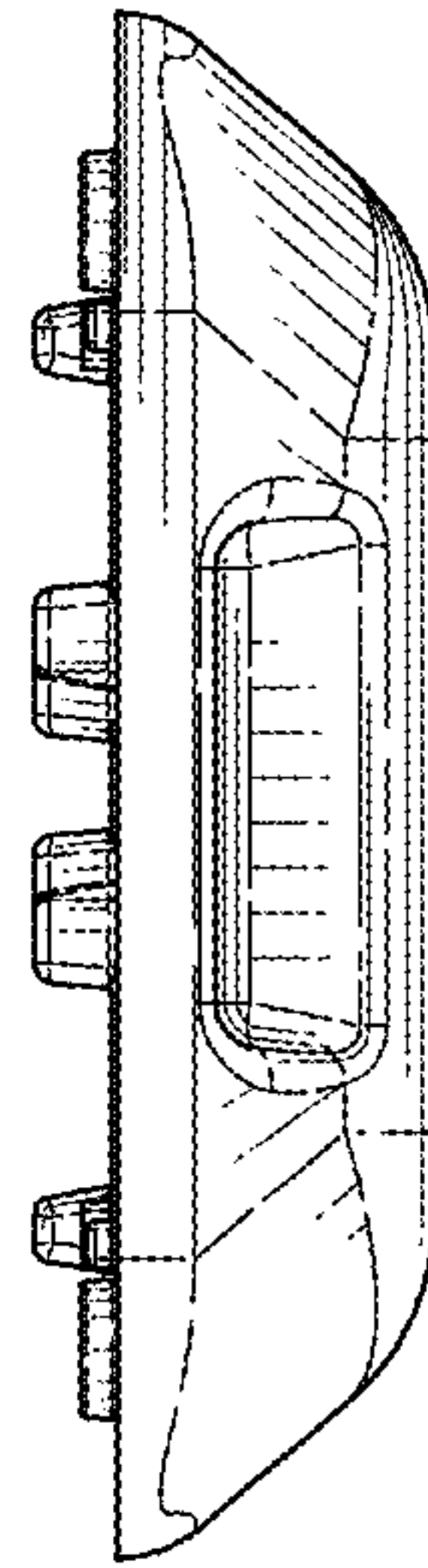


FIG. 34



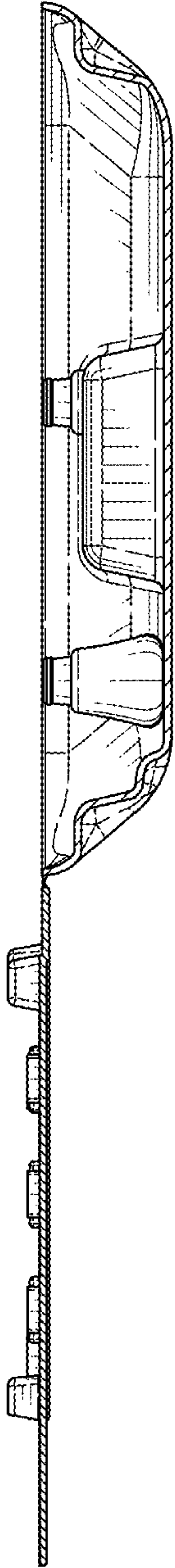


FIG. 35

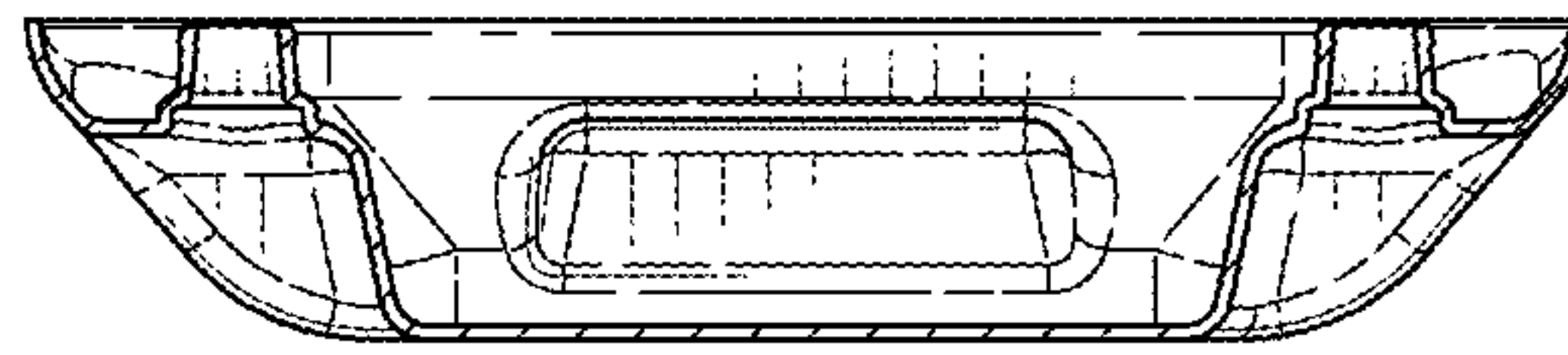


FIG. 36