



US00D958358S

(12) **United States Design Patent**  
**McClure**

(10) **Patent No.:** **US D958,358 S**  
(45) **Date of Patent:** **\*\* Jul. 19, 2022**

(54) **SUTURE KIT HOLDER**  
(71) Applicant: **Alex McClure**, Jacksonville, FL (US)  
(72) Inventor: **Alex McClure**, Jacksonville, FL (US)  
(\*\*) Term: **15 Years**

5,230,424 A \* 7/1993 Alpern ..... A61B 17/06133  
206/227  
5,538,132 A \* 7/1996 Propp ..... A61B 17/06133  
206/818  
8,997,978 B2 \* 4/2015 Stopek ..... A61B 17/06133  
206/363

(21) Appl. No.: **29/754,202**  
(22) Filed: **Oct. 7, 2020**  
(51) **LOC (13) Cl.** ..... **24-02**  
(52) **U.S. Cl.**  
USPC ..... **D24/145**  
(58) **Field of Classification Search**  
USPC ..... D24/145, 147; D9/414, 423; D3/201,  
D3/203.7, 212  
CPC ..... A61B 17/06061; A61B 17/06133  
See application file for complete search history.

**OTHER PUBLICATIONS**

Alcedo Suture Practice Kit for Medical Students | Complete Kit (32 Pieces) include Durable Large Suturing Pad with Pre-Cut Wounds, Tools Kit, and Suture Threads | Perfect for Practice, Demonstration. Retrieved on Apr. 27, 2022. Retrived from Internet [https://www.amazon.com/dp/B07PV14HWF?ref\\_=cm\\_sw\\_r\\_cp\\_ud\\_dp\\_QCPJQYSKW9ZW7KY5D3V0](https://www.amazon.com/dp/B07PV14HWF?ref_=cm_sw_r_cp_ud_dp_QCPJQYSKW9ZW7KY5D3V0). Mar. 19, 2019.\*

\* cited by examiner

*Primary Examiner* — Wan Laymon  
(74) *Attorney, Agent, or Firm* — Barry Choobin; Patent 360

(57) **CLAIM**

The ornamental design for a suture kit holder, as shown and described.

(56) **References Cited**

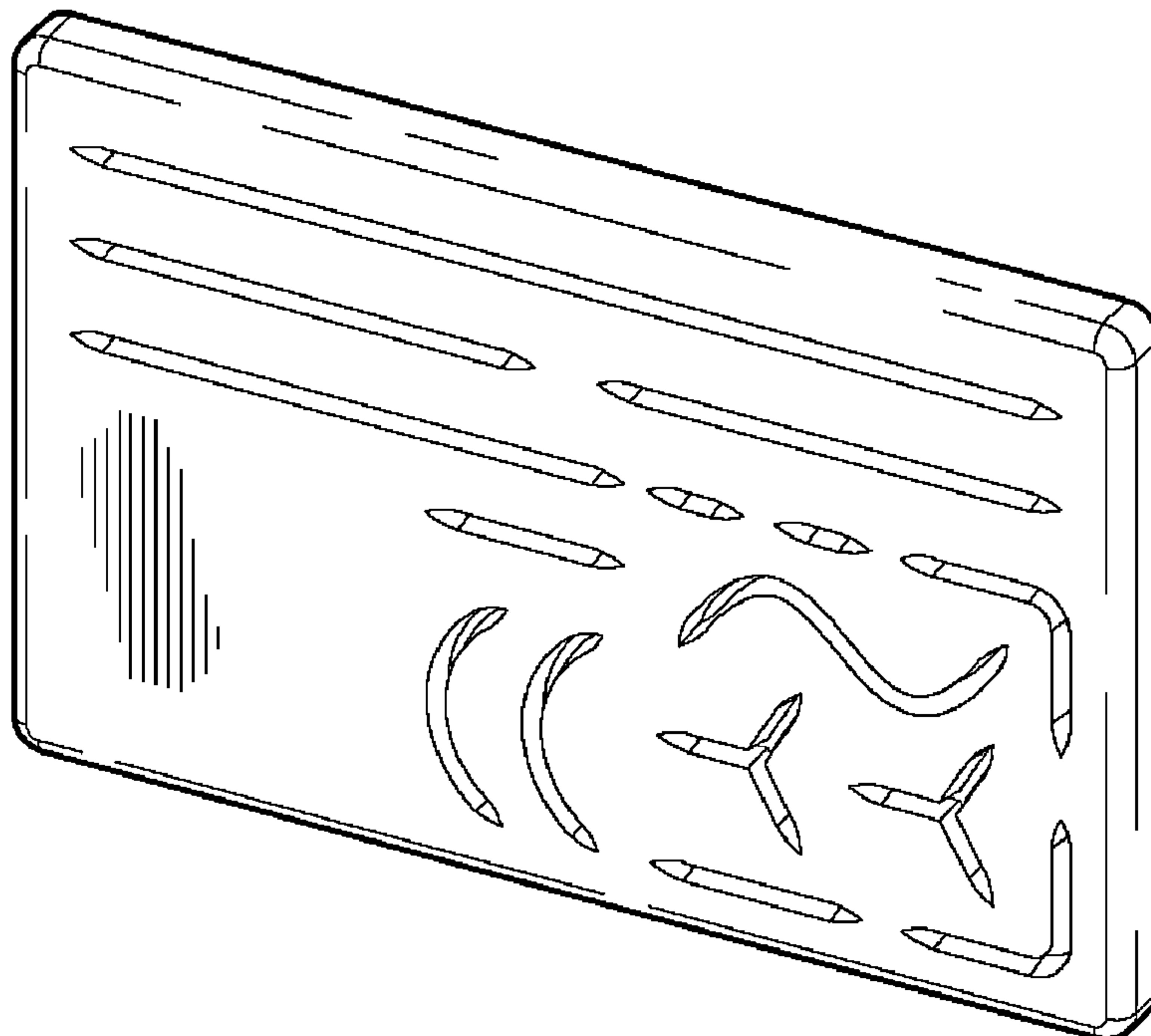
**U.S. PATENT DOCUMENTS**

2,993,589 A \* 7/1961 Zoller ..... A61B 17/06133  
206/227  
3,627,120 A \* 12/1971 Bordeau ..... A61B 17/06133  
206/408  
4,210,148 A \* 7/1980 Stivala ..... A61B 17/0466  
D24/145  
4,287,987 A \* 9/1981 Hoffman ..... A61B 17/06133  
206/382  
D272,600 S \* 2/1984 Kubas ..... 206/63.3  
4,674,629 A \* 6/1987 Gunselman ..... A61B 17/06133  
206/382  
5,228,565 A \* 7/1993 Sinn ..... A61B 17/06133  
53/430

**DESCRIPTION**

FIG. 1 is a perspective view of a suture kit holder, showing my new design;  
FIG. 2 is a front view thereof;  
FIG. 3 is a rear view thereof;  
FIG. 4 is a top view thereof;  
FIG. 5 is a bottom view thereof;  
FIG. 6 is a right-side view thereof;  
FIG. 7 is a left-side view thereof; and,  
FIG. 8 is a cross-sectional view taken along line 8-8 of FIG. 2.

**1 Claim, 3 Drawing Sheets**



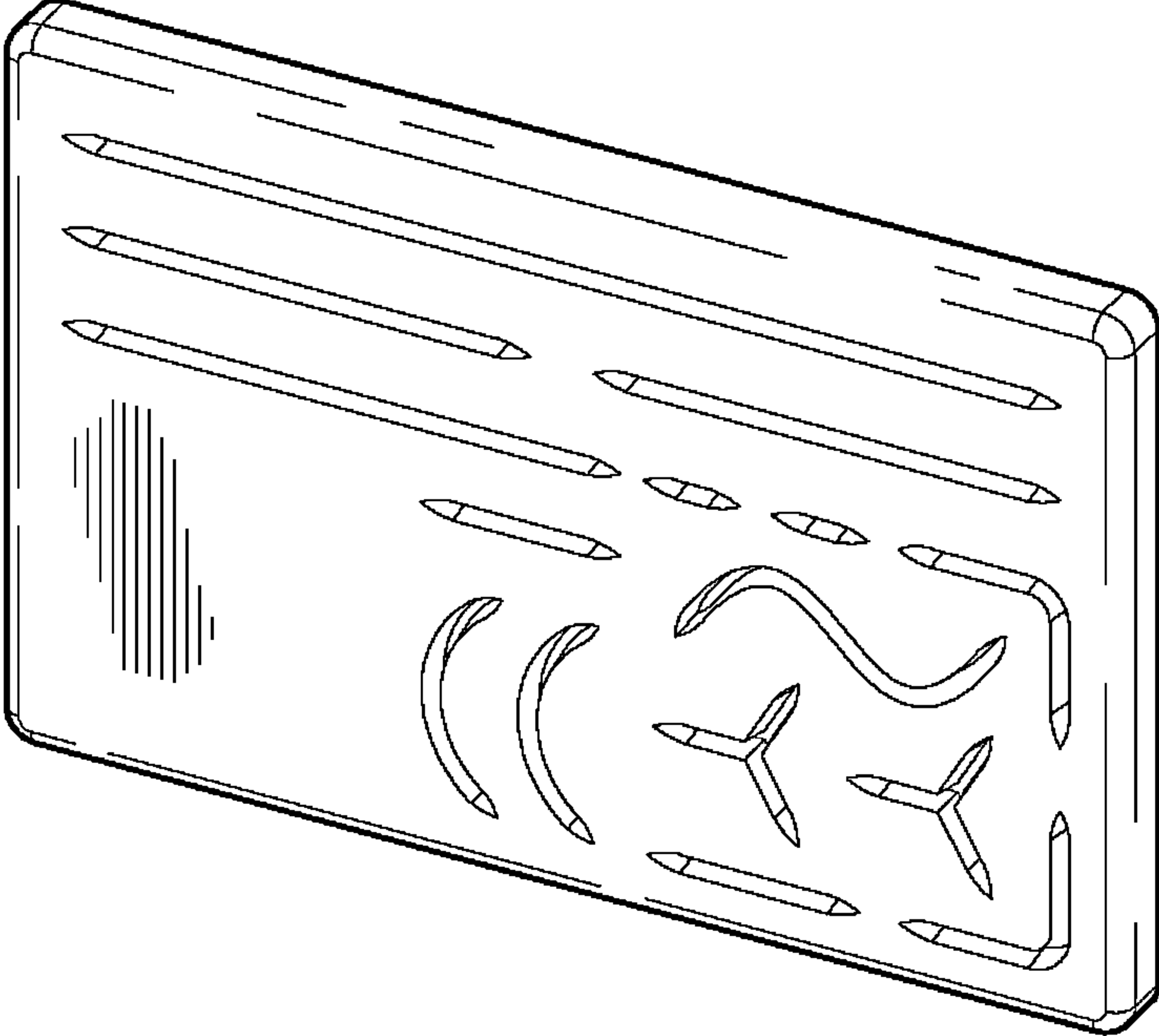


FIG. 1

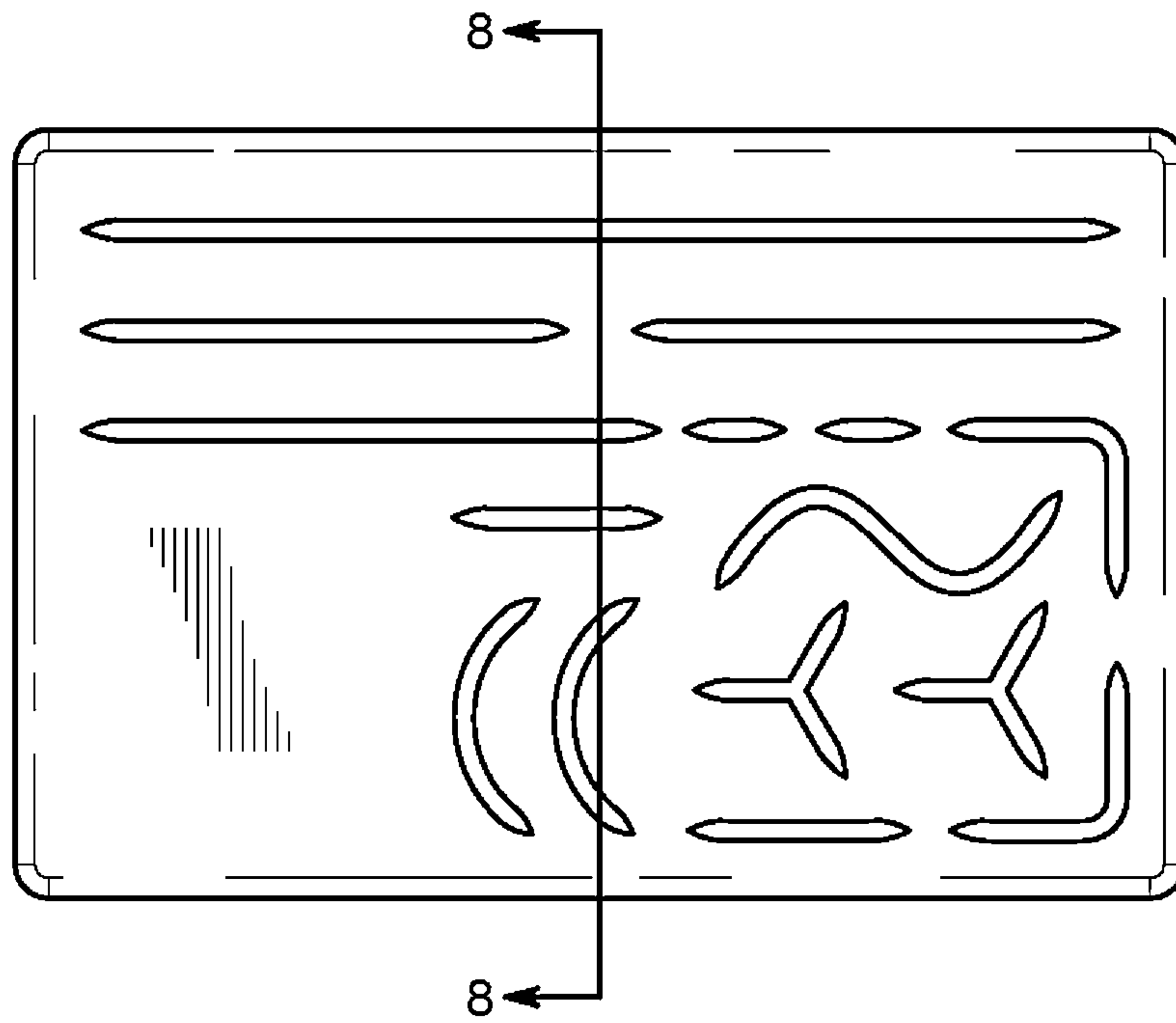


FIG. 2

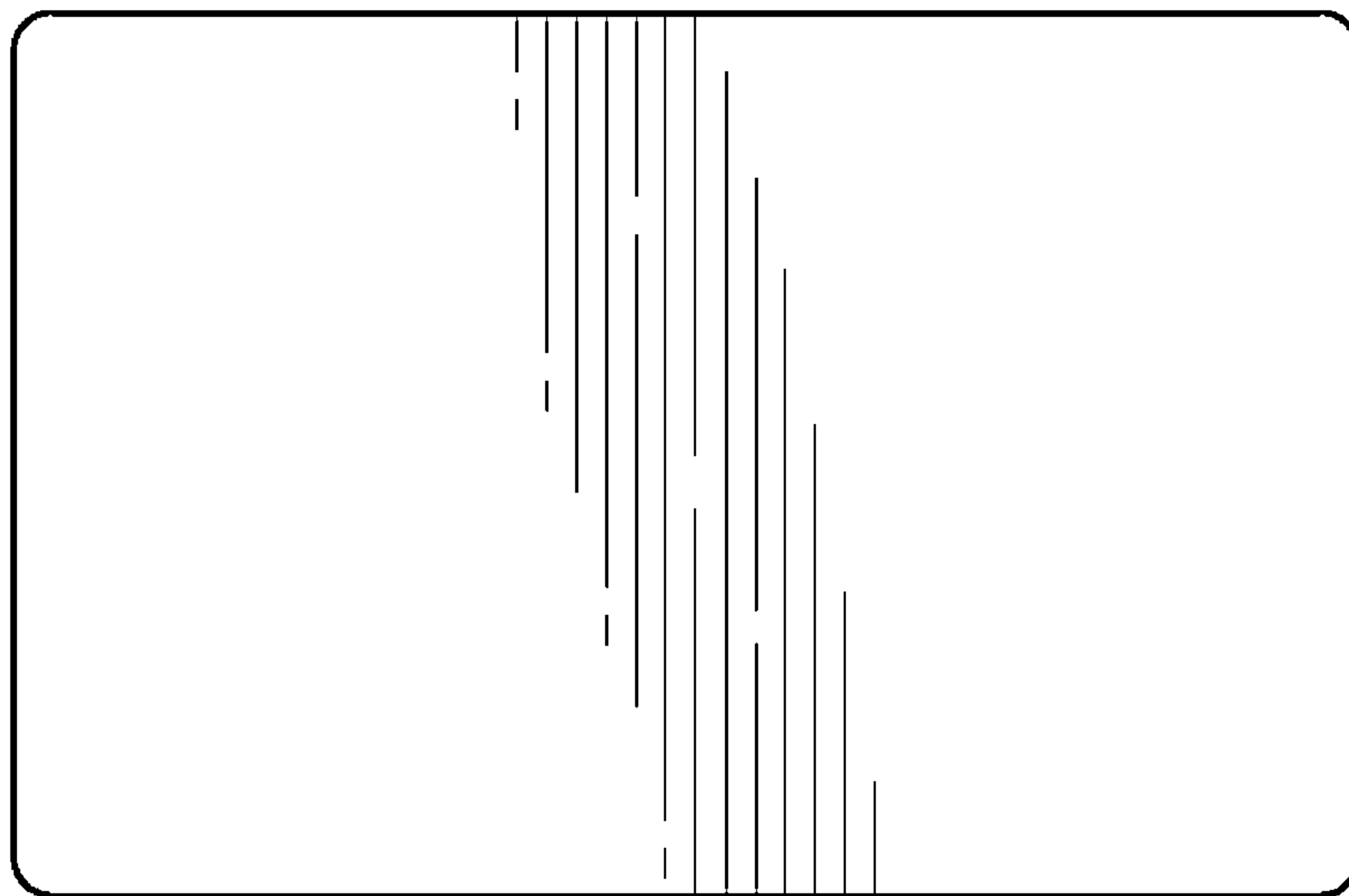


FIG. 3

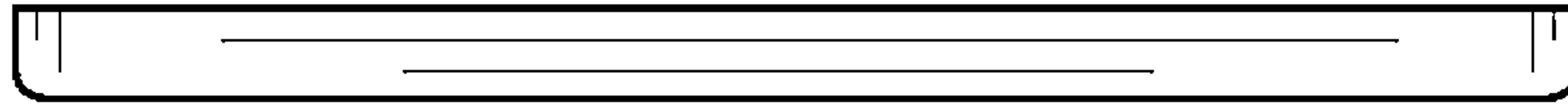


FIG. 4

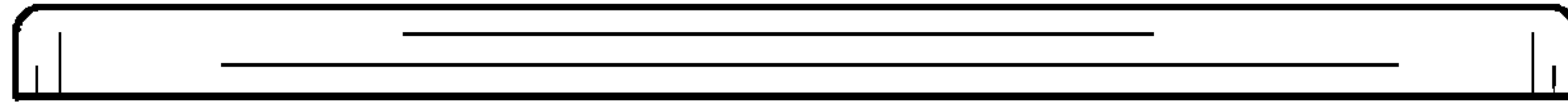


FIG. 5

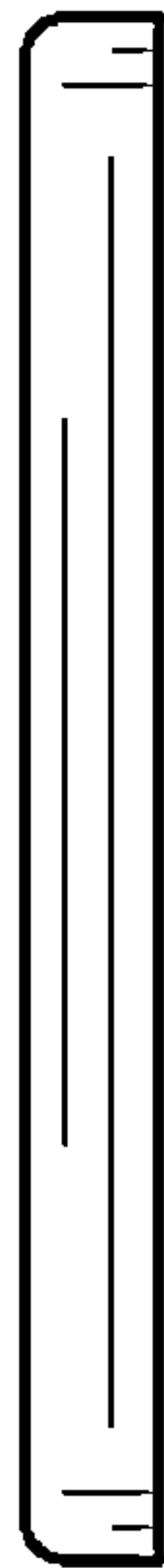


FIG. 6

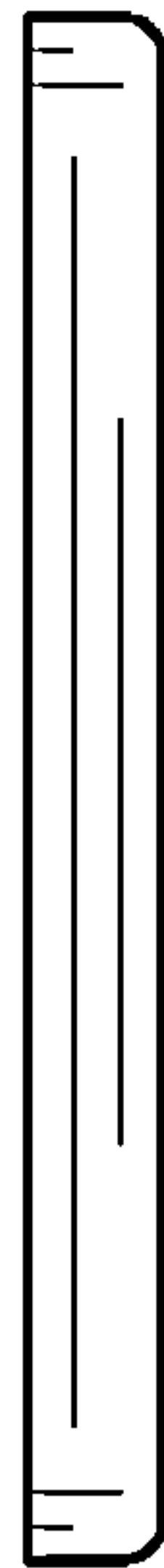


FIG. 7



FIG. 8