



US00D958350S

(12) **United States Design Patent** (10) **Patent No.:** **US D958,350 S**
Okamura et al. (45) **Date of Patent:** **** Jul. 19, 2022**

(54) **CATHETER**

D688,797 S * 8/2013 Nihonmatsu D24/130
D703,813 S * 4/2014 Bolia D24/140
D703,814 S * 4/2014 Bolia D24/140

(71) Applicant: **TERUMO KABUSHIKI KAISHA,**
Tokyo (JP)

(Continued)

(72) Inventors: **Ryo Okamura,** Shizuoka (JP);
Mitsuteru Yasunaga, Shizuoka (JP)

FOREIGN PATENT DOCUMENTS

EM 008187660-0001 * 11/2020
GB 9007799184-0001 * 4/2020

(73) Assignee: **TERUMO KABUSHIKI KAISHA,**
Tokyo (JP)

(Continued)

(**) Term: **15 Years**

OTHER PUBLICATIONS

(21) Appl. No.: **29/752,209**

Dr. Vaibhav Jain MD,DNB,MNAMS, "Catheters and Wires," [Post date unknown], [Site seen Mar. 3, 2022], Seen at URL: https://www.nams-india.in/downloads/cmeevents/ircme/Cathetersandwires_DrVaibhav.pdf (Year: 2022).*

(22) Filed: **Sep. 25, 2020**

(Continued)

(30) **Foreign Application Priority Data**

May 14, 2020 (JP) 2020-009540

(51) **LOC (13) Cl.** **24-02**

(52) **U.S. Cl.**
USPC **D24/140; D24/130**

(58) **Field of Classification Search**
USPC D24/112-114, 127-131, 133, 140, 146,
D24/108, 186

CPC A61M 25/0108; A61M 2025/09166; A61M
2025/0095; A61M 25/0102

See application file for complete search history.

(56) **References Cited**

U.S. PATENT DOCUMENTS

4,838,879 A 6/1989 Tanabe et al.
5,045,072 A * 9/1991 Castillo A61M 25/008
604/529
5,897,537 A * 4/1999 Berg F16L 11/081
604/525
6,036,682 A * 3/2000 Lange A61M 25/0108
604/529
D611,601 S * 3/2010 Tamai D24/140

Primary Examiner — Natasha Vujcic

Assistant Examiner — Gilbert B Ford

(74) *Attorney, Agent, or Firm* — IPUSA, PLLC

(57) **CLAIM**

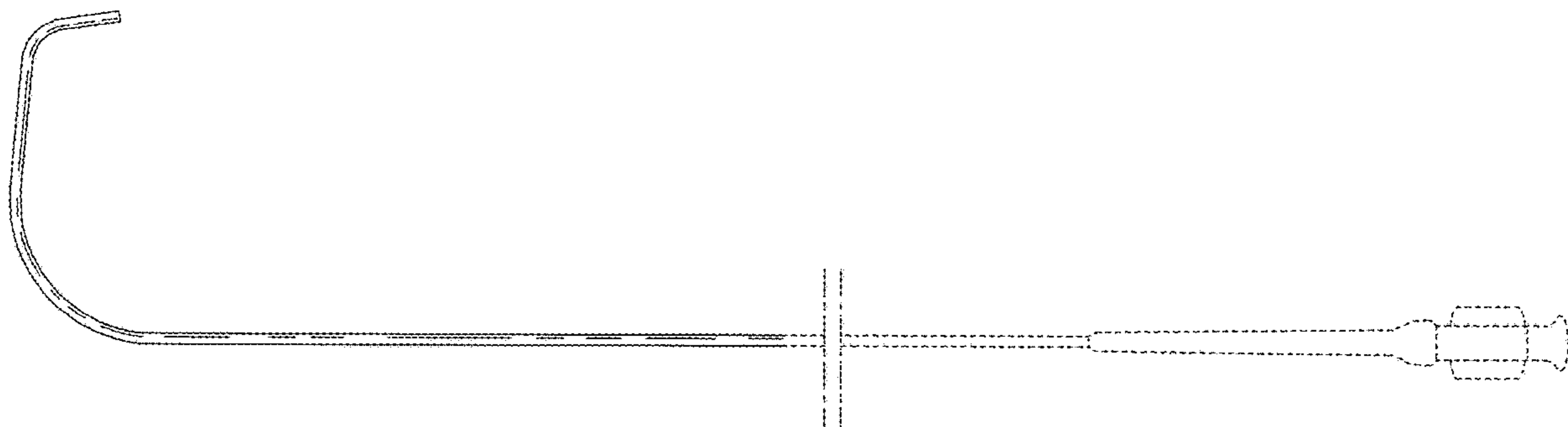
We claim, the ornamental design for a catheter, as shown and described.

DESCRIPTION

FIG. 1 is a front view of a catheter, showing our new design;
FIG. 2 is a rear view thereof;
FIG. 3 is a top plan view thereof;
FIG. 4 is a bottom plan view thereof;
FIG. 5 is a left side view thereof; and,
FIG. 6 is a right side view thereof; and,
FIG. 7 is a reduced-scale front view showing the catheter in a wound condition.

The broken lines shown in the drawings represent portions of the catheter that form no part of the claimed design. The parallel dash-dot in the drawings indicate that the appearance of any portion of the catheter between the break lines forms no part of the claimed design.

1 Claim, 5 Drawing Sheets



(56)

References Cited

U.S. PATENT DOCUMENTS

D703,815	S *	4/2014	Bolia	D24/140
D704,335	S *	5/2014	Bolia	D24/140
D747,474	S *	1/2016	Koizumi	D24/130
D755,373	S *	5/2016	Koizumi	D24/130
D761,959	S *	7/2016	Wapler	D24/140
D852,353	S *	6/2019	Paul	D24/127
D858,751	S *	9/2019	Fischman	D24/112
2004/0171996	A1 *	9/2004	Kiemeneij	A61M 25/0041 604/264
2013/0281850	A1 *	10/2013	Okajima	A61M 25/065 600/433
2019/0117938	A1 *	4/2019	Norman	A61M 25/0052
2019/0159878	A1 *	5/2019	Wasty	A61M 25/0905

FOREIGN PATENT DOCUMENTS

JP	S62-261371	11/1987
JP	D1510449	* 4/2013
JP	D1701218	* 11/2021

OTHER PUBLICATIONS

“What is your primary choice for RadialFirst and FemoralAccess diagnostic catheters?”, youngNIR, Twitter, [Post date: Oct. 8, 2019], [Site seen Mar. 3, 2022], Seen at URL: <https://twitter.com/youngnir/status/1181509668184772608> (Year: 2019).*

“Tools of the Trade” Radiology Key: Fastest Radiology Insight Engine, [Post date unknown], [Site seen Mar. 3, 2022], Seen at URL: <https://radiologykey.com/tools-of-the-trade/> (Year: 2022).*

U.S. Appl. No. 29/752,211, filed Sep. 25, 2020, Terumo Kabushiki Kaisha.

U.S. Appl. No. 29/752,223, filed Sep. 25, 2020, Terumo Kabushiki Kaisha.

U.S. Appl. No. 29/752,218, filed Sep. 25, 2020, Terumo Kabushiki Kaisha.

U.S. Appl. No. 29/752,208, filed Sep. 25, 2020, Terumo Kabushiki Kaisha.

U.S. Appl. No. 29/752,201, filed Sep. 25, 2020, Terumo Kabushiki Kaisha.

U.S. Appl. No. 29/752,220, filed Sep. 25, 2020, Terumo Kabushiki Kaisha.

U.S. Appl. No. 29/752,215, filed Sep. 25, 2020, Terumo Kabushiki Kaisha.

Office Action dated Dec. 1, 2020 (Japanese Design Application No. 2020-006818).

Office Action dated Dec. 1, 2020 (Japanese Design Application No. 2020-006820).

Office Action dated Dec. 1, 2020 (Japanese Design Application No. 2020-009538).

Office Action dated Dec. 1, 2020 (Japanese Design Application No. 2020-009539).

Office Action dated Dec. 1, 2020 (Japanese Design Application No. 2020-009540).

Francesco Burzotta “Diagnostic and Guide Catheter Choices and Manipulation from the Radial Artery for Native and Graft Vessels”, Design of catheter tip listed as “BARBEAU” in f-201111 <URL:<https://www.slideshare.net/theradialist/burzotta>> Jan. 6, 2012 (With Partial Translation).

Francesco Burzotta “Diagnostic and Guide Catheter Choices and Manipulation from the Radial Artery for Native and Graft Vessels”, Design of catheter tip listed as “JACKY” in f-201111 <URL:<https://www.slideshare.net/theradialist/burzotta>> Jan. 6, 2012 (With Partial Translation).

Guido Sandulli “Merit Medical—Merit Medical’s Concierge Guiding Catheter Now Available in Radial-Specific Shapes”, Design of the lowest catheter tip as described in <URL:<https://www.merit.com/articles/merit-medicals-concierge-guiding-catheter-now-available-in-radial-specific-forms/>> Mar. 24, 2015 (With Partial Translation).

Guido Sandulli “Merit Medical—Merit Medical’s Concierge Guiding Catheter Now Available in Radial-Specific Shapes”, Design of the second lowest catheter tip as described in <URL:<https://www.merit.com/articles/merit-medicals-concierge-guiding-catheter-now-available-in-radial-specific-forms/>> Mar. 24, 2015 (With Partial Translation).

Office Action dated Feb. 2, 2021 (Japanese Design Application No. 2020-009539).

* cited by examiner

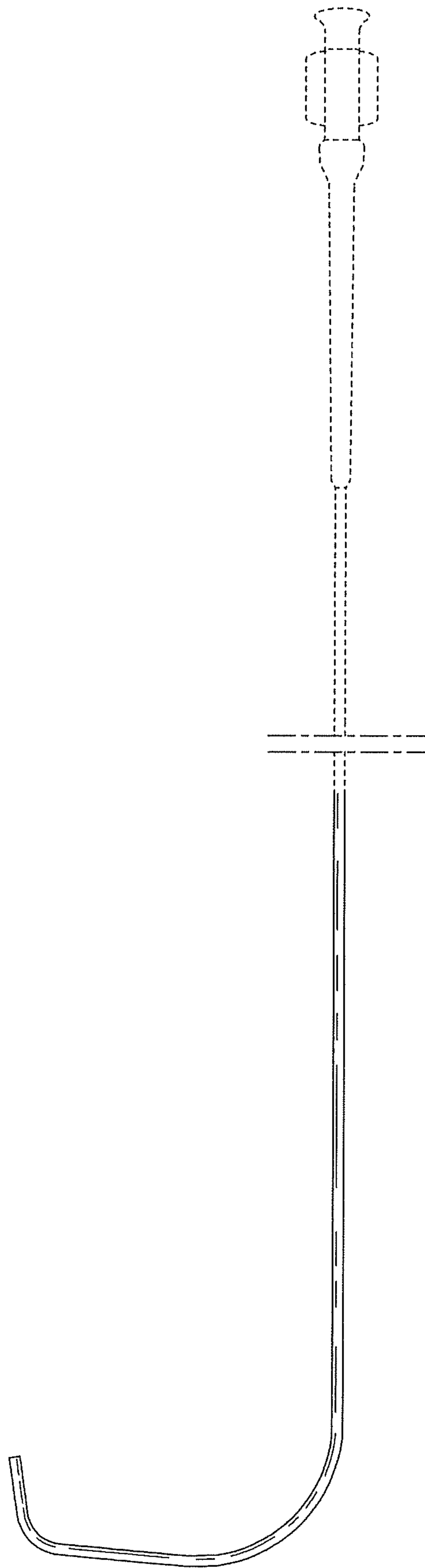


Fig. 1

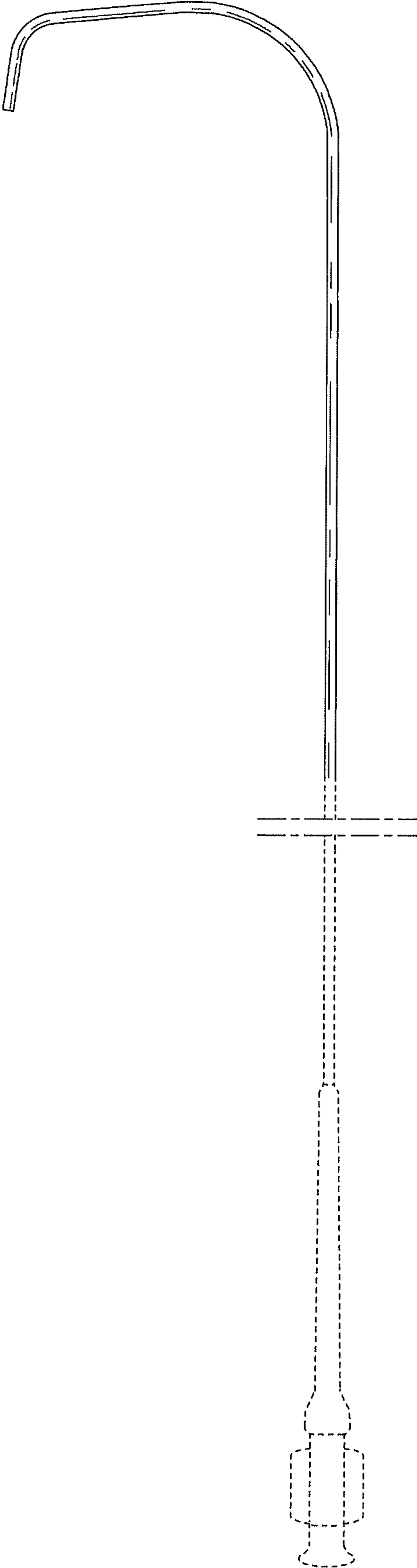


Fig. 2

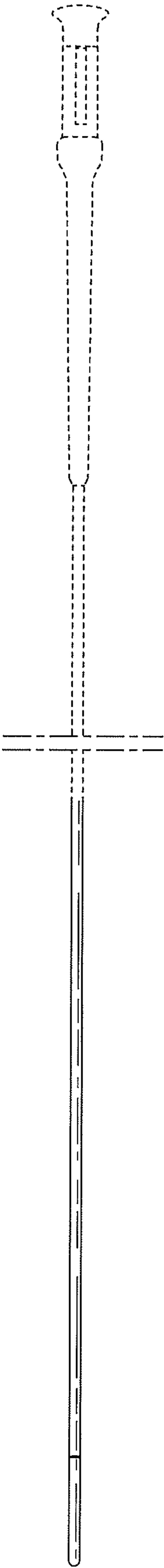


Fig. 3

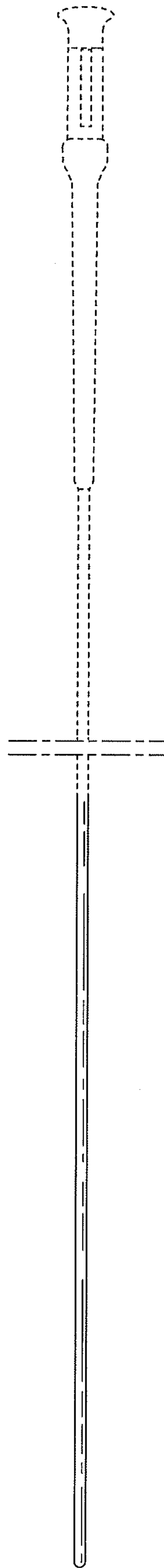


Fig. 4

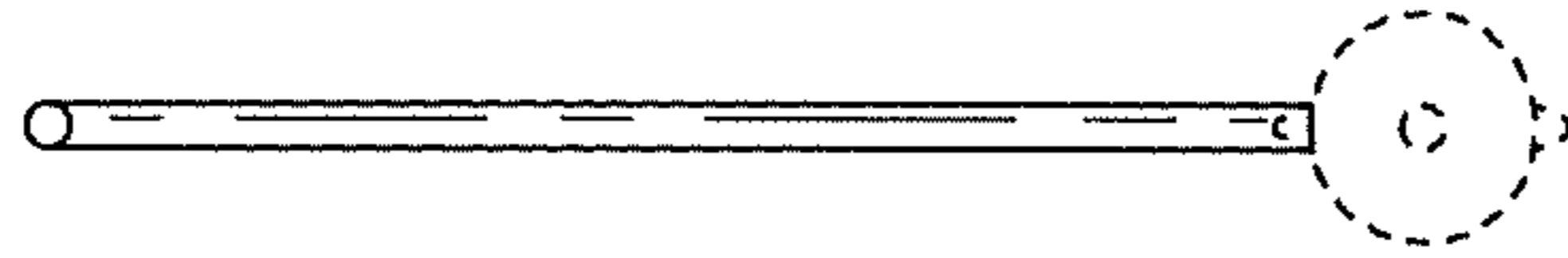


Fig. 6

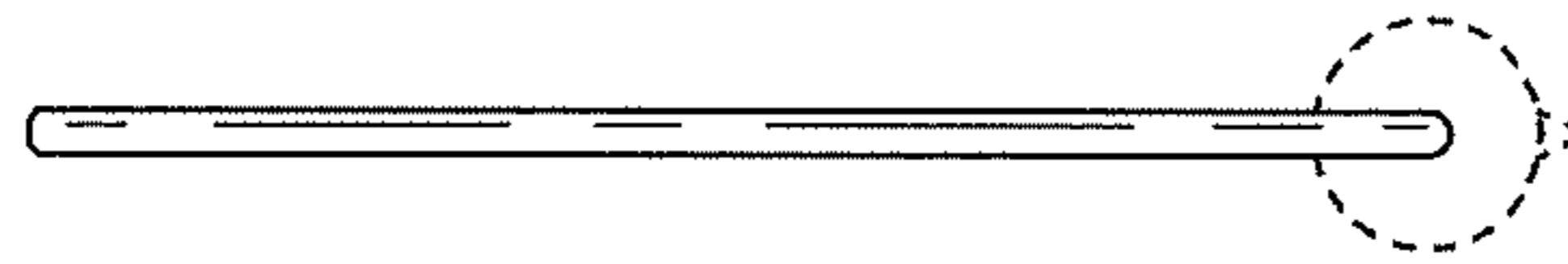


Fig. 5

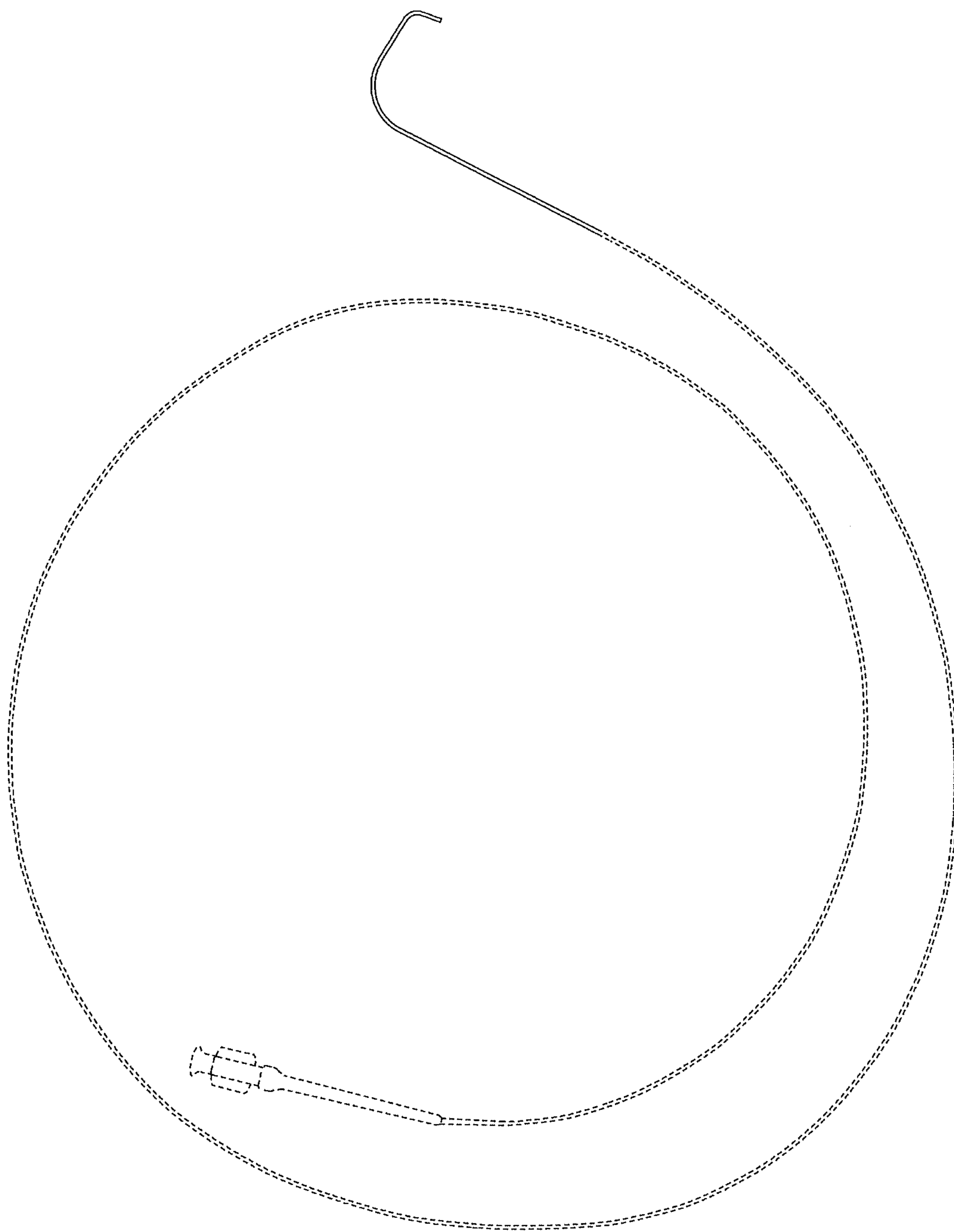


Fig. 7