



US00D958347S

(12) **United States Design Patent**
Ono

(10) **Patent No.:** **US D958,347 S**

(45) **Date of Patent:** **** Jul. 19, 2022**

(54) **OPERATING GRIP FOR ENDOSCOPE**

(71) Applicant: **FUJIFILM Corporation**, Tokyo (JP)

(72) Inventor: **Hirotohi Ono**, Kanagawa (JP)

(73) Assignee: **FUJIFILM Corporation**, Tokyo (JP)

(**) Term: **15 Years**

(21) Appl. No.: **29/764,348**

(22) Filed: **Dec. 29, 2020**

(30) **Foreign Application Priority Data**

Jun. 30, 2020 (JP) 2020-013311 D

(51) **LOC (13) Cl.** **24-02**

(52) **U.S. Cl.**
USPC **D24/138**

(58) **Field of Classification Search**

USPC D24/138, 137, 127, 113, 108, 133

CPC A61M 25/00; A61M 39/00; A61M 27/00;

A61M 25/0043; A61M 25/0067; A61M

25/0097; A61F 2/958; A61B 1/00126

See application file for complete search history.

(56) **References Cited**

U.S. PATENT DOCUMENTS

D481,124 S *	10/2003	Hayamizu	D24/138
D535,393 S *	1/2007	Pilvisto	D16/202
D753,298 S *	4/2016	Hayamizu	D24/138
D753,823 S *	4/2016	Hayamizu	D24/138
D871,574 S *	12/2019	Lohk	D24/138
D871,576 S *	12/2019	Lohk	D24/138
D872,261 S *	1/2020	Funakoshi	D24/138
D886,999 S *	6/2020	Lohk	D24/138
D888,237 S *	6/2020	Lohk	D24/138
2019/0038232 A1 *	2/2019	Mirza	A61B 1/00041

2020/0121164 A1* 4/2020 Jurevicius A61B 1/00039

* cited by examiner

Primary Examiner — Manpreet S Matharu

Assistant Examiner — Yolanda Robinson

(74) *Attorney, Agent, or Firm* — JCIPRNET

(57) **CLAIM**

The ornamental design for an operating grip for endoscope, as shown and described.

DESCRIPTION

FIG. 1 is a top, front and left side perspective view of an operating grip for endoscope showing my new design;

FIG. 2 is a top, rear and left side perspective view thereof;

FIG. 3 is a top, front and right side perspective view thereof;

FIG. 4 is a bottom, front and left side perspective view thereof;

FIG. 5 is a front elevational view thereof;

FIG. 6 is a rear elevational view thereof;

FIG. 7 is a top plan view thereof;

FIG. 8 is a bottom plan view thereof;

FIG. 9 is a left side elevational view thereof;

FIG. 10 is a right side elevational view thereof;

FIG. 11 is a cross-sectional view thereof taken along line C-C of FIG. 7, in which an internal structure thereof is not shown;

FIG. 12 is a cross-sectional view thereof taken along line D-D of FIG. 7, in which an internal structure thereof is not shown;

FIG. 13 is a cross-sectional view thereof taken along line E-E of FIG. 7, in which an internal structure thereof is not shown; and,

FIG. 14 is a cross-sectional view thereof taken along line F-F of FIG. 7, in which an internal structure thereof is not shown.

1 Claim, 14 Drawing Sheets

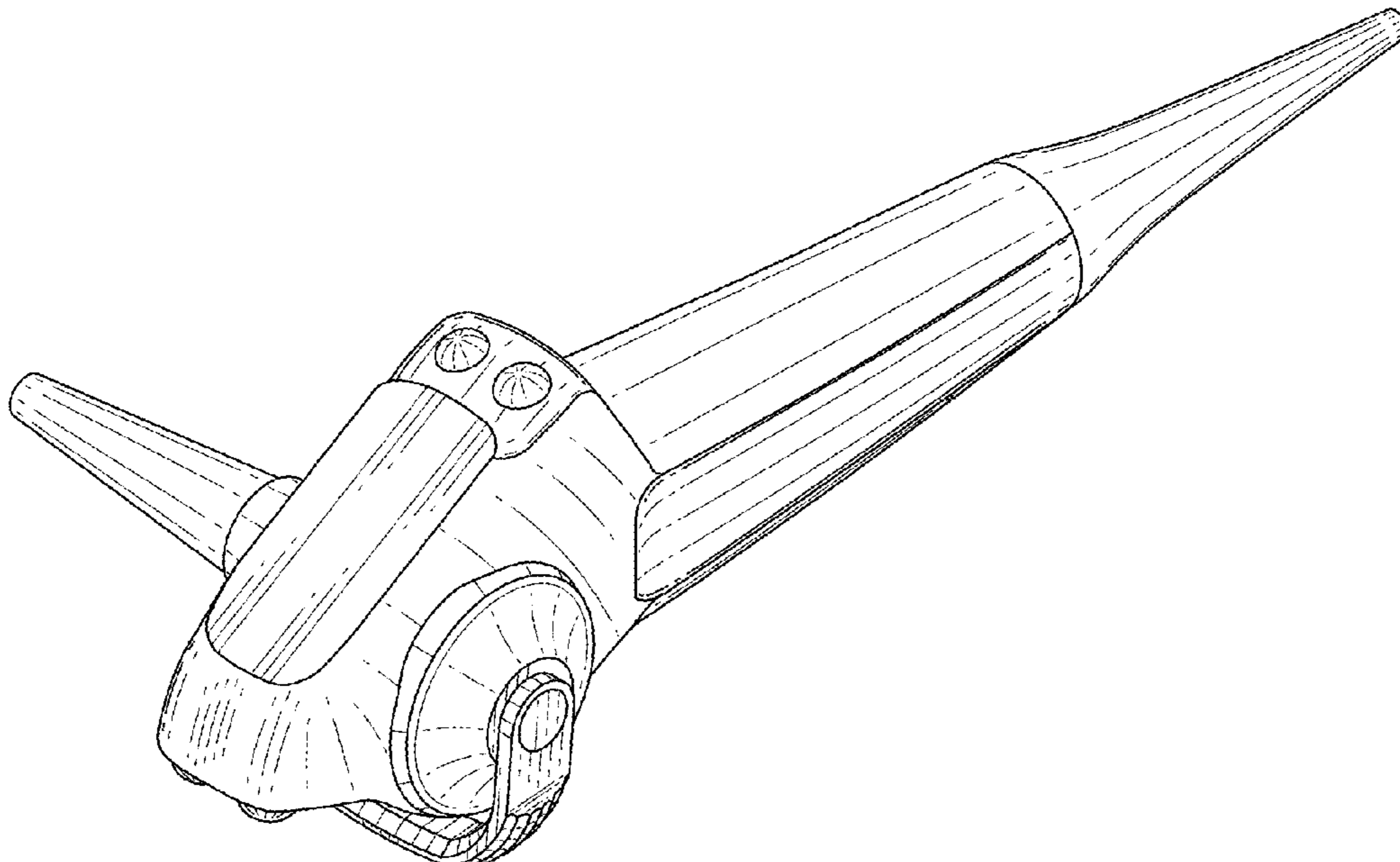


FIG. 1

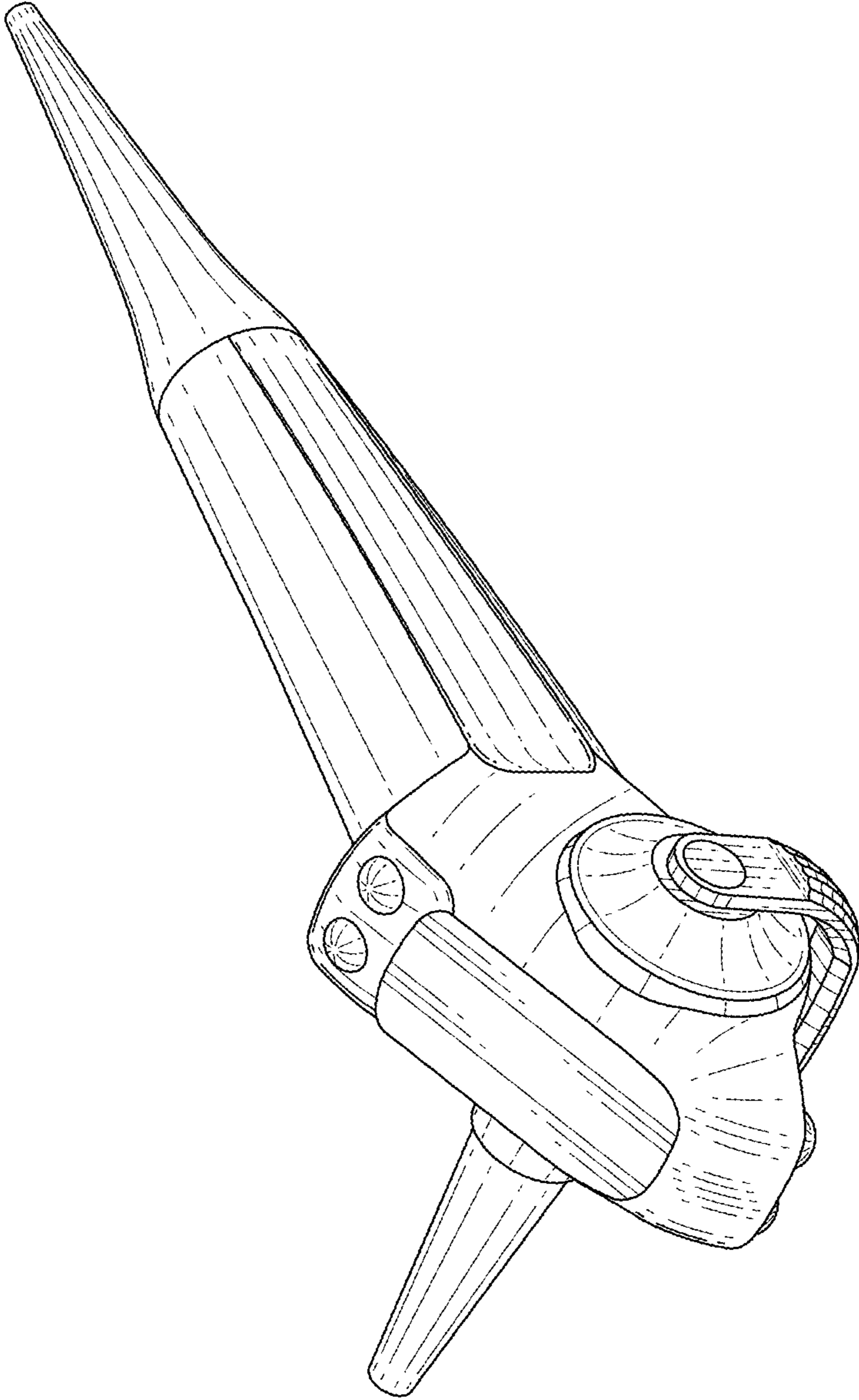


FIG.2

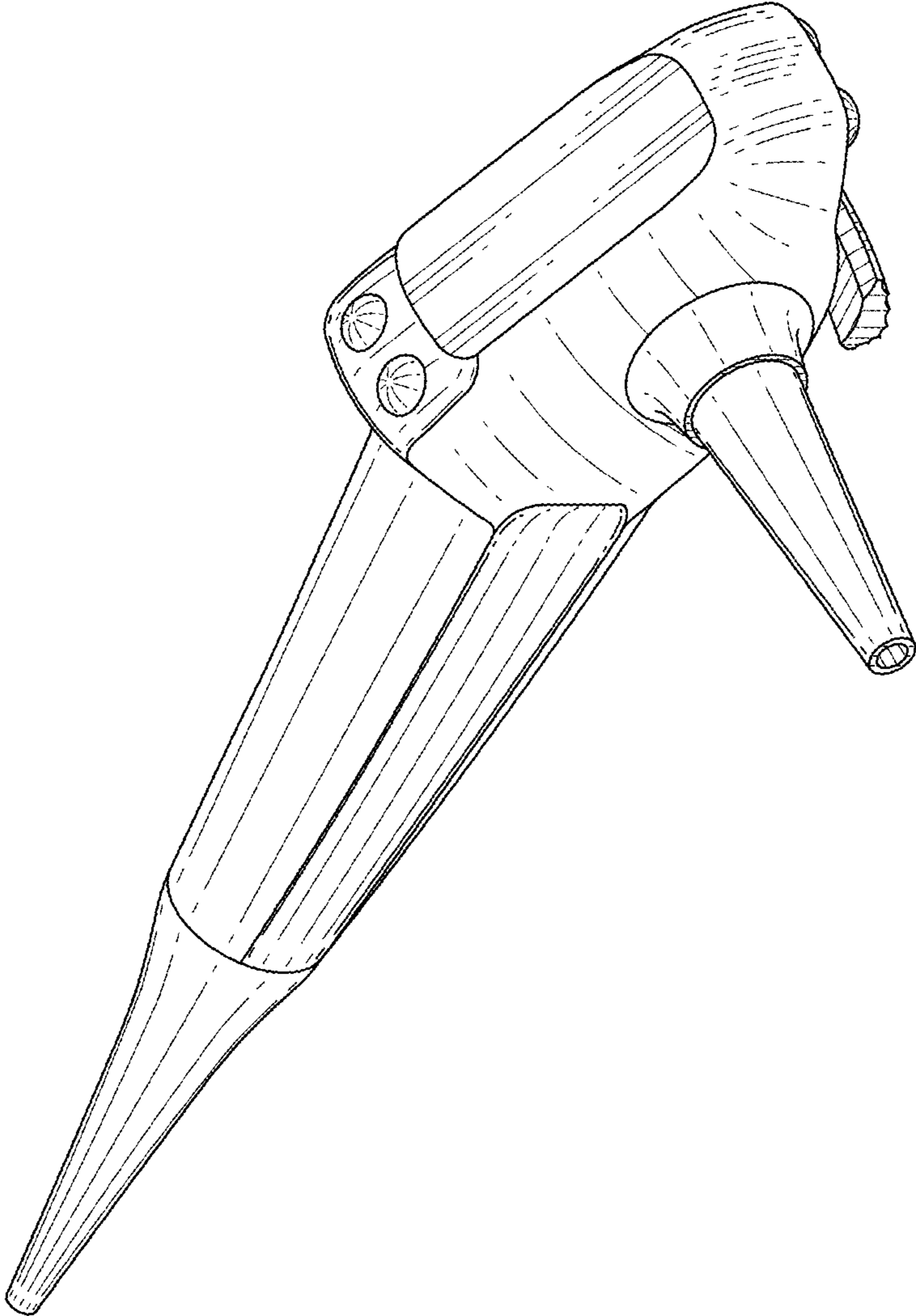


FIG. 3

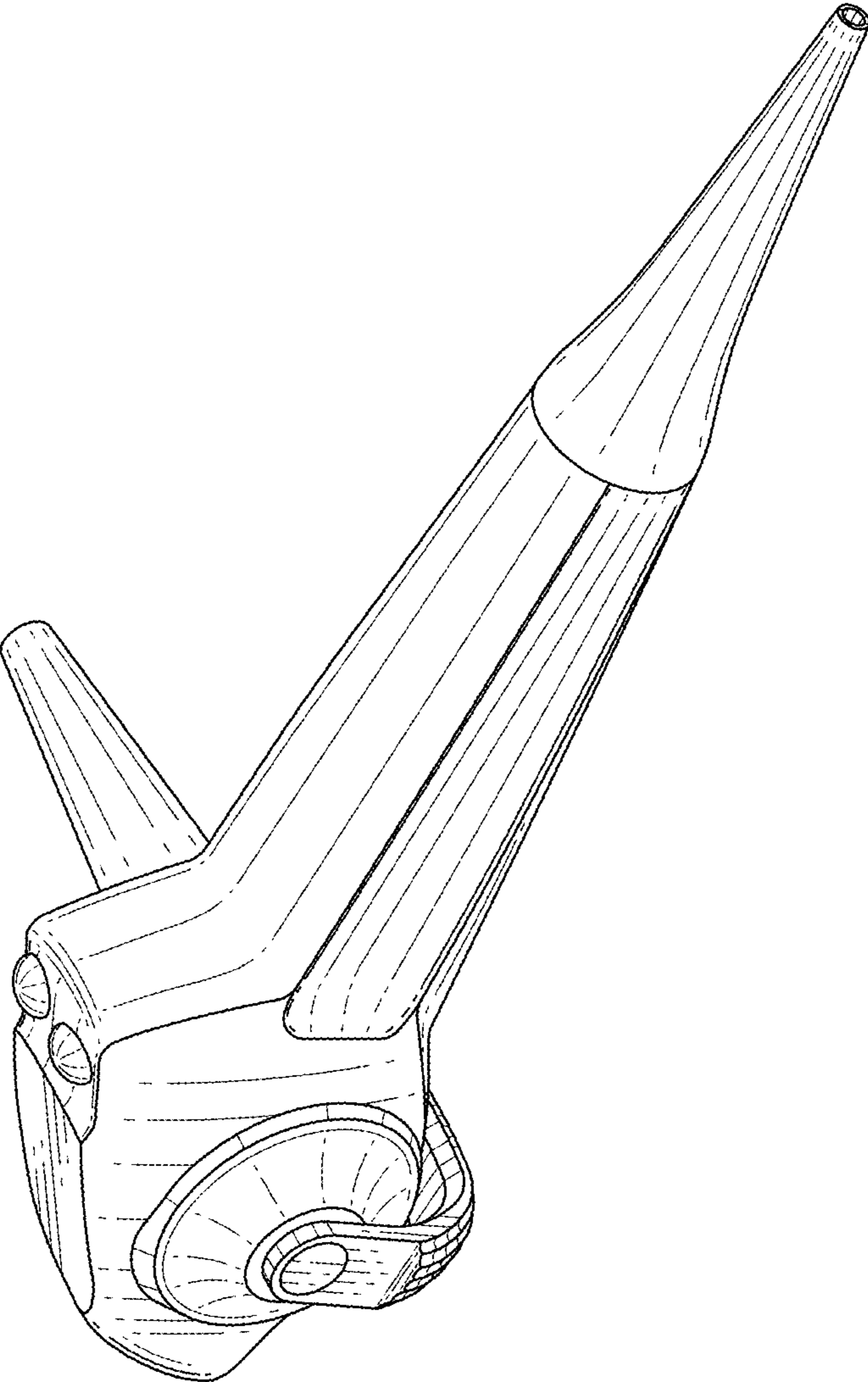


FIG. 4

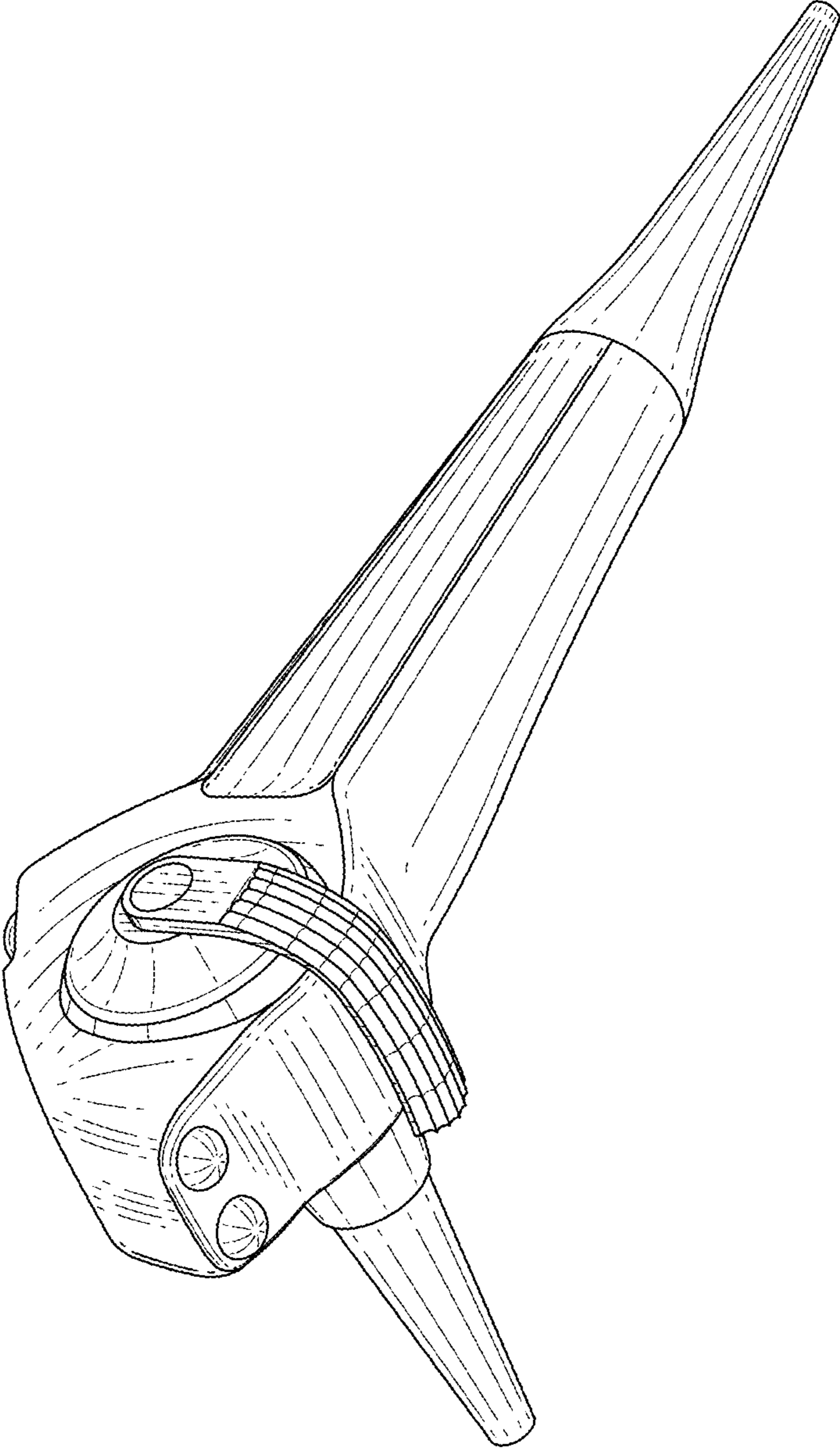


FIG. 5

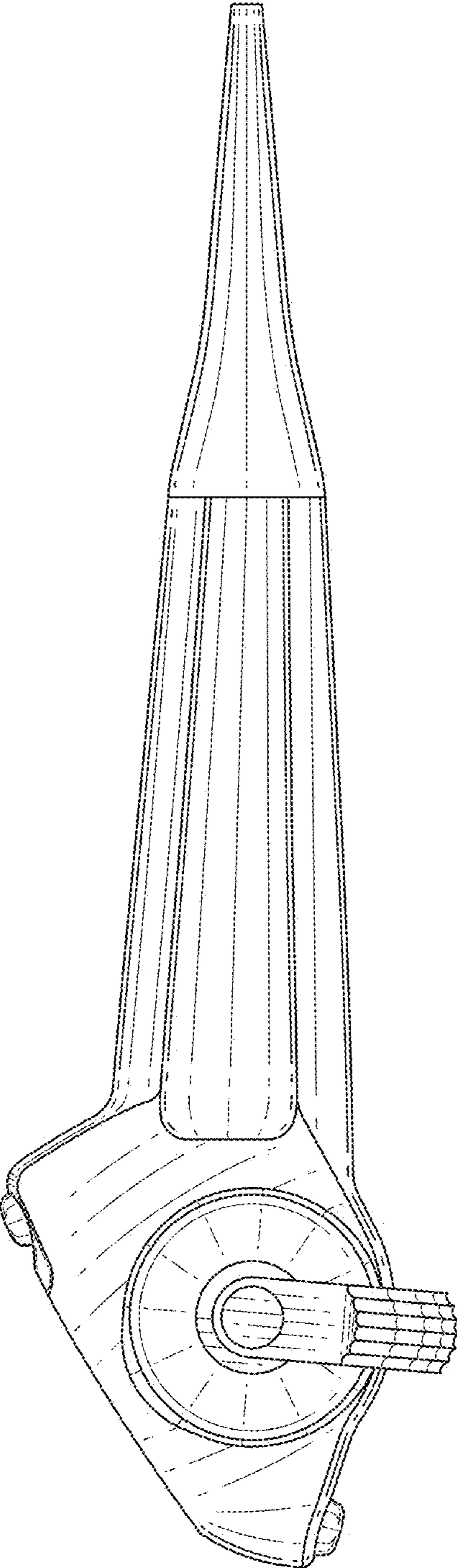


FIG. 6

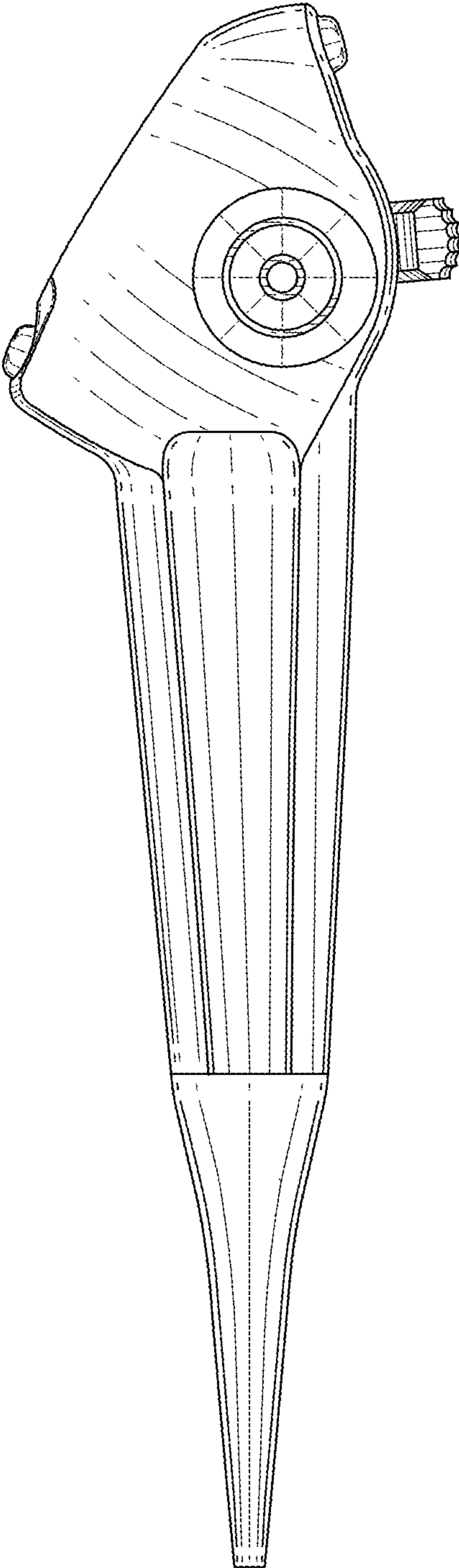


FIG. 7

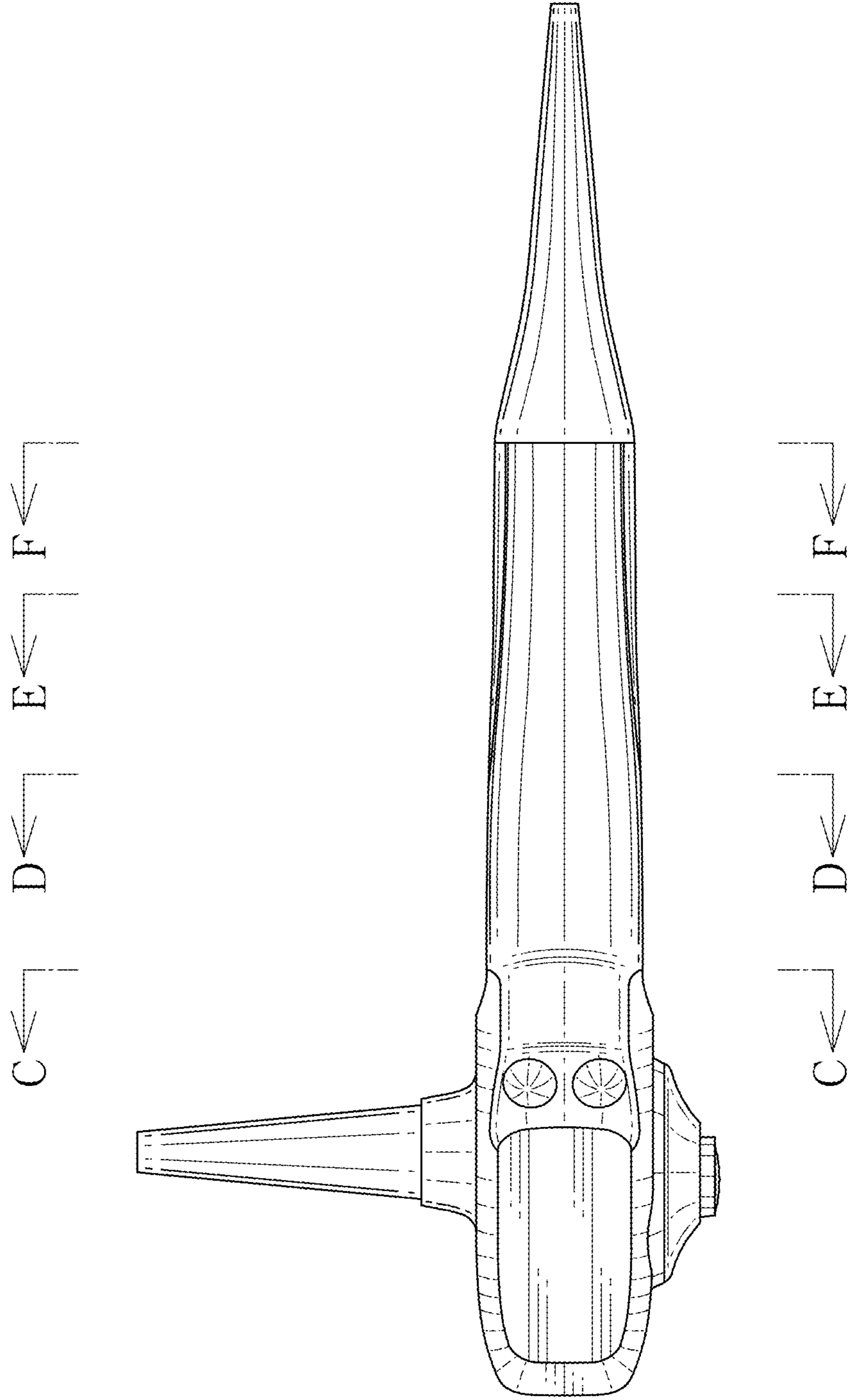


FIG. 8

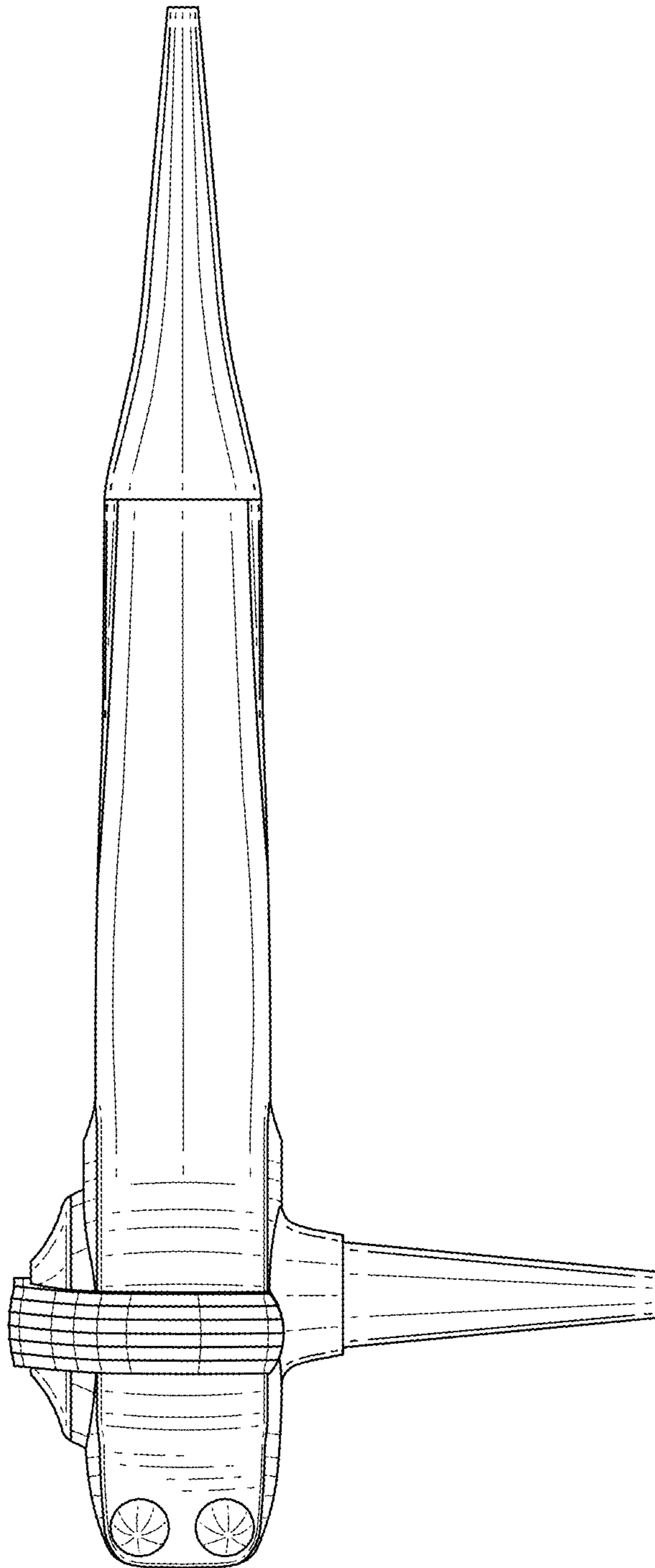


FIG.9

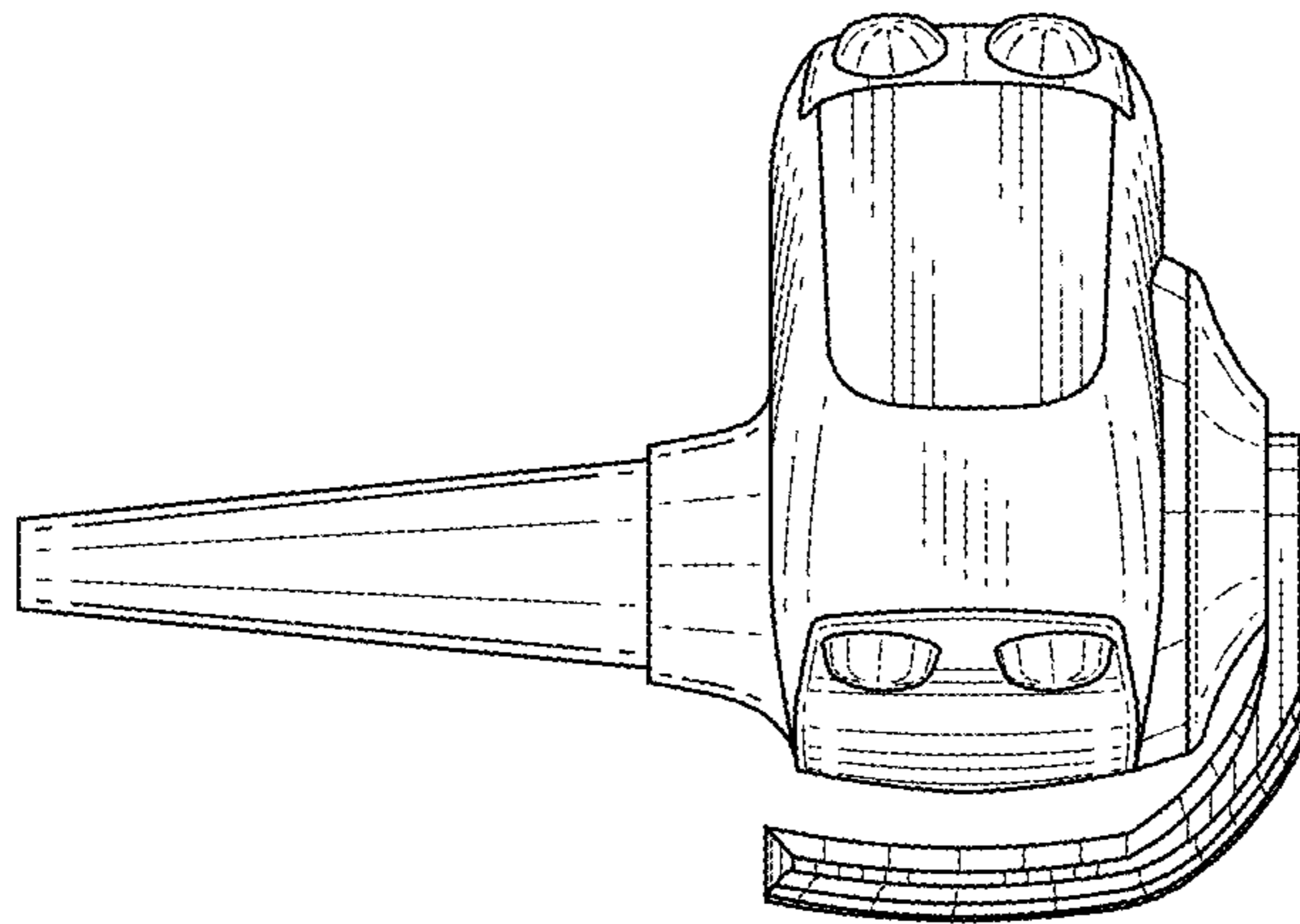


FIG. 10

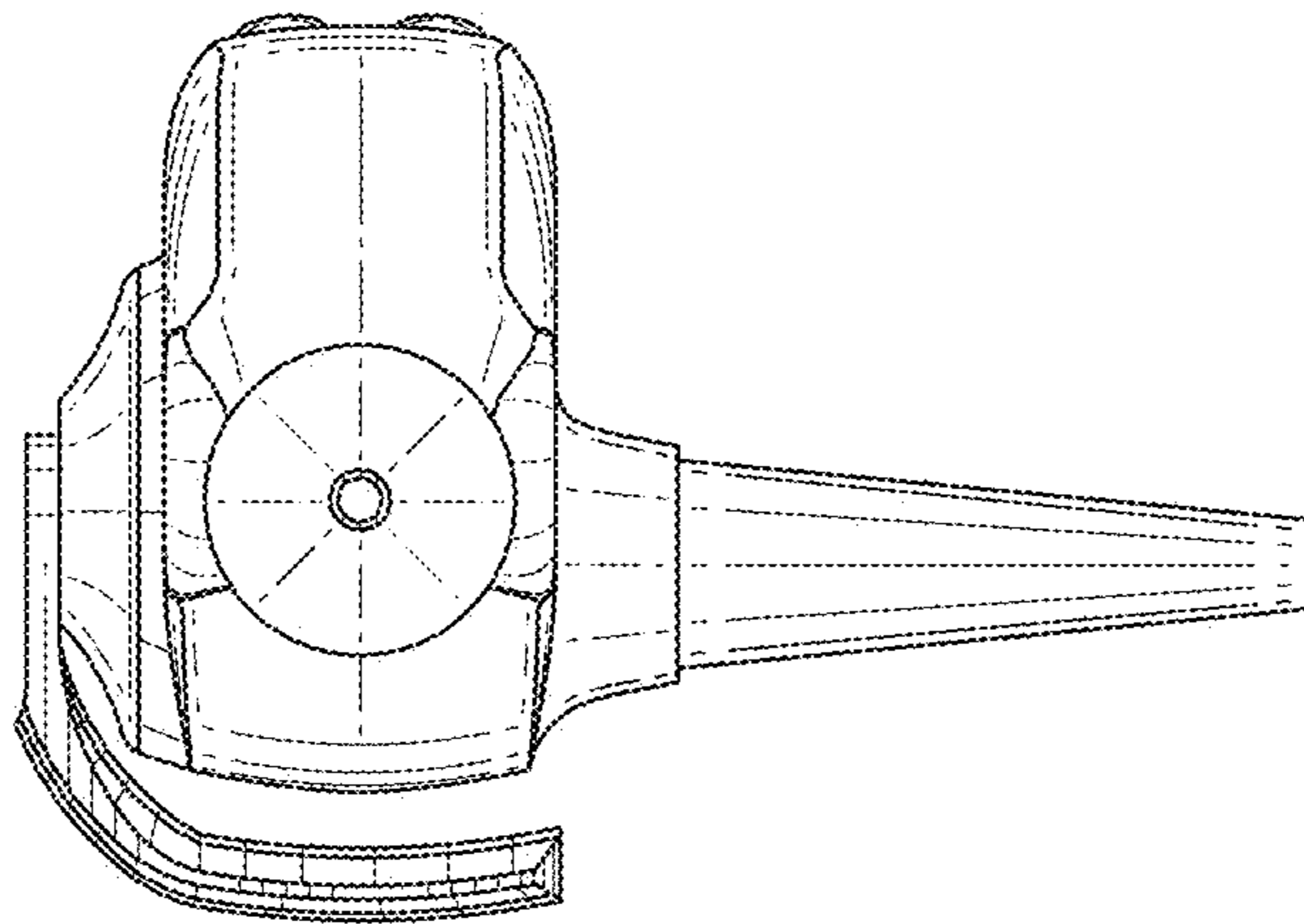


FIG. 11

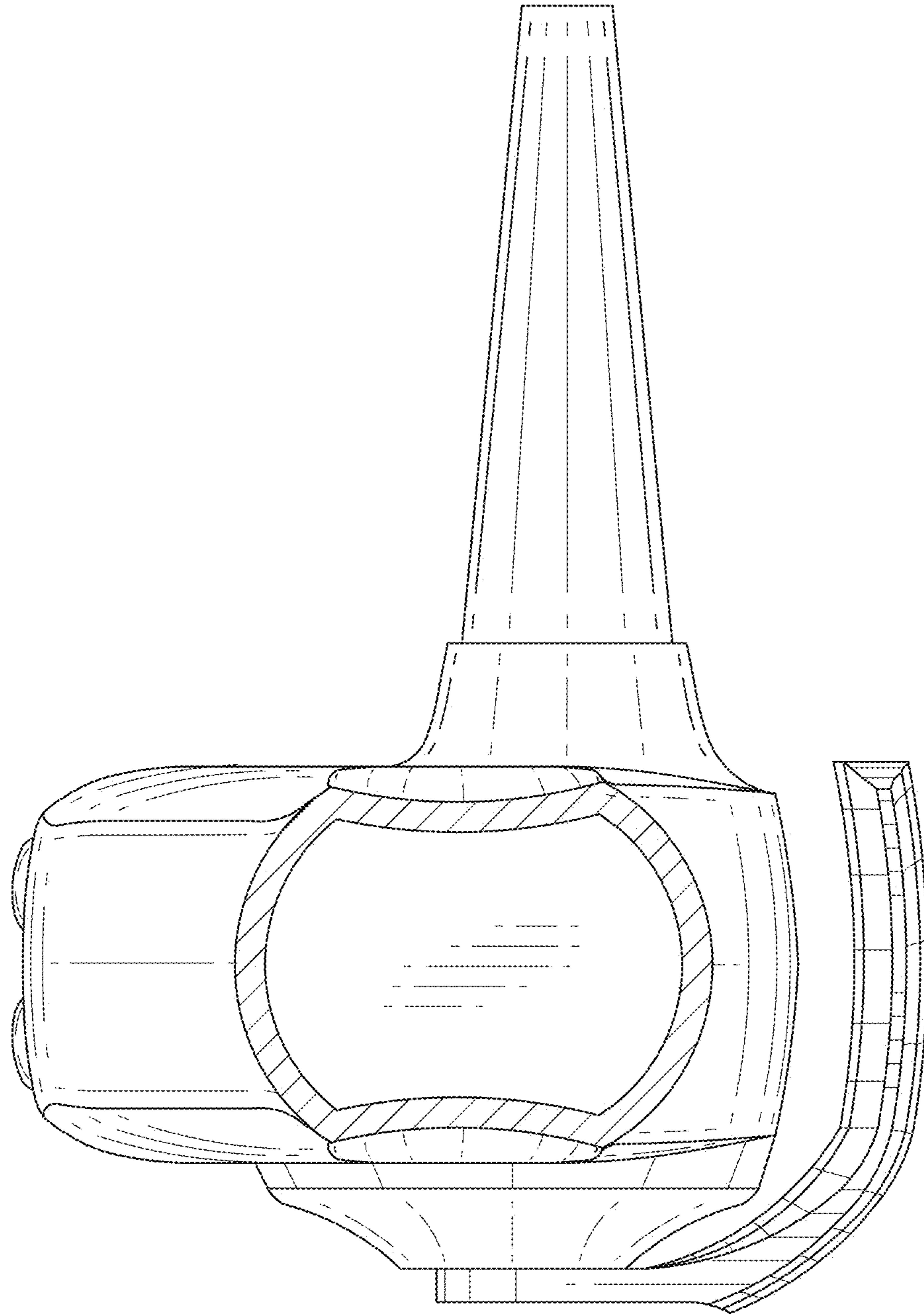


FIG.12

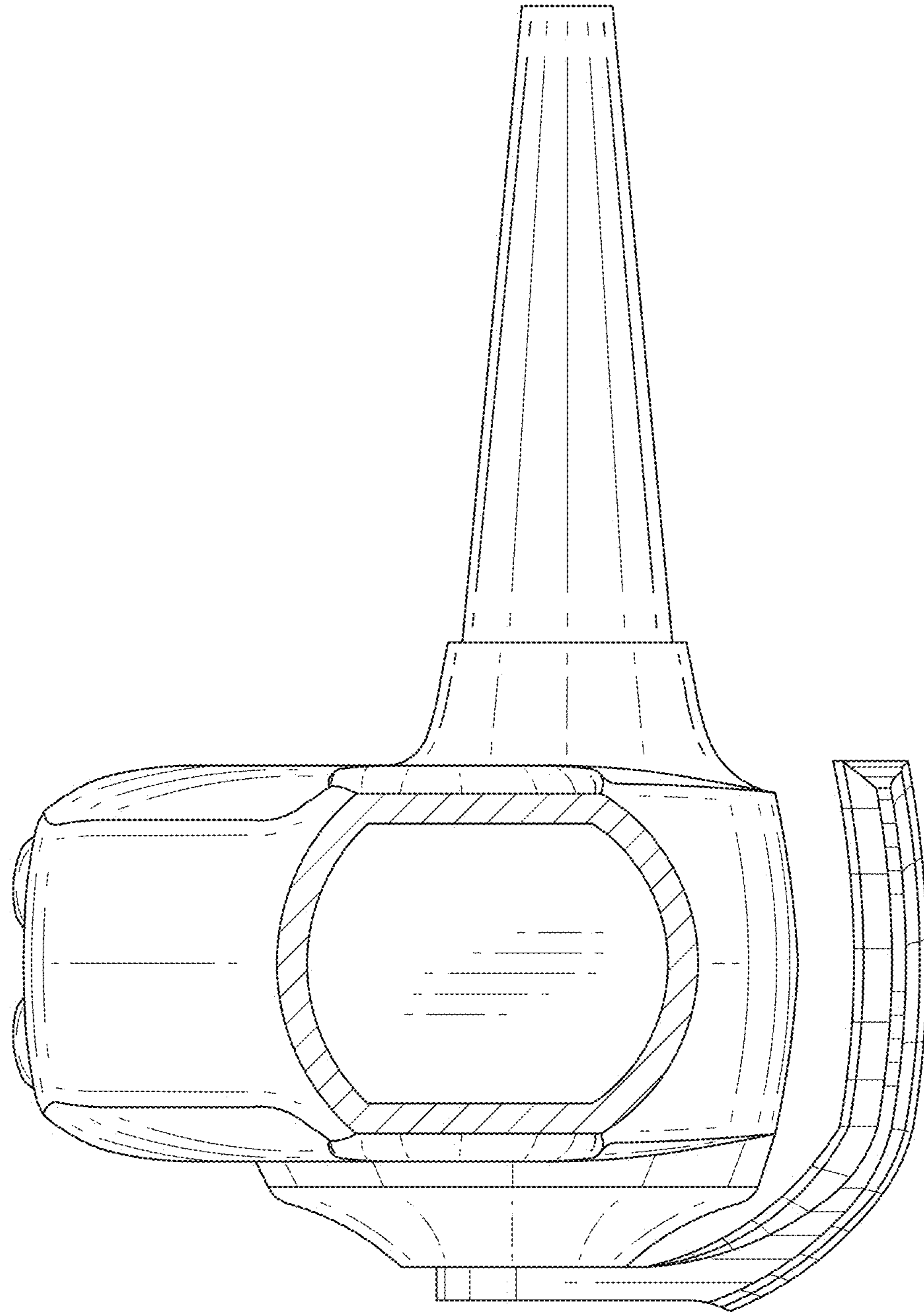


FIG. 13

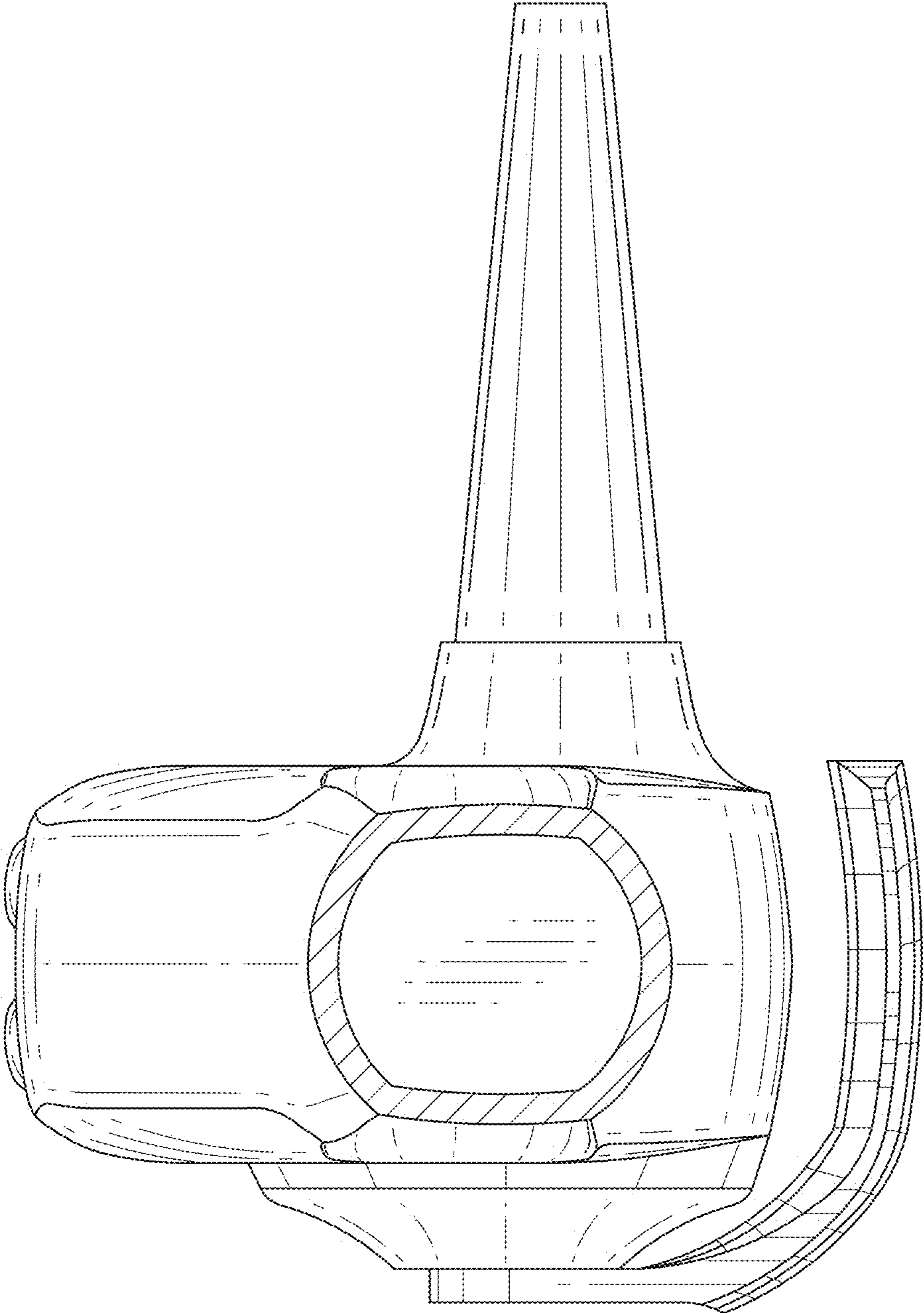


FIG. 14

