



US00D958341S

(12) **United States Design Patent** (10) **Patent No.:** **US D958,341 S**
Knieriem et al. (45) **Date of Patent:** **** Jul. 19, 2022**

(54) **MEDICAL VIEWING DEVICE**

(71) Applicant: **Welch Allyn, Inc.**, Skaneateles Falls, NY (US)
(72) Inventors: **Alan S. Knieriem**, Skaneateles Falls, NY (US); **Thaddeus J. Wawro**, Skaneateles Falls, NY (US); **Timothy R. Fitch**, Syracuse, NY (US); **Robert S. Englert**, Syracuse, NY (US); **Michael T. McMahon**, Skaneateles Falls, NY (US); **David Perkins**, Tully, NY (US)

(73) Assignee: **WELCH ALLYN, INC.**, Skaneateles Falls, NY (US)

(**) Term: **15 Years**

(21) Appl. No.: **29/759,833**

(22) Filed: **Nov. 25, 2020**

Related U.S. Application Data

(63) Continuation of application No. 29/650,401, filed on Jun. 6, 2018, now Pat. No. Des. 905,237.

(51) **LOC (13) Cl.** **24-02**

(52) **U.S. Cl.**
USPC **D24/137**

(58) **Field of Classification Search**
USPC D24/137, 138, 133
CPC A61B 1/00; A61B 1/00137; A61B 1/005; A61B 1/0014; A61B 1/0676; A61B 1/0669; A61B 1/00121; A61B 1/00133; A61B 1/00071; A61B 1/00064; A61B 1/00068; A61B 1/00112; A61B 1/0125; A61B 17/3478

See application file for complete search history.

(56) **References Cited**

U.S. PATENT DOCUMENTS

D207,372 S 4/1967 Pulos
D243,973 S 4/1977 Pulos et al.
D265,504 S 7/1982 Nash
D286,814 S 11/1986 Brainard, II
(Continued)

OTHER PUBLICATIONS

U.S. Appl. No. 29/650,401, filed Jun. 6, 2018, U.S. Pat. No. D. 905,237, Issued.

(Continued)

Primary Examiner — Eliza Z Harvey

(74) *Attorney, Agent, or Firm* — Alston & Bird LLP

(57) **CLAIM**

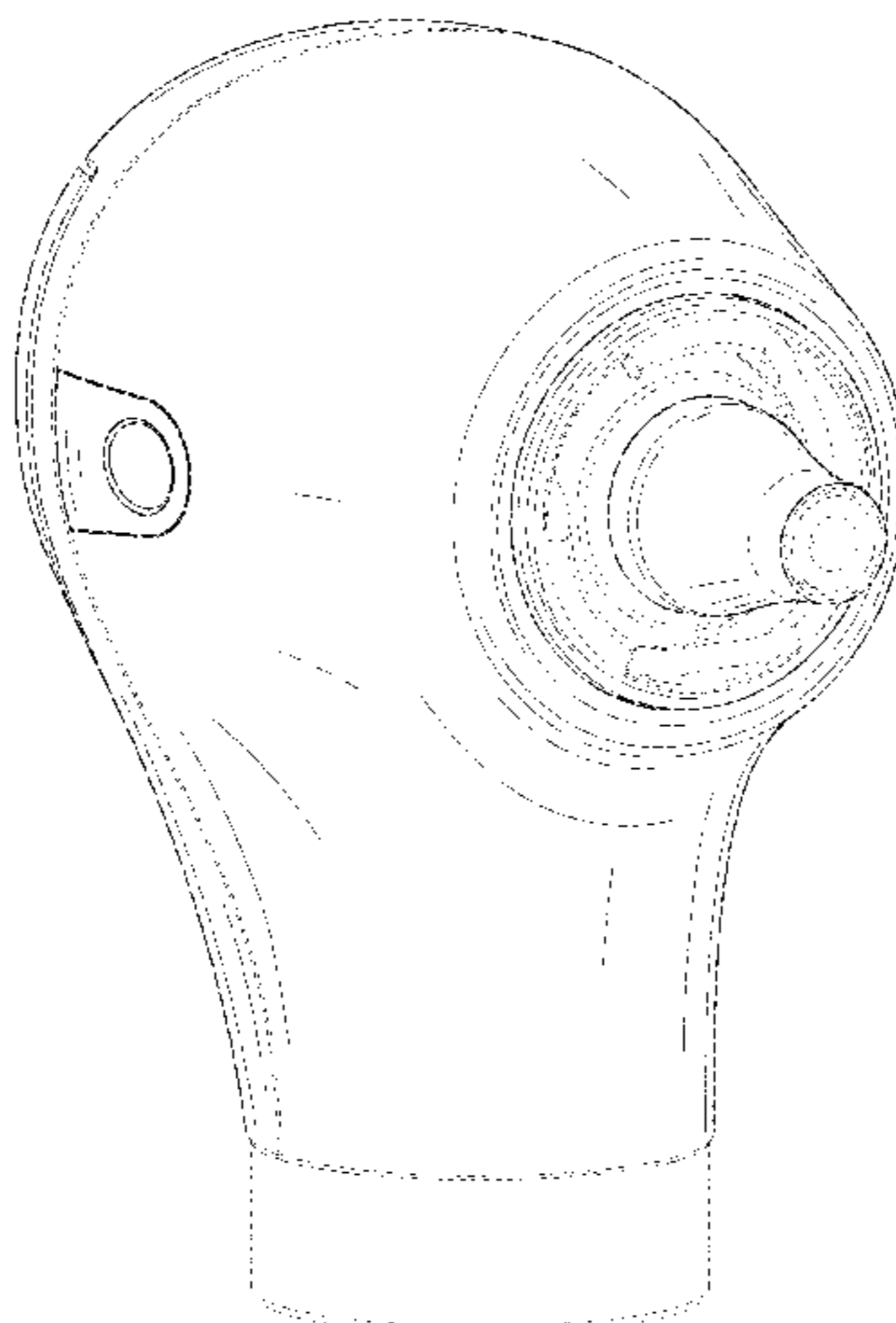
The ornamental design for a medical viewing device, as shown and described.

DESCRIPTION

FIG. 1 is a perspective view of a medical viewing device showing our new design;
FIG. 2 is another perspective view thereof;
FIG. 3 is a left side elevation view thereof;
FIG. 4 is a right side elevation view thereof;
FIG. 5 is a front elevation view thereof;
FIG. 6 is a rear elevation view thereof;
FIG. 7 is a top plan view thereof;
FIG. 8 is a bottom plan view thereof;
FIG. 9 is another perspective view thereof, shown with a handle; and,
FIG. 10 is another left side elevation view thereof, shown with the handle.

The broken lines immediately adjacent to shaded areas depict boundaries of the claim and form no part of the claimed design. The broken lines of the handles in FIGS. 9

(Continued)



and 10 illustrate environment and form no part of the claimed design. All other broken lines depict portions of the medical viewing device that form no part of the claimed design.

1 Claim, 9 Drawing Sheets

(56)

References Cited

U.S. PATENT DOCUMENTS

D288,960	S	3/1987	Riester	
D289,197	S	4/1987	Ware	
5,200,772	A	4/1993	Perkins et al.	
5,202,710	A	4/1993	Perkins	
D377,393	S	1/1997	Sams	
D379,514	S	5/1997	Laun et al.	
D423,668	S	4/2000	Coe	
D429,333	S	8/2000	Sander et al.	
6,130,520	A	10/2000	Wawro et al.	
D566,270	S	4/2008	Strom et al.	
D566,838	S	4/2008	Slawson et al.	
D594,555	S	6/2009	Hsu	
D618,794	S	6/2010	Onuma	
D619,708	S	7/2010	Ellman	
7,862,173	B1	1/2011	Ellman	
D635,257	S	3/2011	Ellman	
8,459,844	B2	6/2013	Lia et al.	
D709,191	S	7/2014	Wood et al.	
D760,388	S	6/2016	Slawson et al.	
D760,895	S	7/2016	McMahon et al.	
D776,809	S	1/2017	Vallee et al.	
D905,237	S	* 12/2020	Knieriem	D24/137
D905,238	S	* 12/2020	Englert	D24/137
D905,239	S	* 12/2020	Englert	D24/137

D905,240	S	* 12/2020	Knieriem	D24/137
D940,312	S	* 1/2022	Heine	D24/133
2004/0039251	A1	2/2004	Roberts et al.	

OTHER PUBLICATIONS

3.5 V Diagnostic Otosopes [online] [retrieved Jun. 10, 2014]. Retrieved from the Internet: <URL:http://intl.welchallyn.com/apps/products/product.jsp?id=11-ac-100-000000001141>. (2011) 1 page.

3.5 V Standard Ophthalmoscope [online] [retrieved Jun. 10, 2014]. Retrieved from the Internet: <URL:http://intel.welchallyn.com/apps/products/product.jsp?id=11-ac-100-000000001137>. (2011) 1 page.

PocketScope Ophthalmoscope [online] [retrieved Jun. 10, 2014]. Retrieved from the Internet: <URL:http://intel.welchallyn.com/apps/products/product.jsp?id=11-ac-100-000000001139>. (2011) 1 page.

PocketScope Otoloscope with Throat Illuminator [online] [retrieved Jun. 10, 2014]. Retrieved from the Internet: <URL:http://intel.welchallyn.com/apps/products/product.jsp?id=11-ac-100-000000001148>. (2011) 1 page.

Welch Allyn 2.5v PocketScope Ophthalmoscope with AA Handle (Model 12820) [online] [retrieved Jun. 10, 2014]. Retrieved from the Internet: <URL: http://www.amazon.com/Welch-allyn-PocketScope-Ophthalmoscope-Handle/dp/B002MBRHROQ/repd_sim_sbs_hpc_1?ie=UTF8&refRID=0KV7EFBWEAQ08K . . . >. (undated) 2 pages.

Welch Allyn Otoloscope/opthalmoscope Diagnostic Set MOD 95001 [online] [retrieved Jun. 10, 2014]. Retrieved from the Internet: <URL:http://www.amazon.com/Welch-Allyn-opthalmoscope-MOD95001/dp/BOOORJXUUDS/ref=pd_sxp_grid_pt_0_1>. (undated) 2 pages.

Welch Allyn PocketScope Otoloscope w/“AA” Handle and Soft Case, 1/Ea, 22821 [online] [retrieved Jun. 10, 2014]. Retrieved from the Internet: <URL:http://www.amazon.com/Welch-Allyn-PocketScope-Otoloscope-22821/dp/BOOOROJ8UW/re-pd_sim_hpc_3?ie=UTF8&refRID=13090GMJV3SHNBVAQPKS>. (undated) 2 pages.

* cited by examiner

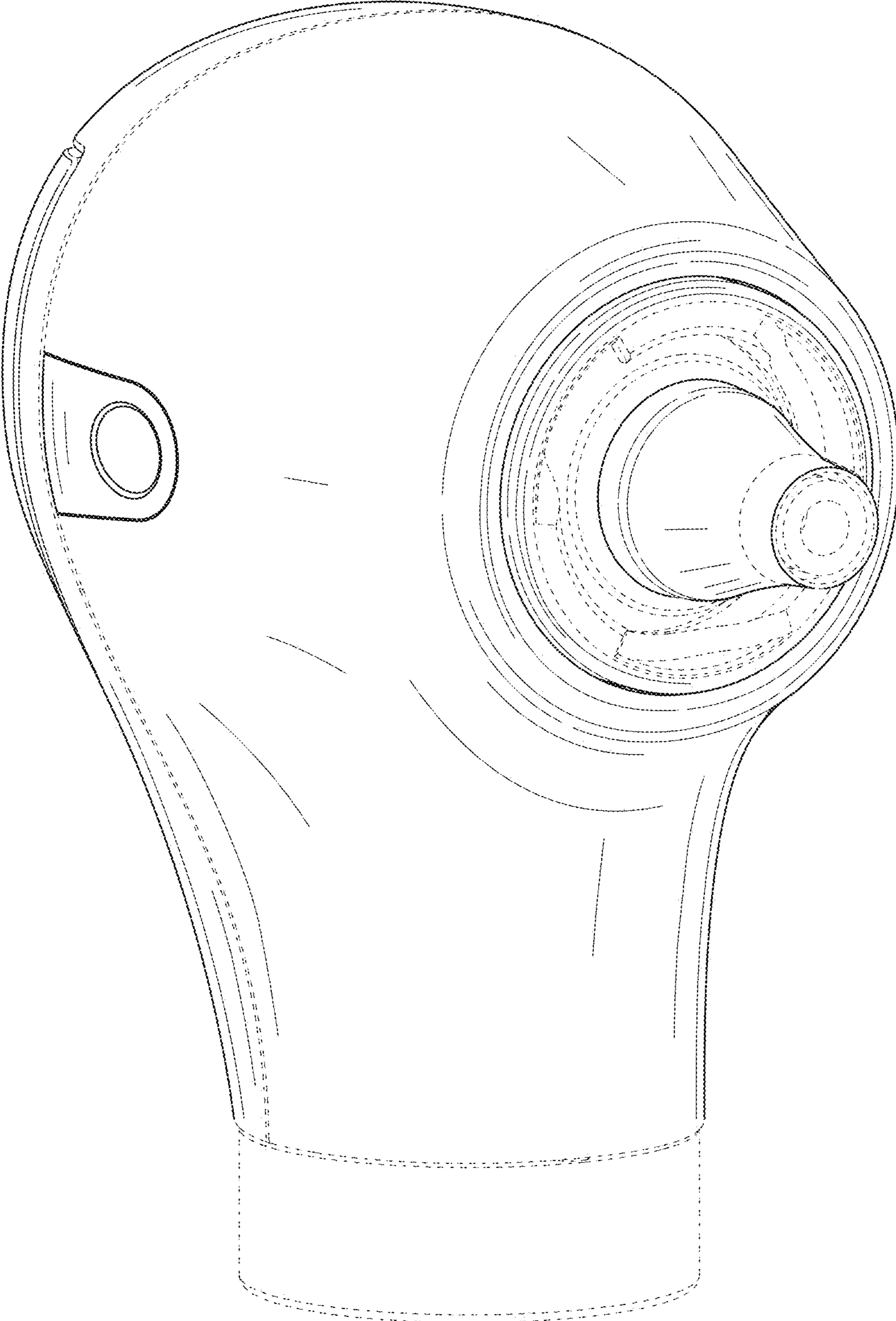


FIG. 1

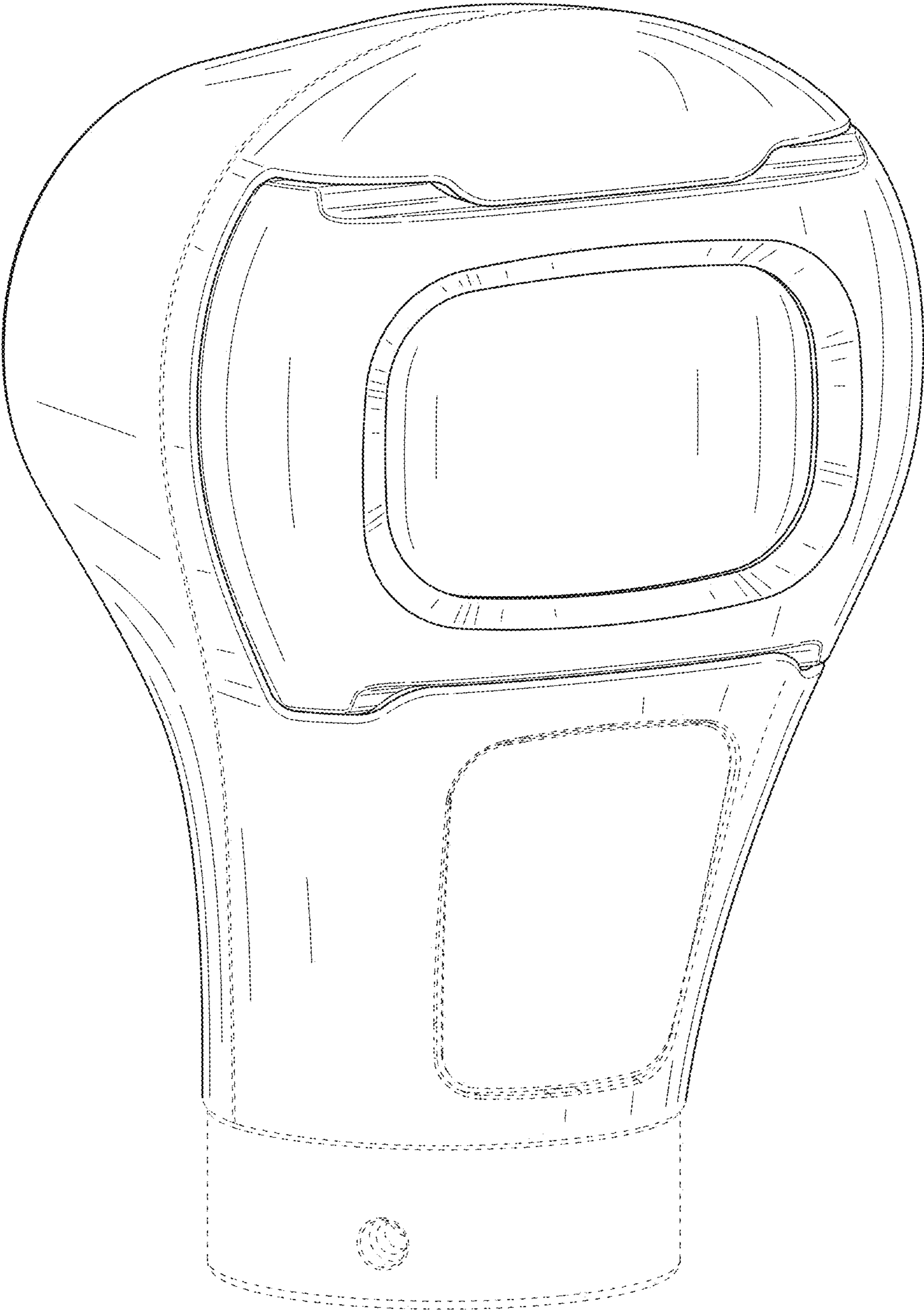


FIG. 2

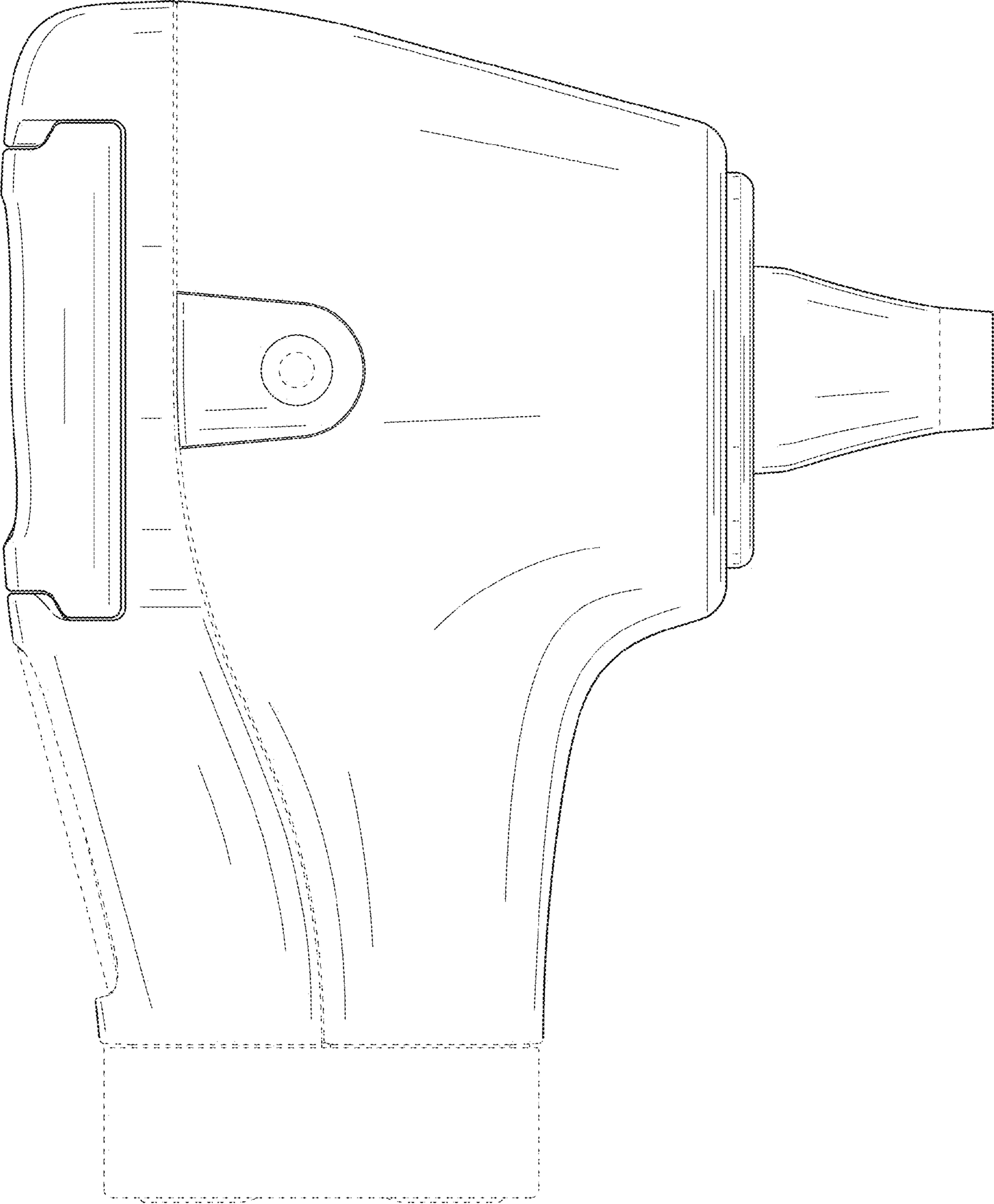


FIG. 3

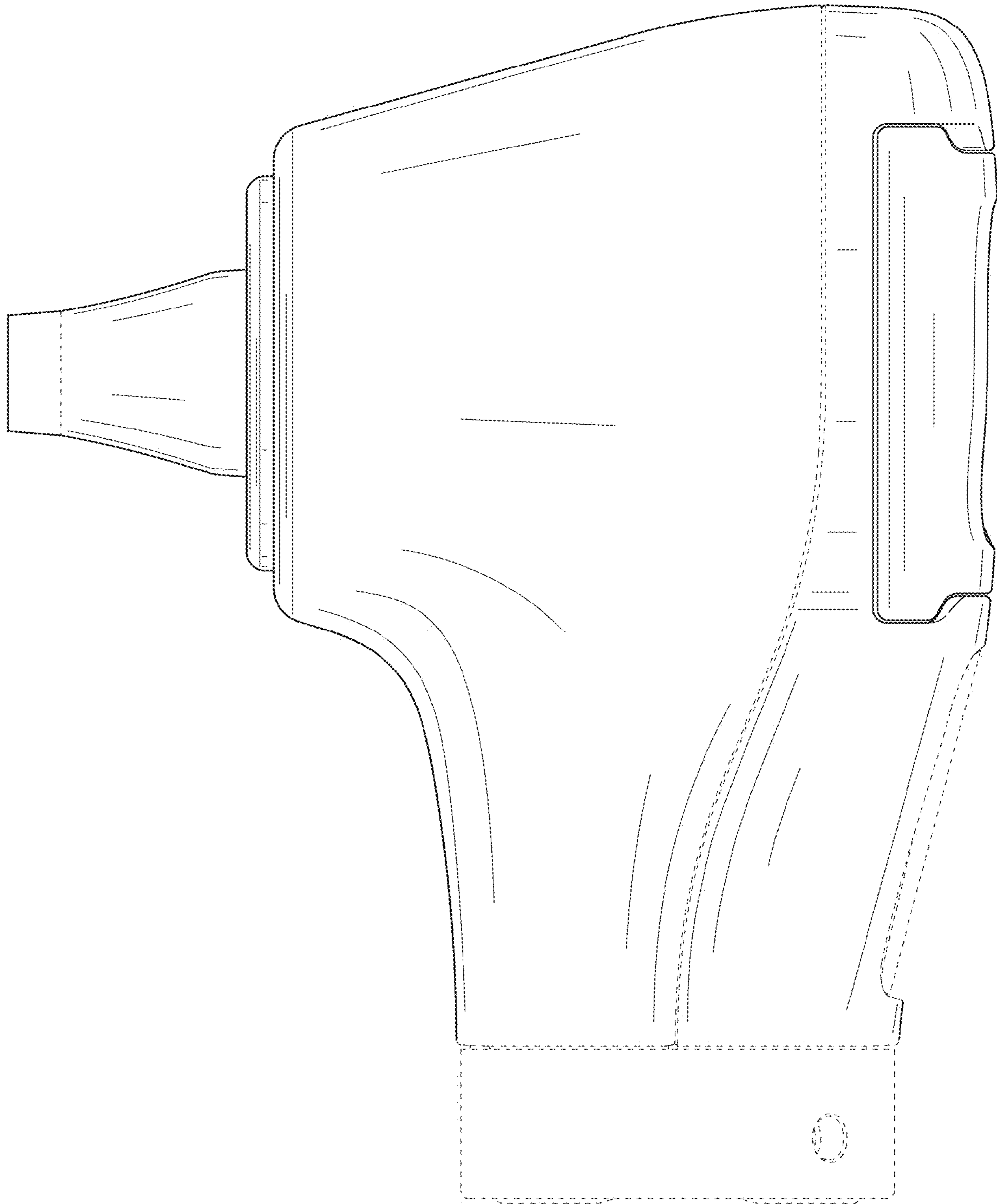


FIG. 4

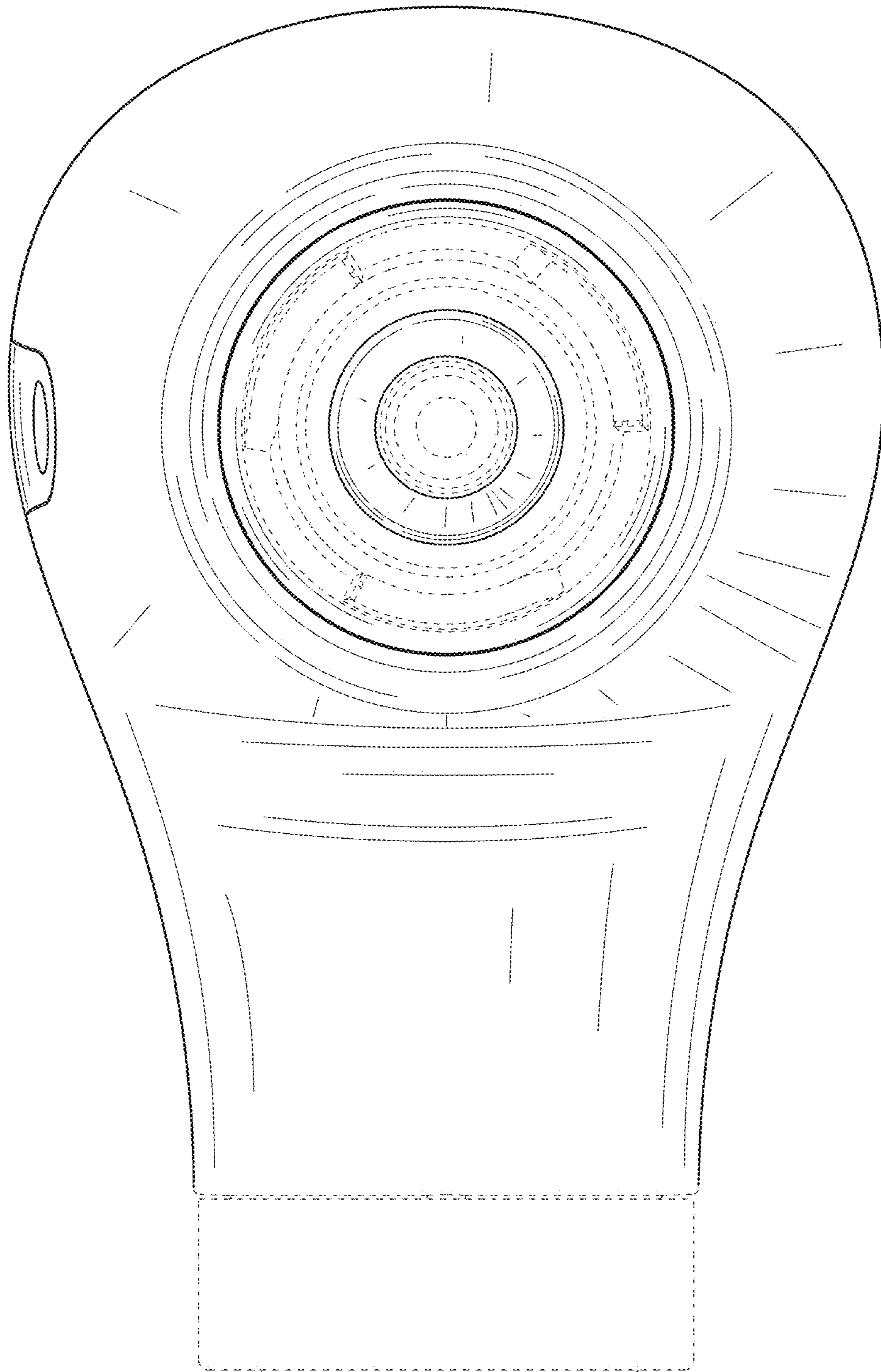


FIG. 5

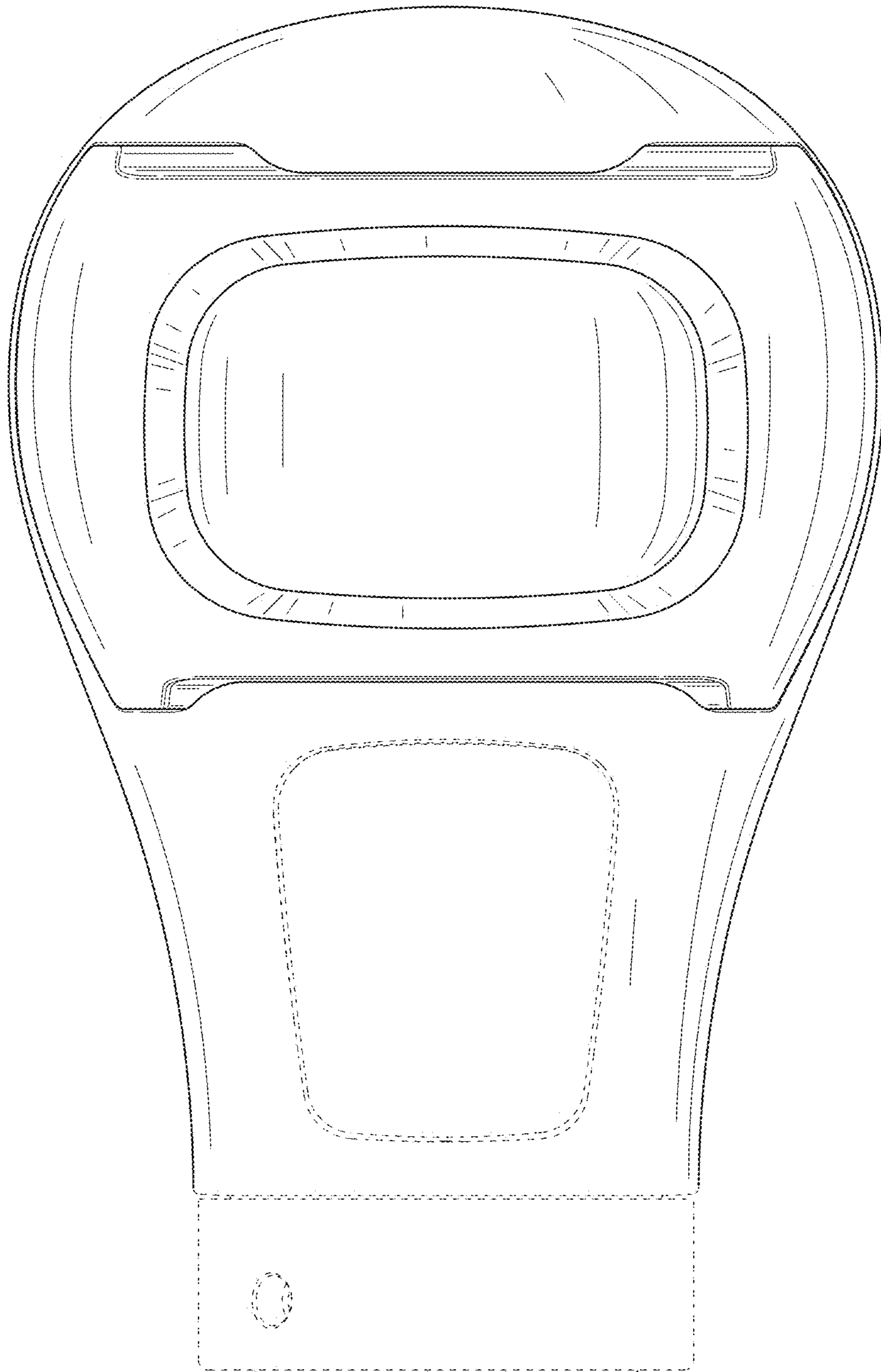


FIG. 6

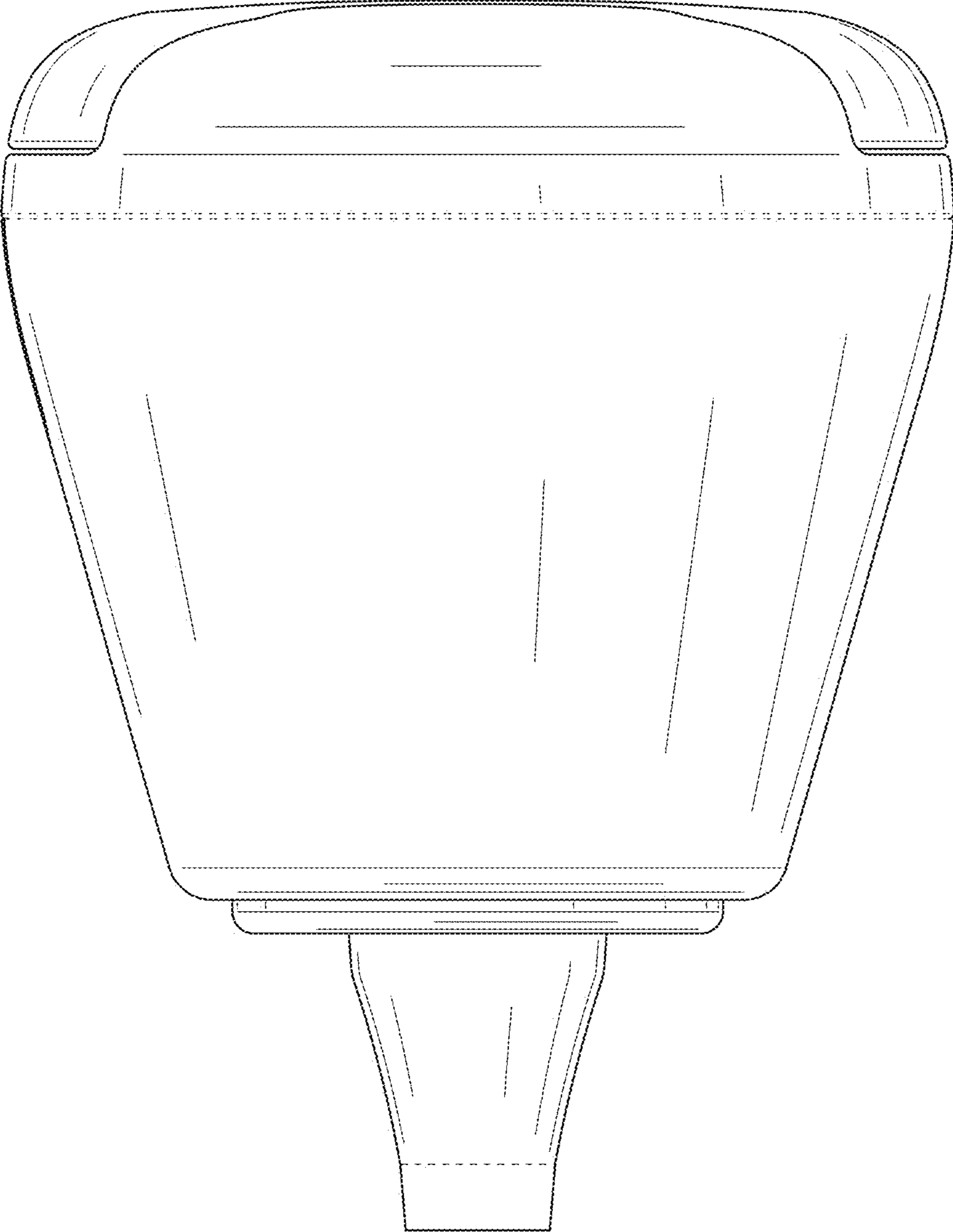


FIG. 7

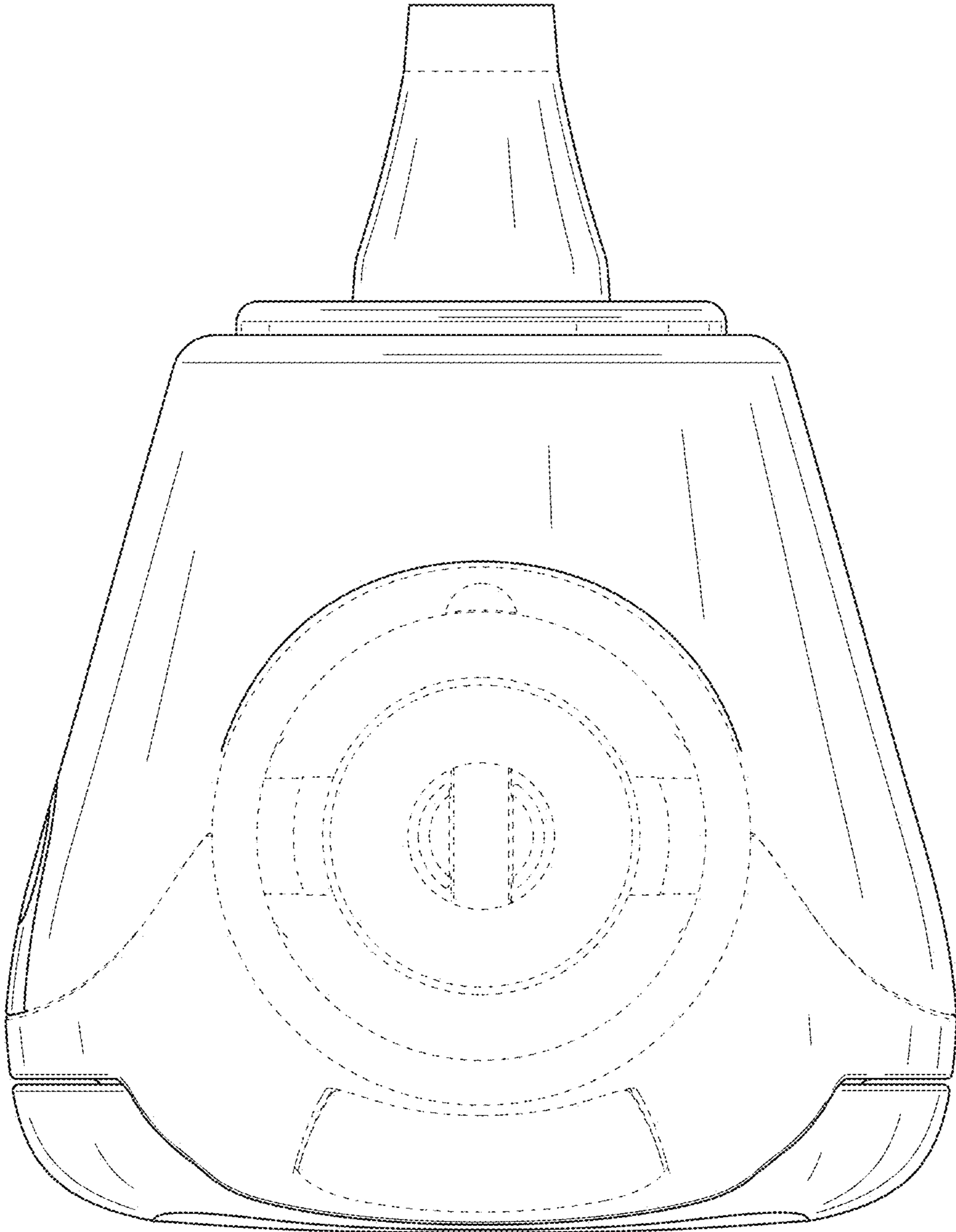


FIG. 8

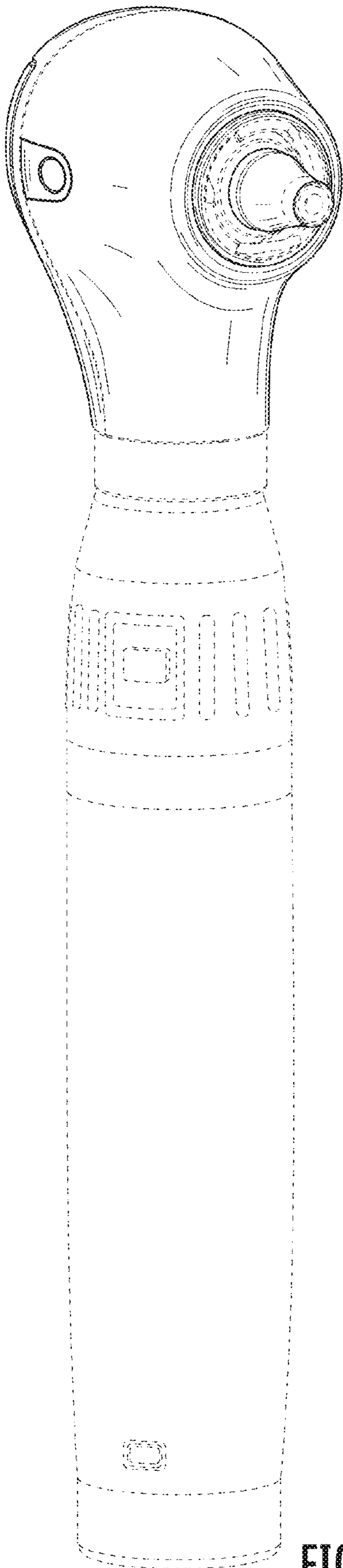


FIG. 9

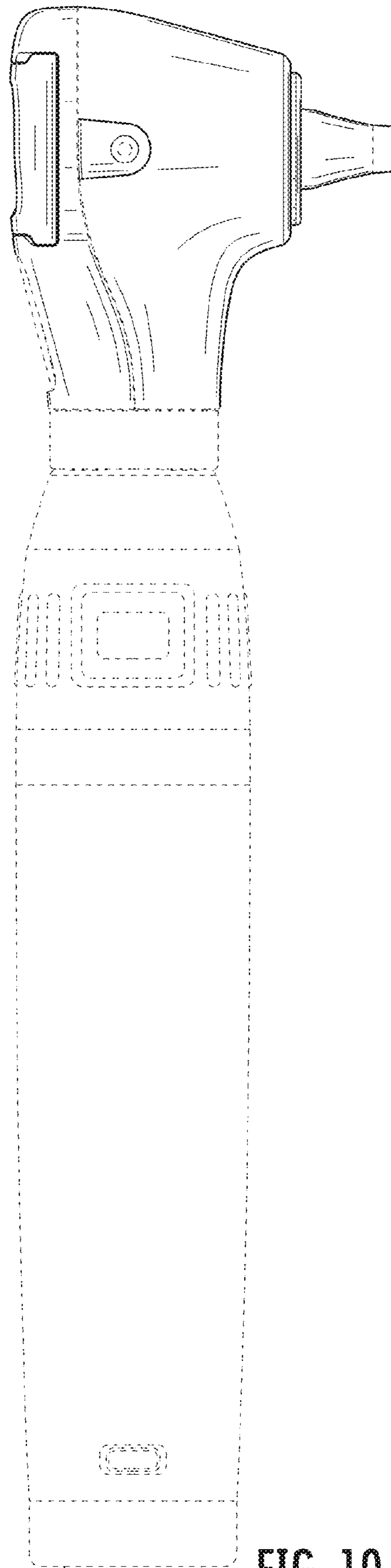


FIG. 10