



US00D958340S

(12) **United States Design Patent** (10) **Patent No.:** **US D958,340 S**  
**Englert et al.** (45) **Date of Patent:** **\*\* Jul. 19, 2022**

(54) **MEDICAL VIEWING DEVICE**

(71) Applicant: **Welch Allyn, Inc.**, Skaneateles Falls, NY (US)

(72) Inventors: **Robert S. Englert**, Syracuse, NY (US); **Alan S. Knieriem**, Skaneateles Falls, NY (US); **Steven R. Slawson**, Skaneateles Falls, NY (US); **Timothy R. Fitch**, Syracuse, NY (US); **Michael T. McMahon**, Skaneateles Falls, NY (US); **David Perkins**, Tully, NY (US)

D289,197 S 4/1987 Ware  
 5,200,772 A 4/1993 Perkins et al.  
 5,202,710 A 4/1993 Perkins  
 D377,393 S 1/1997 Sams  
 D379,514 S 5/1997 Laun et al.  
 D423,668 S 4/2000 Coe  
 D429,333 S 8/2000 Sander et al.

(Continued)

**OTHER PUBLICATIONS**

U.S. Appl. No. 29/654,308, filed Jun. 22, 2018, allowed.

(Continued)

(73) Assignee: **WELCH ALLYN, INC.**, Skaneateles Falls, NY (US)

*Primary Examiner* — Eliza Z Harvey

(74) *Attorney, Agent, or Firm* — Alston & Bird LLP

(\*\*) Term: **15 Years**

(57) **CLAIM**

(21) Appl. No.: **29/759,166**

The ornamental design for a medical viewing device, as shown and described.

(22) Filed: **Nov. 20, 2020**

**DESCRIPTION**

**Related U.S. Application Data**

(63) Continuation of application No. 29/654,308, filed on Jun. 22, 2018, now Pat. No. Des. 905,238.

(51) **LOC (13) Cl.** ..... **24-02**

(52) **U.S. Cl.**  
USPC ..... **D24/137**

(58) **Field of Classification Search**  
USPC ..... D24/137, 138, 133, 160, 134  
CPC . A61B 1/227; A61B 1/00009; A61B 1/00096;  
A61B 1/05  
See application file for complete search history.

FIG. 1 is a perspective view of another embodiment of a medical viewing device showing our new design;  
 FIG. 2 is another perspective view thereof;  
 FIG. 3 is a left side elevation view thereof;  
 FIG. 4 is a right side elevation view thereof;  
 FIG. 5 is a front elevation view thereof;  
 FIG. 6 is a rear elevation view thereof;  
 FIG. 7 is a top plan view thereof;  
 FIG. 8 is a bottom plan view thereof; and,  
 FIG. 9 is another perspective thereof shown with an attached handle.

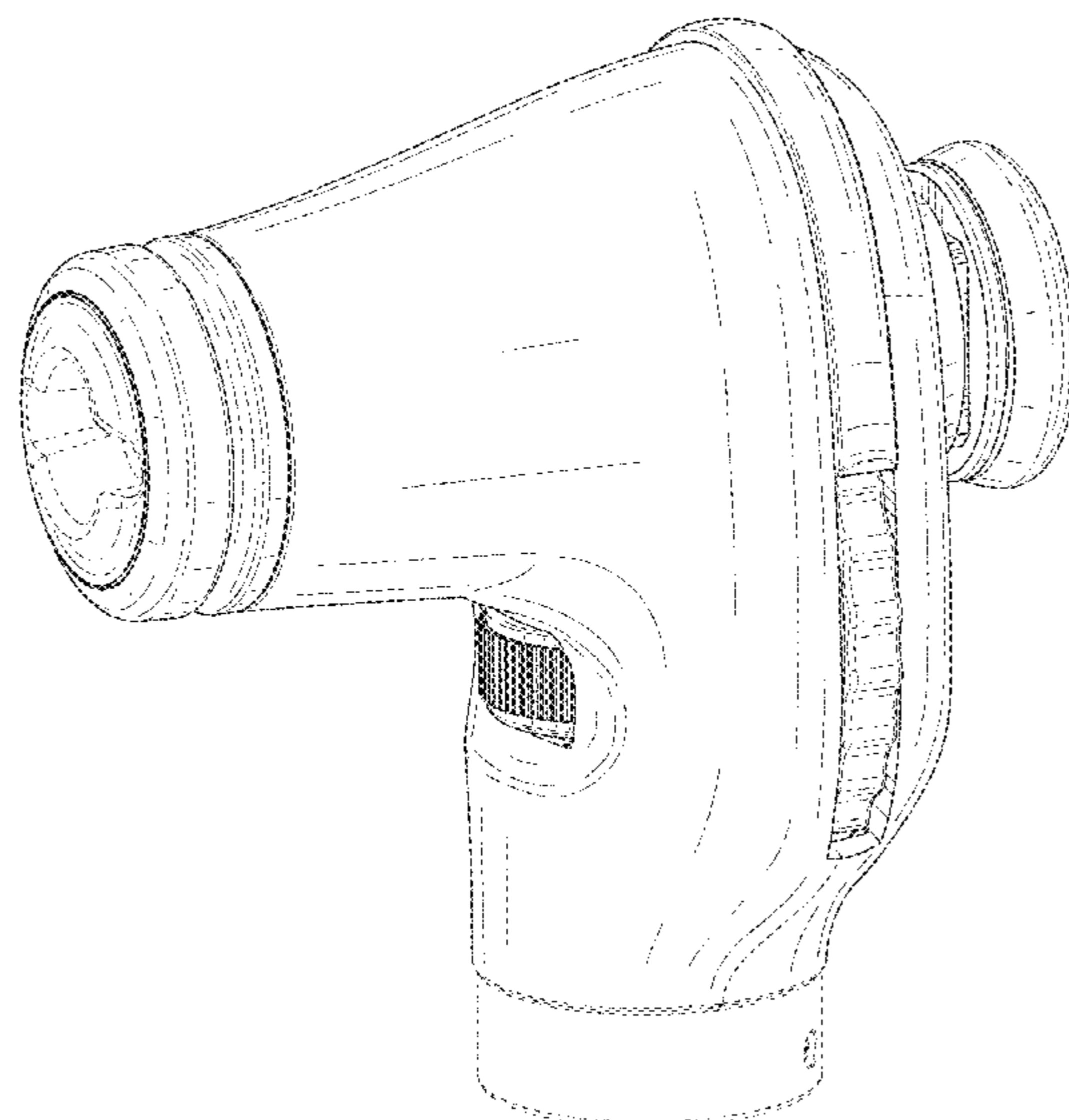
The broken lines immediately adjacent to shaded areas depict boundaries of the claim and form no part of the claimed design. The broken lines of the attached handle in FIG. 9 illustrate environment and form no part of the claimed design. All other broken lines depict portions of the medical viewing device that form no part of the claimed design.

(56) **References Cited**

**U.S. PATENT DOCUMENTS**

D207,372 S 4/1967 Pulos  
 D243,973 S 4/1977 Pulos et al.  
 D265,504 S 7/1982 Nash  
 D286,814 S 11/1986 Brainard, II  
 D288,960 S 3/1987 Reister

**1 Claim, 9 Drawing Sheets**



(56)

References Cited

U.S. PATENT DOCUMENTS

6,130,520	A	10/2000	Wawro et al.	
D566,270	S	4/2008	Strom et al.	
D566,838	S	4/2008	Slawson et al.	
D594,555	S	6/2009	Hsu	
D618,794	S	6/2010	Onuma	
D619,708	S	7/2010	Ellman	
7,862,173	B1	1/2011	Ellman	
D635,257	S	3/2011	Ellman	
8,459,844	B2	6/2013	Lia et al.	
D709,191	S	7/2014	Wood et al.	
D760,388	S	6/2016	Slawson et al.	
D760,895	S	7/2016	McMahon et al.	
D776,809	S	1/2017	Vallee et al.	
D905,237	S *	12/2020	Knieriem .....	D24/137
D905,238	S *	12/2020	Englert .....	D24/137
D905,239	S *	12/2020	Englert .....	D24/137
D905,240	S *	12/2020	Knieriem .....	D24/137
D940,312	S *	1/2022	Heine .....	D24/133
2004/0039251	A1	2/2004	Roberts et al.	

OTHER PUBLICATIONS

U.S. Appl. No. 29/650,401, filed Jun. 6, 2018, Knieriem et al.  
 U.S. Appl. No. 29/676,213, filed Jan. 9, 2019, Knieriem et al.  
 3.5 V Diagnostic Oscopes [online] [retrieved Jun. 10, 2014].  
 Retrieved from the Internet: <URL: <http://intl.welchallyn.com/apps/products/product.jsp?id=11-ac-100-0000000001141>>. (2011) 1 page.

3.5 V Standard Ophthalmoscope [online] [retrieved Jun. 10, 2014]. Retrieved from the Internet: <URL: <http://intel.welchallyn.com/apps/products/product.jsp?id=11-ac-100-0000000001137>>. (2011) 1, page.  
 PocketScope Ophthalmoscope [online] [retrieved Jun. 10, 2014]. Retrieved from the Internet: <URL: <http://intel.welchallyn.com/apps/products/product.jsp?id=11-ac-100-0000000001139>>. (2011) 1 page.  
 PocketScope Oscope with Throat Illuminator [online] [retrieved Jun. 10, 2014]. Retrieved from the Internet: <URL: <http://intel.welchallyn.com/apps/products/product.jsp?id=11-ac-100-0000000001148>>. (2011) 1 page.  
 Welch Allyn 2.5v PocketScope Ophthalmoscope with AA Handle (Model 12820) [online] [retrieved Jun. 10, 2014]. Retrieved from the Internet: <URL: [http://www.amazon.com/Welch-allyn-PocketScope-Ophthalmoscope-Handle/dp/B002MBRHROQ/repd\\_sim\\_sbs\\_hpc\\_1?ie=UTF8&refRID=0KV7EFBWEAQ08K](http://www.amazon.com/Welch-allyn-PocketScope-Ophthalmoscope-Handle/dp/B002MBRHROQ/repd_sim_sbs_hpc_1?ie=UTF8&refRID=0KV7EFBWEAQ08K) . . . >. (undated) 2 pages.  
 Welch Allyn Oscope/opthalmoscope Diagnostic Set MOD 95001 [online] [retrieved Jun. 10, 2014]. Retrieved from the Internet: <URL: [http://www.amazon.com/Welch-Allyn-opthalmoscope-MOD95001/dp/BOOORJXUDS/ref=pd\\_sxp\\_grid\\_pt\\_0\\_1](http://www.amazon.com/Welch-Allyn-opthalmoscope-MOD95001/dp/BOOORJXUDS/ref=pd_sxp_grid_pt_0_1)>. (undated) 2 pages.  
 Welch Allyn PocketScope Oscope w/“AA” Handle and Soft Case, 1/Ea, 22821 [online] [retrieved Jun. 10, 2014]. Retrieved from the Internet: <URL: [http://www.amazon.com/Welch-Allyn-PocketScope-Oscope-22821/dp/BOOOROJ8UW/re-pd\\_sim\\_hpc\\_3?ie=UTF8&refRID=13090GMJV3SHNBVAQPKS](http://www.amazon.com/Welch-Allyn-PocketScope-Oscope-22821/dp/BOOOROJ8UW/re-pd_sim_hpc_3?ie=UTF8&refRID=13090GMJV3SHNBVAQPKS)>. (undated) 2 pages.

\* cited by examiner

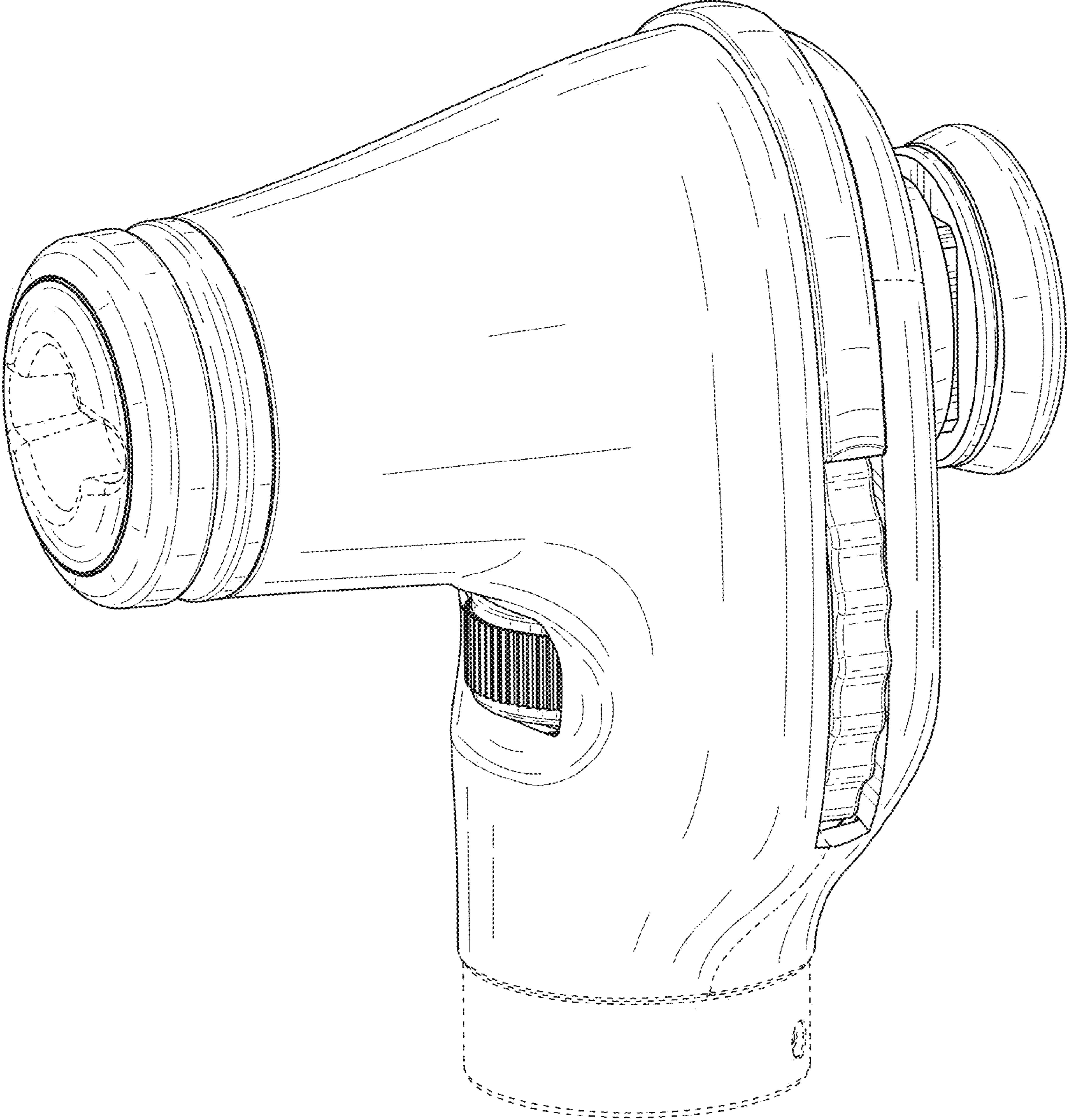


FIG. 1



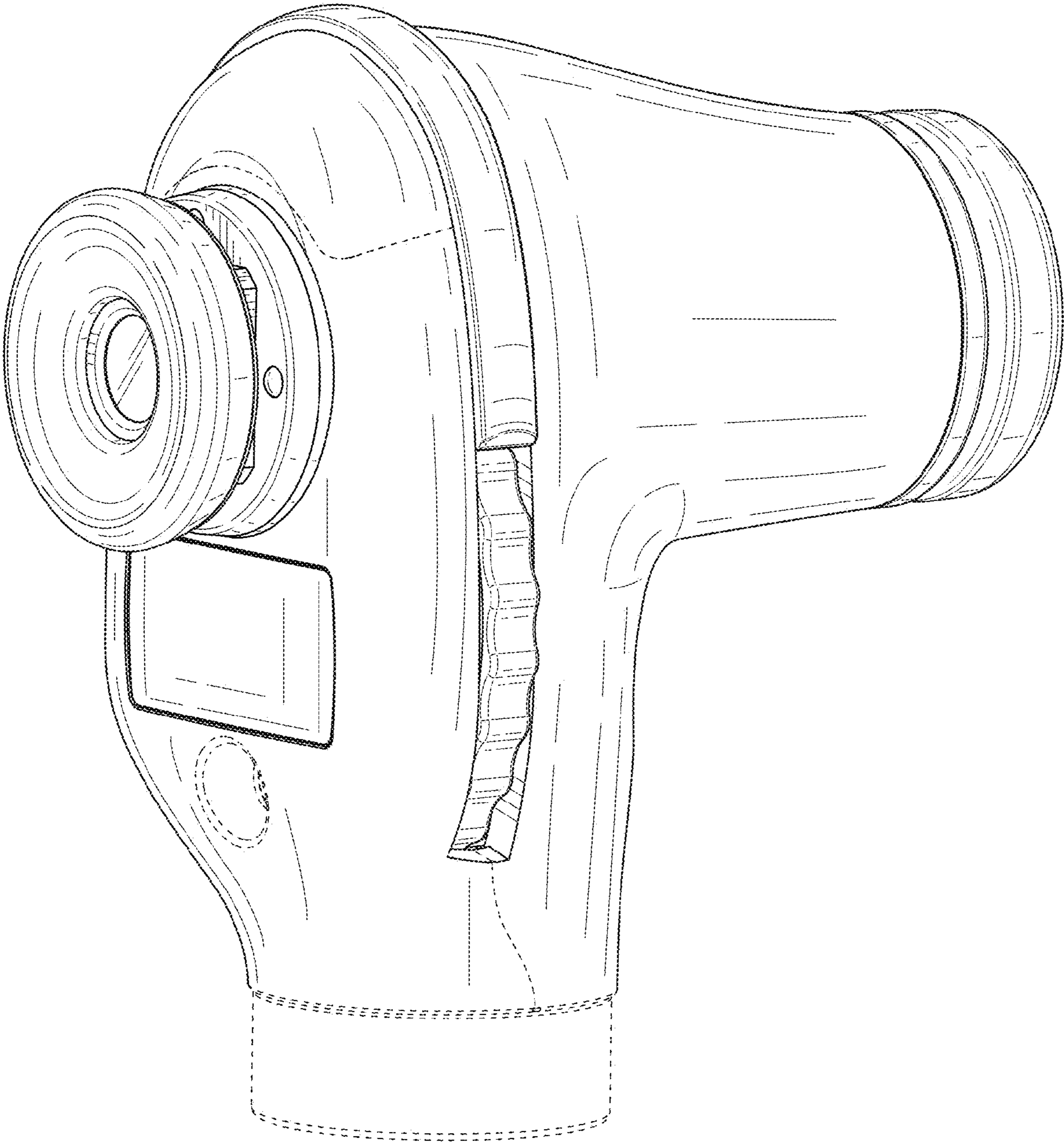


FIG. 2

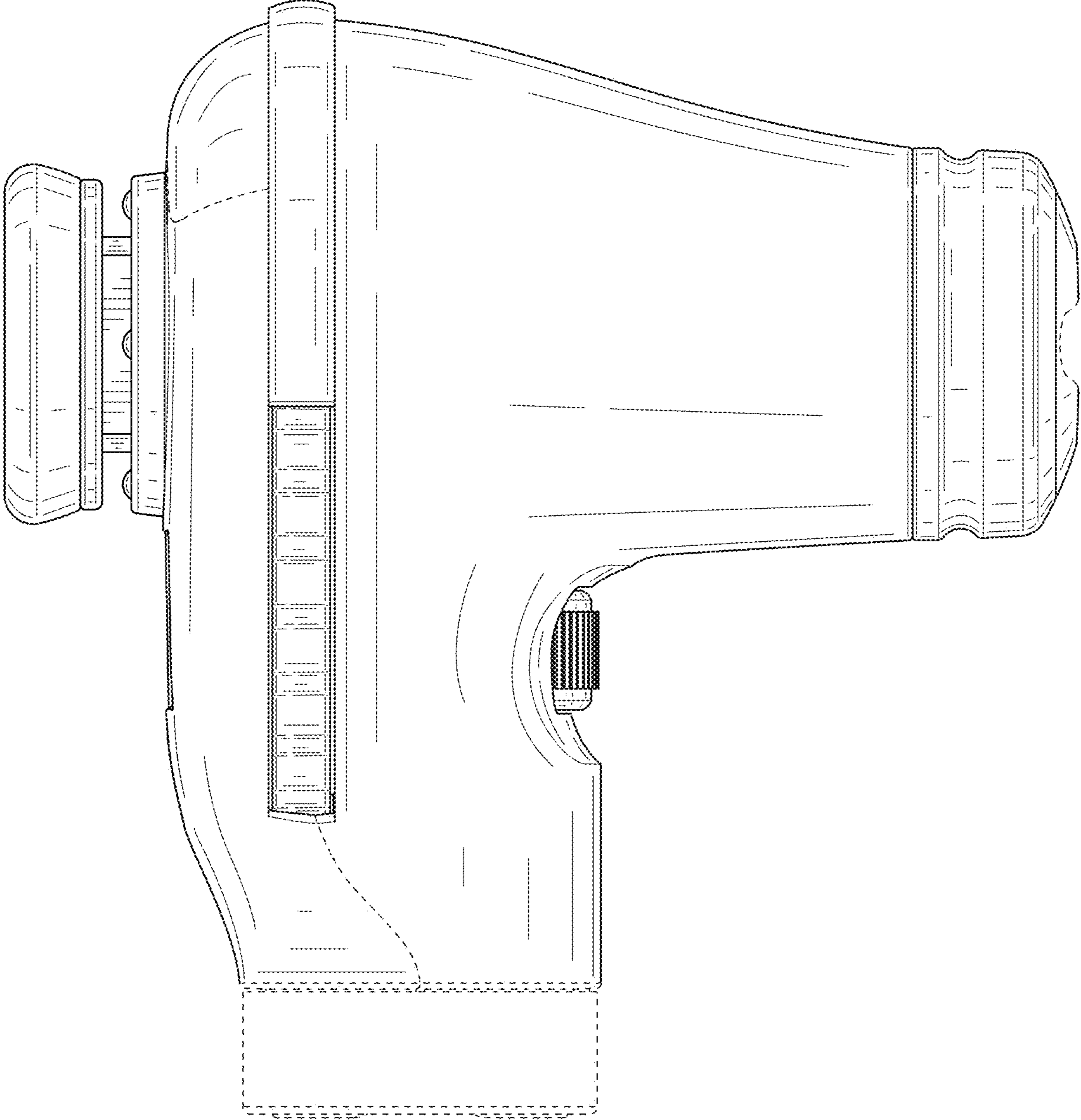


FIG. 3

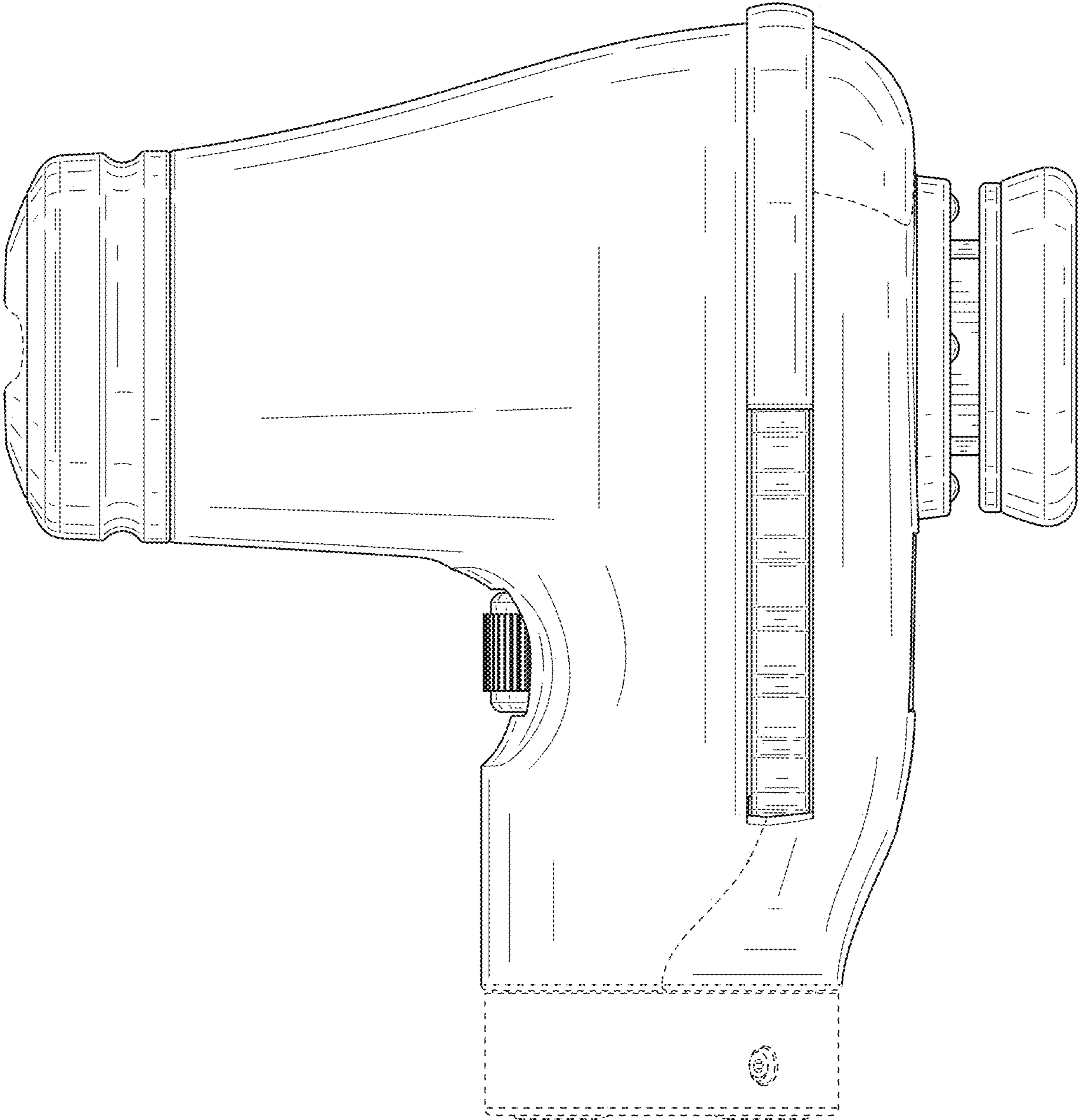


FIG. 4

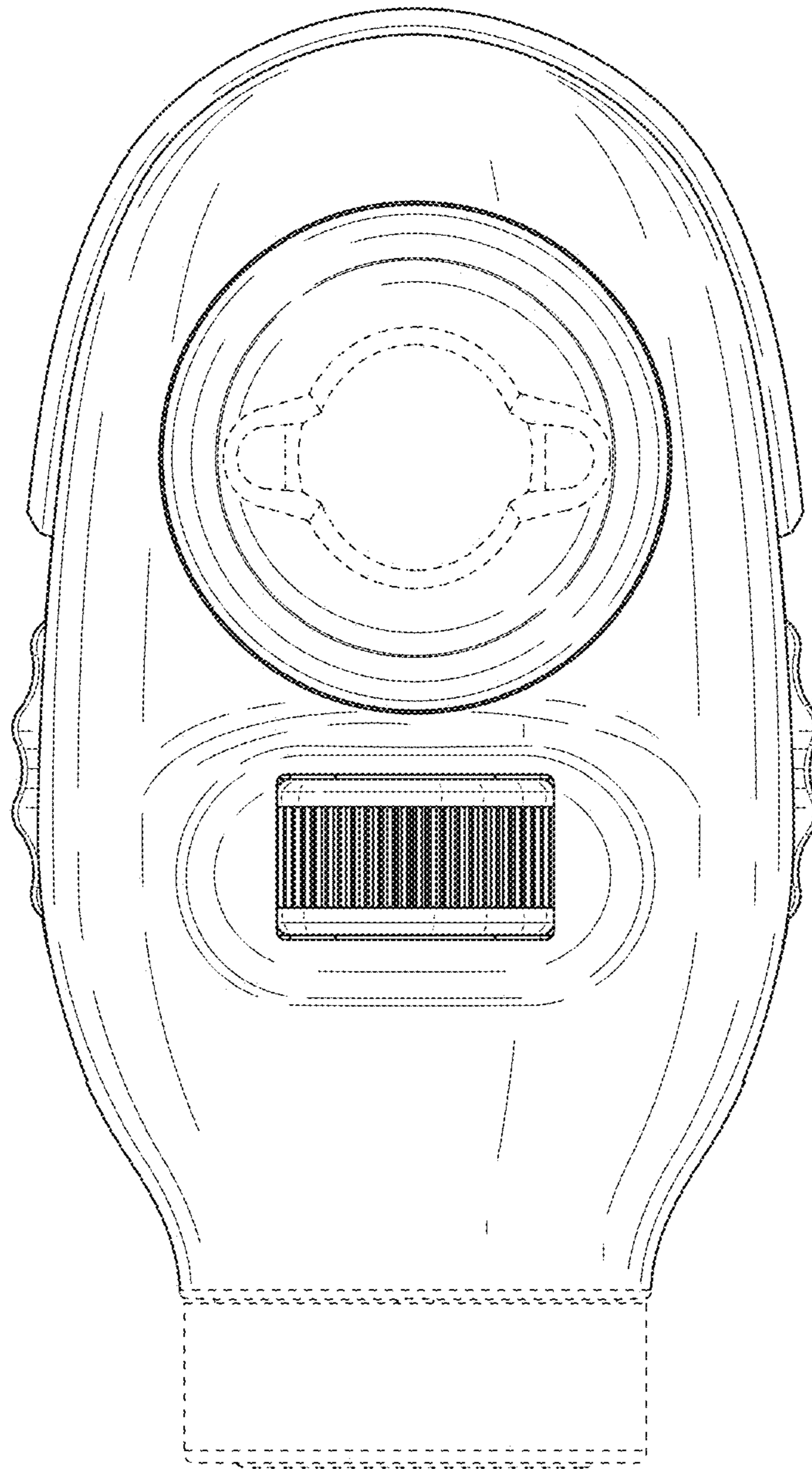


FIG. 5



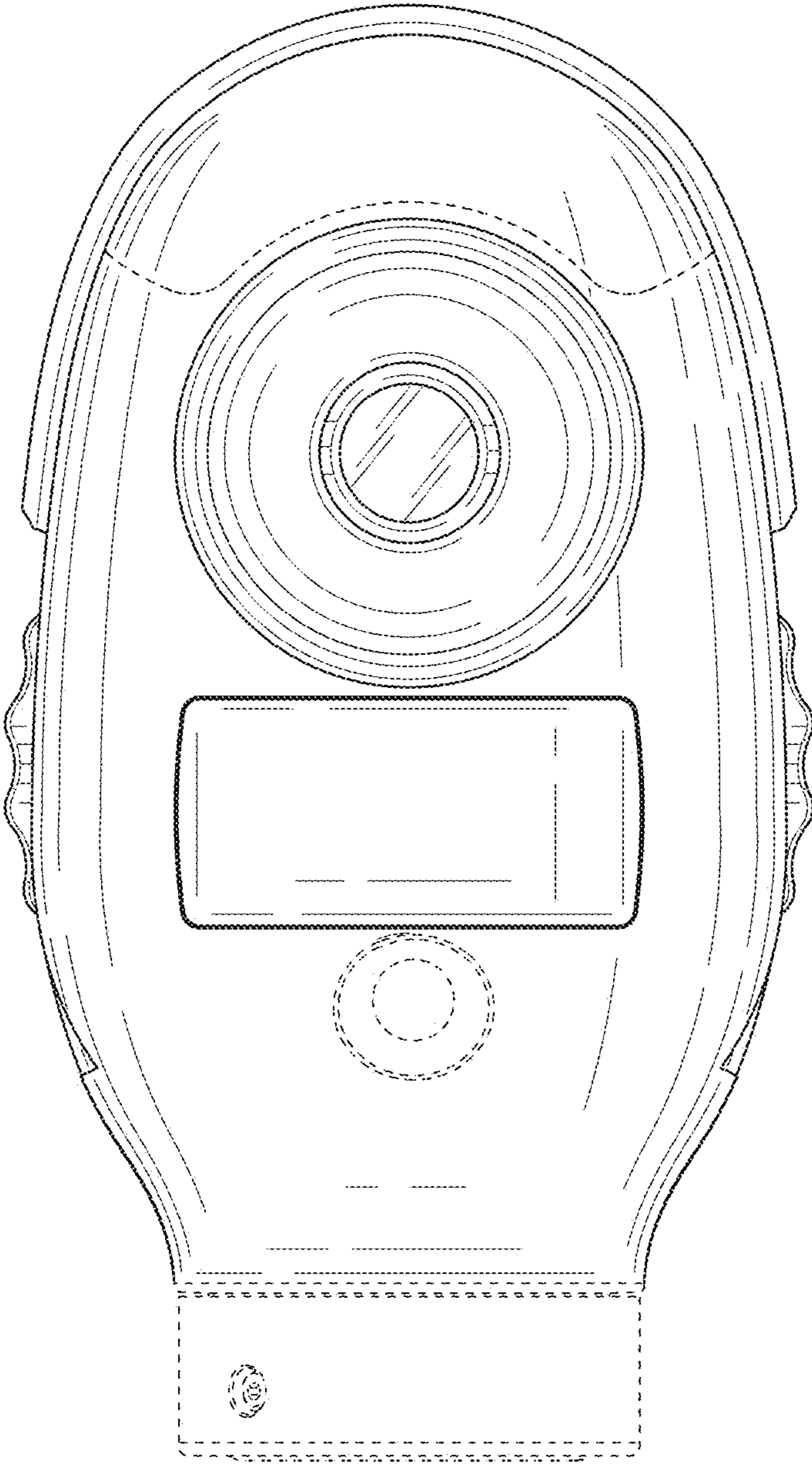


FIG. 6



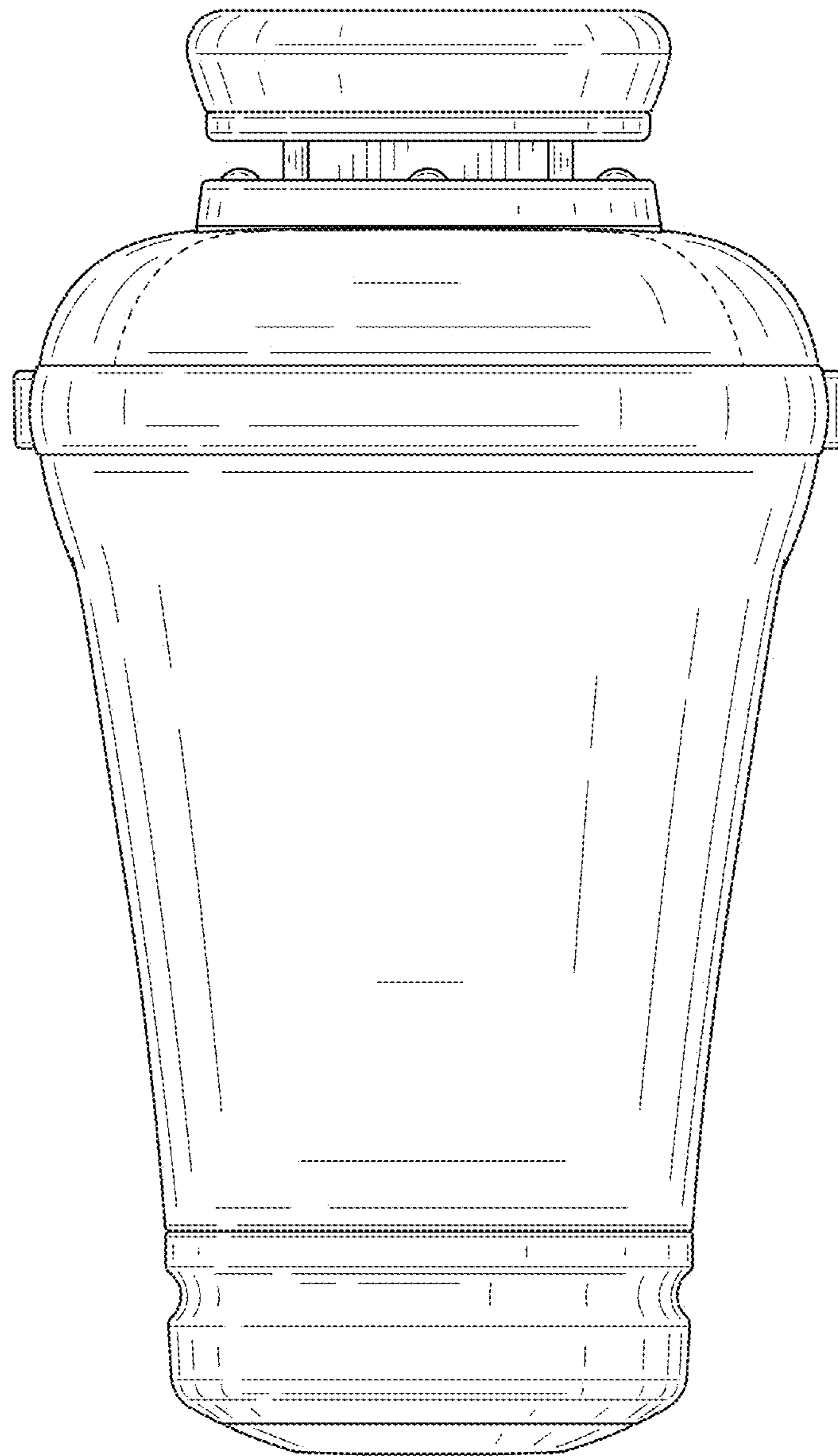


FIG. 7

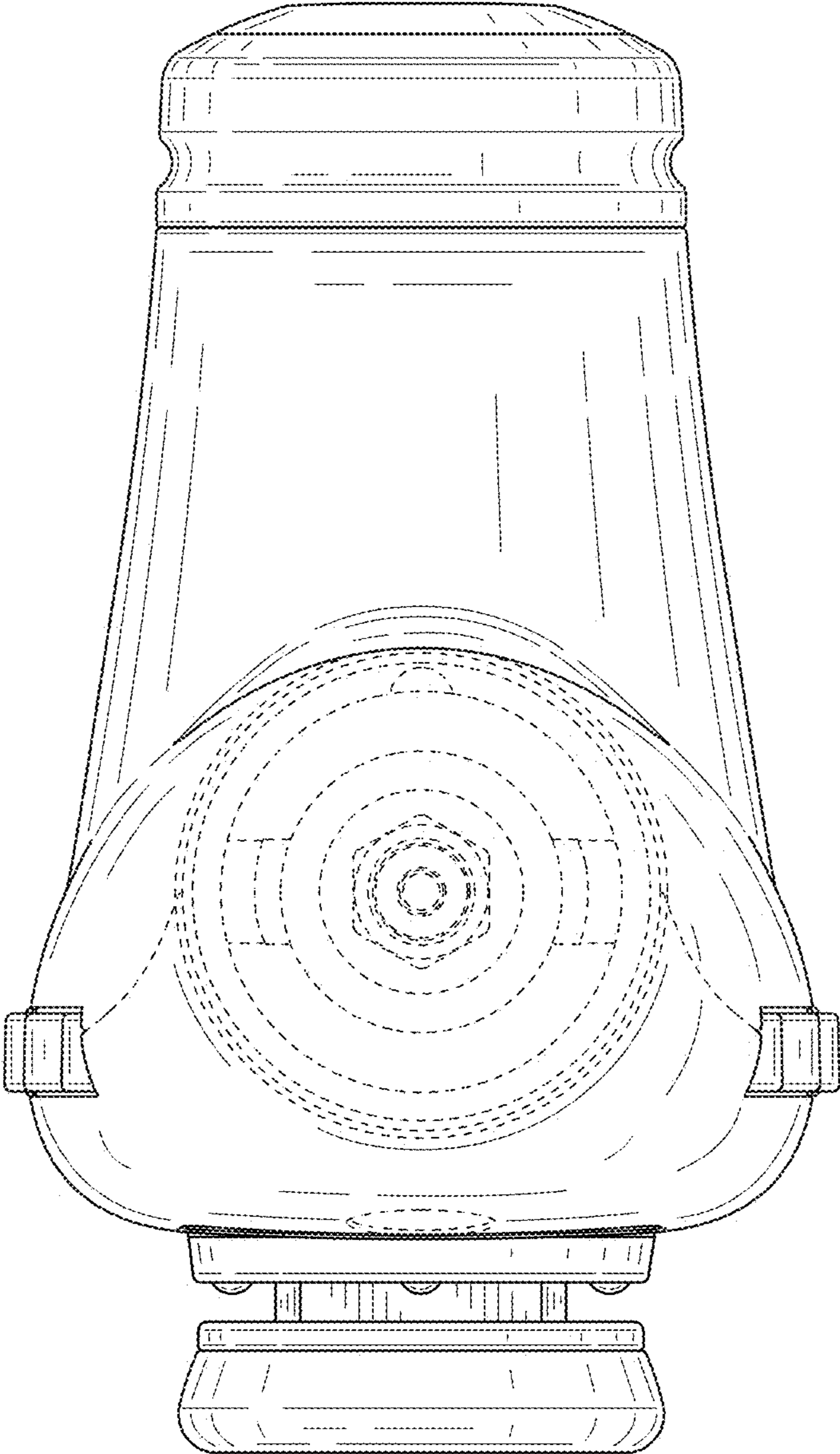


FIG. 8

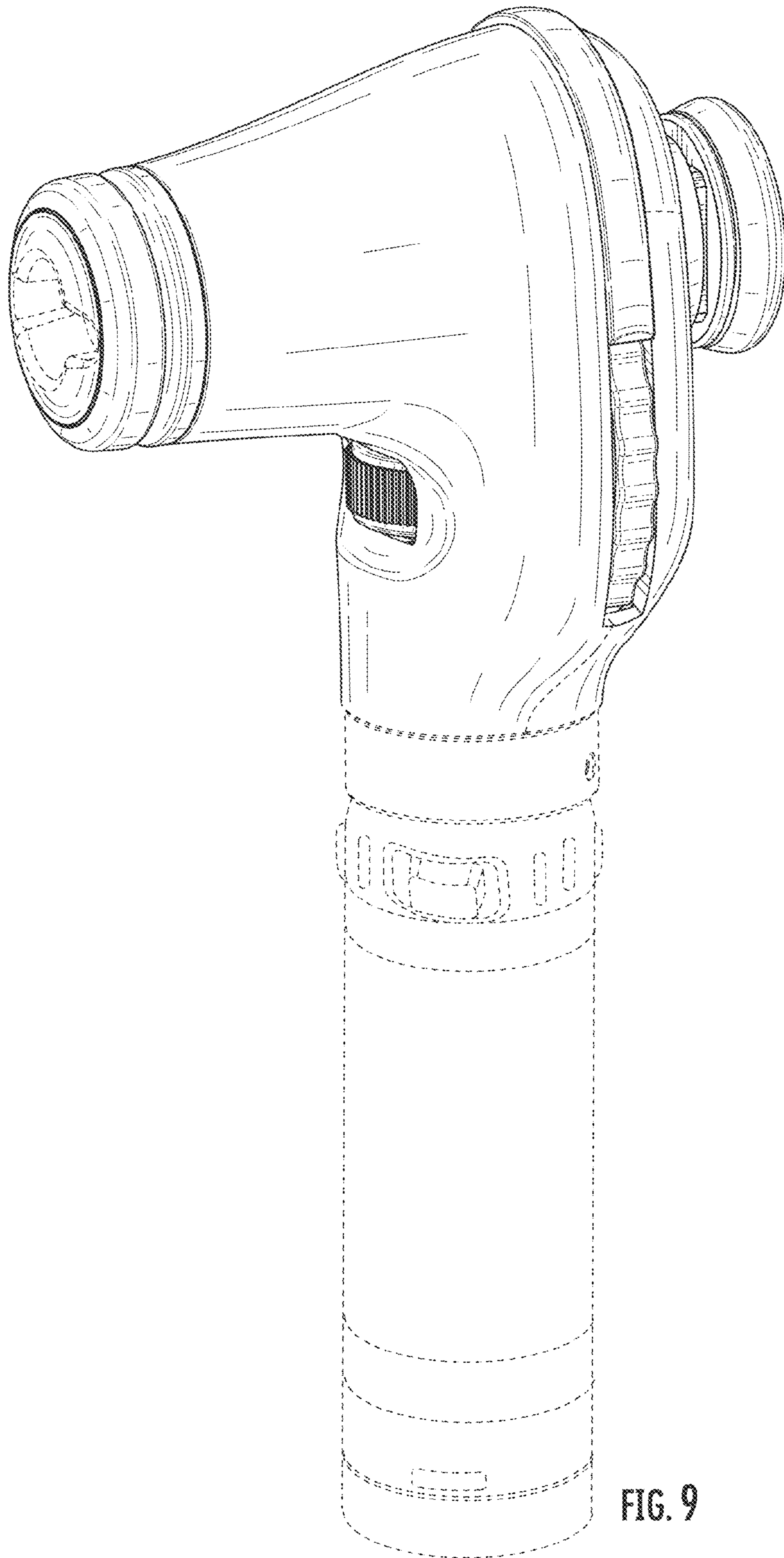


FIG. 9