

US00D958338S

(12) **United States Design Patent** (10) **Patent No.:** **US D958,338 S**  
**Park et al.** (45) **Date of Patent:** **\*\* Jul. 19, 2022**

(54) **INTRAVENOUS PRIMING CAP**  
(71) Applicant: **CareFusion 303, Inc.**, San Diego, CA (US)  
(72) Inventors: **Soon Park**, Cypress, CA (US); **Siddarth K. Shevgoor**, Mission Viejo, CA (US); **Peter Ma**, Shanghai (CN); **Jiagui Li**, Shanghai (CN)  
(73) Assignee: **CareFusion 303, Inc.**, San Diego, CA (US)

D344,440 S 2/1994 Oakley  
5,941,857 A 8/1999 Nguyen  
D435,653 S 12/2000 Niedoşpial  
6,551,286 B1 4/2003 Claessens  
6,719,737 B2 4/2004 Kobayashi  
D640,787 S \* 6/2011 Chia ..... D24/130  
D647,627 S \* 10/2011 Wilkinson ..... D24/224

(Continued)

*Primary Examiner* — Nathan M Johnston  
(74) *Attorney, Agent, or Firm* — Morgan, Lewis & Bockius LLP

(\*\*) Term: **15 Years**

(21) Appl. No.: **29/799,867**

(22) Filed: **Jul. 16, 2021**

**Related U.S. Application Data**

(62) Division of application No. 29/744,152, filed on Jul. 27, 2020, now Pat. No. Des. 925,734, which is a division of application No. 29/662,072, filed on Aug. 31, 2018, now Pat. No. Des. 892,319.

(51) **LOC (13) Cl.** ..... **24-02**

(52) **U.S. Cl.**  
USPC ..... **D24/129**

(58) **Field of Classification Search**  
USPC ..... D24/127–131, 112–114, 133, 186; 606/181, 185; 604/264, 523–528, 272, 604/187, 158, 164.01–164.11, 181, 184, 604/227; 600/101, 139, 143; 128/200.24, 207.14, 207.15  
CPC .... A61M 39/20; A61M 5/1411; A61M 5/165; A61M 5/16813; A61M 5/385; A61M 39/28; A61M 2005/1402; A61M 2205/584  
See application file for complete search history.

(56) **References Cited**

**U.S. PATENT DOCUMENTS**

D299,865 S 2/1989 Kamstrup-Larsen  
4,816,024 A \* 3/1989 Sitar ..... A61M 5/3243  
604/263

(57) **CLAIM**

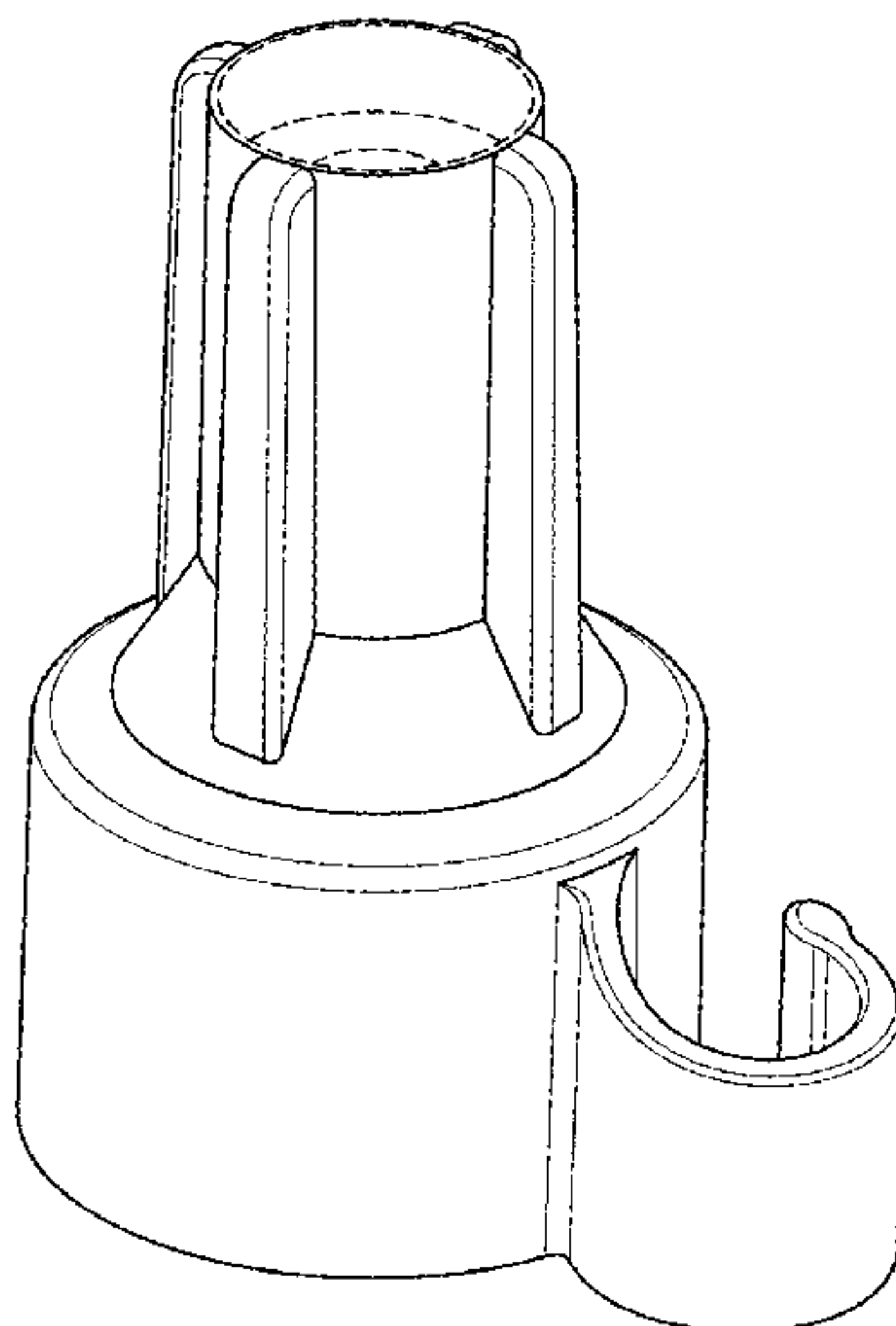
The ornamental design for an intravenous priming cap, as shown and described.

**DESCRIPTION**

FIG. 1 is a front, top perspective view of an intravenous priming cap showing our new design; FIG. 2 is a right side elevation view of the intravenous priming cap of FIG. 1; FIG. 3 is a left side elevation view of the intravenous priming cap of FIG. 1; FIG. 4 is a rear elevation view of the intravenous priming cap of FIG. 1; FIG. 5 is a front elevation view of the intravenous priming cap of FIG. 1; FIG. 6 is a top plan view of the intravenous priming cap of FIG. 1; and, FIG. 7 is a bottom plan view of the intravenous priming cap of FIG. 1.

The dashed lines immediately adjacent to the shaded areas in the figures represent the boundaries of the claimed design. The dashed lines in the figures illustrate the portions of the design that form no part of the claimed design. None of the broken lines form any part of the claimed design.

**1 Claim, 3 Drawing Sheets**



(56)

References Cited

U.S. PATENT DOCUMENTS

D651,712 S *	1/2012	Gao .....	D24/146	D787,053 S	5/2017	Huang	
D665,497 S	8/2012	Marshall		D787,669 S	5/2017	Huang	
D667,951 S	9/2012	Marshall		D791,938 S	7/2017	Becker	
D669,579 S	10/2012	Marshall		D792,584 S	7/2017	Ingram	
D677,379 S *	3/2013	Orsing .....	D24/112	D792,586 S	7/2017	Becker	
D686,339 S	7/2013	Shima		D797,927 S	9/2017	Schuessler	
D687,563 S	8/2013	Tamura		D799,032 S	10/2017	Becker	
D688,796 S *	8/2013	Niunoya .....	D24/127	D804,023 S	11/2017	Huang	
D693,467 S	11/2013	Doucette		D804,660 S	12/2017	Shoji	
D713,029 S *	9/2014	Shiraishi .....	D24/130	D805,193 S	12/2017	Shoji	
D720,452 S	12/2014	Jordan		D814,025 S	3/2018	Zumbrum	
D731,647 S *	6/2015	Nishioka .....	D24/130	D825,749 S	8/2018	Huang	
D738,494 S	9/2015	Kashmirian		D834,187 S	11/2018	Ryan	
D751,192 S	3/2016	She		D852,356 S	6/2019	Steele	
D760,893 S	7/2016	Honda		D911,518 S	2/2021	Shi	
D768,850 S	10/2016	Rozwadowski		D926,976 S *	8/2021	Phillips .....	D24/127
D768,852 S	10/2016	Rozwadowski		D935,605 S *	11/2021	Reber .....	D24/114
D777,317 S	1/2017	Soual		2003/0078548 A1	4/2003	Kobayashi	
D781,417 S	3/2017	Ingram		2014/0188046 A1	7/2014	DiBiasi	
D784,529 S *	4/2017	Steele .....	D24/129	2014/0265319 A1	9/2014	Clark	
				2017/0021110 A1	1/2017	Srinivasan	
				2018/0339115 A1 *	11/2018	Li .....	A61M 5/002
				2021/0244934 A1 *	8/2021	Rao .....	A61M 39/10

\* cited by examiner

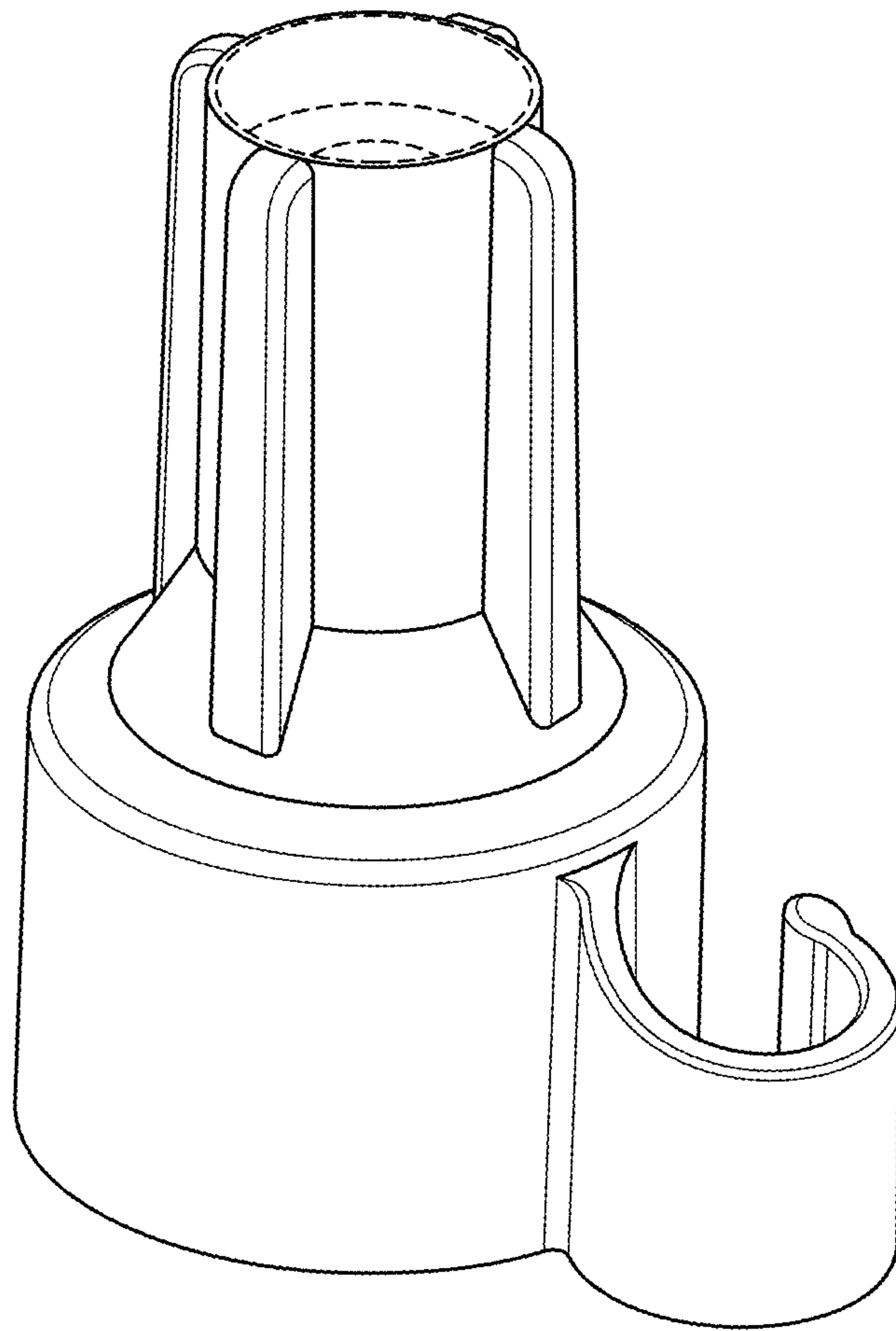


FIG. 1

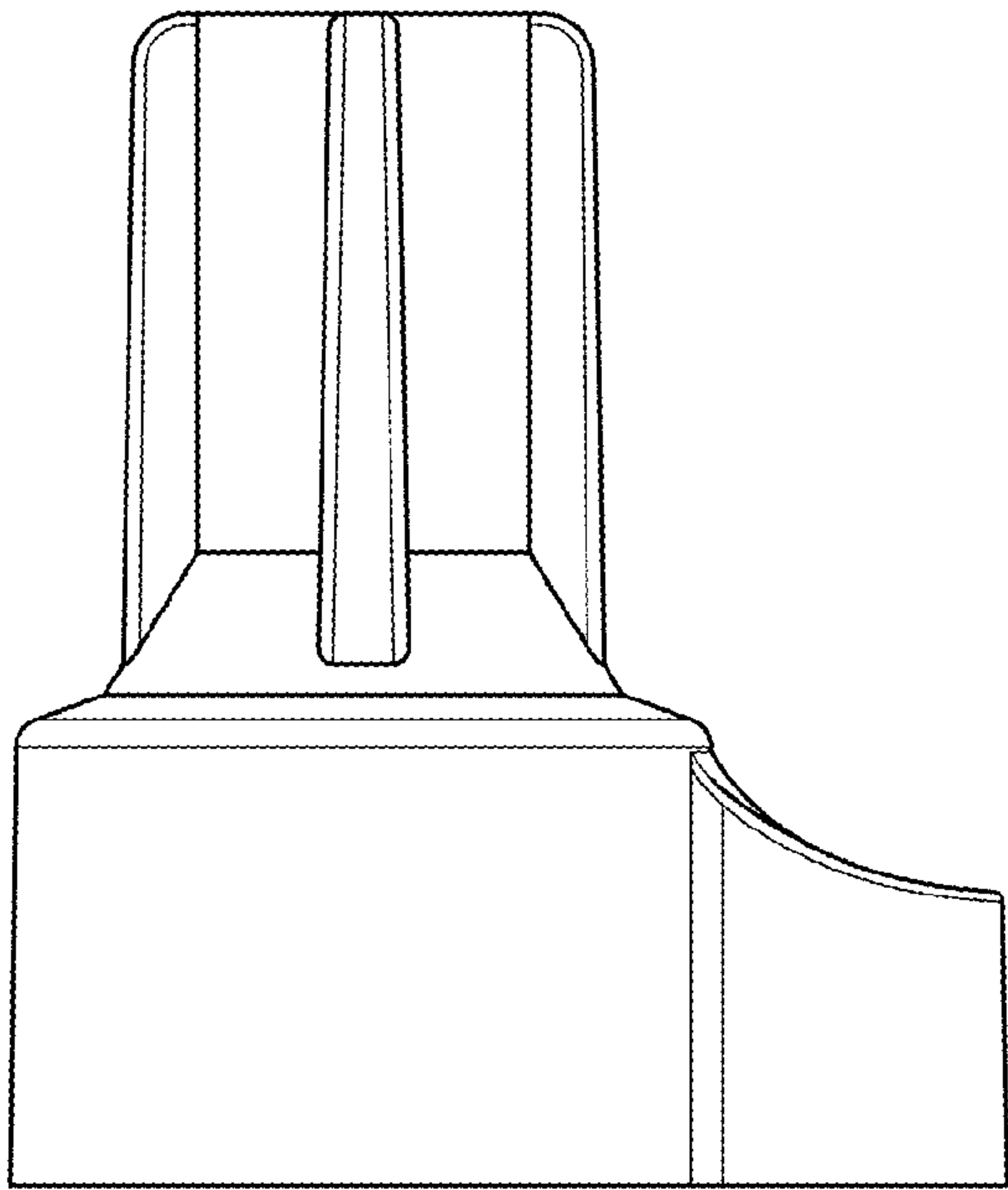


FIG. 2

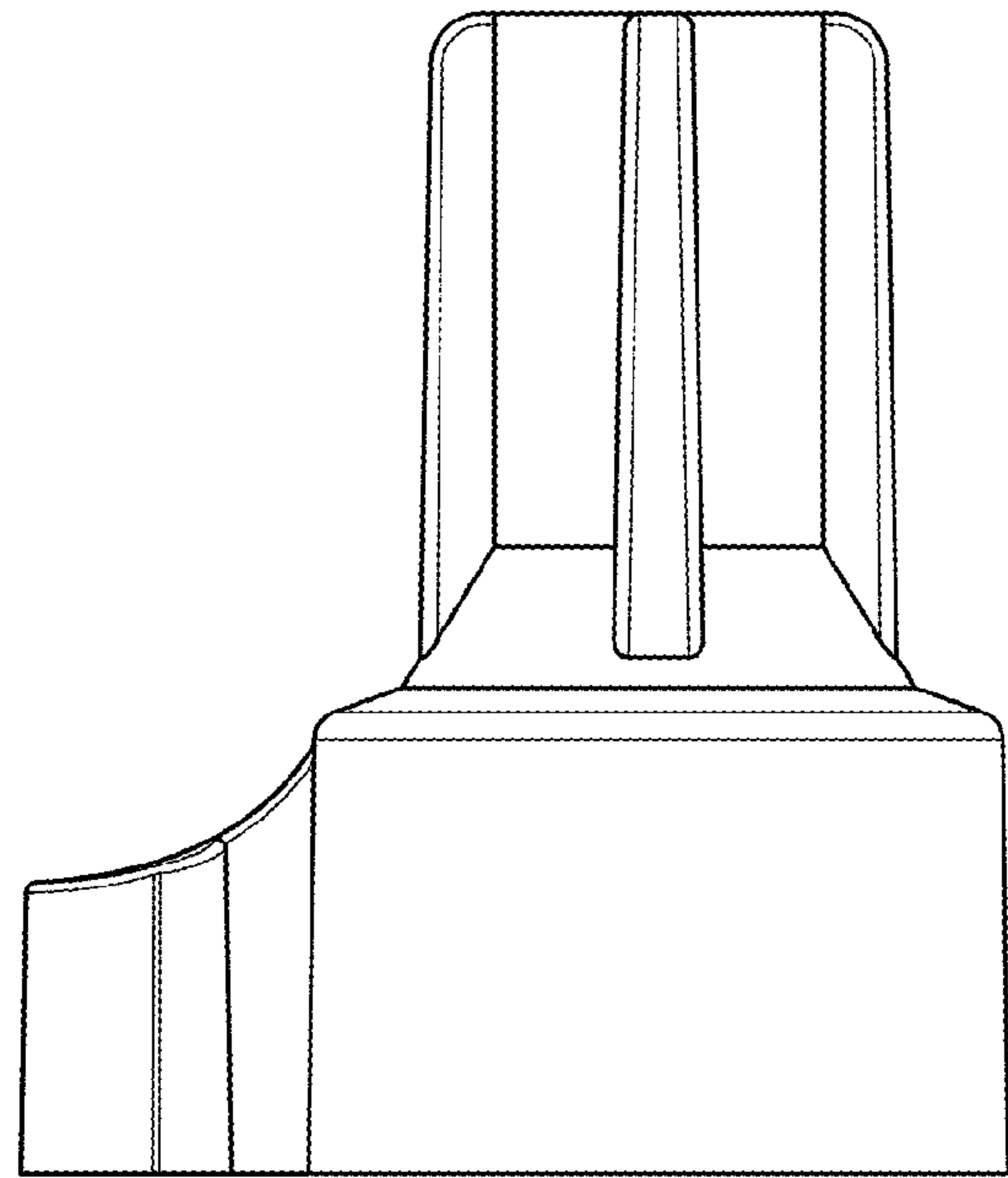


FIG. 3

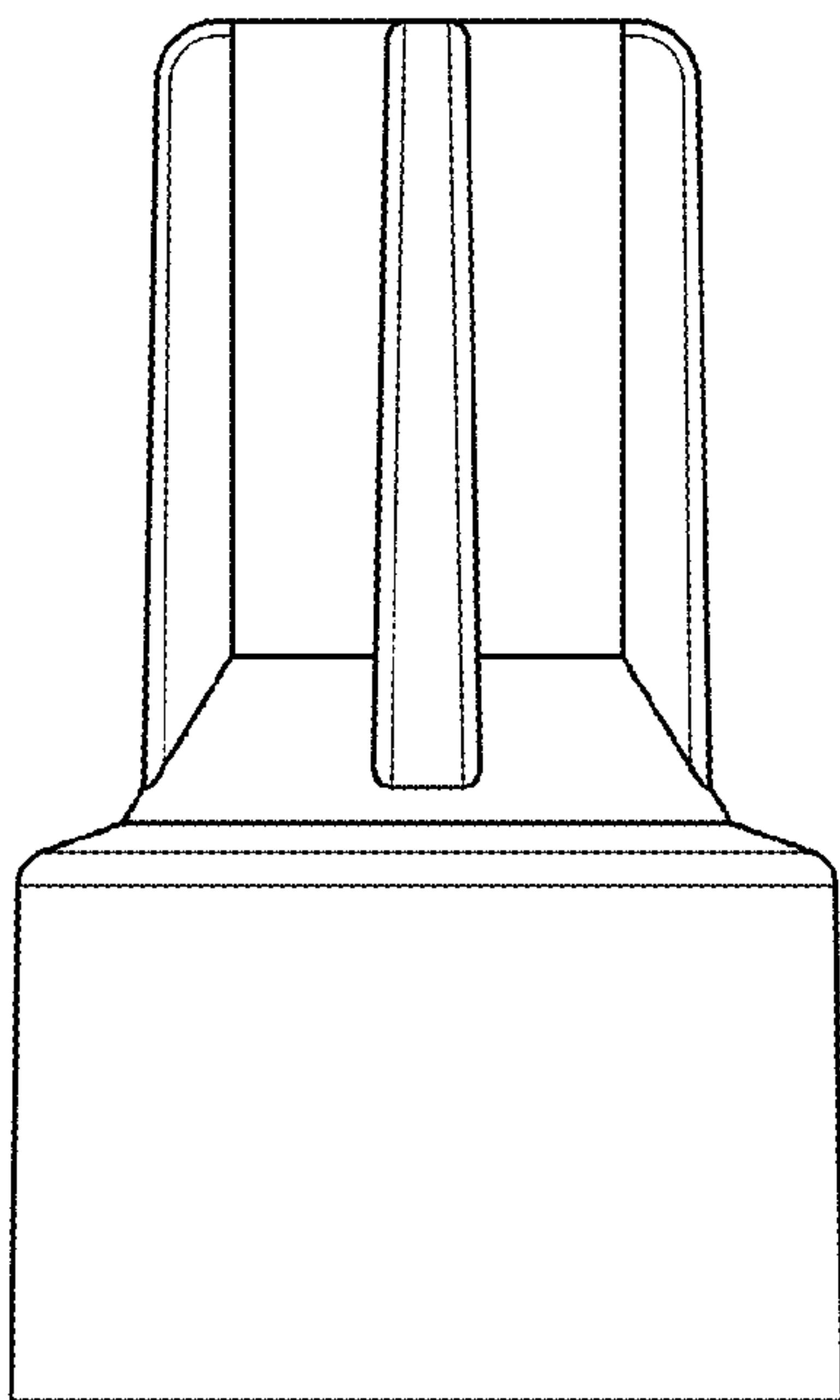


FIG. 4

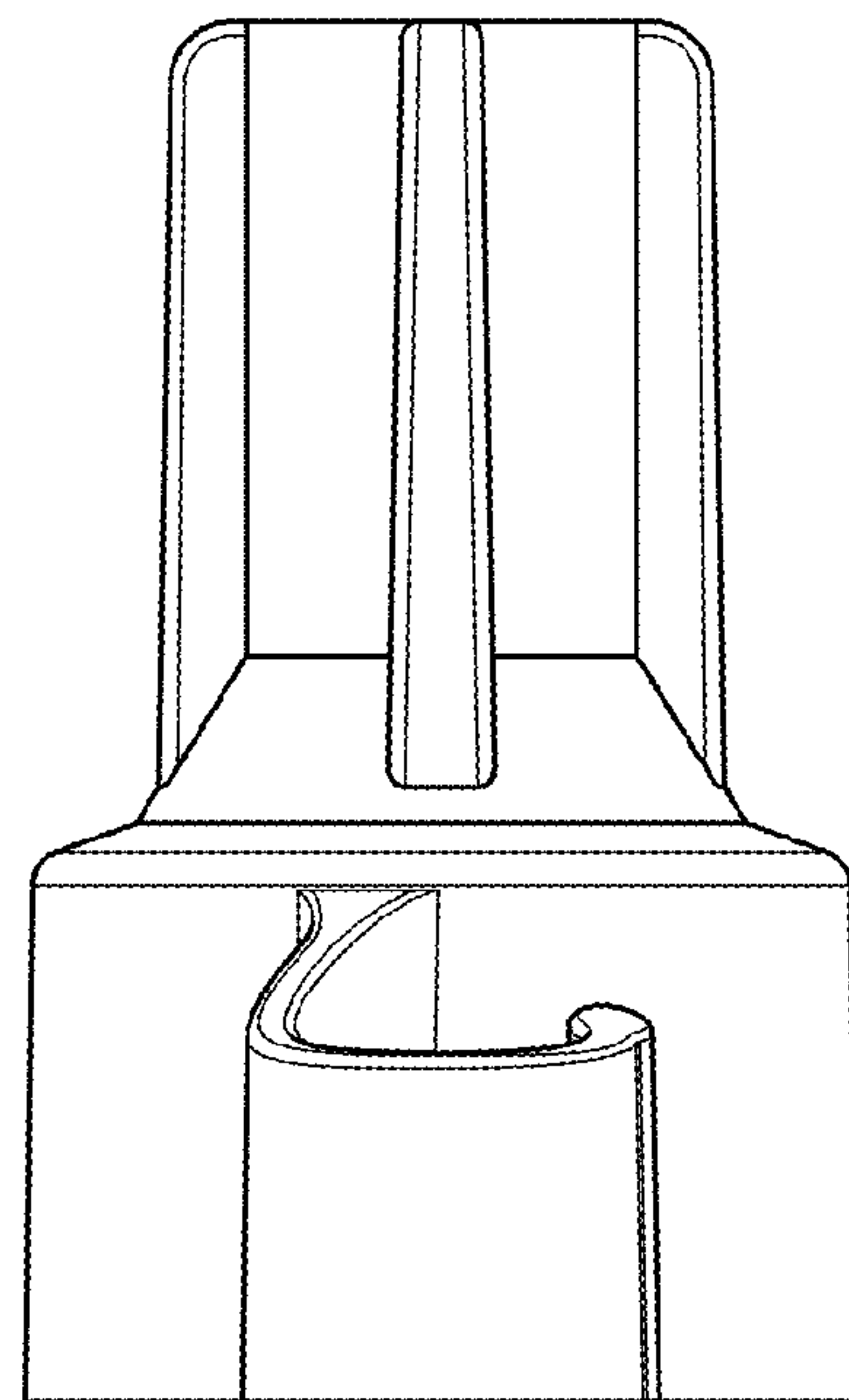


FIG. 5

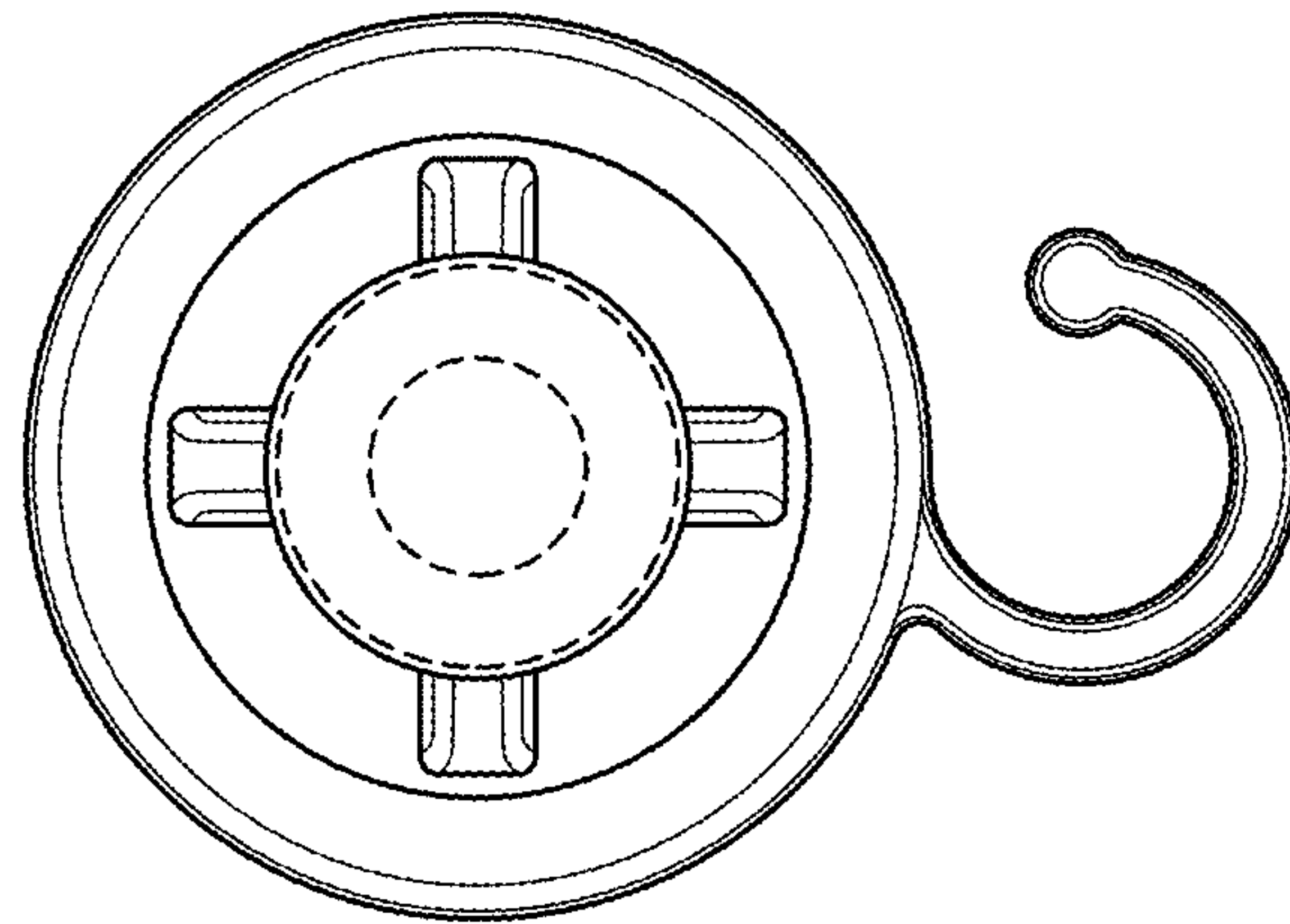


FIG. 6

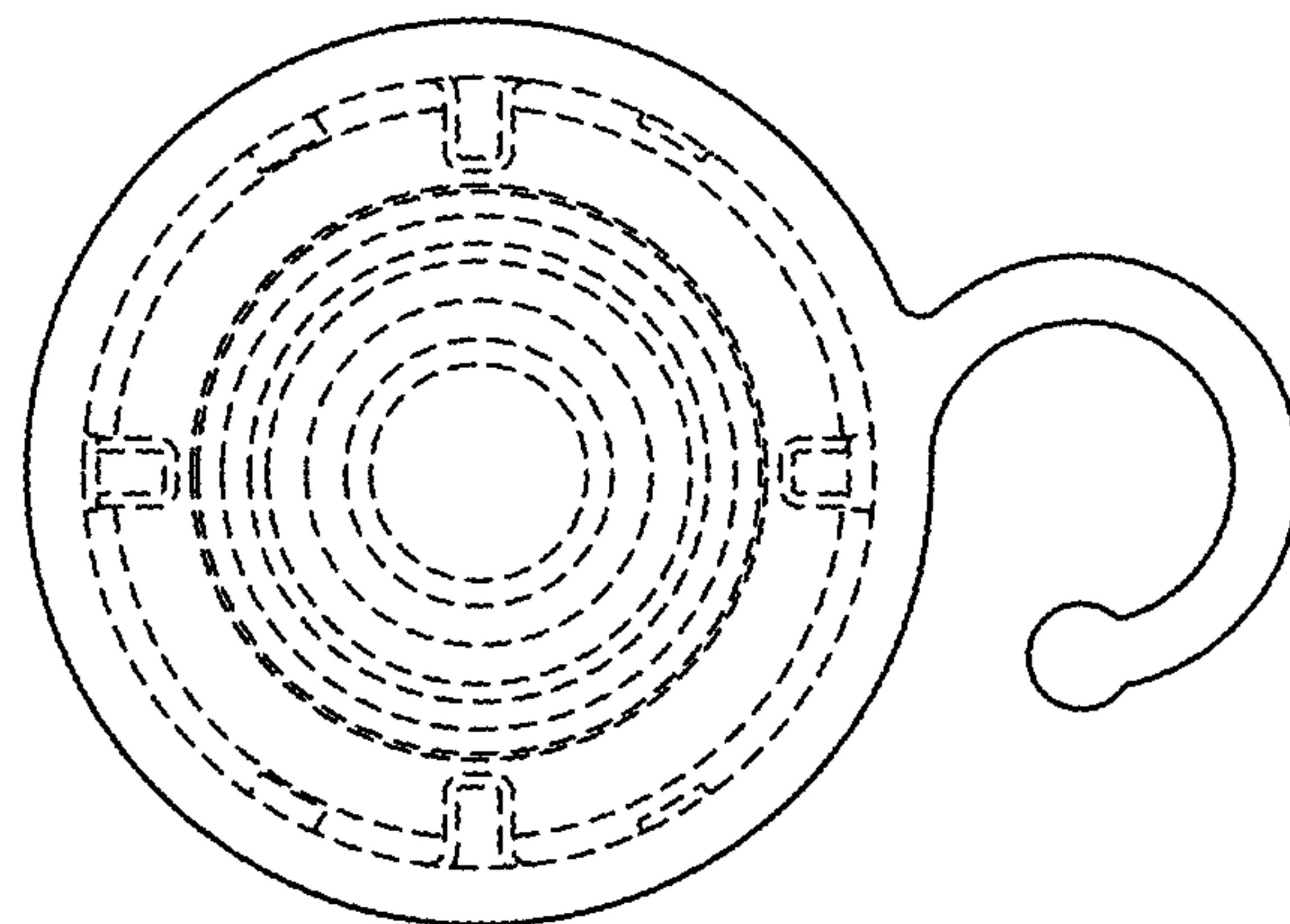


FIG. 7