



US00D958333S

(12) **United States Design Patent** (10) **Patent No.:** **US D958,333 S**
Van Dalen et al. (45) **Date of Patent:** **** Jul. 19, 2022**

(54) **TOOL FOR EYE CLEANING**

(71) Applicant: **Optego Vision USA, Inc.**, Tucson, AZ (US)

(72) Inventors: **Marsha Van Dalen**, Tucson, AZ (US);
Johan Van Dalen, Tucson, AZ (US);
Katherine Mastrota, Brooklyn, NY (US)

(**) Term: **15 Years**

(21) Appl. No.: **29/801,405**

(22) Filed: **Jul. 28, 2021**

(51) **LOC (13) Cl.** **24-02**

(52) **U.S. Cl.**
USPC **D24/119**

(58) **Field of Classification Search**
USPC D24/100, 105, 107, 108, 110, 111, 112,
D24/113, 114, 115, 116, 117, 118, 119,
D24/140, 141, 144, 146, 147, 223, 224,
D24/228; D28/7
CPC A61F 11/006; A61F 13/38; A61F 13/15;
A61F 13/64; A61F 13/467; A61F
13/5611; A61F 13/4704; A61F 13/5616;
A61F 13/4758; A61F 13/472; A61B
2017/246; A61B 17/1615; A61B 17/1697;
A61B 2018/0231; A61M 2210/0662

See application file for complete search history.

(56) **References Cited**

U.S. PATENT DOCUMENTS

| | | | |
|--------------|--------|----------------------|-------------|
| D490,521 S * | 5/2004 | Cooper | D24/119 |
| D545,431 S * | 6/2007 | Khademhosseini .. | A61F 11/006 |
| | | | D24/119 |
| D701,600 S * | 3/2014 | Kauffman | D24/119 |
| D779,654 S * | 2/2017 | Pourbaba | D24/119 |
| D914,203 S * | 3/2021 | Aagaard | D24/119 |
| D944,987 S * | 3/2022 | Wang | D24/151 |
| D945,603 S * | 3/2022 | Frandsen | D24/119 |
| D945,618 S * | 3/2022 | Ramon Martinez | D28/8 |

* cited by examiner

Primary Examiner — Samantha Q Lawrence
(74) *Attorney, Agent, or Firm* — Quarles & Brady LLP;
Yakov S. Sidorin

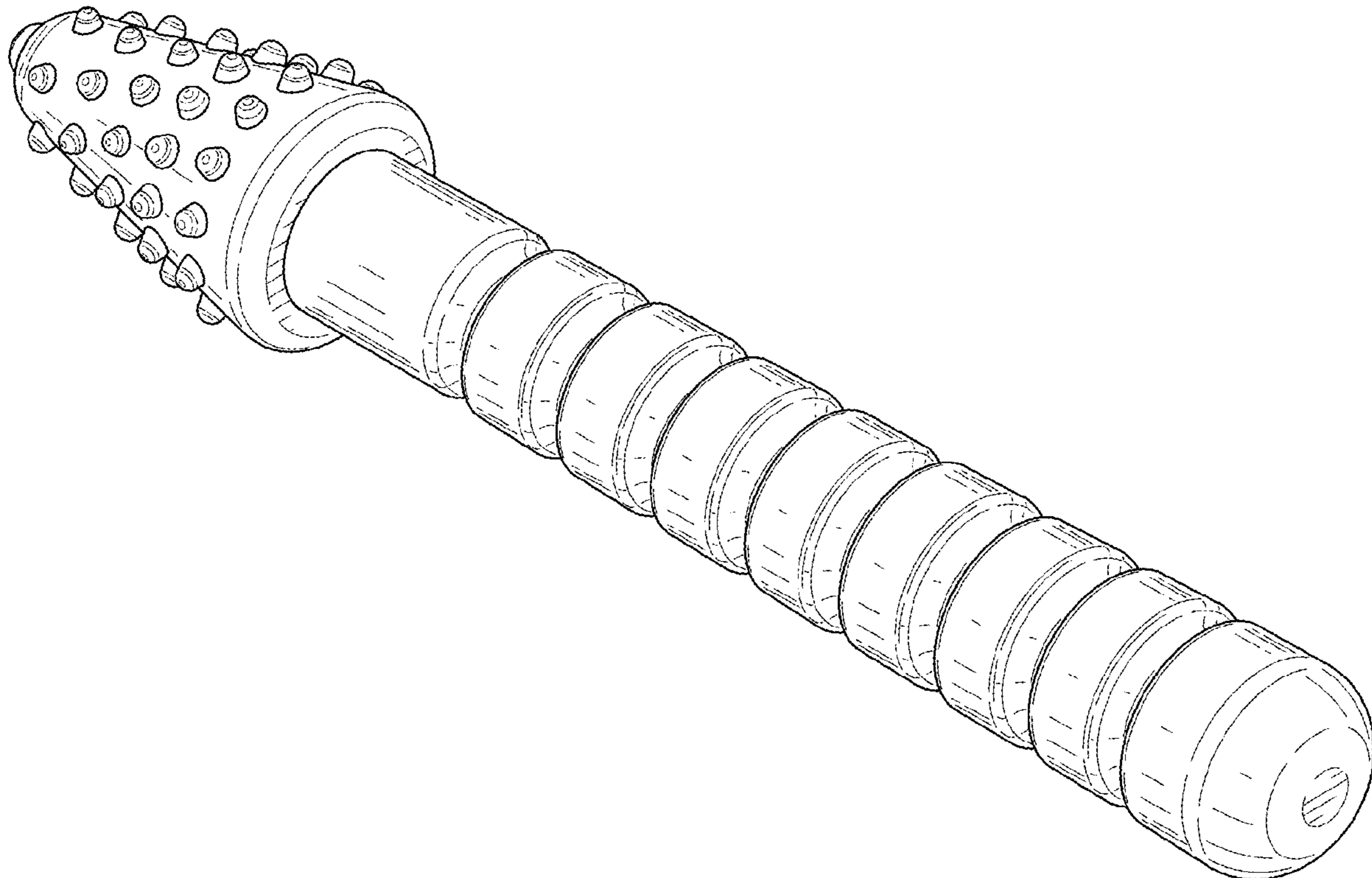
(57) **CLAIM**

The ornamental design for a tool for eye cleaning, as shown and described.

DESCRIPTION

FIG. 1 is a perspective view of the design;
FIG. 2 is a first side elevational view thereof;
FIG. 3 is a second side elevational view thereof;
FIG. 4 is a third side elevational view thereof;
FIG. 5 is a fourth side elevational view thereof;
FIG. 6 is top plan view thereof; and,
FIG. 7 is a bottom plan view thereof.

1 Claim, 4 Drawing Sheets



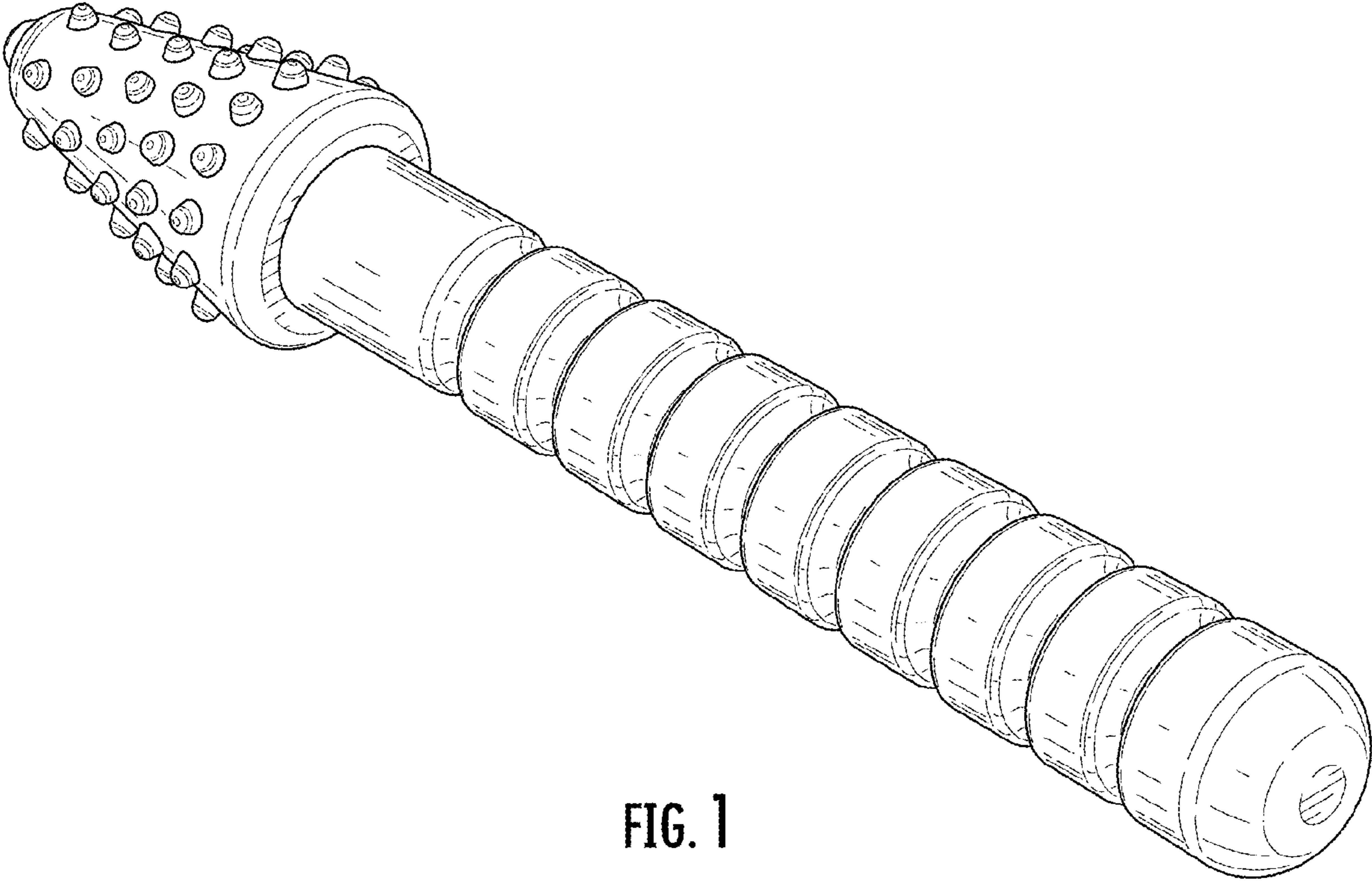


FIG. 1

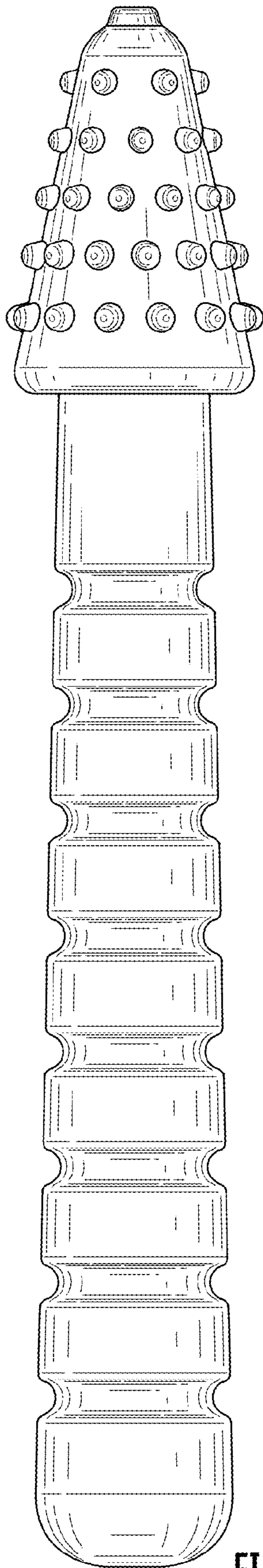


FIG. 2

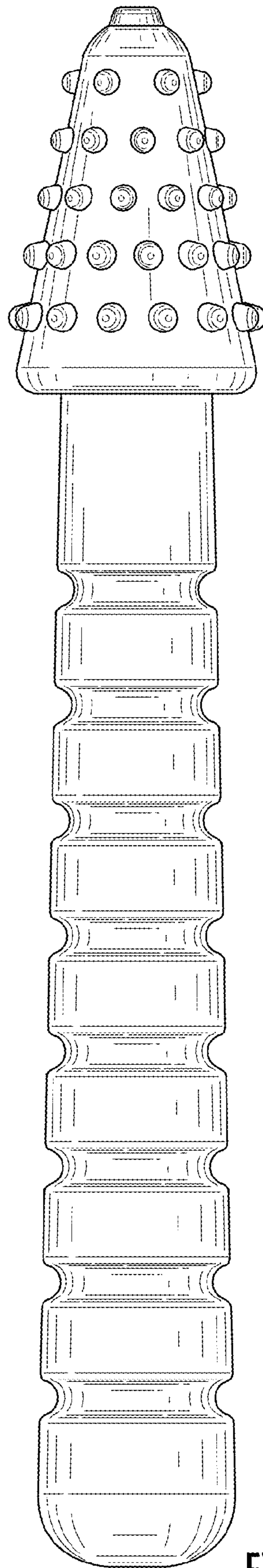


FIG. 3

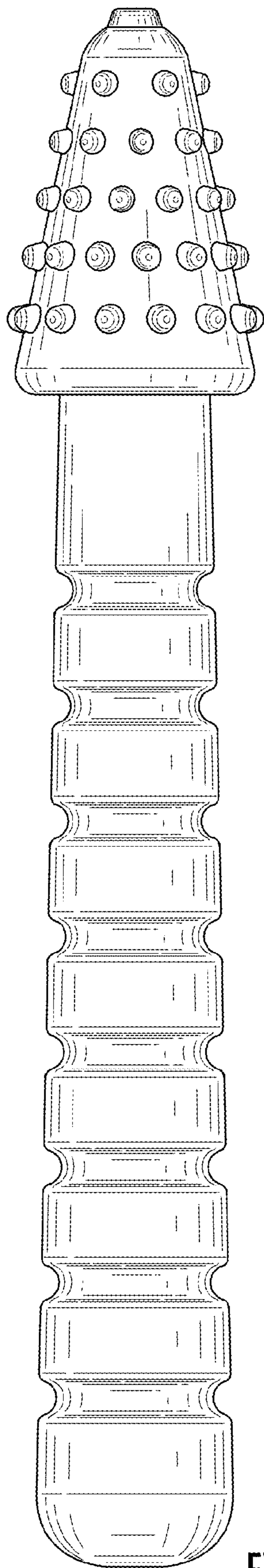


FIG. 4

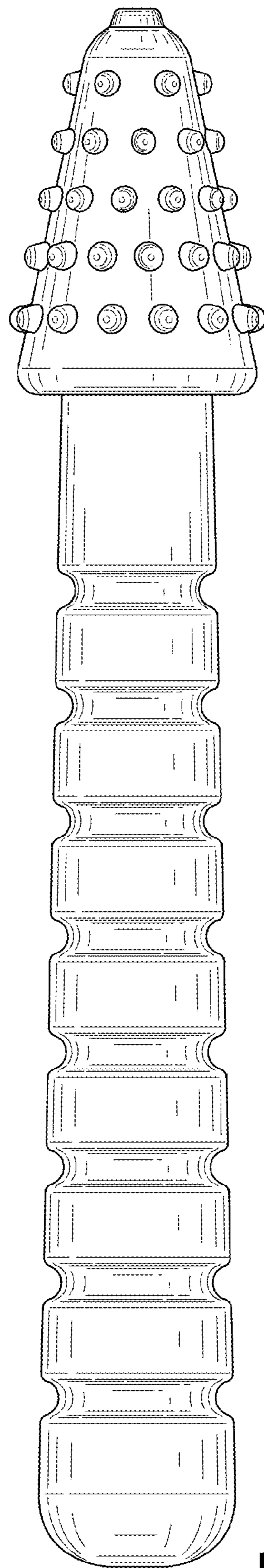


FIG. 5

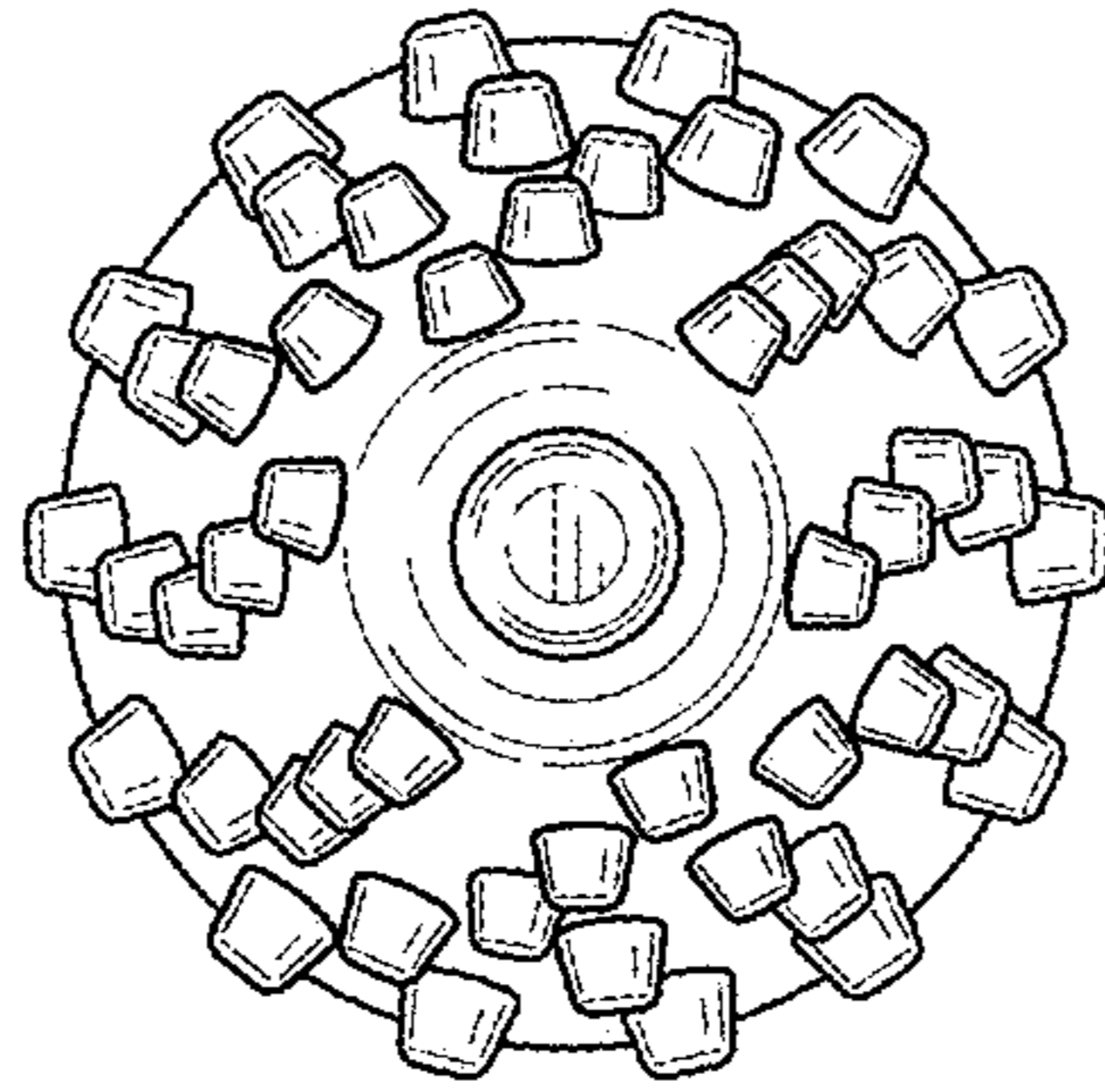


FIG. 6

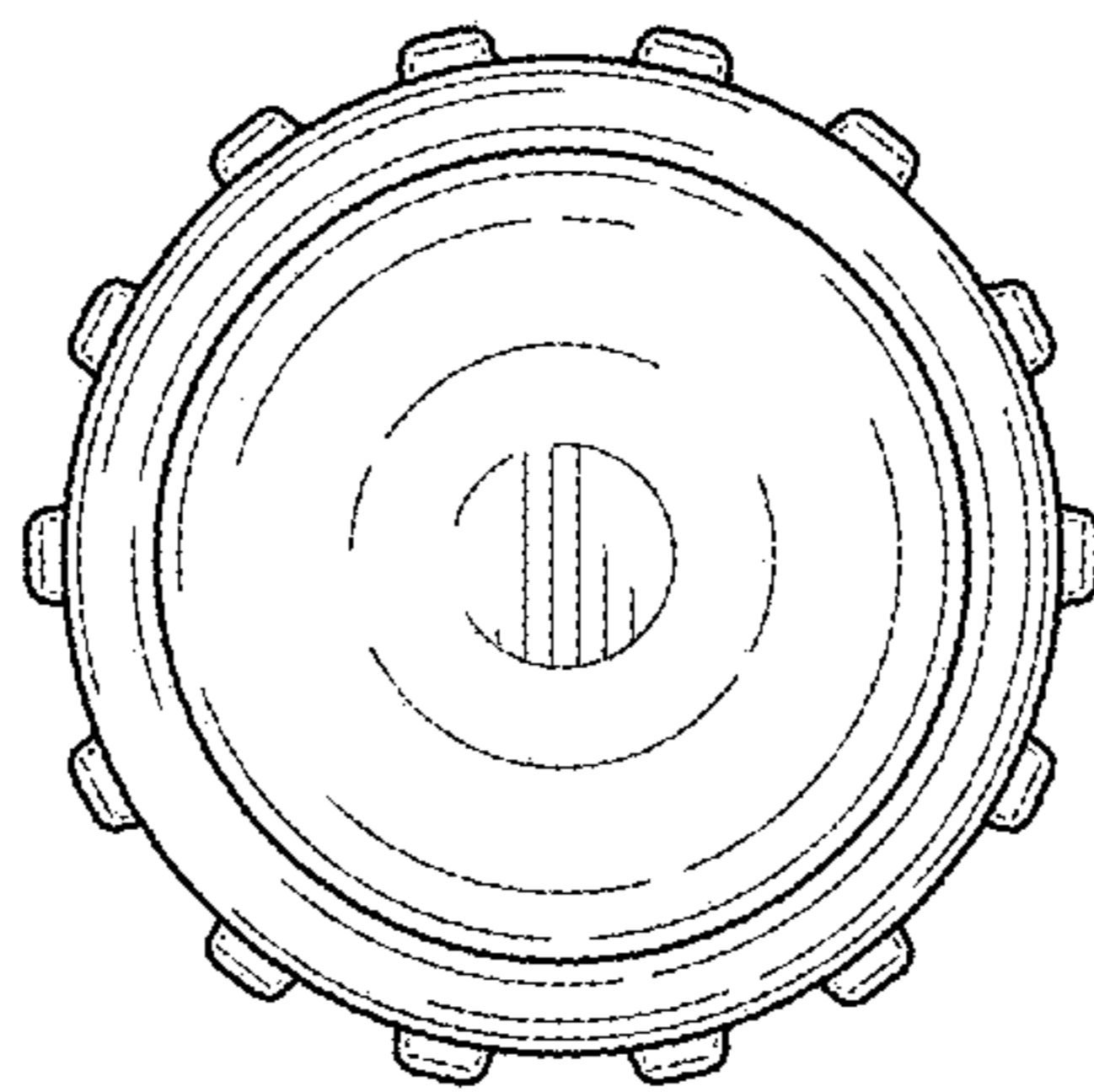


FIG. 7