



US00D958330S

(12) **United States Design Patent**  
**McLusky et al.**

(10) **Patent No.:** **US D958,330 S**  
(45) **Date of Patent:** **\*\* Jul. 19, 2022**

(54) **INJECTION DEVICE ACCESSORY**

(71) Applicant: **Janssen Pharmaceuticals, Inc.**,  
Titusville, NJ (US)

(72) Inventors: **James McLusky**, Edinburgh (GB);  
**Nick Foley**, Edinburgh (GB); **Gavin Fraser McDougall**, Edinburgh (GB);  
**Roy Andrew Crerar**, Edinburgh (GB);  
**Jimmy Mower**, Edinburgh (GB)

(73) Assignee: **Janssen Pharmaceuticals, Inc.**,  
Titusville, NJ (US)

(\*\*) Term: **15 Years**

(21) Appl. No.: **29/694,910**

(22) Filed: **Jun. 14, 2019**

(30) **Foreign Application Priority Data**

Dec. 21, 2018	(GB)	6050744
Dec. 21, 2018	(GB)	6050745
Dec. 21, 2018	(GB)	6050746
Dec. 21, 2018	(GB)	6050747
Dec. 21, 2018	(GB)	6050748
Dec. 21, 2018	(GB)	6050749
Dec. 21, 2018	(GB)	6050750

(51) **LOC (13) Cl.** ..... **24-02**

(52) **U.S. Cl.**  
USPC ..... **D24/114**

(58) **Field of Classification Search**  
USPC ..... D24/112–114, 108, 133, 130, 127, 186;  
606/181, 185; 604/264, 272, 187, 181,  
604/184, 227  
CPC ..... A61M 5/178; A61M 3/00; A61M 5/20;  
A61M 5/31; A61M 5/3146; A61M  
5/3129; A61M 5/3148; A61M 5/315  
See application file for complete search history.

(56) **References Cited**

**U.S. PATENT DOCUMENTS**

8,313,470 B2 11/2012 Abry  
8,608,707 B2 12/2013 Abry

8,708,968 B2 4/2014 Julian et al.  
8,814,828 B2 8/2014 Llewellyn-Hyde et al.  
8,992,477 B2 3/2015 Raday et al.  
(Continued)

**FOREIGN PATENT DOCUMENTS**

EP 1948269 A1 4/2007  
EP 2211944 A1 4/2009  
(Continued)

**OTHER PUBLICATIONS**

International Search Report dated Mar. 3, 2020; International Appli-  
cation No. PCT/IB2019/060974.

(Continued)

*Primary Examiner* — David G Muller

(74) *Attorney, Agent, or Firm* — Craig M. Brown

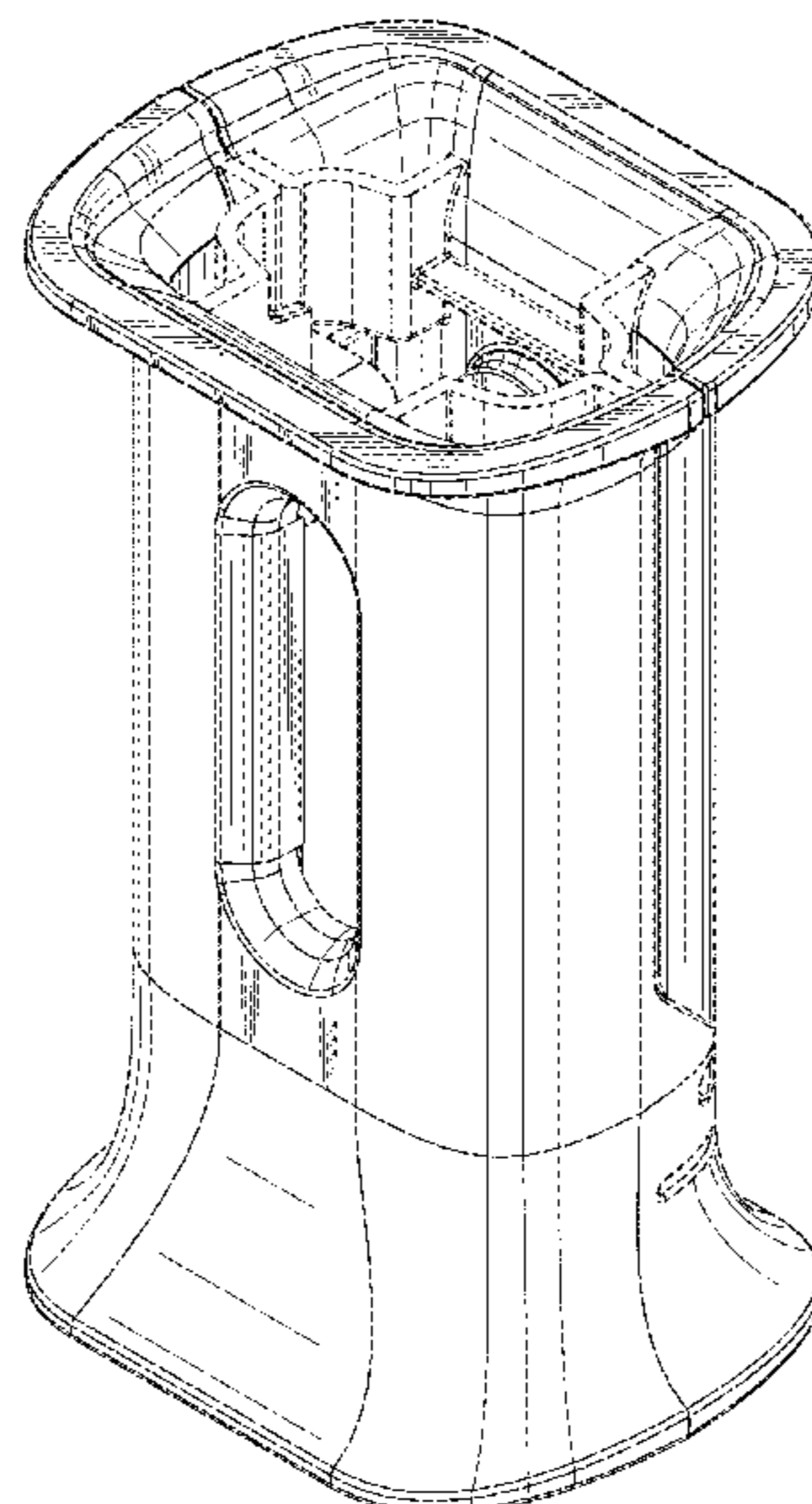
(57) **CLAIM**

The ornamental design of an injection device accessory, as  
shown and described.

**DESCRIPTION**

FIG. 1 is a perspective view from above and one side of an  
injection device accessory showing our new design;  
FIG. 2 is a rear perspective view from below and the  
opposite side of FIG. 1,  
FIG. 3 is a front view thereof;  
FIG. 4 is a rear view thereof;  
FIG. 5 is a side view of thereof, the view of the opposite side  
corresponds;  
FIG. 6 is a top plan view thereof; and,  
FIG. 7 is a bottom plan view thereof.  
The portions shown in broken lines are unclaimed environ-  
ment, and form no part of the claimed design.

**1 Claim, 6 Drawing Sheets**



(56)

References Cited

U.S. PATENT DOCUMENTS

9,233,212 B2 1/2016 Holmqvist  
 9,242,050 B2 1/2016 Abry  
 9,339,610 B2 5/2016 Julian et al.  
 D784,526 S \* 4/2017 Grunhut ..... D24/127  
 D784,527 S \* 4/2017 Llewellyn-Hyde ..... D24/127  
 D785,163 S \* 4/2017 Nakamura ..... D24/114  
 D785,788 S \* 5/2017 Nguyen ..... D24/127  
 D787,664 S \* 5/2017 Grunhut ..... D24/127  
 9,656,026 B2 5/2017 Bostrom  
 9,931,474 B2 4/2018 Holmqvist  
 D819,805 S \* 6/2018 Knight ..... D24/114  
 10,022,503 B2 7/2018 Julian et al.  
 D849,935 S \* 5/2019 Rolfs ..... D24/112  
 2007/0239117 A1 \* 10/2007 Chelak ..... A61M 5/326  
 604/198  
 2008/0228147 A1 \* 9/2008 David-Hegerich ... A61M 5/326  
 604/198  
 2008/0269692 A1 10/2008 James et al.  
 2008/0300549 A1 \* 12/2008 Verespej ..... A61J 1/2096  
 604/198  
 2013/0085446 A1 \* 4/2013 Pellegrini ..... A61M 5/315  
 604/111  
 2014/0364805 A1 12/2014 Llewellyn-Hyde et al.  
 2015/0051578 A1 \* 2/2015 Herr ..... A61M 5/31585  
 604/506  
 2015/0196714 A1 \* 7/2015 Creaturo ..... A61M 5/3243  
 604/198  
 2015/0202379 A1 7/2015 Raday et al.  
 2015/0297833 A1 10/2015 Henderson et al.  
 2016/0184531 A1 6/2016 Schiller et al.  
 2017/0014578 A1 1/2017 Bunch  
 2017/0173270 A1 6/2017 Nakamura et al.  
 2017/0274152 A1 9/2017 Bostrom  
 2017/0354789 A1 12/2017 Bendek  
 2017/0361030 A1 12/2017 Moore

FOREIGN PATENT DOCUMENTS

EP 2361648 A1 8/2011  
 EP 2667914 A1 8/2012  
 EP 2667915 A1 8/2012  
 EP 2727617 5/2014

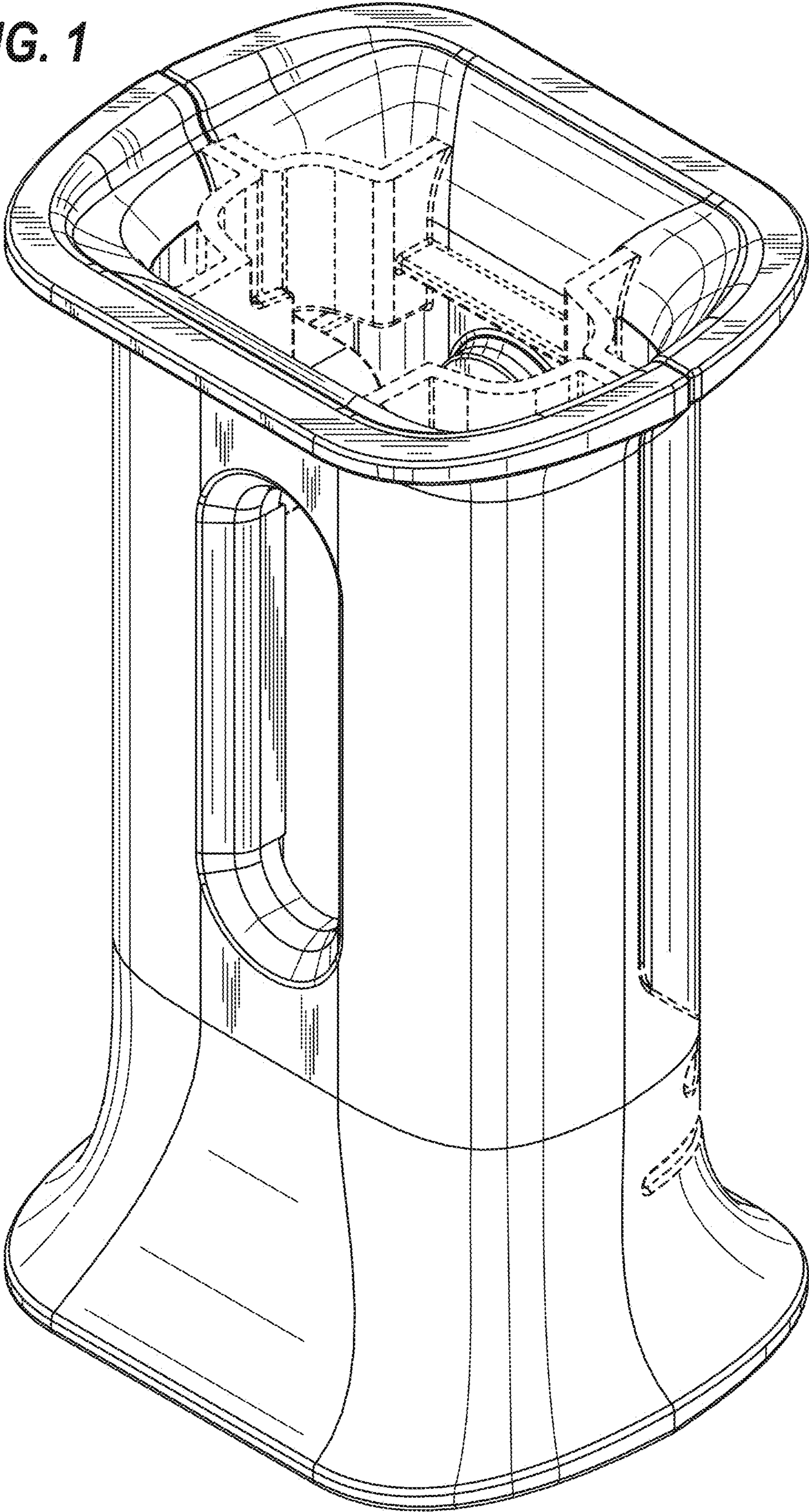
EP 2203204 B1 12/2014  
 EP 2923716 A1 9/2015  
 EP 3122403 A1 10/2015  
 EP 2768560 B1 9/2016  
 EP 2873431 B1 7/2017  
 EP 3241583 A1 11/2017  
 EP 3257536 A1 12/2017  
 EP 3257540 A1 12/2017  
 EP 2729203 B1 1/2018  
 FR 3025433 4/2016  
 GB 2563027 12/2018  
 GB 2563029 12/2018  
 JP 3143302 7/2008  
 JP 2011098133 5/2011  
 JP 5211167 6/2013  
 JP 5216859 6/2013  
 JP 2015208567 11/2015  
 JP 5968914 8/2016  
 JP 6200558 9/2017  
 JP 2017221731 12/2017  
 JP 2018196649 12/2018  
 WO WO 2009040601 4/2009  
 WO WO 2009040603 4/2009  
 WO WO 2012101629 8/2012  
 WO WO 2012103140 8/2012  
 WO WO 2013006119 1/2013  
 WO WO 2013058697 4/2013  
 WO WO 2014/072237 5/2014  
 WO WO 2014/144096 9/2014  
 WO WO 2015/122884 8/2015  
 WO WO 2015144871 10/2015  
 WO WO 2017/089283 6/2017  
 WO WO 2017089264 6/2017  
 WO WO 2017089266 6/2017  
 WO WO 2017/179638 10/2017

OTHER PUBLICATIONS

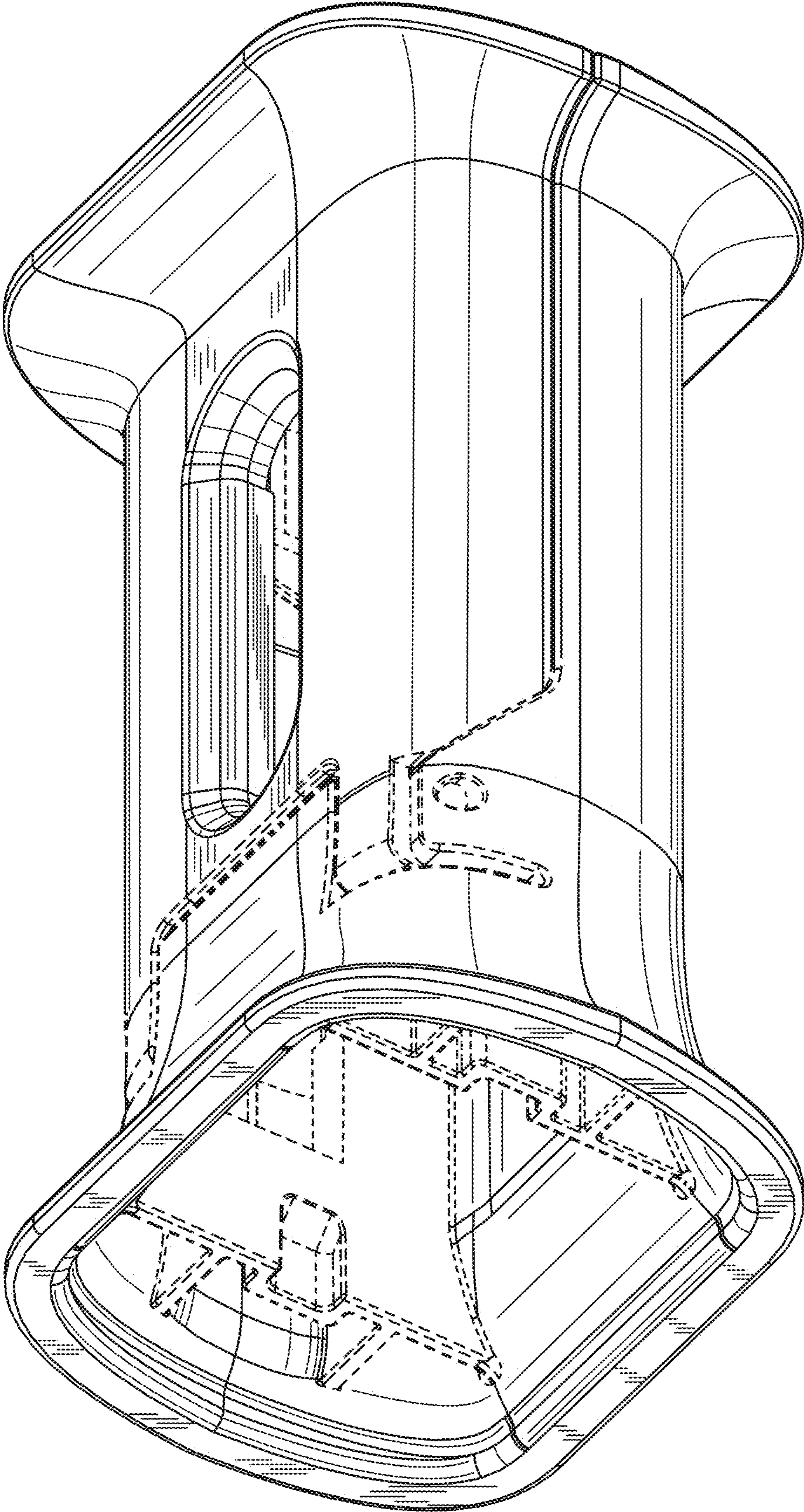
International Search Report dated May 6, 2020; International Application No. PCT/IB2019/060975.  
 International Search Report dated Mar. 3, 2020; International Application No. PCT/IB2019/060976.  
 International Search Report dated May 7, 2020; International Application No. PCT/IB2019/060980.

\* cited by examiner

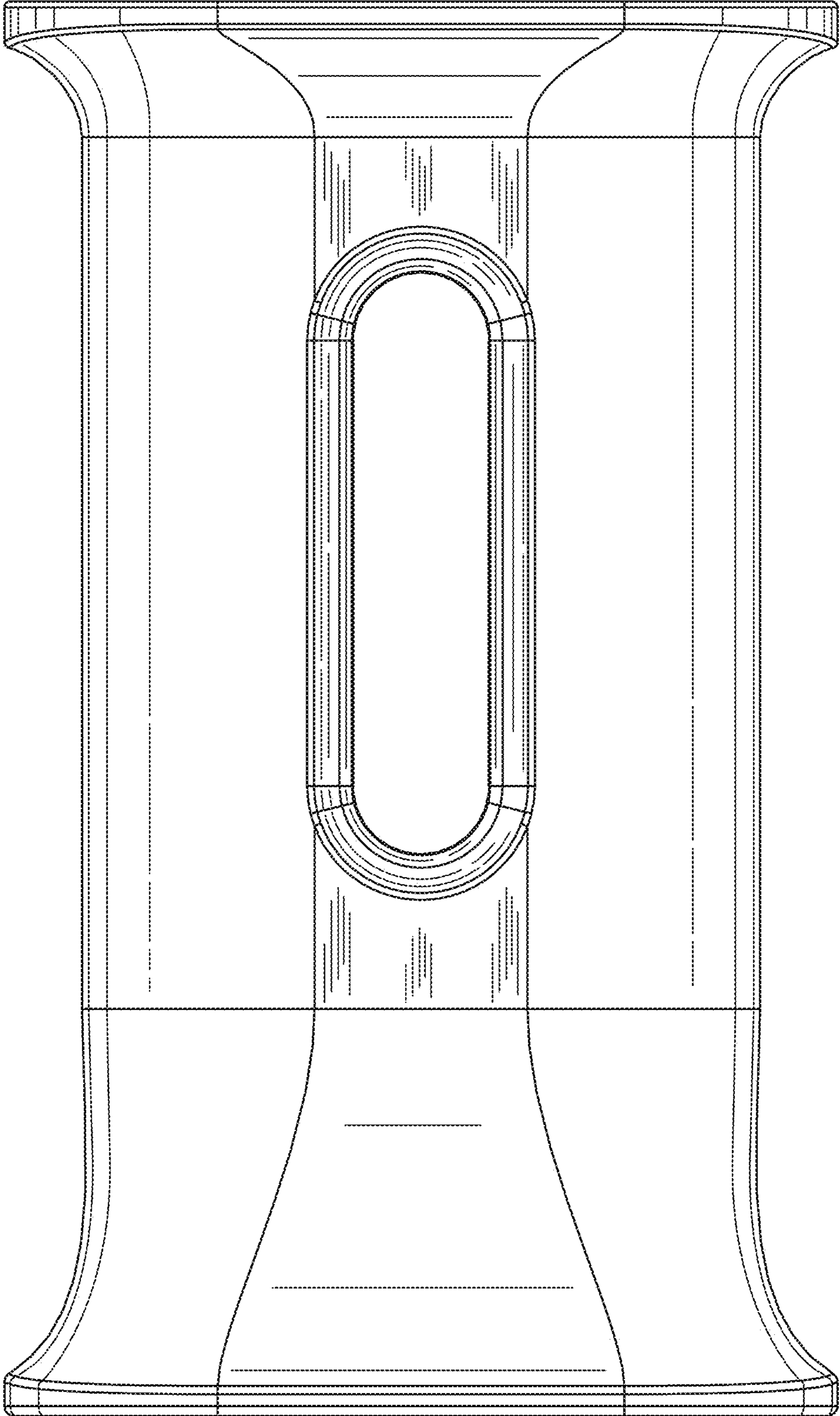
**FIG. 1**



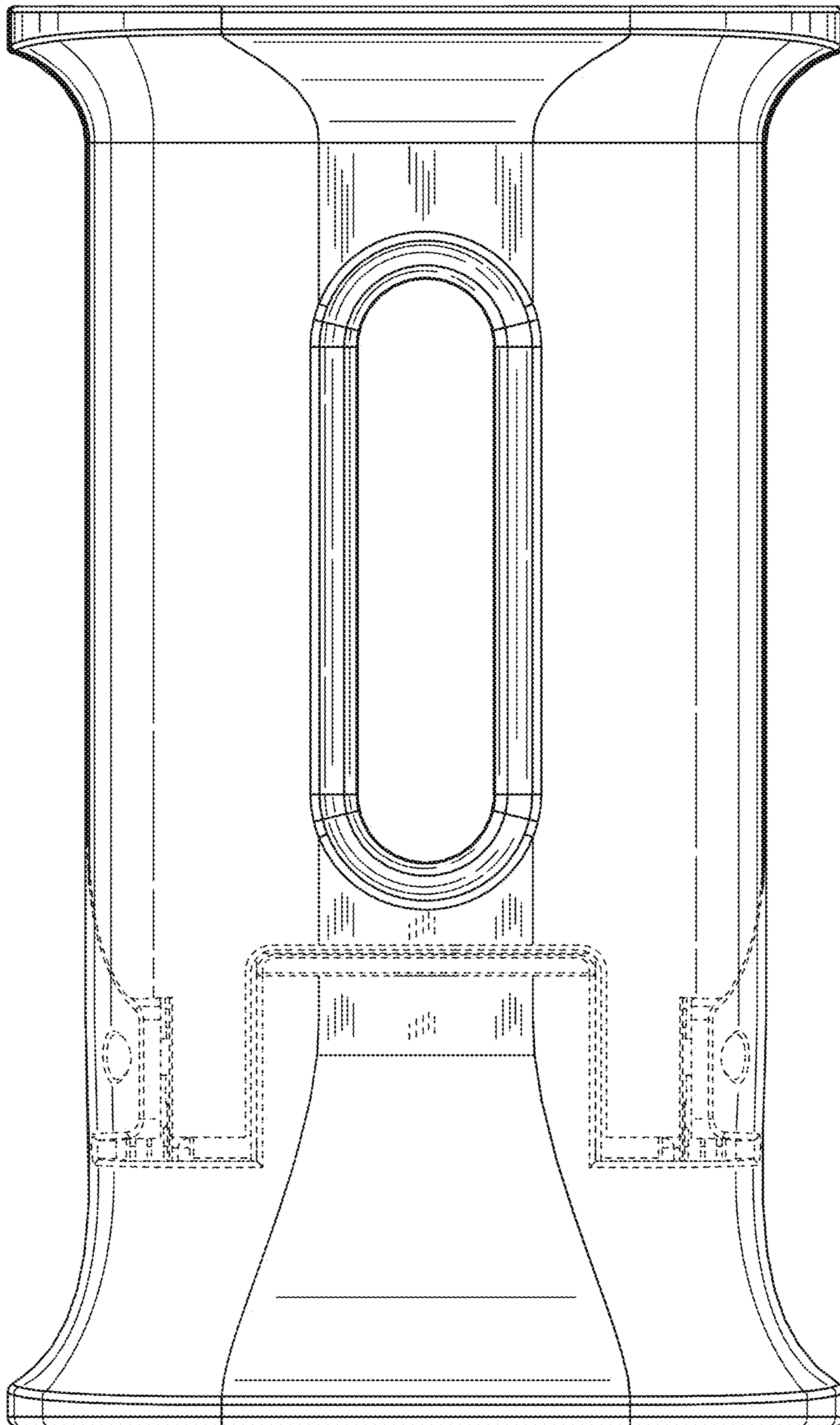
**FIG. 2**



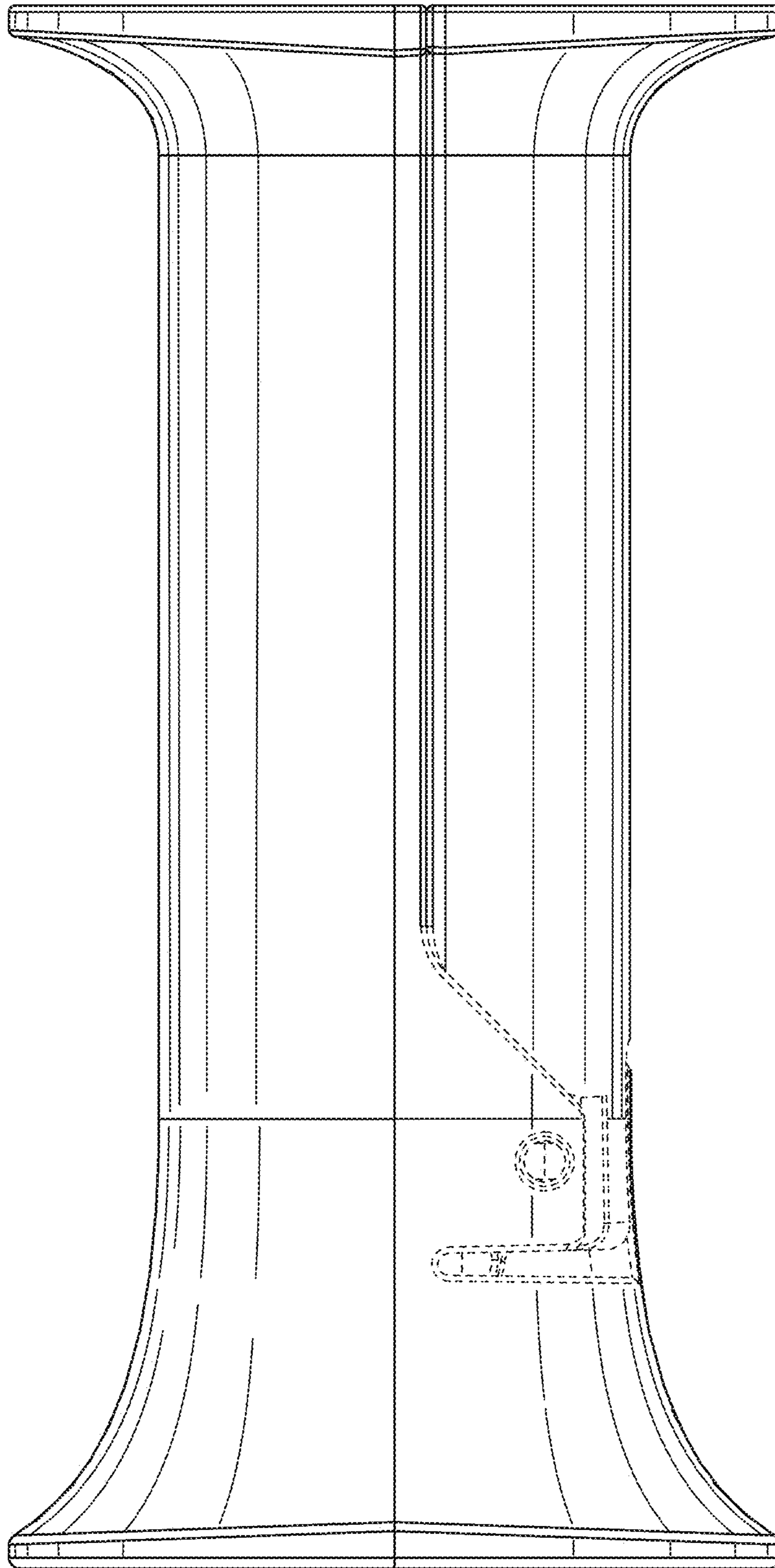
**FIG. 3**



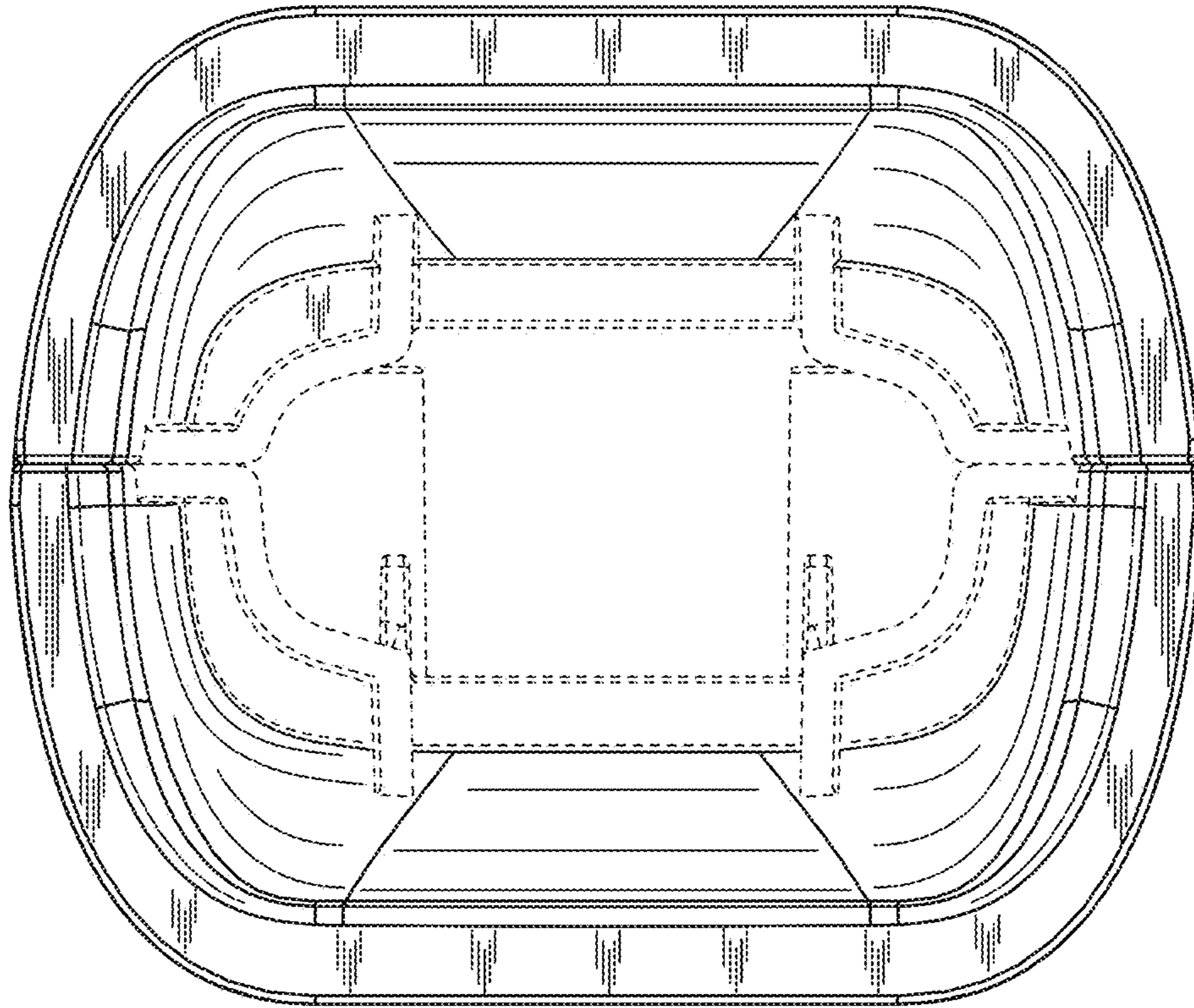
**FIG. 4**



**FIG. 5**



**FIG. 6**



**FIG. 7**

