



US00D958329S

(12) **United States Design Patent** (10) **Patent No.:** **US D958,329 S**  
**Bourelle et al.** (45) **Date of Patent:** **\*\* Jul. 19, 2022**

(54) **HANDHELD DRUG DELIVERY DEVICE**

(71) Applicant: **AMGEN INC.**, Thousand Oaks, CA (US)

(72) Inventors: **Dylan Bourelle**, Woodland Hills, CA (US); **Eric Ang-Schmid**, Thousand Oaks, CA (US); **Jakob Halkjaer Pedersen**, Virum (DK); **Joshua Jay Dudman**, Copenhagen (DK)

(73) Assignee: **AMGEN INC.**, Thousand Oaks, CA (US)

(\*\*) Term: **15 Years**

(21) Appl. No.: **29/726,050**

(22) Filed: **Feb. 28, 2020**

(51) **LOC (13) Cl.** ..... **24-02**

(52) **U.S. Cl.**  
USPC ..... **D24/113**

(58) **Field of Classification Search**  
USPC ..... D24/104, 107, 112–114, 117–119, 127, 242/130, 133, 186; D8/107; 604/181, 604/187, 272

(Continued)

(56) **References Cited**

**U.S. PATENT DOCUMENTS**

D605,006 S \* 12/2009 Shiao ..... D8/107  
D678,514 S \* 3/2013 Foley ..... D24/114  
(Continued)

**FOREIGN PATENT DOCUMENTS**

EM D1634556 \* 6/2019  
JP D1691711 \* 8/2021

**OTHER PUBLICATIONS**

[30 Years in the Making—An Inside Perspective on the Emergence of Autoinjectors], available on ONdrugDelivery Magazine, Issue

101 (Oct. 2019), pp. 20-23, by McGowan M, published Oct. 2, 2019 [online], [site visited Dec. 7, 2021], Internet URL: <https://www.ondrugdelivery.com/wp-content/uploads/2019/09/101\_2019\_SHL\_article.pdf>. (Year: 2019).\*

*Primary Examiner* — Jonathan J Han  
*Assistant Examiner* — Amanda J Berlinski  
(74) *Attorney, Agent, or Firm* — Marshall, Gerstein & Borun LLP

(57) **CLAIM**

The ornamental design for a handheld drug delivery device, as shown and described.

**DESCRIPTION**

The patent or application file contains a least one drawing executed in color. Copies of this patent or patent application publication with color drawing(s) will be provided by the Office upon request and payment of the necessary fee.

FIG. 1 is a perspective view showing a new design for a handheld drug delivery device;

FIG. 2 is a front view of the handheld drug delivery device of FIG. 1;

FIG. 3 is a rear view of the handheld drug delivery device of FIG. 1;

FIG. 4 is a right-side view of the handheld drug delivery device of FIG. 1;

FIG. 5 is a left-side view of the handheld drug delivery device of FIG. 1;

FIG. 6 is a top view of the handheld drug delivery device of FIG. 1;

FIG. 7 is a bottom view of the handheld drug delivery device of FIG. 1;

FIG. 8 is a perspective view of the handheld drug delivery device of FIG. 1 with its cap removed;

FIG. 9 is a perspective view showing a second embodiment of the new design for a handheld drug delivery device;

FIG. 10 is a front view of the handheld drug delivery device of FIG. 9;

FIG. 11 is a rear view of the handheld drug delivery device of FIG. 9;

FIG. 12 is a right-side view of the handheld drug delivery device of FIG. 9;

FIG. 13 is a left-side view of the handheld drug delivery device of FIG. 9;

(Continued)

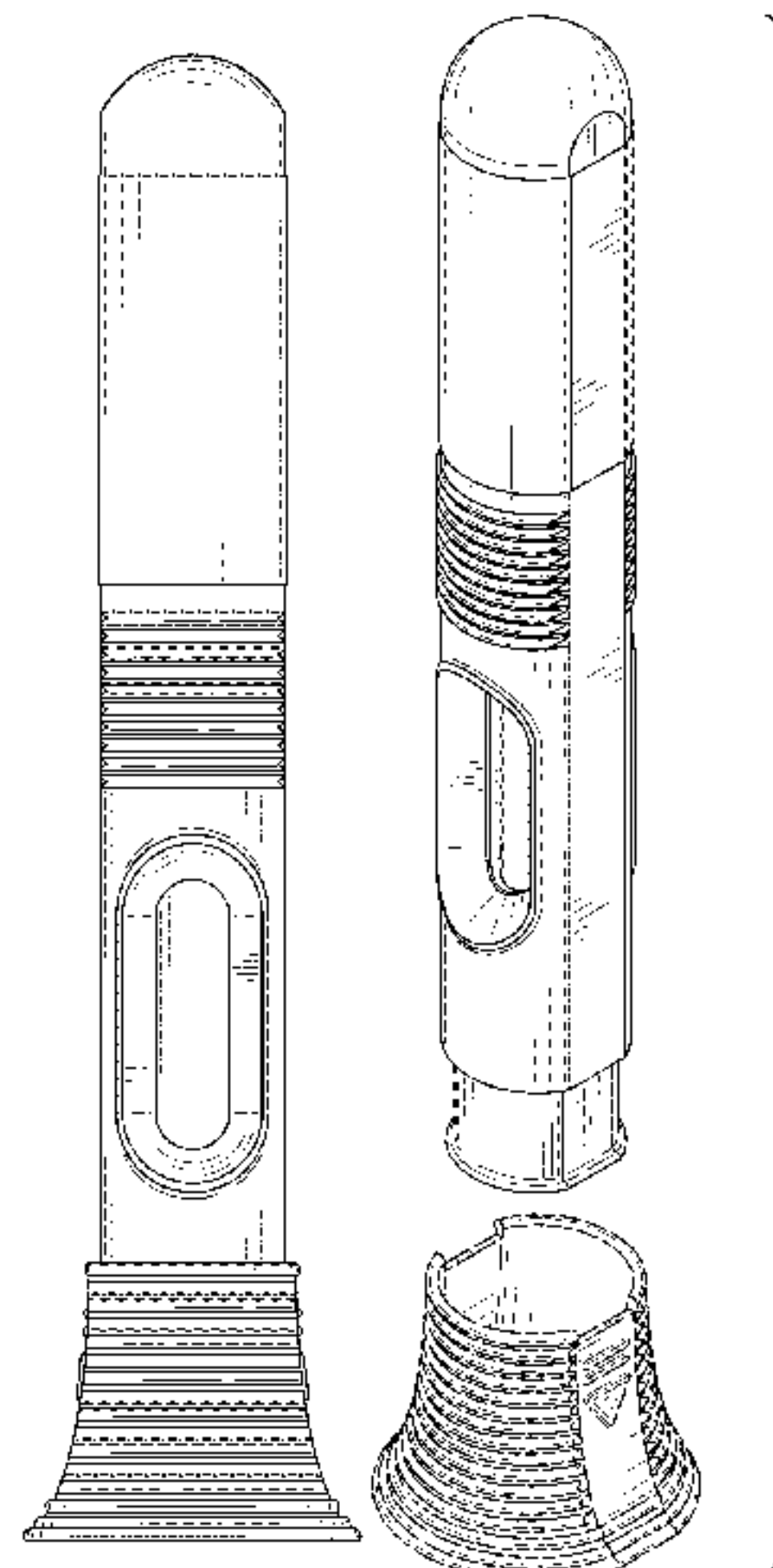


FIG. 14 is a top view of the handheld drug delivery device of FIG. 9;  
 FIG. 15 is a bottom view of the handheld drug delivery device of FIG. 9; and,  
 FIG. 16 is a perspective view of the handheld drug delivery device of FIG. 9 with its cap removed.

**1 Claim, 10 Drawing Sheets  
 (5 of 10 Drawing Sheet(s) Filed in Color)**

(58) **Field of Classification Search**

CPC ..... A61M 5/31535; A61M 2005/206; A61M 2005/208; A61M 2005/14268; A61M 2005/341; A61M 2209/045; A61M 5/1413; A61M 5/14244; A61M 5/14248; A61M 5/165; A61M 5/36; A61M 5/38; A61M 5/24

See application file for complete search history.

(56) **References Cited**

U.S. PATENT DOCUMENTS

D683,016 S \* 5/2013 Mirza ..... D24/112

D692,998 S \* 11/2013 Broberg ..... D24/108  
 D708,317 S \* 7/2014 Schneider ..... D24/113  
 D732,661 S \* 6/2015 Dubuc ..... D24/113  
 D758,567 S \* 6/2016 Wohlfahrt ..... D24/113  
 D802,751 S \* 11/2017 Ratjen ..... D24/113  
 D809,137 S \* 1/2018 Ratjen ..... D24/130  
 D810,282 S \* 2/2018 Ratjen ..... D24/113  
 D827,128 S \* 8/2018 Boyaval ..... D24/117  
 D831,822 S \* 10/2018 Guillermo ..... D24/112  
 10,335,553 B2 \* 7/2019 Bendek ..... A61M 5/3202  
 D866,751 S \* 11/2019 Rogge ..... D24/113  
 D867,588 S \* 11/2019 Rogge ..... D24/130  
 D878,563 S \* 3/2020 Clawson ..... D24/113  
 D892,311 S \* 8/2020 Nicholas ..... A61M 5/2033  
 D898,189 S \* 10/2020 Boyaval ..... D24/113  
 D917,064 S \* 4/2021 Ribeiro ..... D24/217  
 D922,566 S \* 6/2021 Ono ..... D24/112  
 D931,443 S \* 9/2021 Bainton ..... D24/130  
 2019/0328485 A1 \* 10/2019 Bauss ..... G16H 20/17  
 2021/0093789 A1 \* 4/2021 Plambech ..... A61M 5/3243  
 2021/0093796 A1 \* 4/2021 Finkelstein ..... A61M 5/2033  
 2021/0093799 A1 \* 4/2021 Perot ..... A61M 5/31571

\* cited by examiner

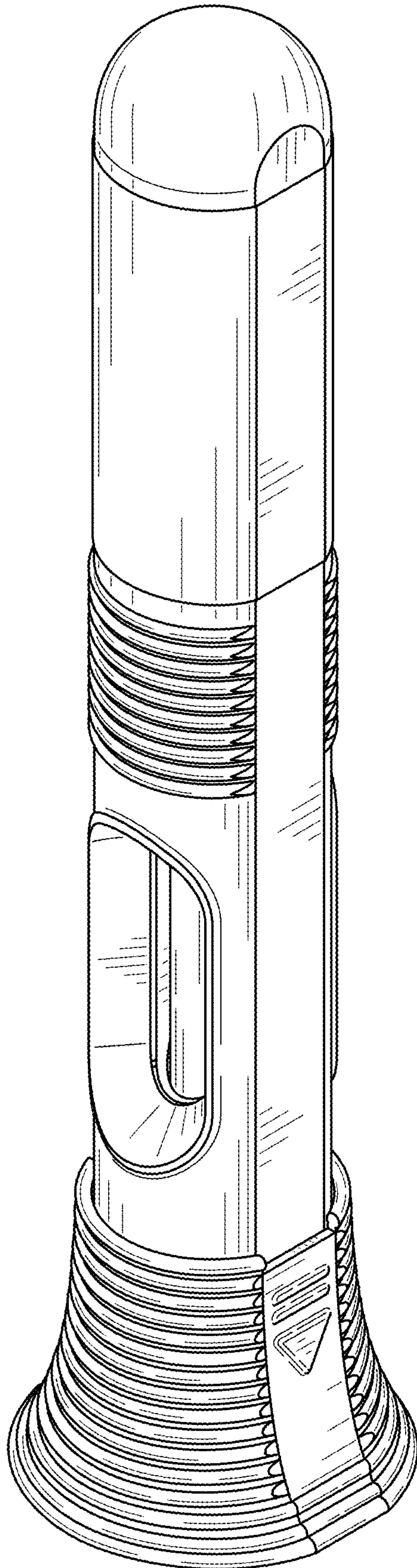


FIG. 1



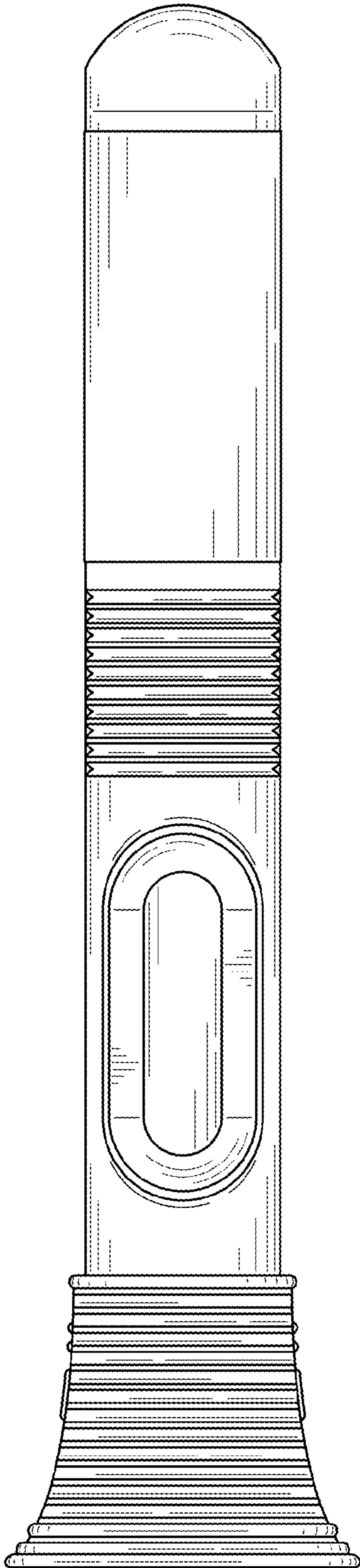


FIG. 2

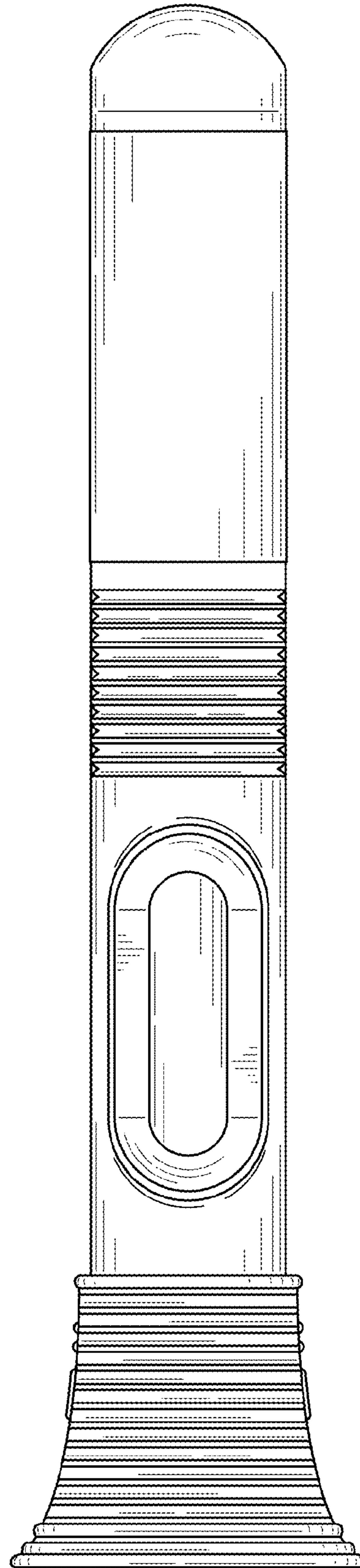


FIG. 3

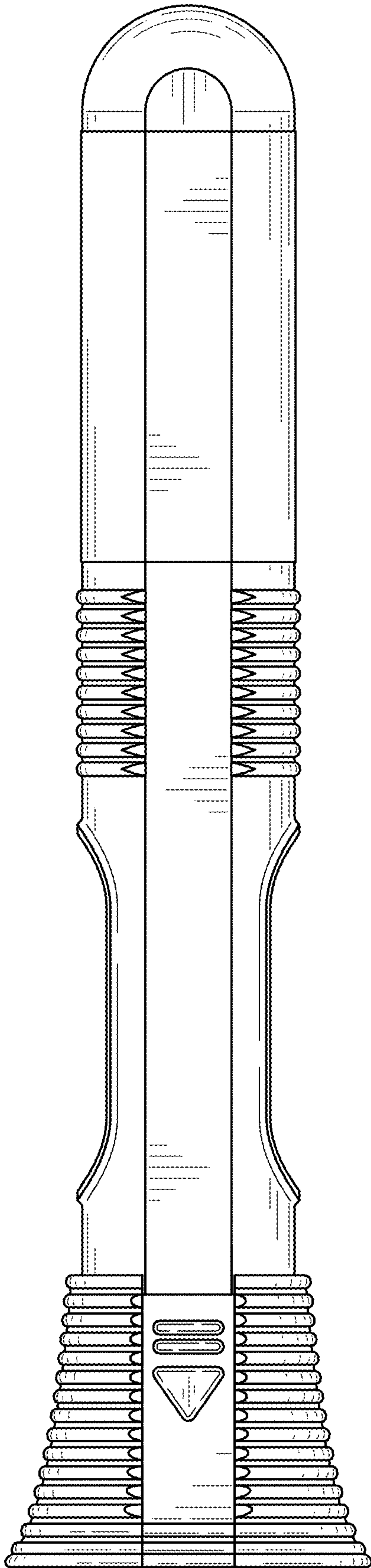


FIG. 4

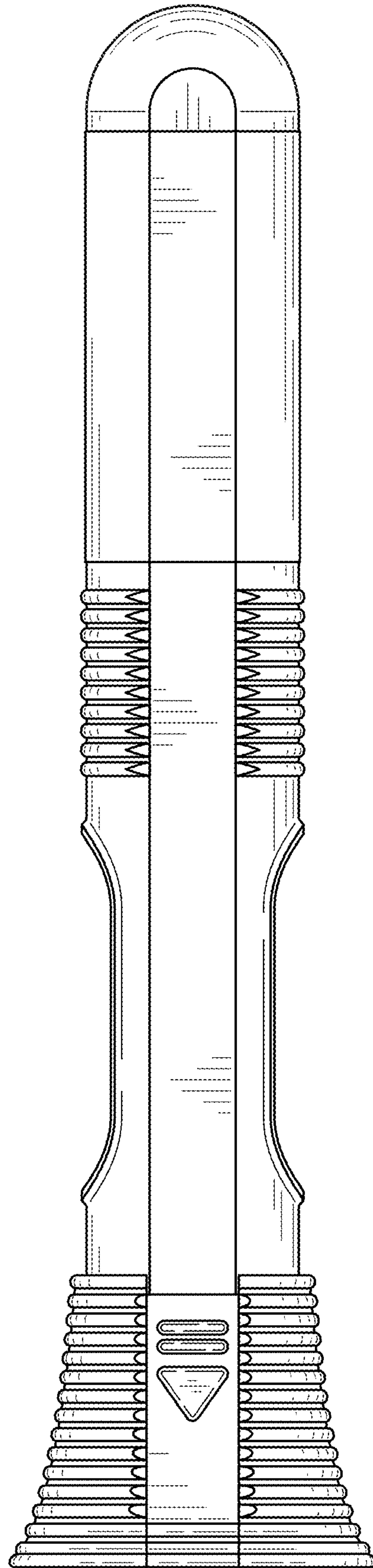


FIG. 5

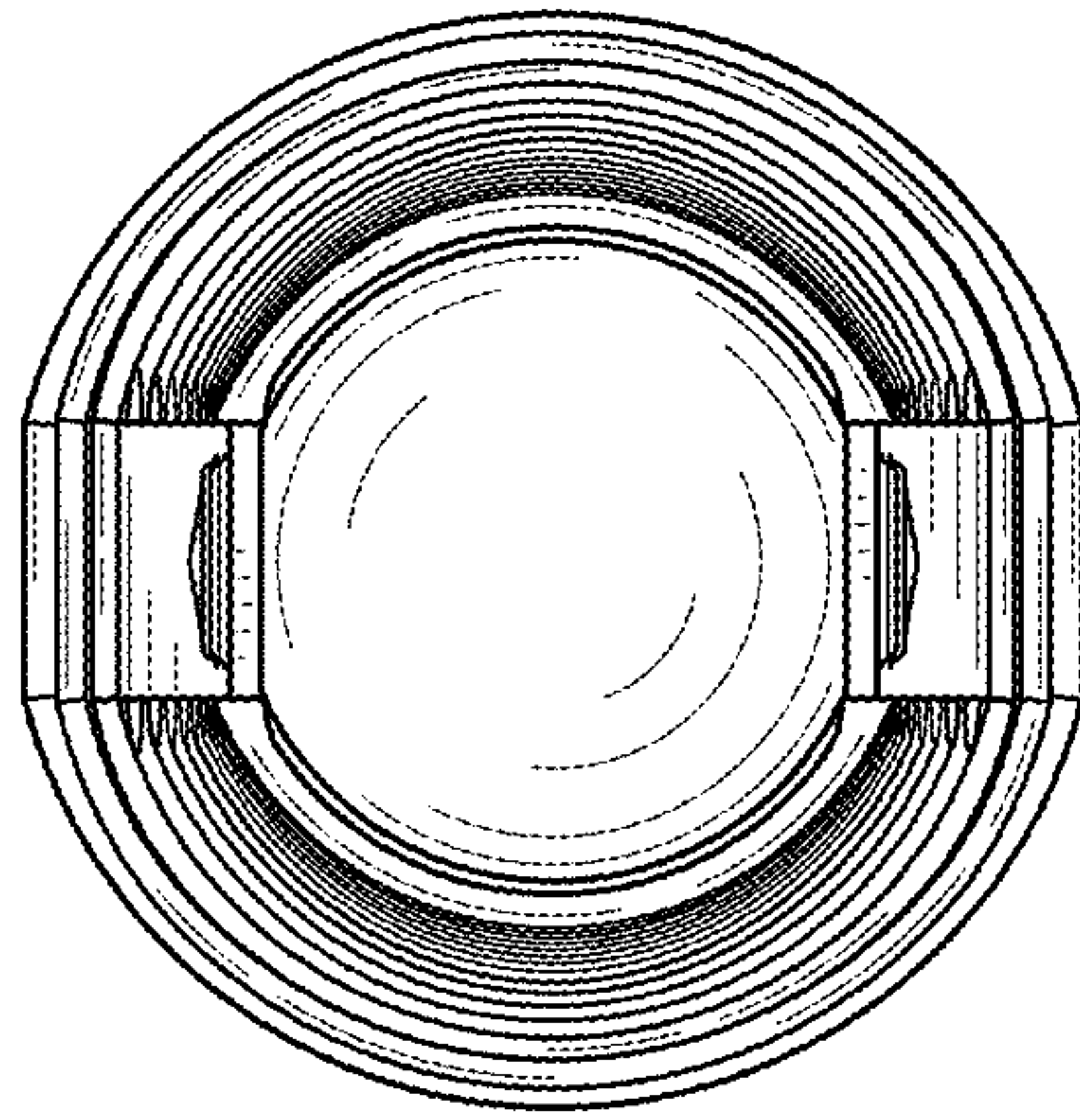


FIG. 6

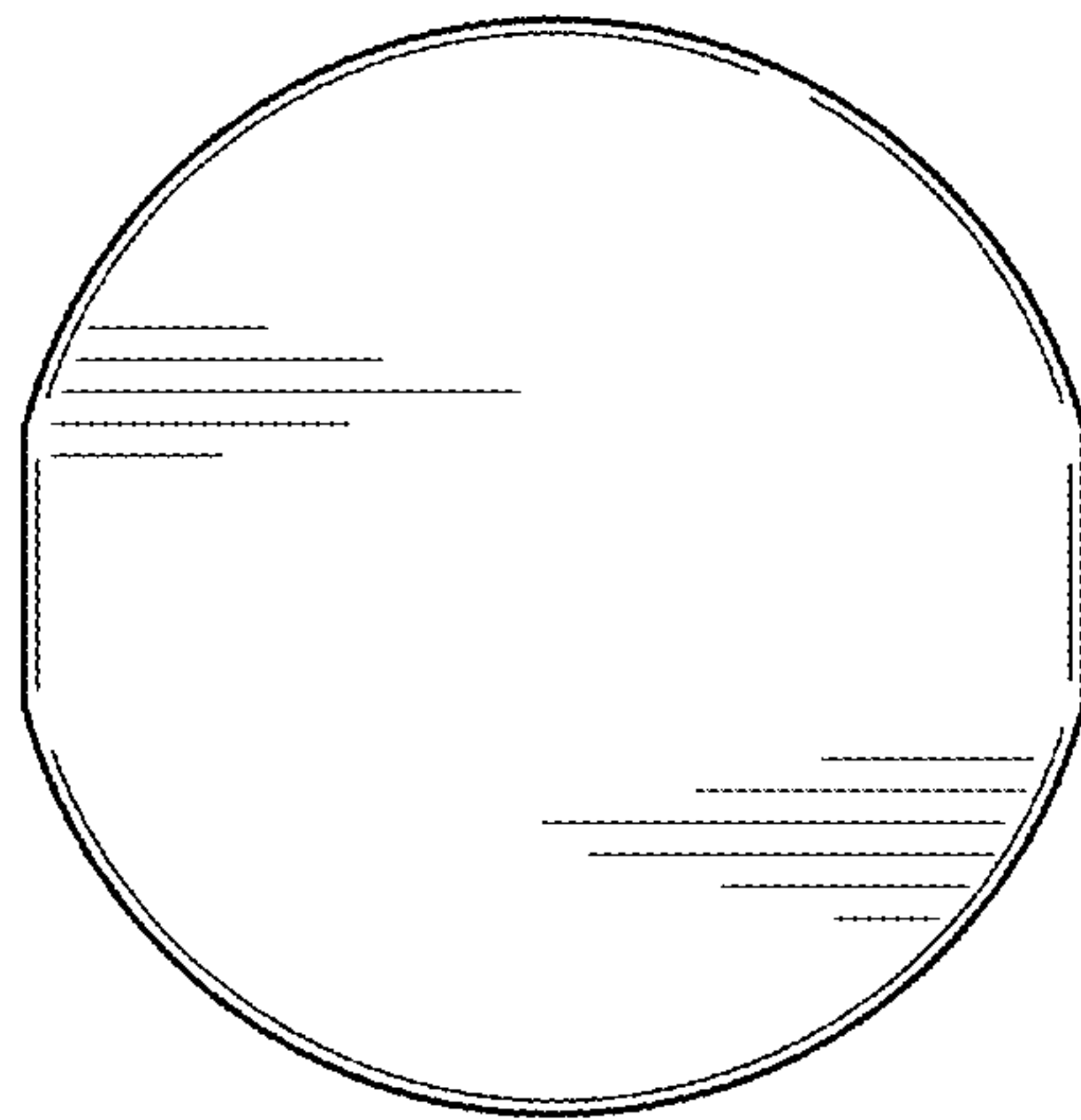


FIG. 7

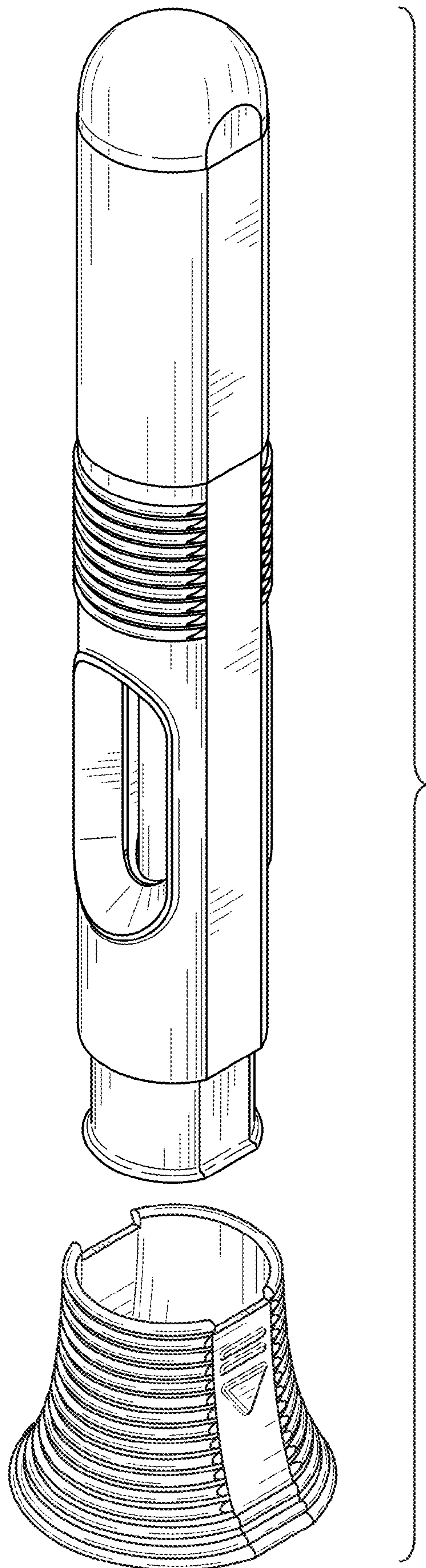


FIG. 8



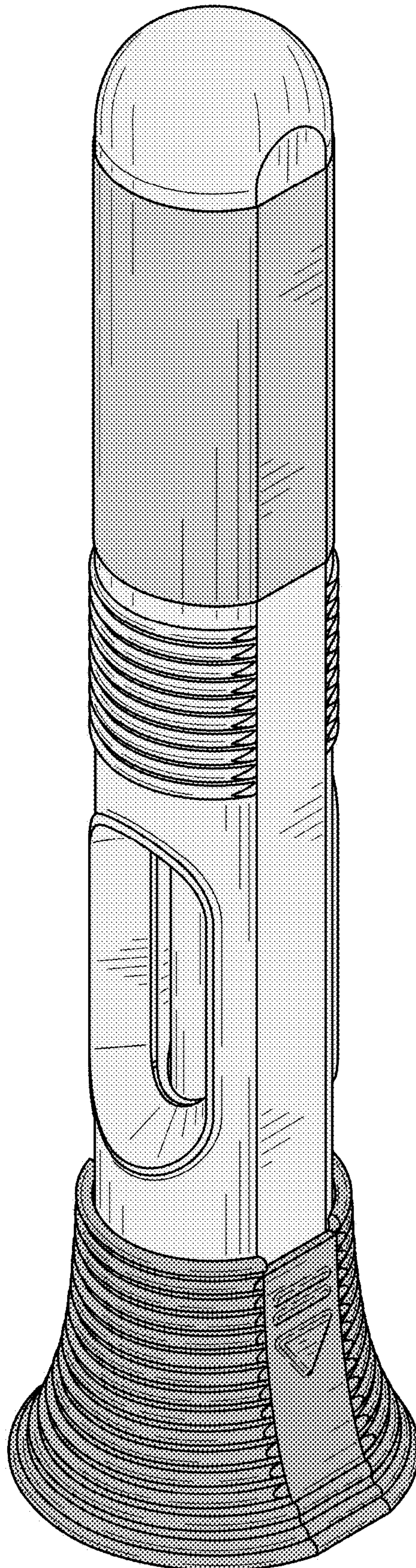


FIG. 9



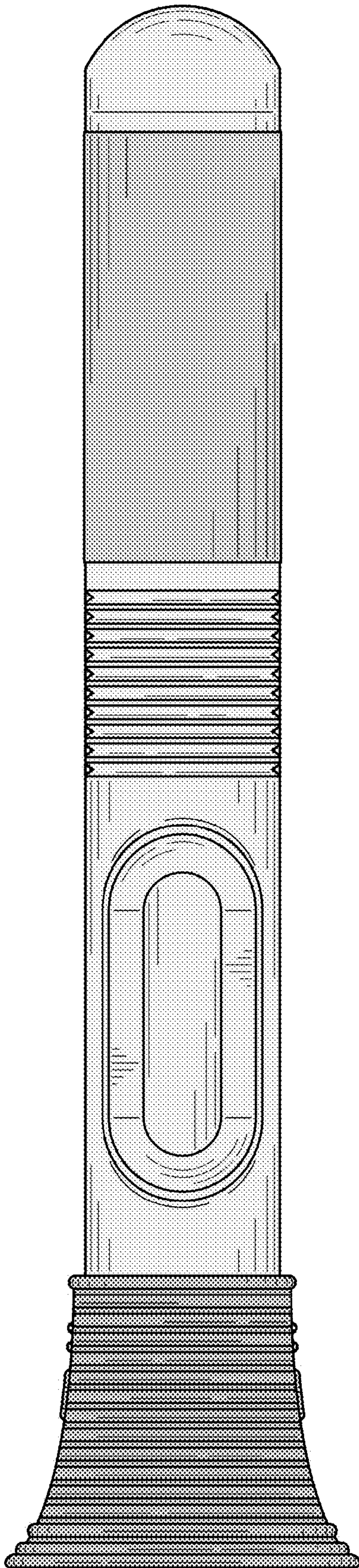


FIG. 10

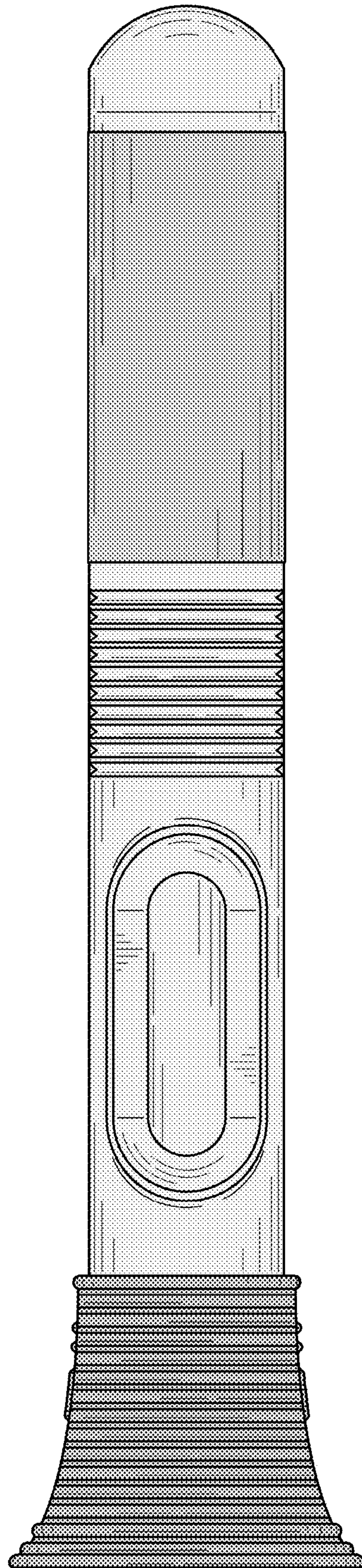


FIG. 11



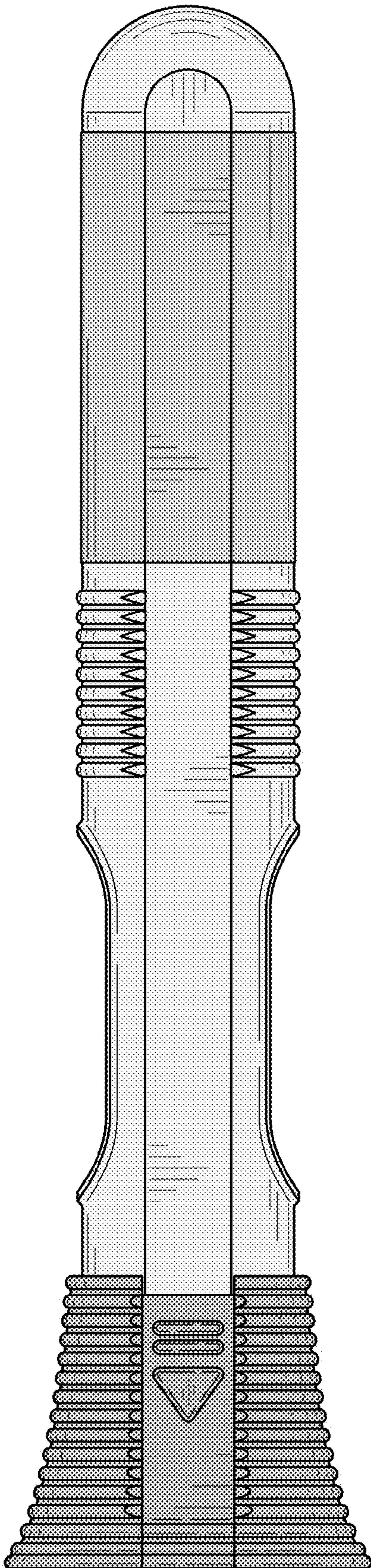


FIG. 12

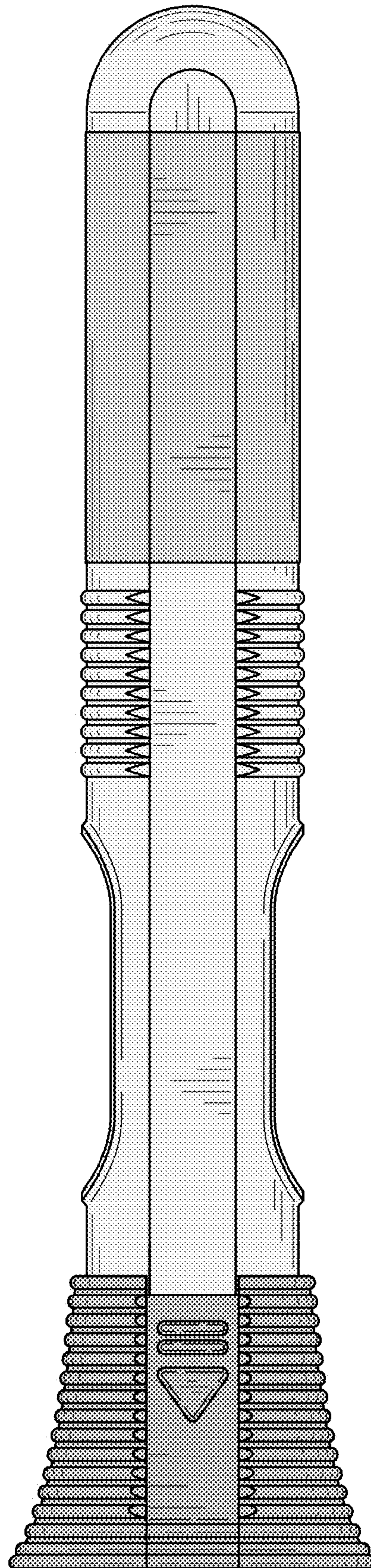


FIG. 13



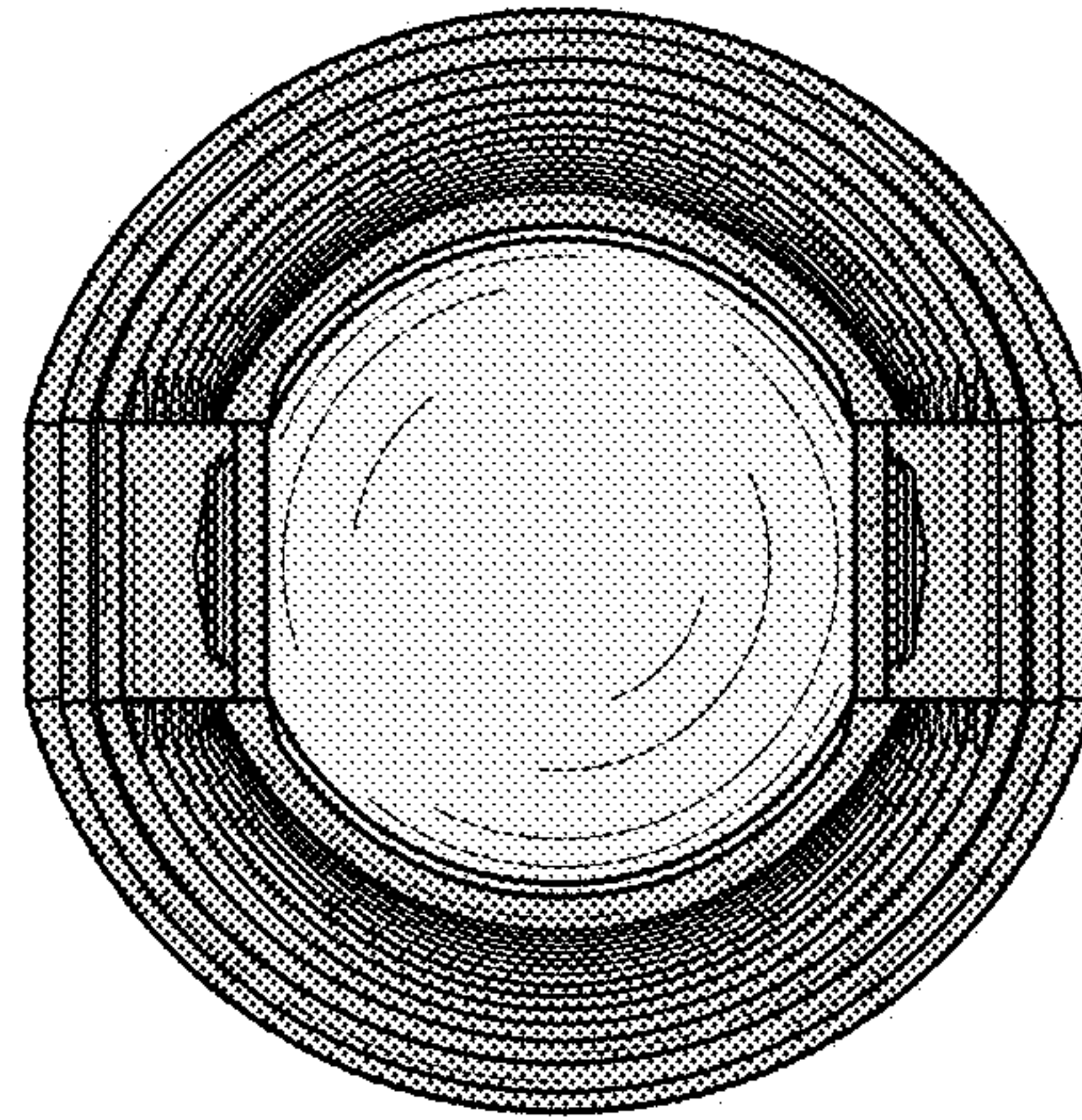


FIG. 14

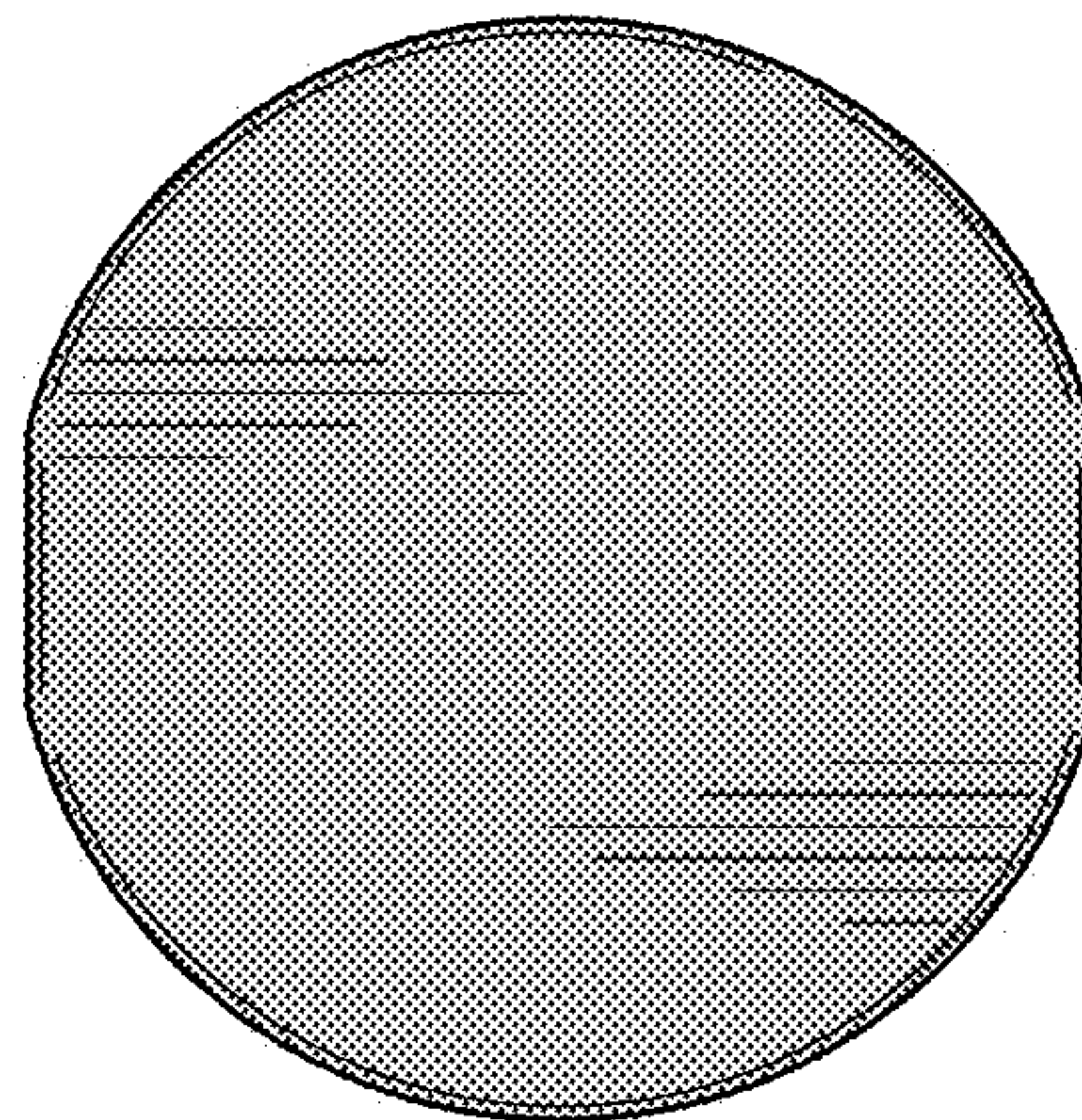


FIG. 15



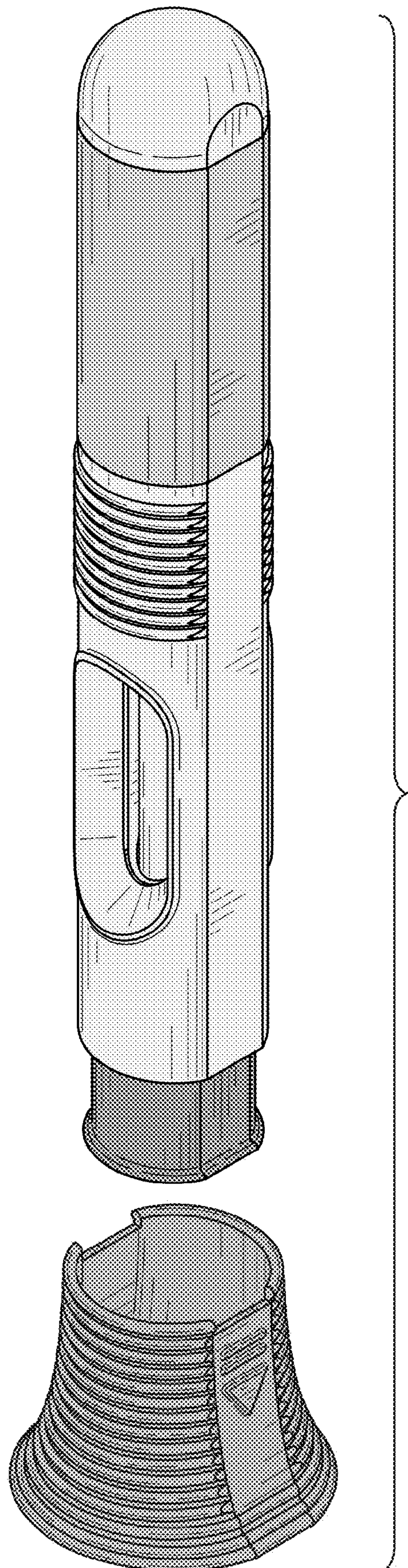


FIG. 16