



US00D958326S

(12) **United States Design Patent**
Sweeney et al.

(10) **Patent No.:** **US D958,326 S**
(45) **Date of Patent:** **** Jul. 19, 2022**

(54) **INTRAOSSSEOUS NEEDLE**
(71) Applicant: **Spinal Generations, LLC**, Mokena, IL (US)
(72) Inventors: **Patrick J. Sweeney**, Flossmoor, IL (US); **Matthew V. Leyden**, St. Paul, MN (US)
(73) Assignee: **Spinal Generations, LLC**, Mokena, IL (US)
(**) Term: **15 Years**

D205,309 S * 7/1966 Cline D8/382
4,016,703 A * 4/1977 Champoux F16B 4/004
403/404
D262,577 S * 1/1982 Anderson D24/112
D263,875 S 4/1982 Genese
D290,506 S * 6/1987 Weissman D24/156
D344,903 S * 3/1994 Gampp, Jr. A61F 2/28
D10/78
D347,382 S * 5/1994 Carruthers D8/382
D356,868 S * 3/1995 Broberg D24/156
D358,212 S * 5/1995 Sullivan D24/156
5,431,655 A 7/1995 Melker et al.
D363,755 S * 10/1995 Diederich D21/840
5,601,559 A 2/1997 Melker et al.

(Continued)

(21) Appl. No.: **29/735,446**
(22) Filed: **May 21, 2020**
(51) **LOC (13) Cl.** **24-02**
(52) **U.S. Cl.**
USPC **D24/112**
(58) **Field of Classification Search**
USPC D24/112-114, 115-116, 117-119, 127,
D24/130, 133, 146-148, 155-157;
D7/649; D8/52-60, 93, 97, 349, 382,
D8/387, 388, 390-393, 397, 399;
606/106, 108
CPC A61B 1/018; A61B 2017/2939; A61B
17/3472; A61B 17/3468; A61B 10/025;
A61B 17/864; A61B 17/8811; A61B
2010/0258; A61B 10/0233; A61B
17/32002; A61B 17/3476; A61B
2017/349; A61B 17/1671; A61B 17/7005;
A61B 17/7007; A61B 17/7032; A61F
2210/0038; A61F 5/566; A61F 2/4455;
A61M 2210/02
See application file for complete search history.

Primary Examiner — Jonathan J Han
Assistant Examiner — Amanda J Berlinski
(74) *Attorney, Agent, or Firm* — Foley & Larnder LLP

(57) **CLAIM**

We claim the ornamental design for an intrasosseous needle, as shown and described.

DESCRIPTION

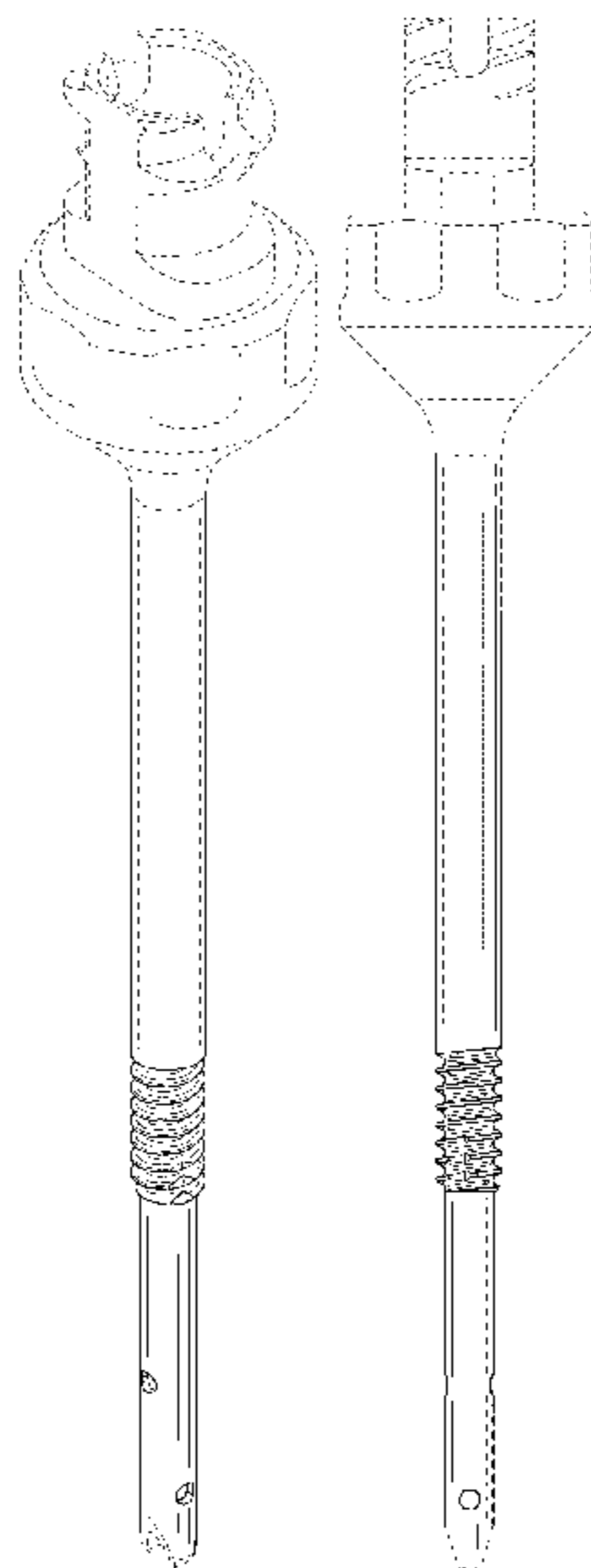
FIG. 1 is a top perspective view of the claimed design; FIG. 2 is a bottom perspective view of the claimed design of FIG. 1; FIG. 3 is a front elevation view of the claimed design of FIG. 1; FIG. 4 is a rear elevation view of the claimed design of FIG. 1; FIG. 5 is a right side view of the claimed design of FIG. 1; FIG. 6 is a left side view of the claimed design of FIG. 1; FIG. 7 is a top view of the claimed design of FIG. 1; and, FIG. 8 is a bottom view of the claimed design of FIG. 1. The broken lines shown in the figures depict portions of the intrasosseous needle that form no part of the claimed design.

(56) **References Cited**

U.S. PATENT DOCUMENTS

D24,855 S * 11/1895 Trapp D6/716
D30,319 S 3/1899 Senderling

1 Claim, 7 Drawing Sheets



(56)

References Cited

U.S. PATENT DOCUMENTS

5,662,615 A 9/1997 Blake, III
D401,135 S * 11/1998 Willert D8/387
D417,139 S 11/1999 Pitre
6,210,376 B1 * 4/2001 Grayson A61B 17/3472
604/264
6,280,424 B1 * 8/2001 Chang A61M 25/06
604/272
D449,887 S * 10/2001 Haberland D24/146
6,408,918 B1 6/2002 Hummell et al.
D469,871 S 2/2003 Sand
D518,178 S * 3/2006 Christiansen A61B 17/3472
D24/133
D611,511 S 3/2010 Anitua Aldecoa
7,744,635 B2 6/2010 Sweeney et al.
D620,108 S 7/2010 Eitenmueller et al.
D639,645 S 6/2011 Carrillo et al.
D640,785 S * 6/2011 Lee F16B 4/004
D24/112
8,062,270 B2 11/2011 Sweeney
8,684,967 B2 * 4/2014 Engel A61M 25/0023
604/129
D715,431 S 10/2014 Vonck et al.
8,858,583 B2 * 10/2014 Shtram A61B 5/15113
606/181
D727,499 S 4/2015 Schad et al.
D728,098 S 4/2015 Schad et al.
D728,099 S 4/2015 Schad et al.
D736,926 S 8/2015 Minnelli et al.
D737,443 S * 8/2015 Ciravolo D24/147
D737,973 S 9/2015 Nagele et al.
D740,420 S 10/2015 Spycher et al.
D744,649 S 12/2015 Brannon
D748,788 S 2/2016 Brannon
D749,217 S 2/2016 Brannon
D753,303 S 4/2016 Dannaher
D773,926 S 12/2016 Sweeney et al.
D778,443 S 2/2017 Brannon
9,615,863 B2 * 4/2017 Sweeney A61B 17/8855
D786,433 S 5/2017 Seaver et al.
D790,700 S 6/2017 Zhou et al.
D794,791 S 8/2017 Zhou et al.
D797,288 S 9/2017 Zhou et al.
D798,701 S 10/2017 Hill
D801,796 S 11/2017 Sweeney et al.
D802,763 S 11/2017 Sweitzer
D813,389 S 3/2018 Zhou et al.
D814,032 S 3/2018 Zhou et al.
D814,033 S 3/2018 Fuchs et al.

D818,812 S 5/2018 Schrawder
D828,148 S * 9/2018 Camilleri D8/387
D830,820 S 10/2018 Sweeney
D831,213 S 10/2018 Kuun
D831,475 S 10/2018 Sweeney et al.
D831,476 S 10/2018 Sweeney et al.
D835,977 S * 12/2018 Pastorino D8/387
D836,976 S 1/2019 Reese et al.
D854,403 S * 7/2019 Guo D8/382
D855,804 S 8/2019 Sweeney et al.
D856,509 S 8/2019 Lange et al.
D859,134 S * 9/2019 Iacono D8/382
D882,085 S 4/2020 Sweeney et al.
D885,874 S * 6/2020 Hsiao D8/387
10,667,923 B2 * 6/2020 Sullivan A61B 17/7055
D932,291 S * 10/2021 Grondal D8/382
D935,876 S * 11/2021 Lanois D8/387
2004/0260200 A1 * 12/2004 Morello A61B 10/0233
600/566
2005/0277923 A1 12/2005 Sweeney
2006/0047254 A1 * 3/2006 Akahoshi A61F 9/00745
604/272
2006/0211992 A1 * 9/2006 Prosek A61B 17/3421
604/167.06
2008/0172012 A1 * 7/2008 Hiniduma-Lokuge .. B21G 1/08
604/272
2009/0092462 A1 4/2009 Pratt
2009/0270817 A1 * 10/2009 Moreno A61B 17/3462
604/264
2010/0168684 A1 * 7/2010 Ryan A61B 17/3403
604/272
2012/0316513 A1 * 12/2012 Sharkey A61F 2/28
604/256
2013/0144344 A1 * 6/2013 Giancola A61B 17/742
606/304
2013/0261650 A1 * 10/2013 Hanson A61B 17/8816
606/185
2014/0276205 A1 9/2014 Miller et al.
2016/0022340 A1 * 1/2016 Wayne A61B 17/8625
606/304
2016/0296260 A1 * 10/2016 Venturini A61B 17/725
2019/0105178 A1 * 4/2019 May A61F 2/4455
2019/0125409 A1 * 5/2019 Bohl A61B 17/864
2019/0184097 A1 6/2019 Sweeney et al.
2020/0038646 A1 * 2/2020 Sweeney A61B 17/864
2020/0100822 A1 * 4/2020 Lipow A61B 17/864
2021/0145495 A1 * 5/2021 O'Brien A61B 17/863
2021/0153911 A1 * 5/2021 Stuart A61B 17/863
2021/0177477 A1 * 6/2021 Vaghela A61B 17/864
2021/0315611 A1 * 10/2021 Sweeney A61B 17/3472

* cited by examiner

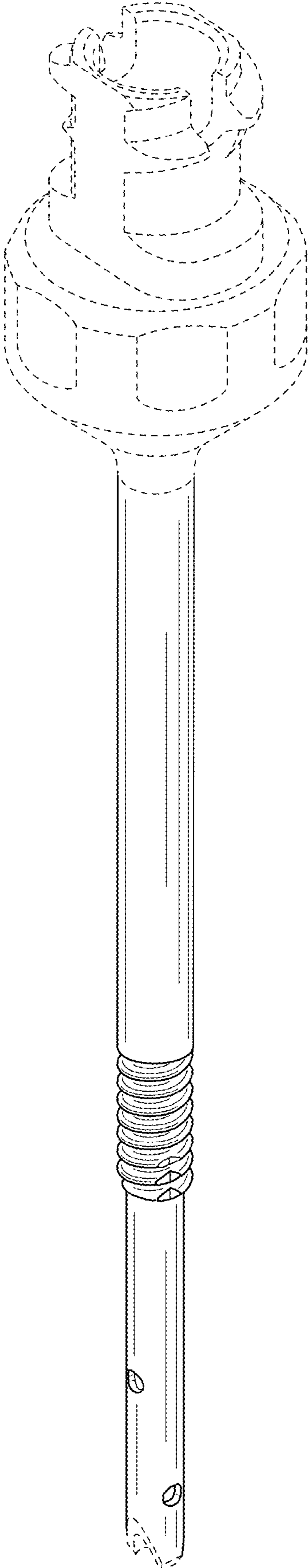


FIG. 1

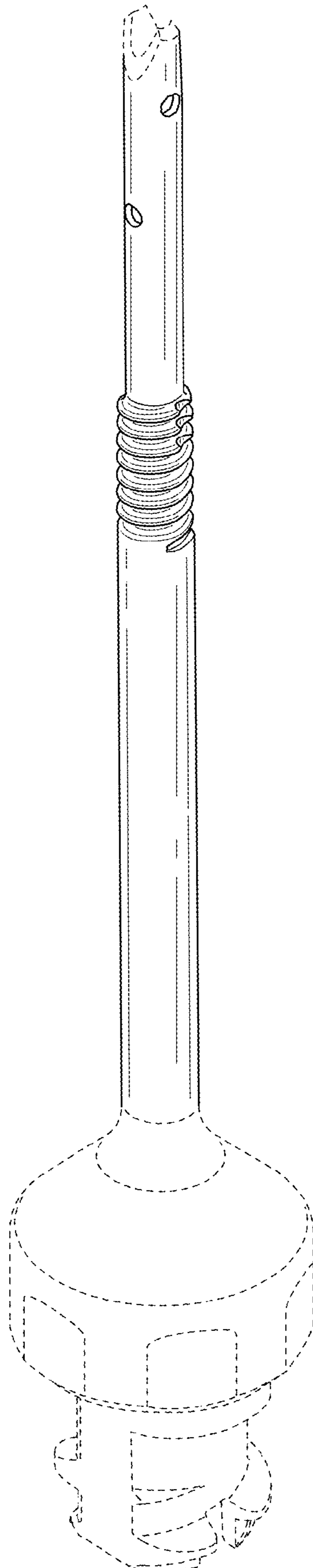


FIG. 2

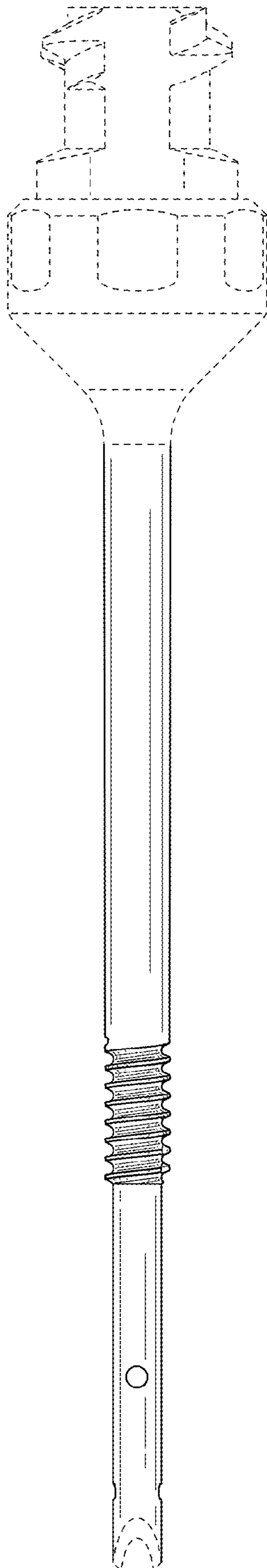


FIG. 3

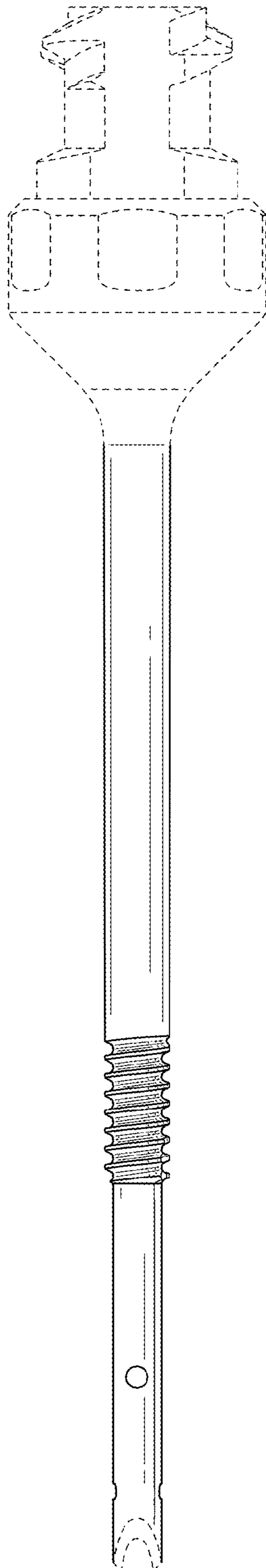


FIG. 4

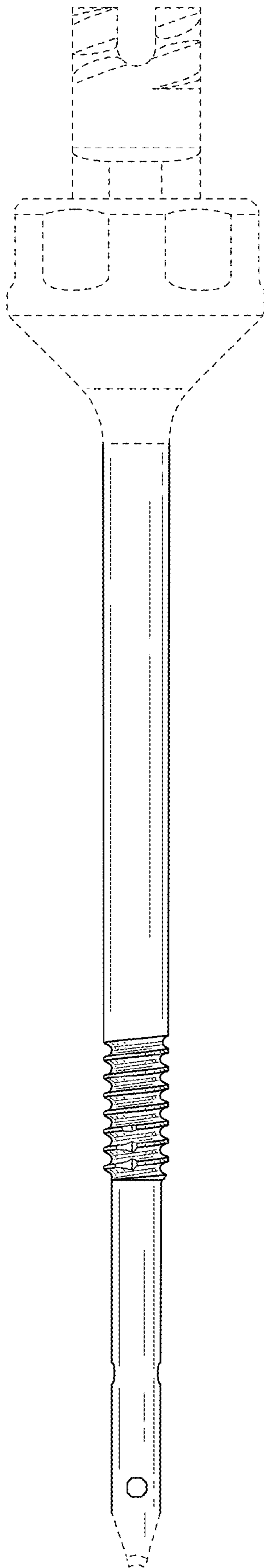


FIG. 5

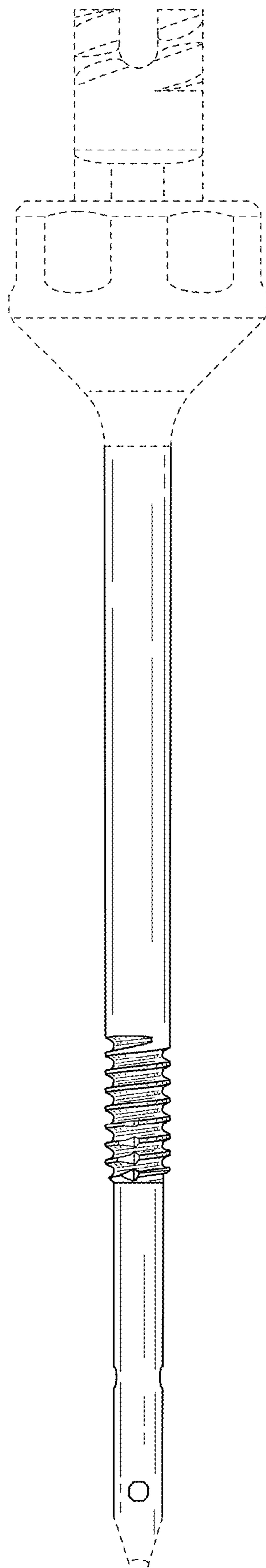


FIG. 6

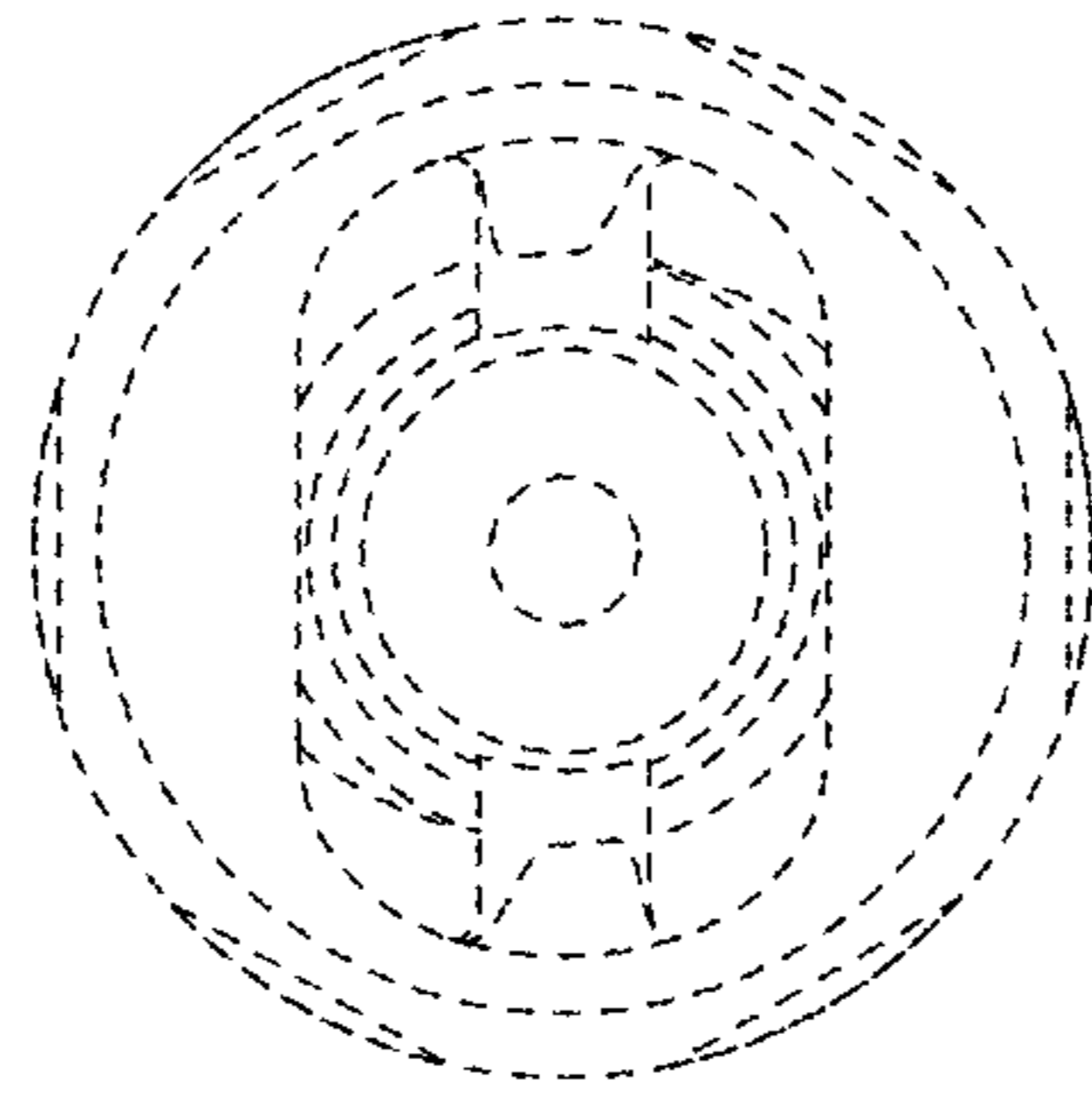


FIG. 7

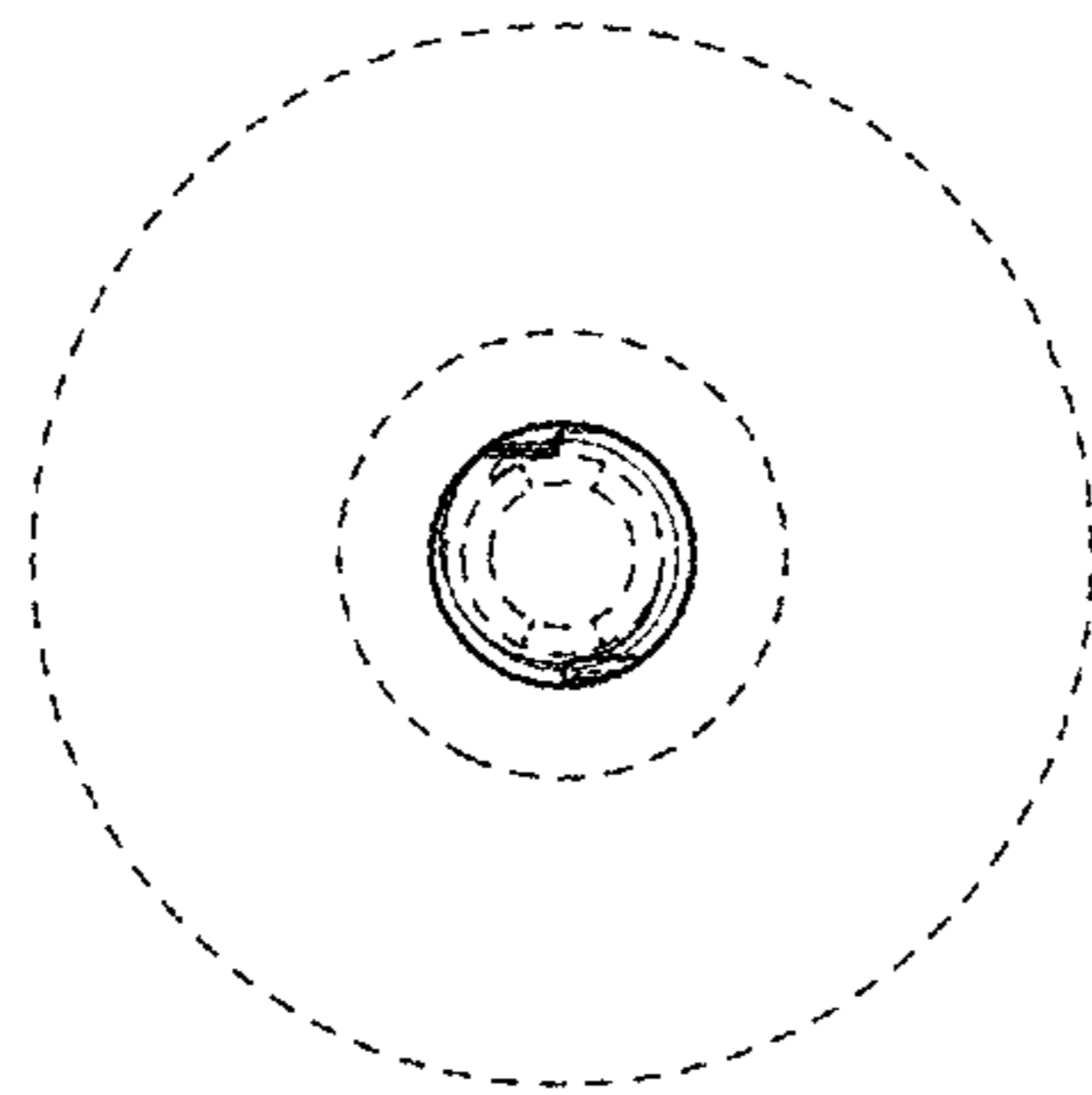


FIG. 8