



US00D958324S

(12) **United States Design Patent**
Koller, III et al.

(10) **Patent No.:** **US D958,324 S**
(45) **Date of Patent:** **** Jul. 19, 2022**

(54) **CLEAR FACE MASK**

- (71) Applicant: **KOLLER ENTERPRISES, INC.**,
Fenton, MO (US)
- (72) Inventors: **Alois Koller, III**, Chesterfield, MO
(US); **Thomas Atteberry, III**, Fenton,
MO (US); **Pat Mahon**, Chesterfield,
MO (US); **John Schneider**, Wildwood,
MO (US)
- (73) Assignee: **KOLLER ENTERPRISES, INC.**,
Fenton, MO (US)

(**) Term: **15 Years**

(21) Appl. No.: **29/746,999**

(22) Filed: **Aug. 19, 2020**

(51) **LOC (13) Cl.** **29-02**

(52) **U.S. Cl.**
USPC **D24/110.1; D29/108**

(58) **Field of Classification Search**
USPC D24/110, 110.1–110.6; D29/108, 110;
D16/312
CPC . A41D 13/11; A41D 13/1107; A41D 13/1115;
A41D 13/1123; A41D 13/113; A41D
13/1138; A41D 13/1146; A41D 13/1153;
A41D 13/1161; A41D 13/1169; A41D
13/1176; A61M 16/06; A62B 18/00;
A62B 18/02; A62B 18/025; A62B 23/00
See application file for complete search history.

(56) **References Cited**

U.S. PATENT DOCUMENTS

- 2,281,181 A * 4/1942 Clarke A41D 13/1161
128/206.13
- D140,814 S * 4/1945 Eddy D24/110.2
- 4,323,063 A 4/1982 Fisticella
- 4,920,960 A 5/1990 Hubbard et al.
- D309,962 S * 8/1990 Ebeling D24/110.1
- D327,696 S * 7/1992 Bolle D16/312

(Continued)

FOREIGN PATENT DOCUMENTS

- CA 2969700 * 1/2018 A41D 13/11
- CN 306789109 * 8/2021

(Continued)

OTHER PUBLICATIONS

NPR Demand Surges (available [online] Jul. 28, 2020) Retrieved
from the internet Feb. 3, 2022 from URL: <https://www.npr.org/sections/health-shots/2020/07/28/893071631/demand-surges-for-see-through-face-masks-as-pandemic-swells> (Year: 2020).*

(Continued)

Primary Examiner — Richard Kearney

Assistant Examiner — Michael Hoffman

(74) *Attorney, Agent, or Firm* — Stinson LLP

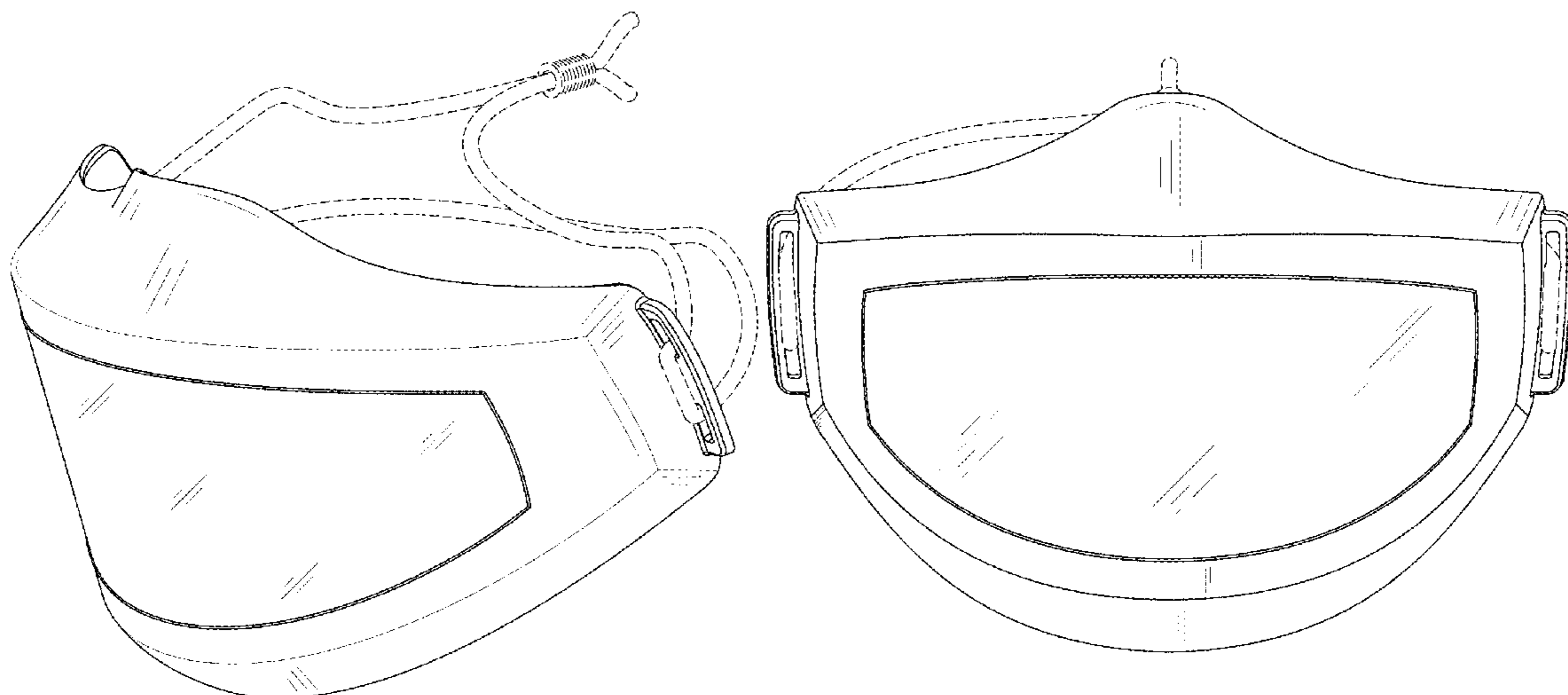
(57) **CLAIM**

The ornamental design for a clear face mask, as shown and
described.

DESCRIPTION

FIG. 1 is a front perspective view of the clear face mask;
FIG. 2 is a front elevational view of the clear face mask of
FIG. 1;
FIG. 3 is a top plan view of the clear face mask of FIG. 1;
FIG. 4 is a left side elevational view of the clear face mask
of FIG. 1;
FIG. 5 is a rear elevational view of the clear face mask of
FIG. 1;
FIG. 6 is a bottom plan view of the clear face mask of FIG.
1; and,
FIG. 7 is a right side elevational view of the clear face mask
of FIG. 1.
The broken lines shown represent unclaimed subject matter
and form no part of the claimed design.

1 Claim, 7 Drawing Sheets



(56)

References Cited

U.S. PATENT DOCUMENTS

D349,587 S * 8/1994 Woodward D24/110.2
 5,561,863 A 10/1996 Carlson
 6,185,740 B1 2/2001 Zegarelli et al.
 7,114,498 B1 10/2006 Nashed
 7,753,051 B2 7/2010 Burrow et al.
 7,802,572 B2 9/2010 Hahne
 8,336,549 B2 12/2012 Nashed
 8,826,905 B2 9/2014 Nashed
 8,826,909 B2 9/2014 Nashed
 9,010,330 B2 4/2015 Barlow et al.
 9,643,048 B1 5/2017 Danford
 9,737,678 B2 8/2017 Formica et al.
 9,802,079 B1 10/2017 Danford
 10,052,448 B2 8/2018 Barlow et al.
 10,441,738 B2 10/2019 Formica et al.
 10,449,317 B2 10/2019 Barlow et al.
 10,456,545 B2 10/2019 Barlow et al.
 10,537,696 B2 1/2020 Barlow et al.
 10,537,755 B2 1/2020 Parham et al.
 10,722,674 B2 7/2020 Nashed
 D908,205 S * 1/2021 Hwang D24/110.1
 11,129,424 B2 * 9/2021 Nishida G09F 9/301
 11,206,880 B1 * 12/2021 Naos A41D 13/1138
 2006/0174890 A1 * 8/2006 Cheng A41D 13/11
 128/206.19
 2015/0173436 A1 * 6/2015 Tsuei A41D 13/113
 2/424
 2015/0237931 A1 8/2015 Miller et al.
 2016/0901101 1/2016 Sabolis et al.

2016/0029716 A1* 2/2016 Duncan A41D 13/11
 128/863
 2017/0312468 A1 11/2017 Formica et al.
 2018/0078798 A1 3/2018 Fabian et al.
 2018/0318540 A1 11/2018 Barlow et al.
 2019/0069615 A1 3/2019 Lam et al.
 2020/0121005 A1 4/2020 Belousov et al.
 2021/0368874 A1* 12/2021 Eldibany A62B 23/025
 2022/0016298 A1* 1/2022 Harder A62B 18/025

FOREIGN PATENT DOCUMENTS

EM 008006274-0001 * 6/2020
 EP 3922119 * 12/2021 A41D 13/11
 GB 6097665 * 8/2020
 KR 20210002823 * 12/2021
 WO WO 1996/10343 4/1996
 WO WO 2014/189364 A1 11/2014

OTHER PUBLICATIONS

No Brand (available [online]) Retrieved from the internet Feb. 10, 2022 from URL: <https://www.msdirect.com/product/details/14868889> (Year: 2022).*
 Deluxemask (available [online]) Retrieved from the internet Feb. 3, 2022 from URL: <https://www.etsy.com/listing/970478940/transparent-clear-window-mask-anti-fog> (Year: 2022).*
 ClearMask (available [online]) Retrieved from the internet Feb. 10, 2022 from URL: <https://buy.theclearmask.com/products/clearmask-case-medical?variant=39589672386629> (Year: 2022).*

* cited by examiner

FIG. 1

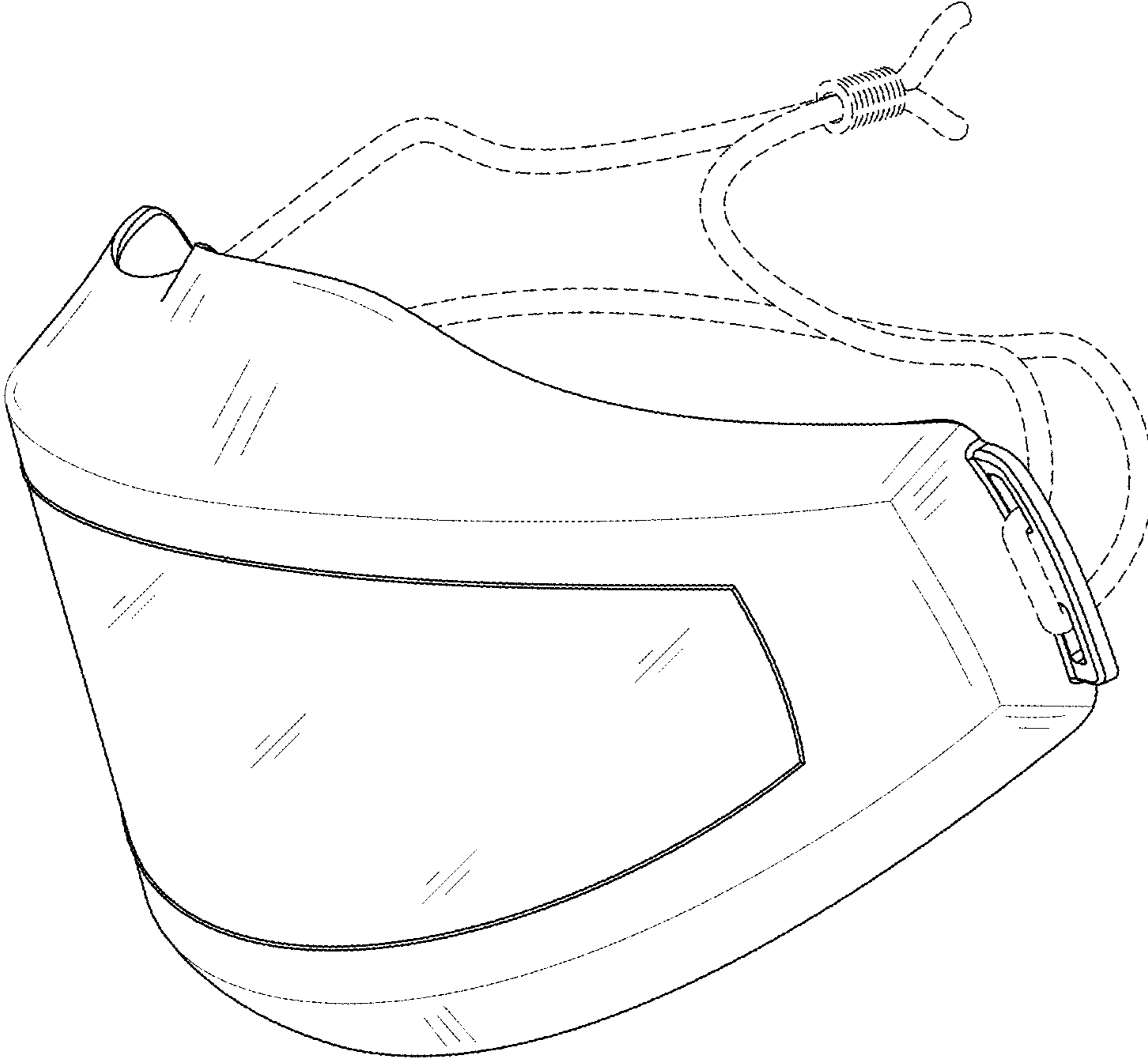


FIG. 2

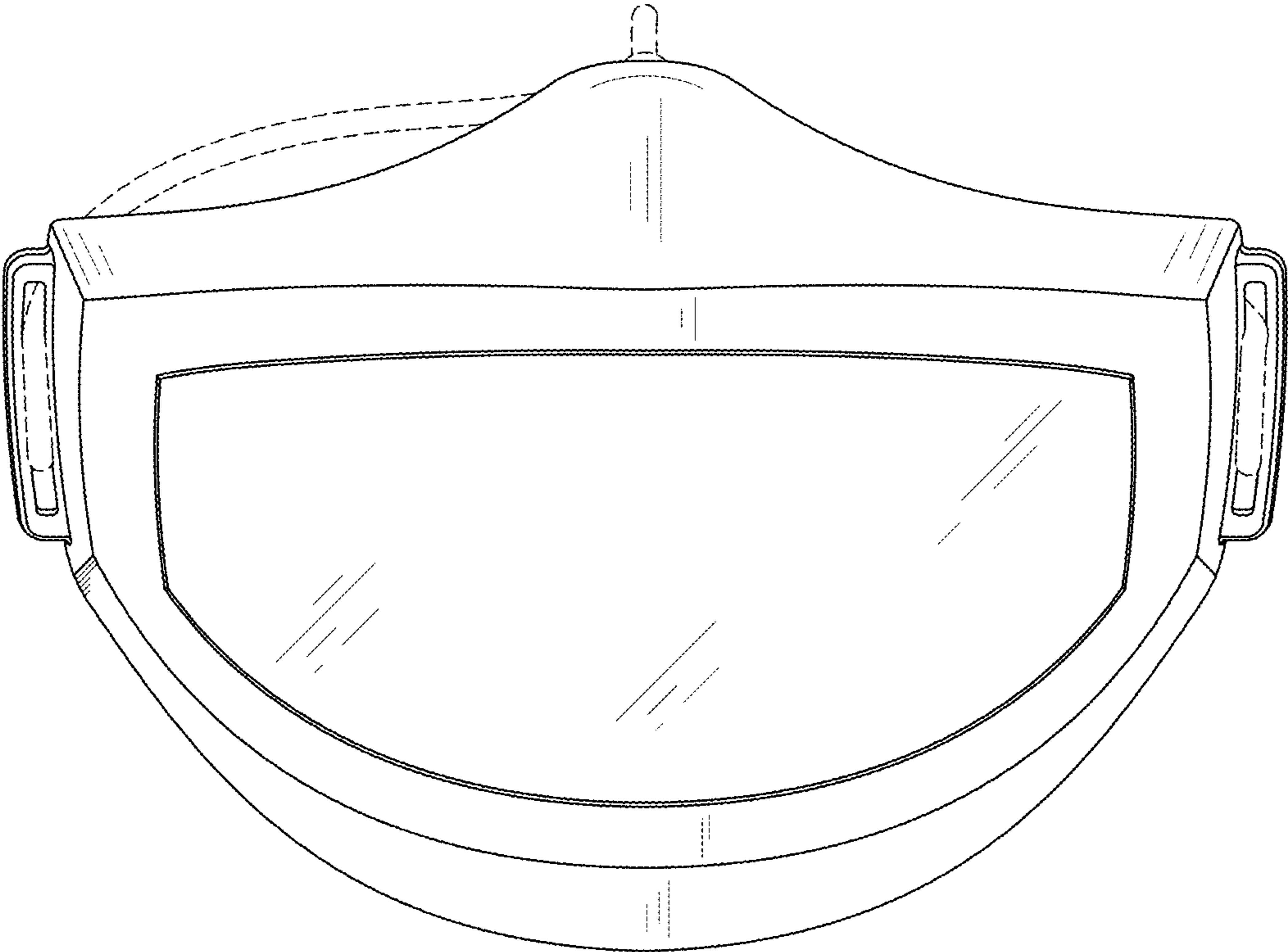


FIG. 3

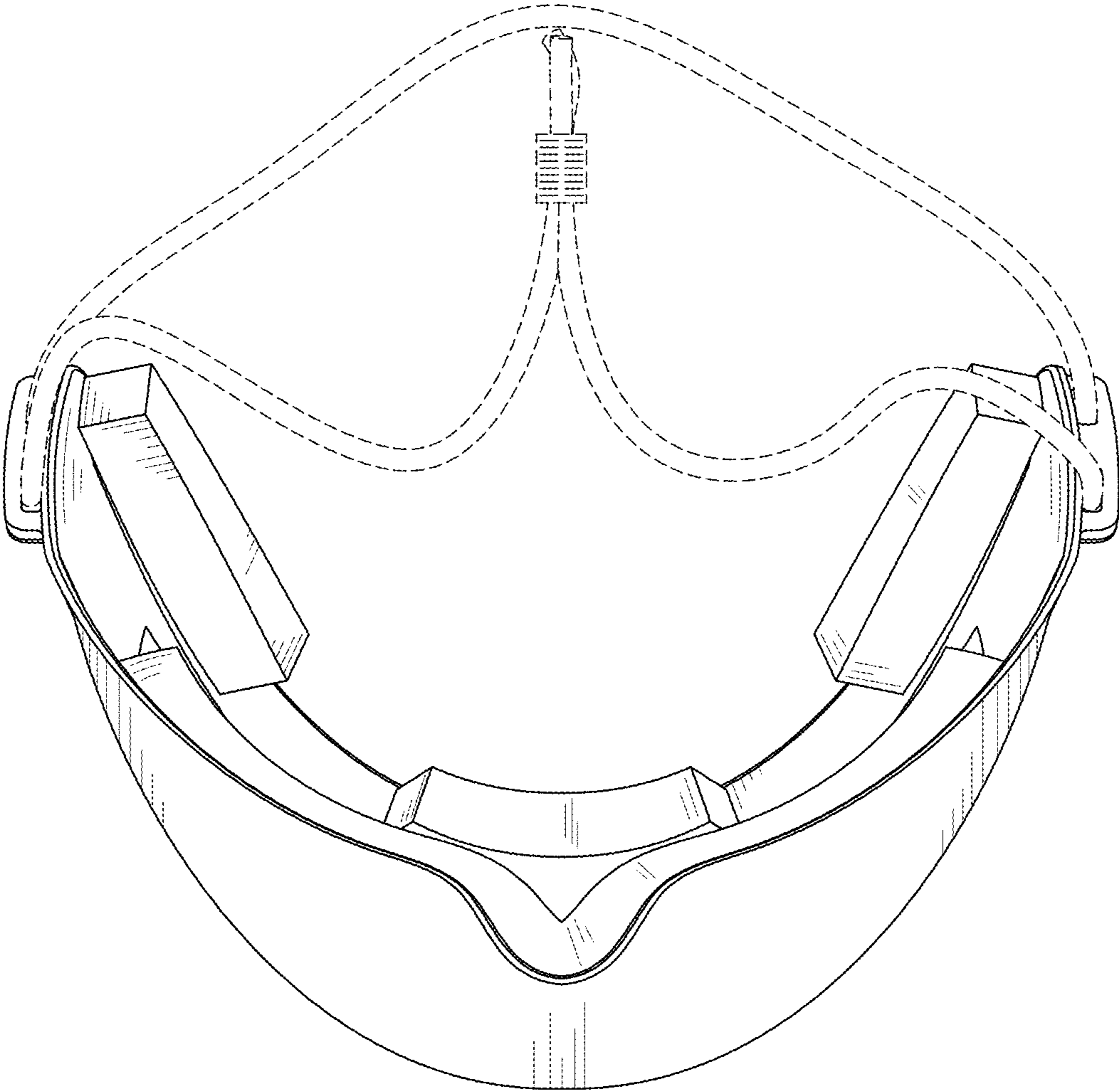


FIG. 4

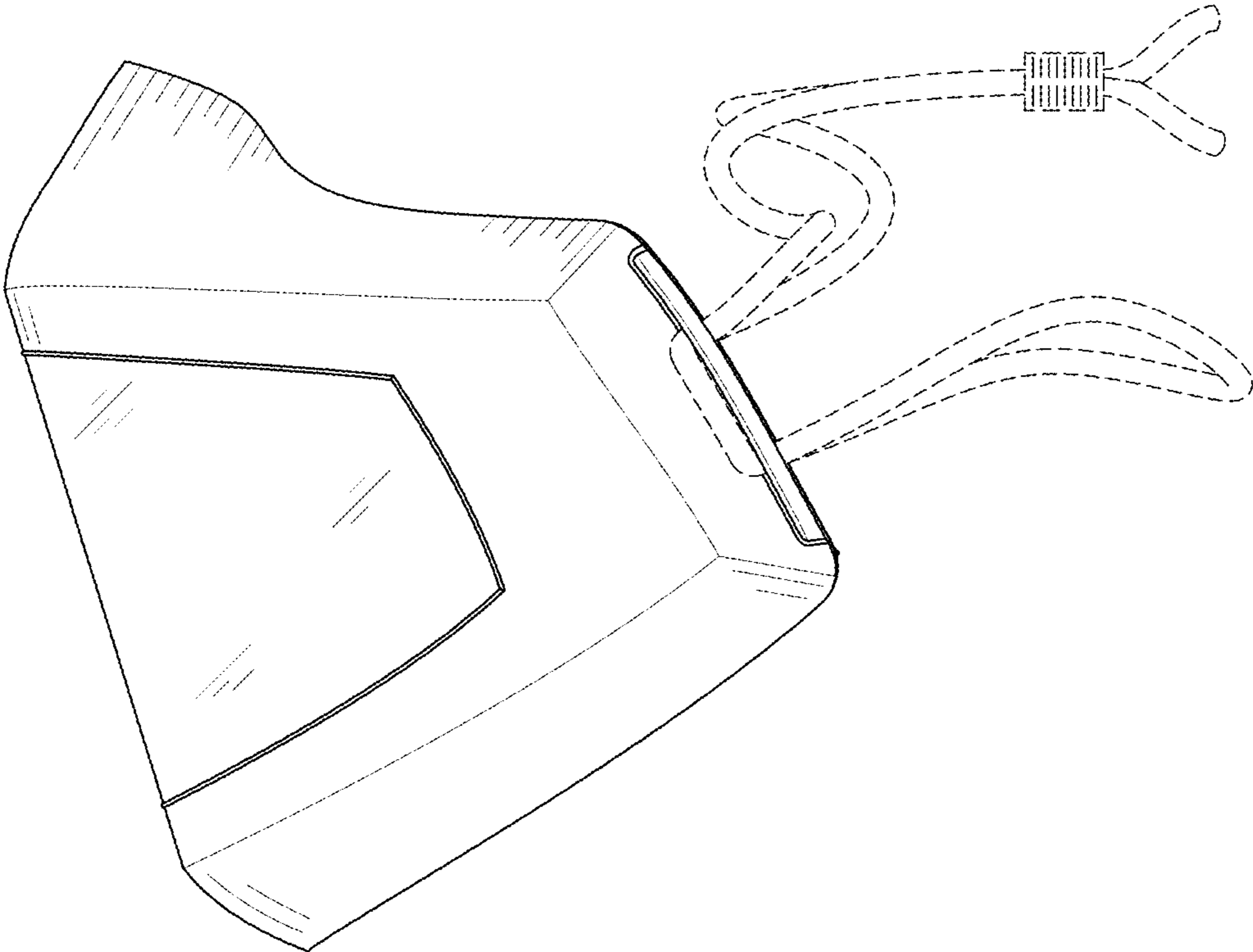


FIG. 5

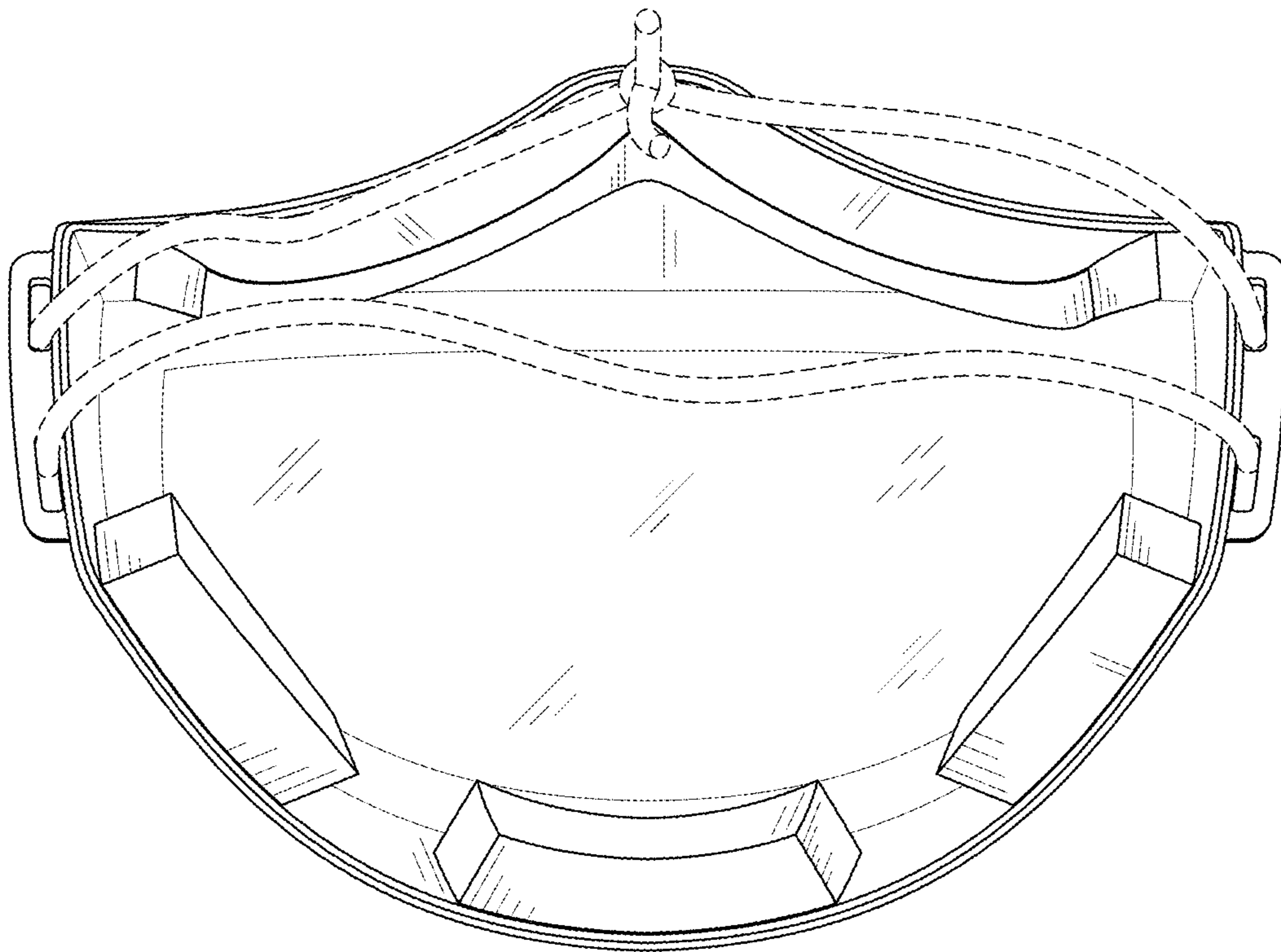


FIG. 6

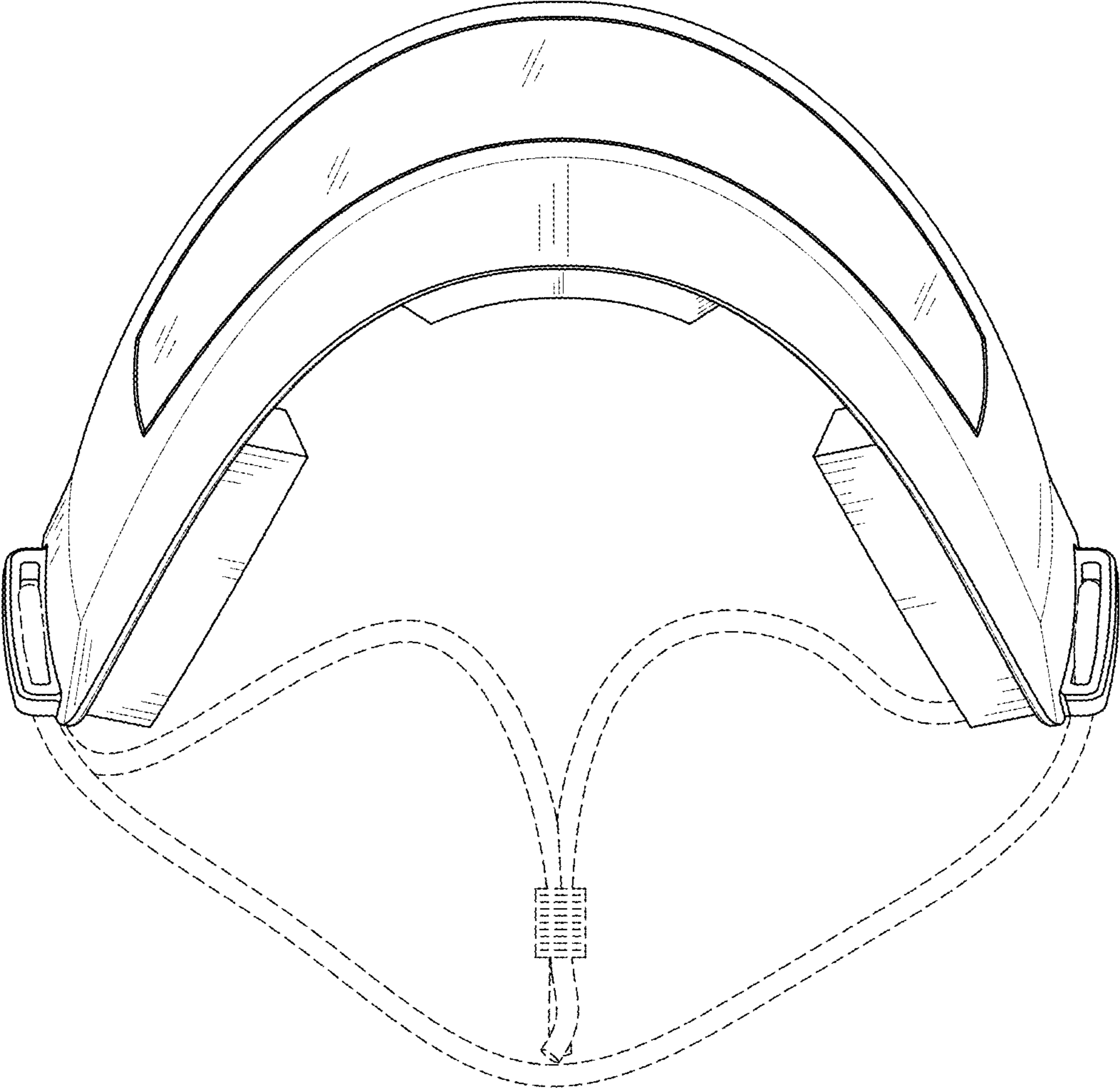


FIG. 7

