



US00D958323S

(12) **United States Design Patent** (10) **Patent No.:** **US D958,323 S**
Hunt (45) **Date of Patent:** **** Jul. 19, 2022**

(54) **TRANSPARENT FACE MASK**

- (71) Applicant: **Shellie A. Hunt**, Laguna Hills, CA (US)
- (72) Inventor: **Shellie A. Hunt**, Laguna Hills, CA (US)
- (**) Term: **15 Years**
- (21) Appl. No.: **29/743,989**
- (22) Filed: **Jul. 26, 2020**
- (51) **LOC (13) Cl.** **29-02**
- (52) **U.S. Cl.**
USPC **D24/110.1; D29/108**
- (58) **Field of Classification Search**
USPC D24/110, 110.1–110.6; D29/108
CPC . A41D 13/11; A41D 13/1107; A41D 13/1115;
A41D 13/1123; A41D 13/113; A41D
13/1138; A41D 13/1146; A41D 13/1153;
A41D 13/1161; A41D 13/1169; A41D
13/1176; A61M 16/06; A62B 18/00;
A62B 18/02; A62B 18/025; A62B 23/00
See application file for complete search history.

(56) **References Cited**

U.S. PATENT DOCUMENTS

- D140,814 S * 4/1945 Eddy D24/110.2
- 4,467,799 A * 8/1984 Steinberg A41D 13/1176
128/206.25
- D309,962 S * 8/1990 Ebeling D24/110.1
- D327,696 S * 7/1992 Bolle D16/312
- D908,205 S * 1/2021 Hwang D24/110.1
- D928,305 S * 8/2021 Holbrook D24/110.1
- 11,129,424 B2 * 9/2021 Nishida G09F 9/301
- 11,206,880 B1 * 12/2021 Naos A41D 13/1138

(Continued)

FOREIGN PATENT DOCUMENTS

- CA 2969700 * 1/2018 A41D 13/11
- CN 306789109 * 8/2021

(Continued)

OTHER PUBLICATIONS

NPR Demand Surges (available [online] Jul. 28, 2020) Retrieved from the internet Feb. 3, 2022 from URL: <https://www.npr.org/sections/health-shots/2020/07/28/893071631/demand-surges-for-see-through-face-masks-as-pandemic-swells> (Year: 2020).*

(Continued)

Primary Examiner — Richard Kearney
Assistant Examiner — Michael Hoffman
(74) *Attorney, Agent, or Firm* — The Rapacke Law Group P.A.

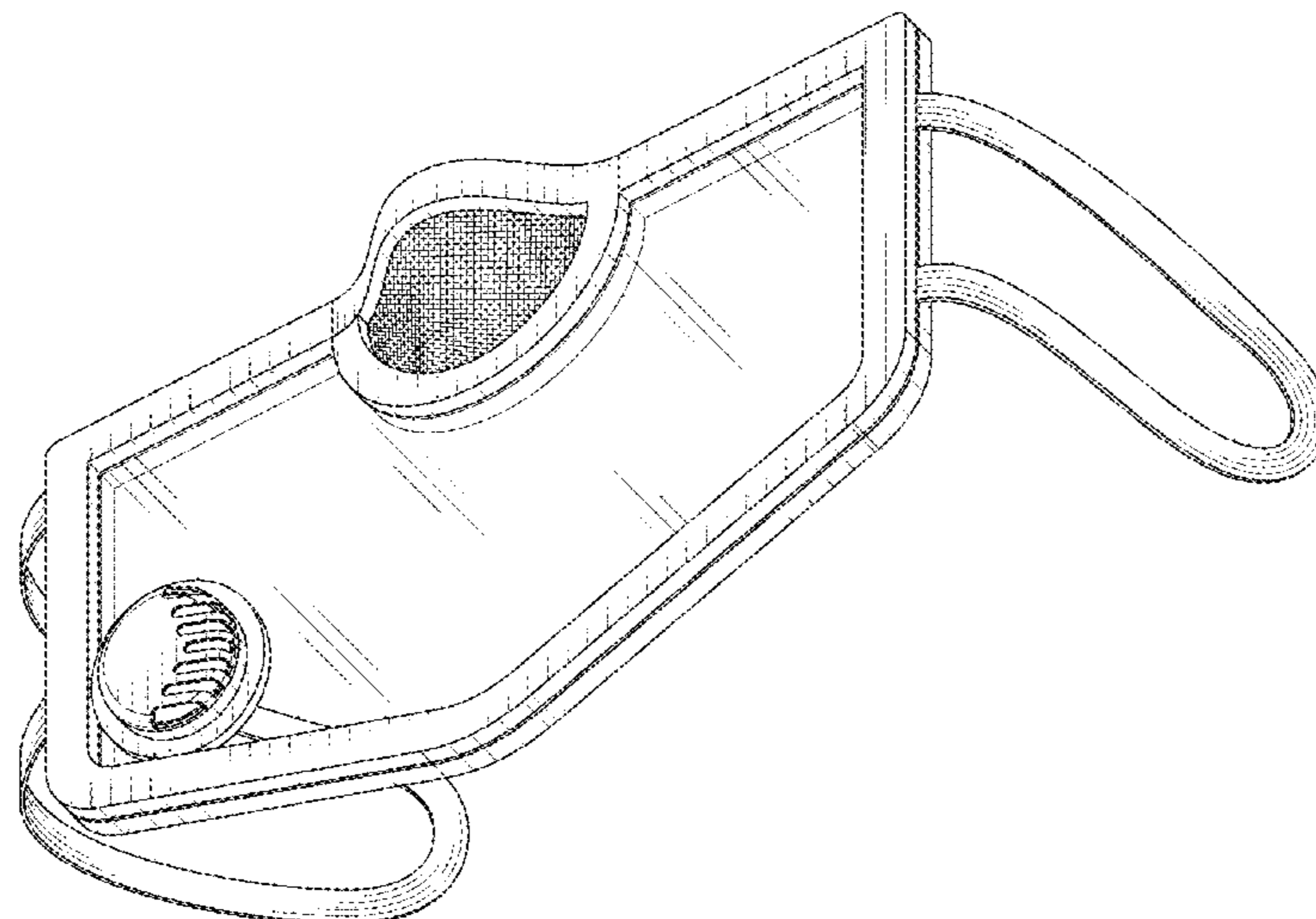
(57) **CLAIM**

The ornamental design for a transparent face mask, as shown and described.

DESCRIPTION

FIG. 1 is a perspective view of the transparent face mask, showing the new design;
FIG. 2 is a front elevational view of the transparent face mask thereof;
FIG. 3 is a rear elevational view of the transparent face mask thereof;
FIG. 4 is a left side elevational view of the transparent face mask thereof;
FIG. 5 is a right side elevational view of the transparent face mask thereof;
FIG. 6 is a top plan view of the transparent face mask thereof;
FIG. 7 is a bottom plan view of the transparent face mask; and,
FIG. 8 is an environmental perspective view of the transparent face mask thereof.
The broken lines in the drawings illustrate environmental subject matter and form no part of the claimed design.

1 Claim, 7 Drawing Sheets



(56)

References Cited

U.S. PATENT DOCUMENTS

2006/0174890 A1* 8/2006 Cheng A41D 13/11
128/206.19
2016/0029716 A1* 2/2016 Duncan A41D 13/11
128/863
2021/0368874 A1* 12/2021 Eldibany A62B 23/025
2021/0379424 A1* 12/2021 Connor A62B 18/025
2022/0016298 A1* 1/2022 Harder A62B 18/025

FOREIGN PATENT DOCUMENTS

EM 008006274-0001 * 6/2020
EP 3922119 * 12/2021 A41D 13/22
GB 6097665 * 8/2020
KR 20210002823 * 12/2021

OTHER PUBLICATIONS

No Brand (available [online]) Retrieved from the internet Feb. 10, 2022 from URL: <https://www.msdirect.com/product/details/14868889> (Year: 2022).*

Deluxemask (available [online]) Retrieved from the internet Feb. 3, 2022 from URL: <https://www.etsy.com/listing/970478940/transparent-clear-window-mask-anti-fog> (Year: 2022).*

ClearMask (available [online]) Retrieved from the internet Feb. 10, 2022 from URL: <https://buy.theclearmask.com/products/clearmask-case-medical?variant=39589672386629> (Year: 2022).*

* cited by examiner

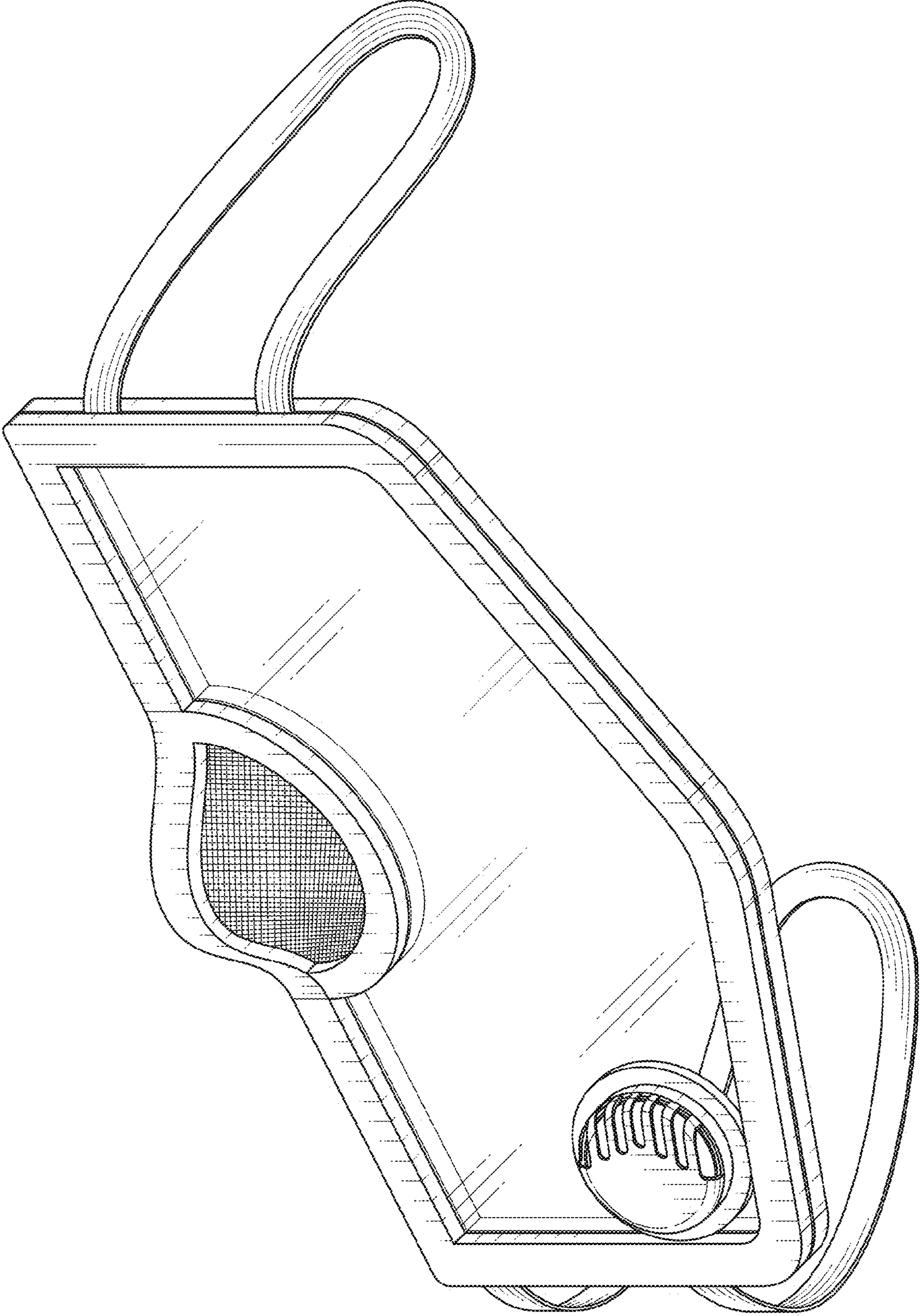


FIG. 1

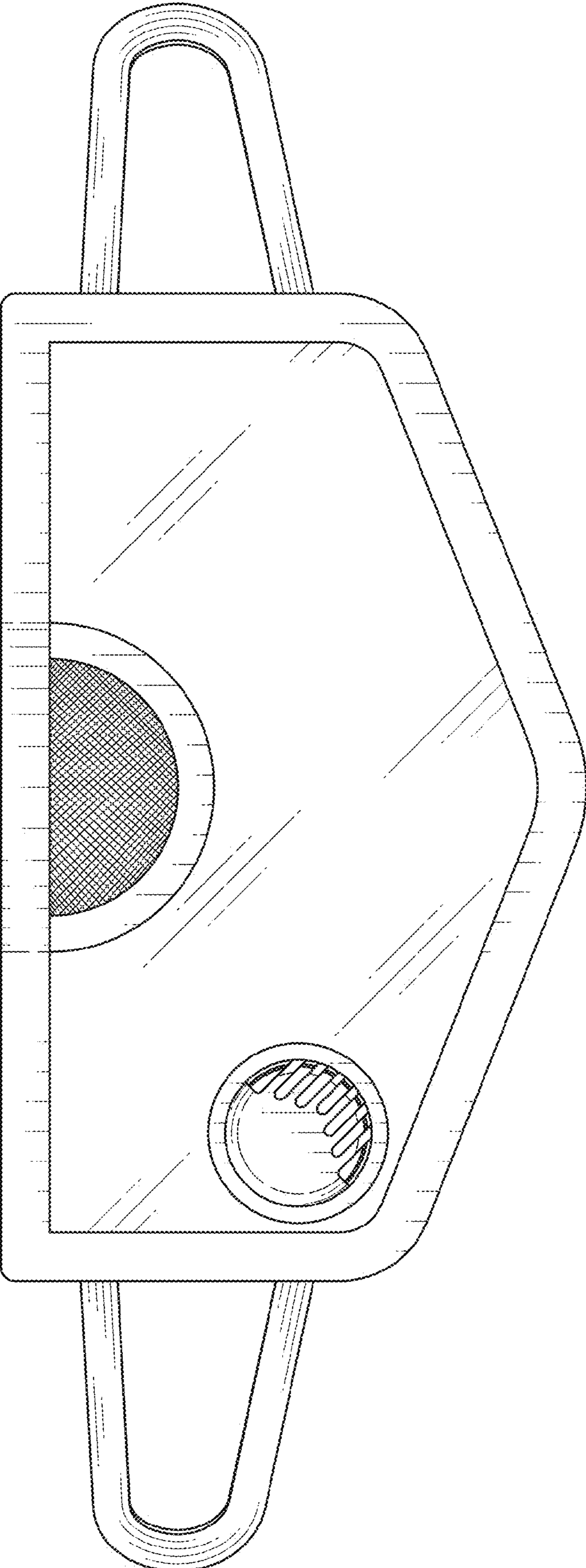


FIG. 2

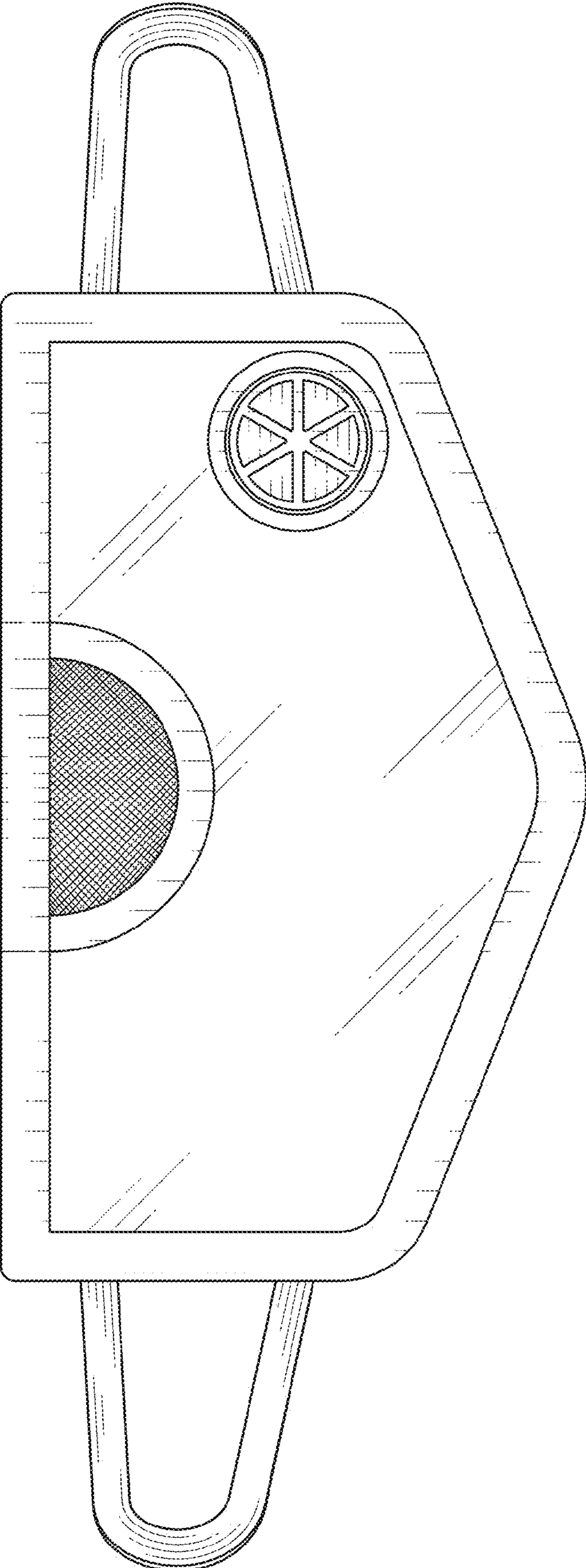


FIG. 3

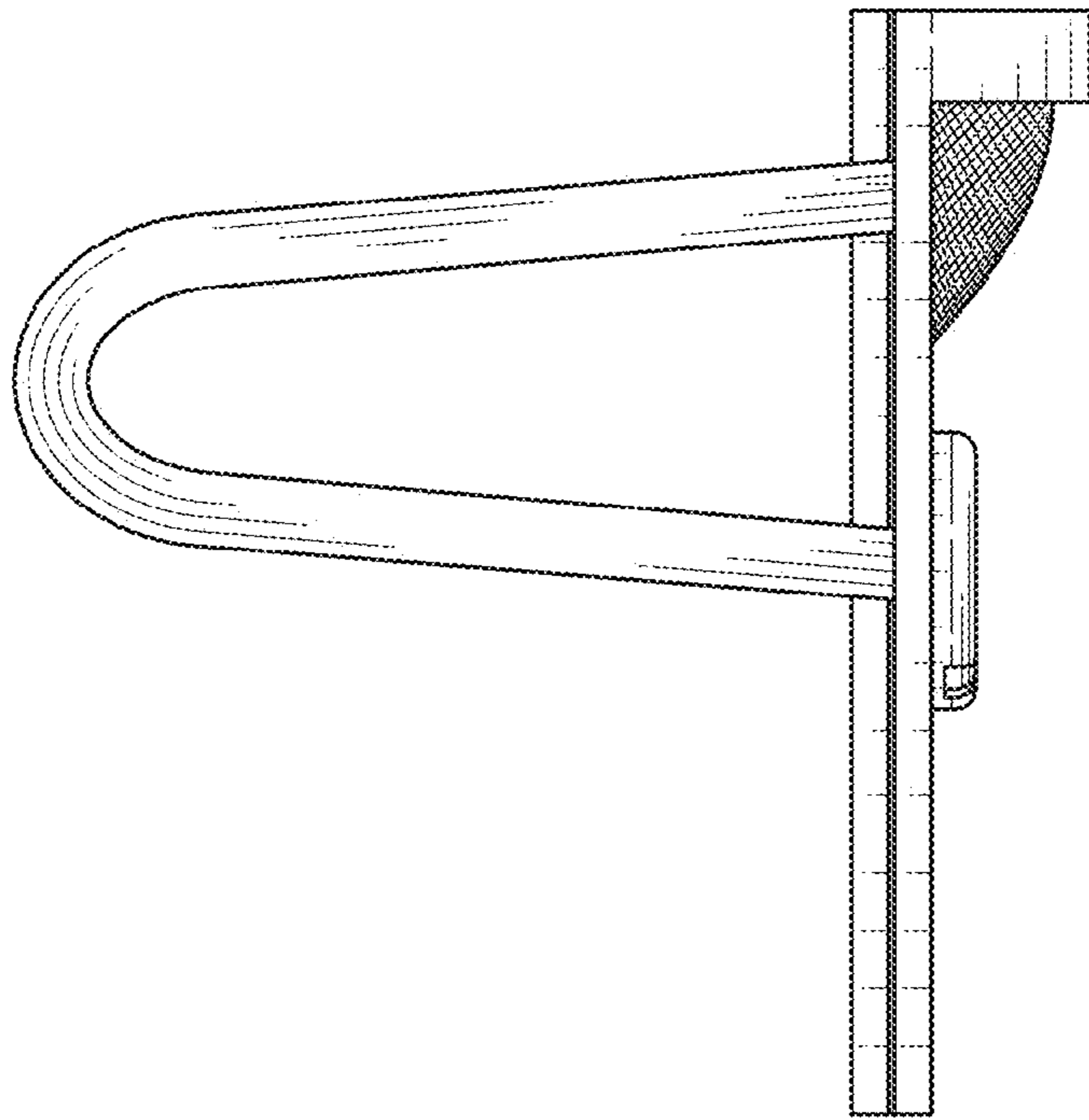


FIG. 4

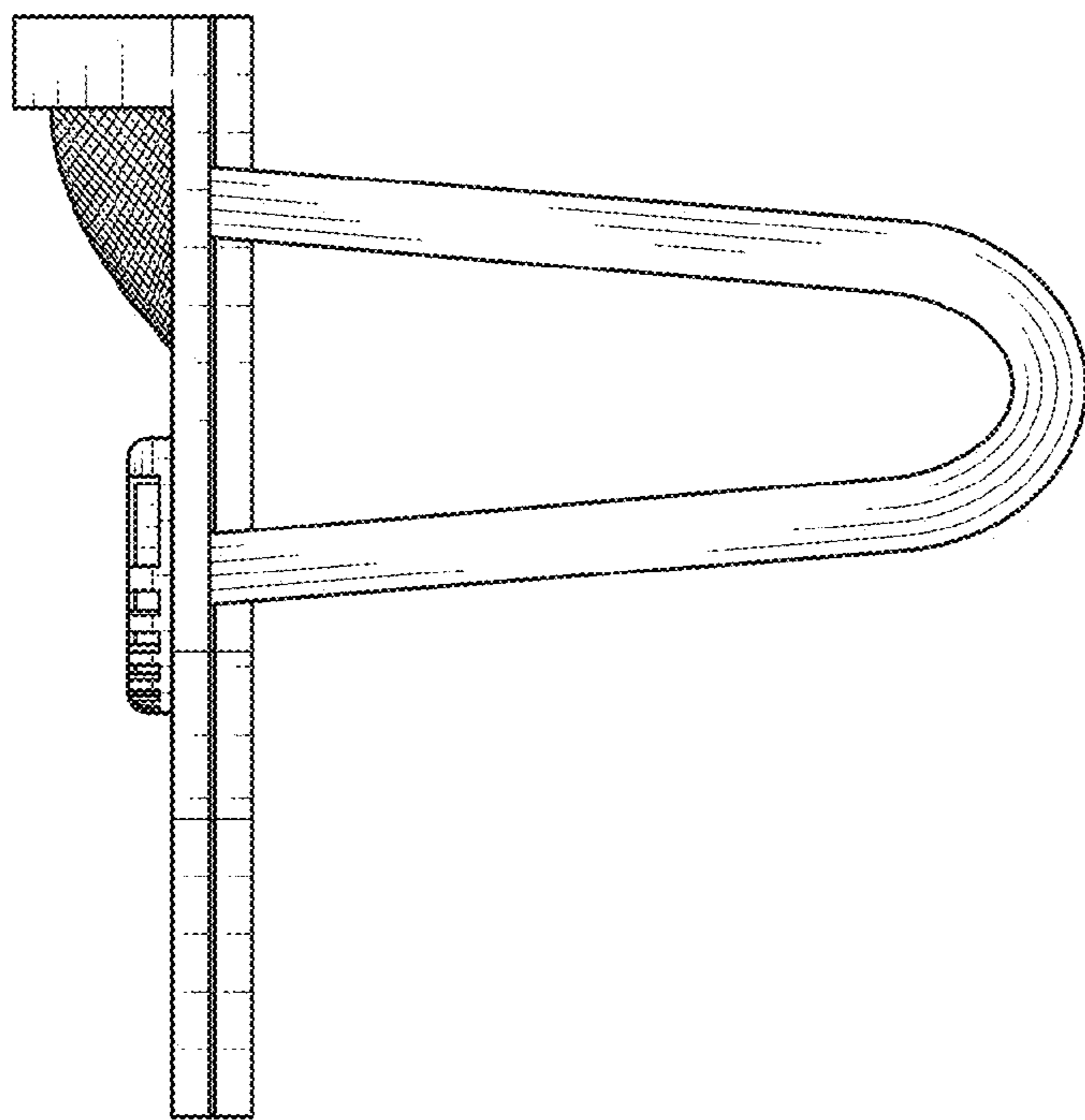


FIG. 5

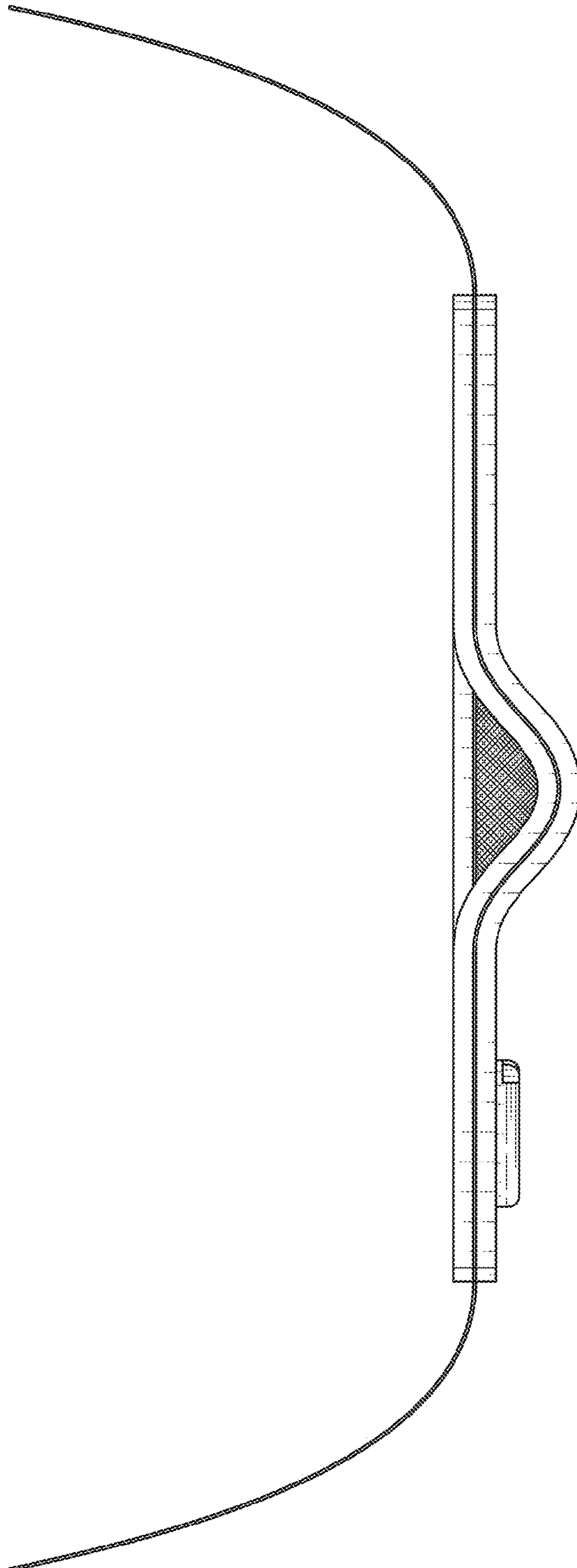


FIG. 6

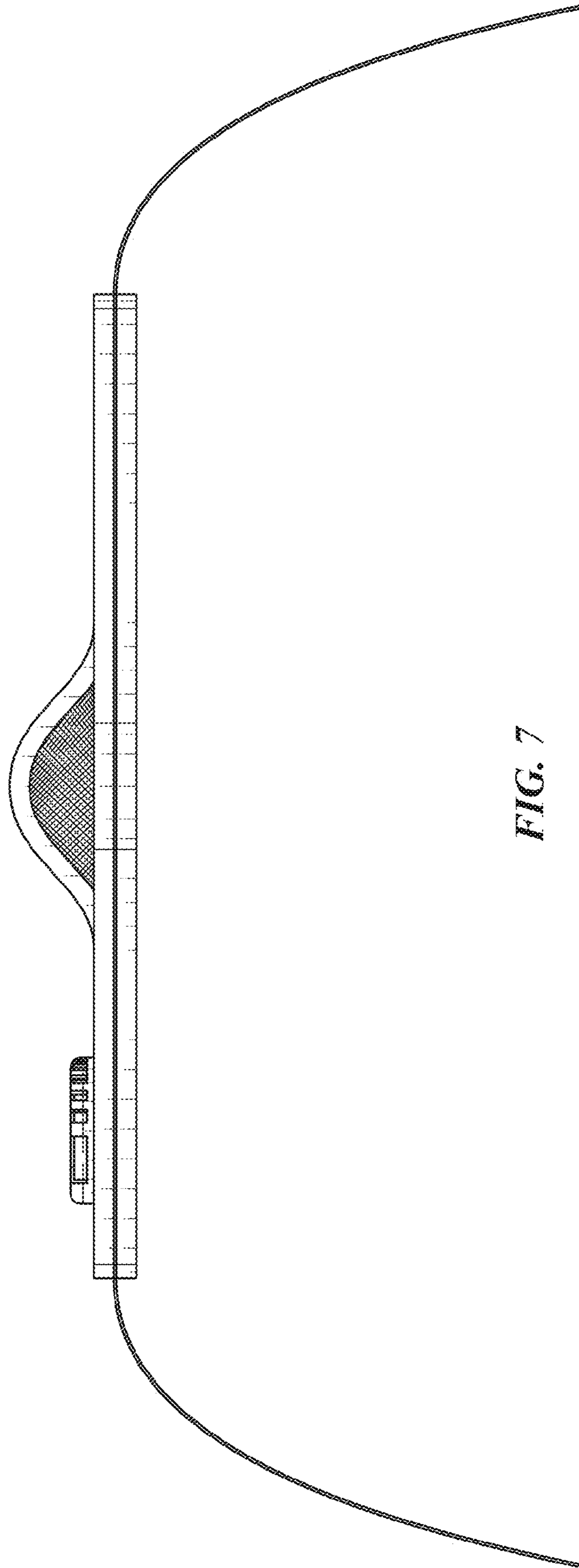


FIG. 7

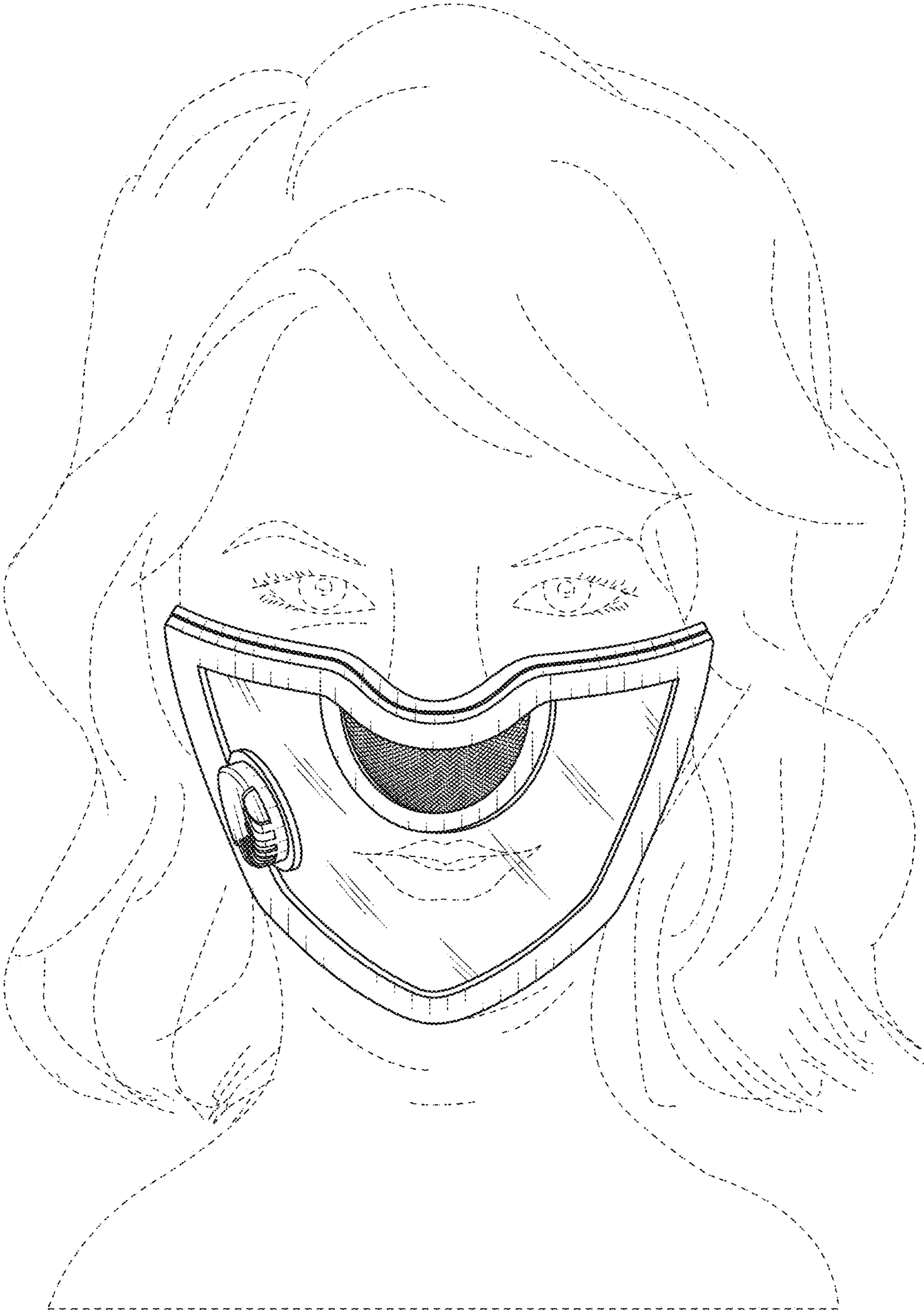


FIG. 8