



US00D958322S

(12) **United States Design Patent** (10) **Patent No.:** **US D958,322 S**
Conley (45) **Date of Patent:** **** Jul. 19, 2022**

(54) **FACE COVERING**

(71) Applicant: **SALLC Inc.**, Glencoe, IL (US)
(72) Inventor: **Sarah Conley**, Glencoe, IL (US)
(73) Assignee: **SALLC INC.**, Glencoe, IL (US)
(**) Term: **15 Years**

(21) Appl. No.: **29/743,387**

(22) Filed: **Jul. 21, 2020**

(51) **LOC (13) Cl.** **29-02**

(52) **U.S. Cl.**

USPC **D24/110.1**; D24/110.4

(58) **Field of Classification Search**

USPC D24/110, 110.1–110.6, 127, 128, 162,
D24/164; D29/108, 110, 111

CPC . A41D 13/11; A41D 13/1107; A41D 13/1115;
A41D 13/1123; A41D 13/113; A41D
13/1138; A41D 13/1146; A41D 13/1161;
A41D 13/1169; A41D 13/1176

See application file for complete search history.

(56) **References Cited**

U.S. PATENT DOCUMENTS

2,070,754 A * 2/1937 Schwartz A62B 18/025
128/206.12
4,014,047 A * 3/1977 Zobel D05B 33/02
128/206.19
D270,110 S * 8/1983 Moore 128/201.15
4,719,911 A * 1/1988 Carrico A62B 9/06
128/206.29
5,325,892 A * 7/1994 Japuntich A62B 18/10
137/855

(Continued)

FOREIGN PATENT DOCUMENTS

CN 304516585 * 2/2018
JP 2006198305 A 8/2006

(Continued)

OTHER PUBLICATIONS

A Woman Makes a Hole on Her Mask to Sip on the Straw of a Glass of Milkshake, cottonbro, Pexels, uploaded Mar. 18, 2020, Available at <<https://www.pexels.com/video/a-woman-makes-a-hole-on-her-mask-to-sip-on-the-straw-of-a-glass-of-milkshake-3959606/>>.

(Continued)

Primary Examiner — Jonathan J Han

Assistant Examiner — Amanda J Berlinski

(74) *Attorney, Agent, or Firm* — Loeb & Loeb LLP

(57) **CLAIM**

The ornamental design for a face covering, as shown and described.

DESCRIPTION

FIG. 1 is a front perspective view of a face covering showing my new design;

FIG. 2 is a front elevational view thereof;

FIG. 3 is a back elevational view thereof;

FIG. 4 is a left side elevational view thereof, taken along line 4-4;

FIG. 5 is a right side elevational view thereof, taken along line 5-5;

FIG. 6 is top view thereof;

FIG. 7 is a bottom view thereof;

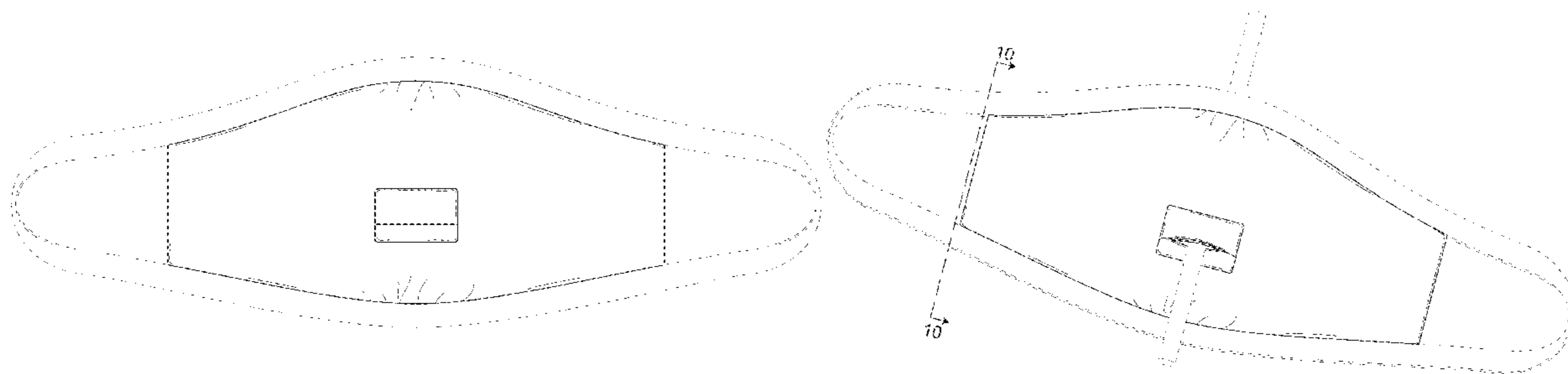
FIG. 8 is another front perspective view of the face covering of FIG. 1 showing a portion of the design in use;

FIG. 9 is a back perspective view of the face covering of FIG. 1 showing a portion of the design in use; and,

FIG. 10 is a left side elevational view of the face covering of FIG. 1, taken along line 10-10, showing a portion of the design in use.

The dashed lines are shown for the purpose of illustrating parts of the face covering and environment that form no part of the claimed design.

1 Claim, 8 Drawing Sheets



(56)

References Cited

U.S. PATENT DOCUMENTS

7,032,751 B2 * 4/2006 Bell A61B 50/30
206/390

7,044,127 B1 5/2006 Fernandez DeCastro

7,055,521 B1 6/2006 Johnson

7,958,889 B1 * 6/2011 Fernandez-DeCastro
A41D 13/11
128/205.27

8,342,180 B2 1/2013 Martin et al.

8,757,156 B2 6/2014 Martin et al.

D785,780 S * 5/2017 Scarbrough D24/110.1

D892,440 S * 8/2020 Holmes D29/108

D899,585 S * 10/2020 Judson D24/110.1

10,980,296 B1 * 4/2021 Hosac A62B 18/10

11,064,744 B1 * 7/2021 Palacios A41D 13/1107

D928,304 S * 8/2021 Yu D24/110.1

11,154,101 B2 * 10/2021 Karakostas A41D 31/18

D936,207 S * 11/2021 Mallady, Jr. A62B 18/025
D24/110.1

D936,208 S * 11/2021 Bindhammer D29/108

D937,405 S * 11/2021 Mallady, Jr. D24/110.1

D939,689 S * 12/2021 Mallady, Jr. D24/110.1

D944,460 S * 2/2022 Shea A62B 18/086

2004/0074498 A1 4/2004 Begum

2006/0230485 A1 10/2006 Lee

2009/0071483 A1 * 3/2009 Son A62B 18/025
128/206.13

2014/0076334 A1 * 3/2014 Cheng A61B 46/00
128/857

2017/0119991 A1 5/2017 Duveen et al.

2021/0353979 A1 * 11/2021 Lean A62B 18/025

2022/0016452 A1 * 1/2022 Weiss A62B 18/086

2022/0030966 A1 * 2/2022 Lam B32B 27/40

2022/0030968 A1 * 2/2022 Nasrallah A41D 13/1115

2022/0030970 A1 * 2/2022 Pole A41D 13/1161

2022/0030973 A1 * 2/2022 Floersheimer A62B 23/025

2022/0047009 A1 * 2/2022 Bermak A41D 13/11

2022/0047010 A1 * 2/2022 Parker A41D 13/1107

2022/0047900 A1 * 2/2022 Duty A62B 18/025

2022/0053849 A1 * 2/2022 Morton A41D 13/1107

2022/0061418 A1 * 3/2022 Giovanni A41D 13/1107

2022/0062671 A1 * 3/2022 Kanyikirize A62B 18/086

FOREIGN PATENT DOCUMENTS

JP 3157299 U 2/2010

JP D1420828 * 8/2011

JP 2017002430 A 1/2017

KR 200461294 Y1 7/2012

KR 101492204 B1 2/2015

KR 101752226 B1 6/2017

KR 200489651 Y1 7/2019

KR 3010170710000 7/2019

KR 3010340340000 11/2019

KR 102096354 B1 4/2020

KR 3010562670000 4/2020

OTHER PUBLICATIONS

Beer N Straw Neck Gaiter, Halloween Mask, Motorcycle Mask,—
Note: Not medical-grade. Washable Reusable Mask, CopperwoodGraphics, Etsy Inc., Listed on Jul. 31, 2020, Available at <https://www.etsy.com/in-en/listing/784640808/beer-n-straw-neck-gaiter-halloween-mask?ga_order=most_relevant&ga_search_type=all&ga_view_type=gallery&ga_search_query=straw+mask&ref=sr_gallery-1-14>.

Cover mouth and nose with mask and make sure no gaps between face and mask. Totally protected. Wearing mask protect from, dreamstime, Copyright 2020, Available at <<https://www.dreamstime.com/cover-mouth-nose-mask-make-sure-no-gaps-face-mask-totally-protected-wearing-mask-protect-coronavirus-image179558381>>.

O Mask, iF World Design Guide, Copyright 2020, Available at <<https://ifworlddesignguide.com/entry/187965-o-mask>>.

Personal protective equipment. Guy in mask drink tea coffee using straw. Infection prevention and control measures. Garments placed to protect health. Face protection goggles mask gloves head cover, Alamy Stock Photo, dated Mar. 26, 2020, Available at <<https://www.alamy.com/personal-protective-equipment-guy-in-mask-drink-tea-coffee-using-straw-infection-prevention-and-control-measures-garments-placed-to-protect-health-face-protection-goggles-mask-gloves-head-cover-image355531911.html>>.

Reusable Face Cover Mask with straw hole,Washable,Cloth face mask open front pocket,Drinking mask, Star print, White mask, Cotton mask, Etsy Inc., LeotardsByUmma, Available at <https://www.etsy.com/in-en/listing/811677272/reusable-face-cover-mask-with-straw?ref=sold_out-3>.

The Drinkthru Mask Prevention Kit, DrinkThru Mask, Copyright 2017, Available at <<https://drinkthrumask.com/product/drinkthrumask-prevention-respirator-kit/>>.

The Only Time You Want a Hole in Your Facemask, Reddit Inc, uploaded Mar. 22, 2020, Available at <https://www.reddit.com/r/funny/comments/fmv48w/the_only_time_you_want_a_hole_in_your_facemask/>.

* cited by examiner

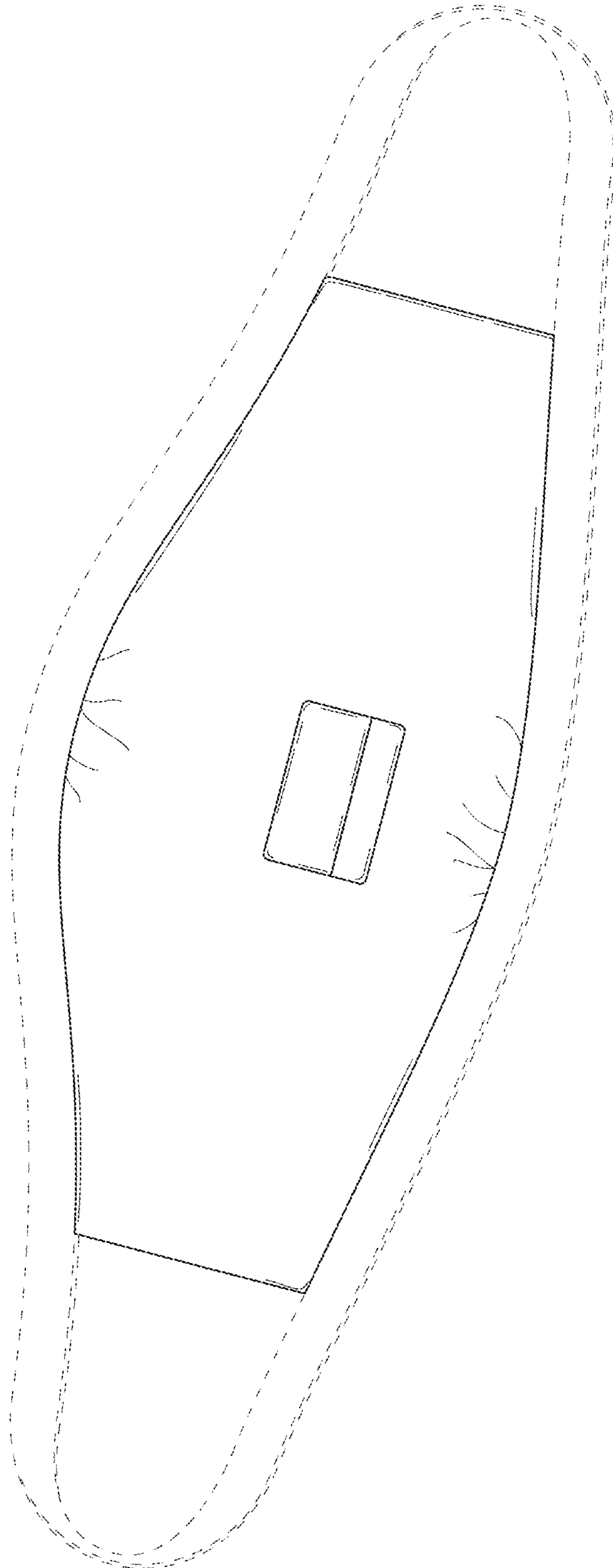


FIG. 1

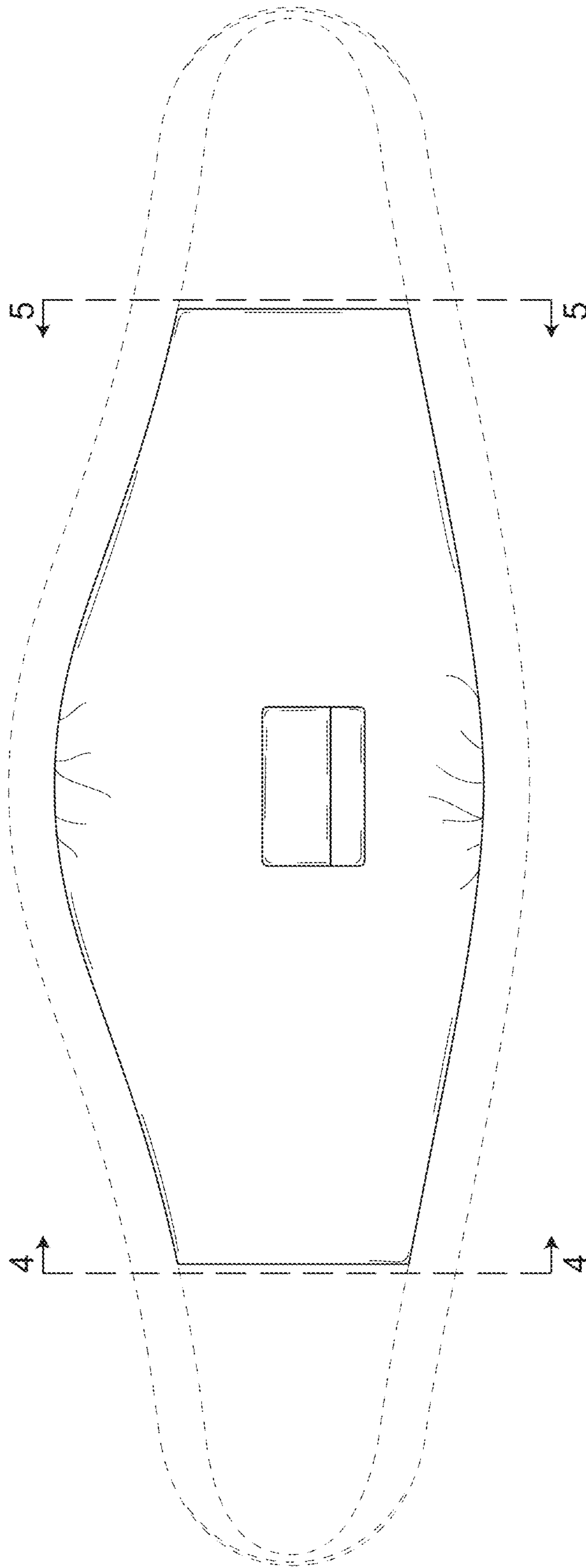


FIG. 2

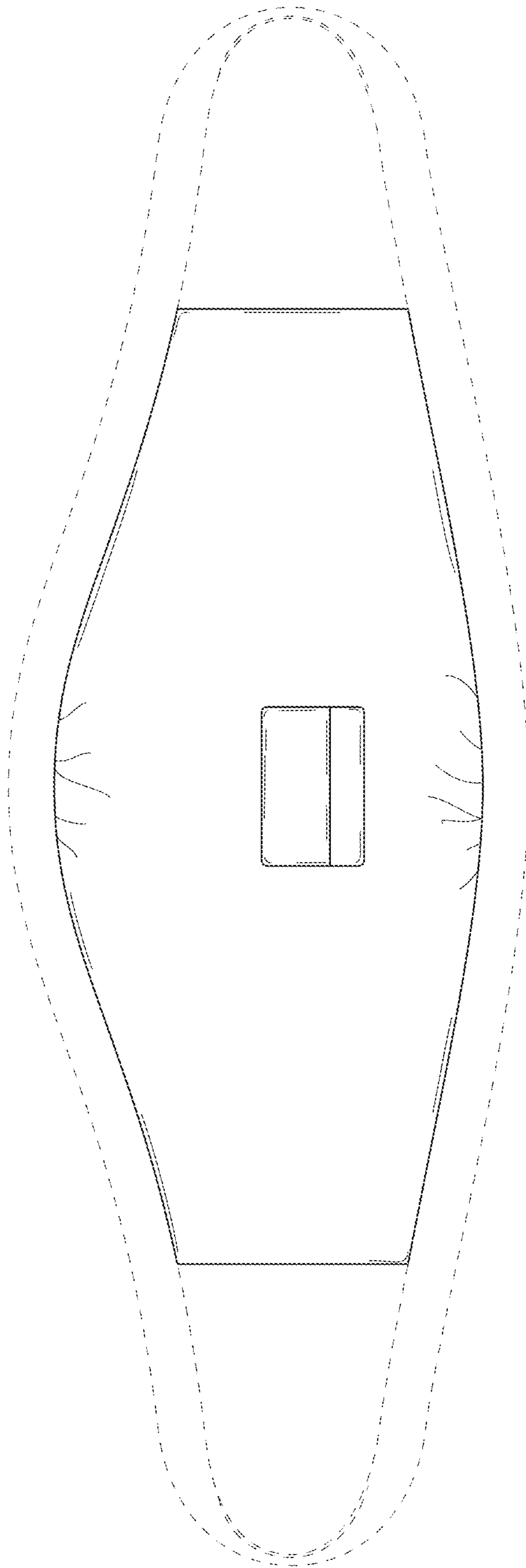


FIG. 3

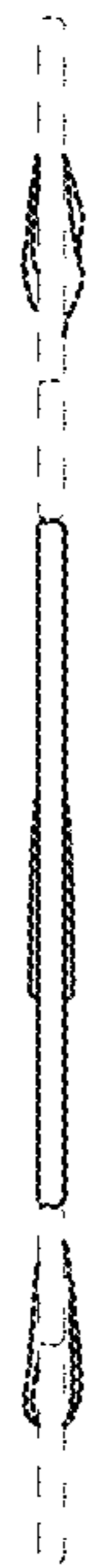


FIG. 4



FIG. 5

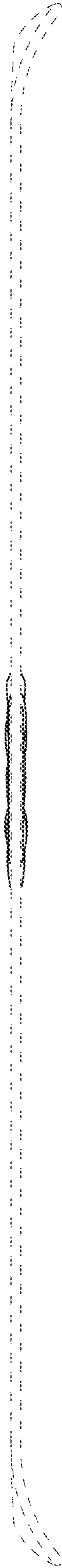


FIG. 6

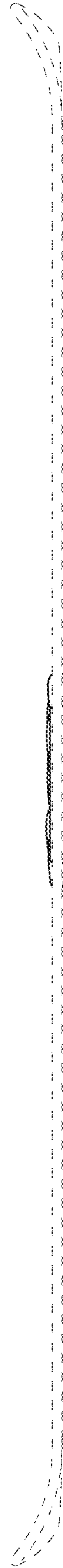


FIG. 7

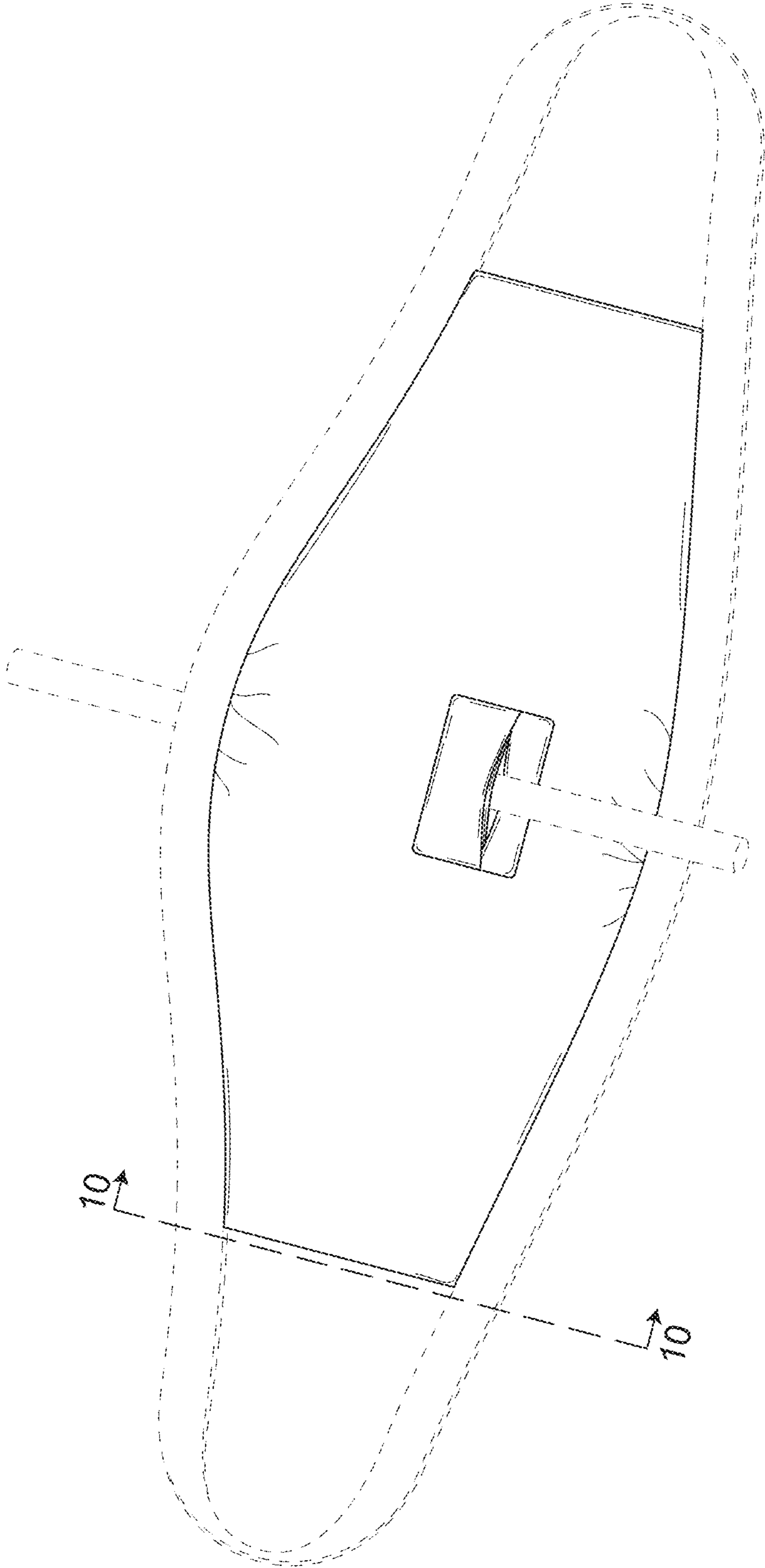


FIG.8

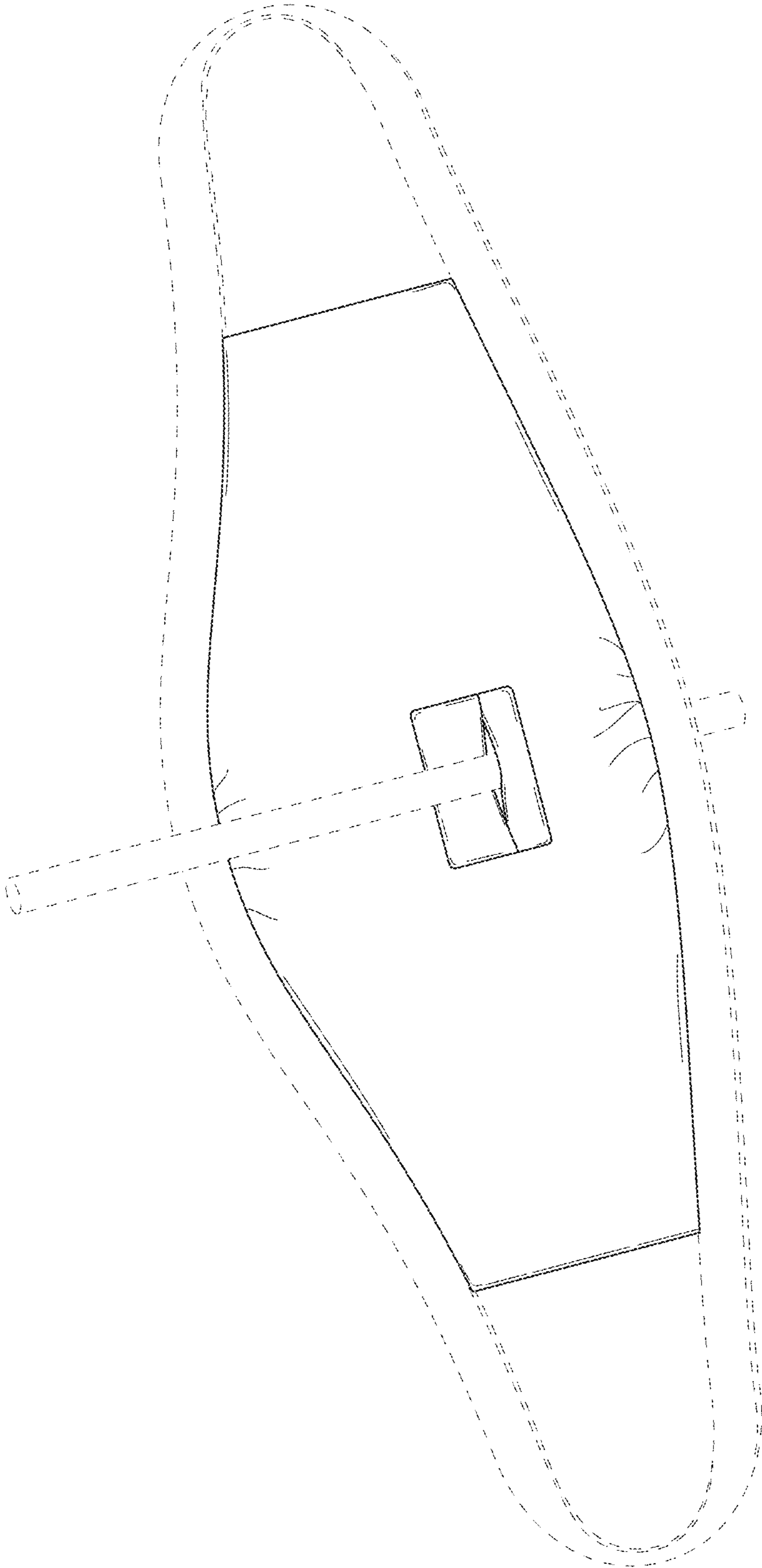


FIG. 9

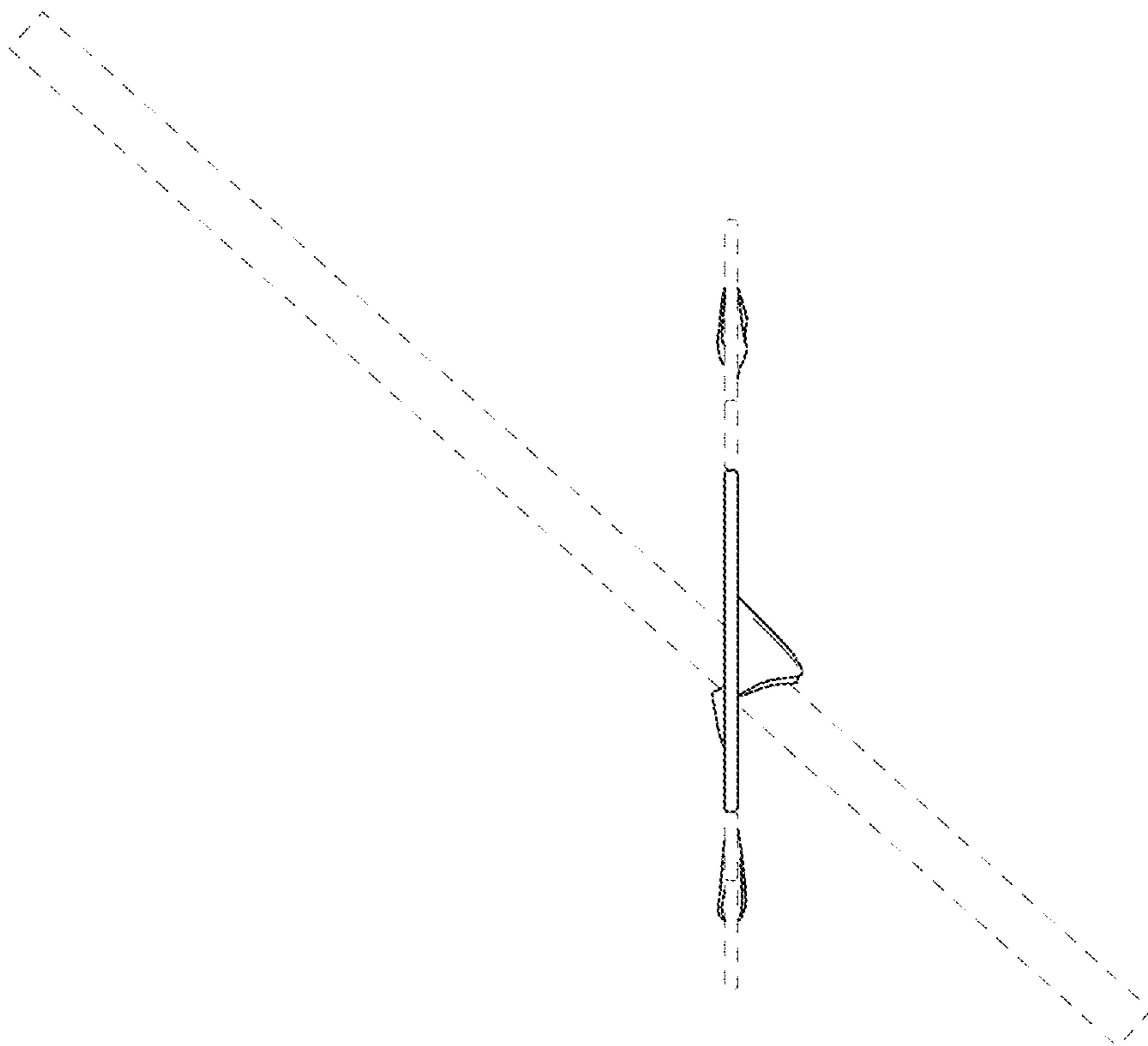


FIG. 10