



US00D958319S

(12) **United States Design Patent**
Cohen

(10) **Patent No.:** **US D958,319 S**
(45) **Date of Patent:** **** Jul. 19, 2022**

(54) **SPORTS CEILING FAN WITH MASK SHAPED LIGHT KIT**

(71) Applicant: **Paul Cohen**, Riverview, FL (US)

(72) Inventor: **Paul Cohen**, Riverview, FL (US)

(**) Term: **15 Years**

(21) Appl. No.: **29/787,436**

(22) Filed: **Jun. 7, 2021**

Related U.S. Application Data

(63) Continuation-in-part of application No. 29/669,439, filed on Nov. 8, 2018, now Pat. No. Des. 921,870.

(51) **LOC (13) Cl.** **23-04**

(52) **U.S. Cl.**
USPC **D23/377**; D26/59; D23/385

(58) **Field of Classification Search**
USPC D23/377, 370–376, 378–394, 411–414, D23/499; D26/51, 59, 72, 79, 92, 124, D26/57, 73, 94, 125; D29/106
CPC F04D 25/088; F04D 29/322; F04D 29/324; F04D 29/388; F04D 29/601; F21V 21/104; F21V 33/0096
See application file for complete search history.

(56) **References Cited**

U.S. PATENT DOCUMENTS

- 2,079,942 A * 5/1937 Le Velle F04D 29/364 416/87
- 5,028,206 A * 7/1991 Kendregan F21V 33/0096 416/5
- D355,394 S * 2/1995 Bezener D11/133
- 5,437,540 A * 8/1995 Blocker F04D 25/088 310/232
- D371,325 S * 7/1996 Fritsche D11/211
- D373,185 S * 8/1996 Tseng D23/377
- D373,628 S * 9/1996 DiSandro D23/377

- D382,953 S * 8/1997 Kuo D23/377
- D383,528 S * 9/1997 Collmar D23/377
- D386,258 S * 11/1997 Pearce D23/377
- D386,276 S * 11/1997 Pearce D11/157
- D390,649 S * 2/1998 Pearce D23/377
- D398,980 S * 9/1998 Pearce D23/377
- D412,376 S * 7/1999 Jurga D29/106
- D417,495 S * 12/1999 Yang D23/377
- D420,733 S * 2/2000 Chen D23/377

(Continued)

FOREIGN PATENT DOCUMENTS

CA 187519 * 2/2021

OTHER PUBLICATIONS

Ultimate Hockey Fans . (online image) 1 pg. [retrieved Jul. 7, 2020]
http://mobileimages.lowes.com/product/converted/100291/1002913668_16002871.jpg?size=pdhi.*

(Continued)

Primary Examiner — Marie D. Fast Horse

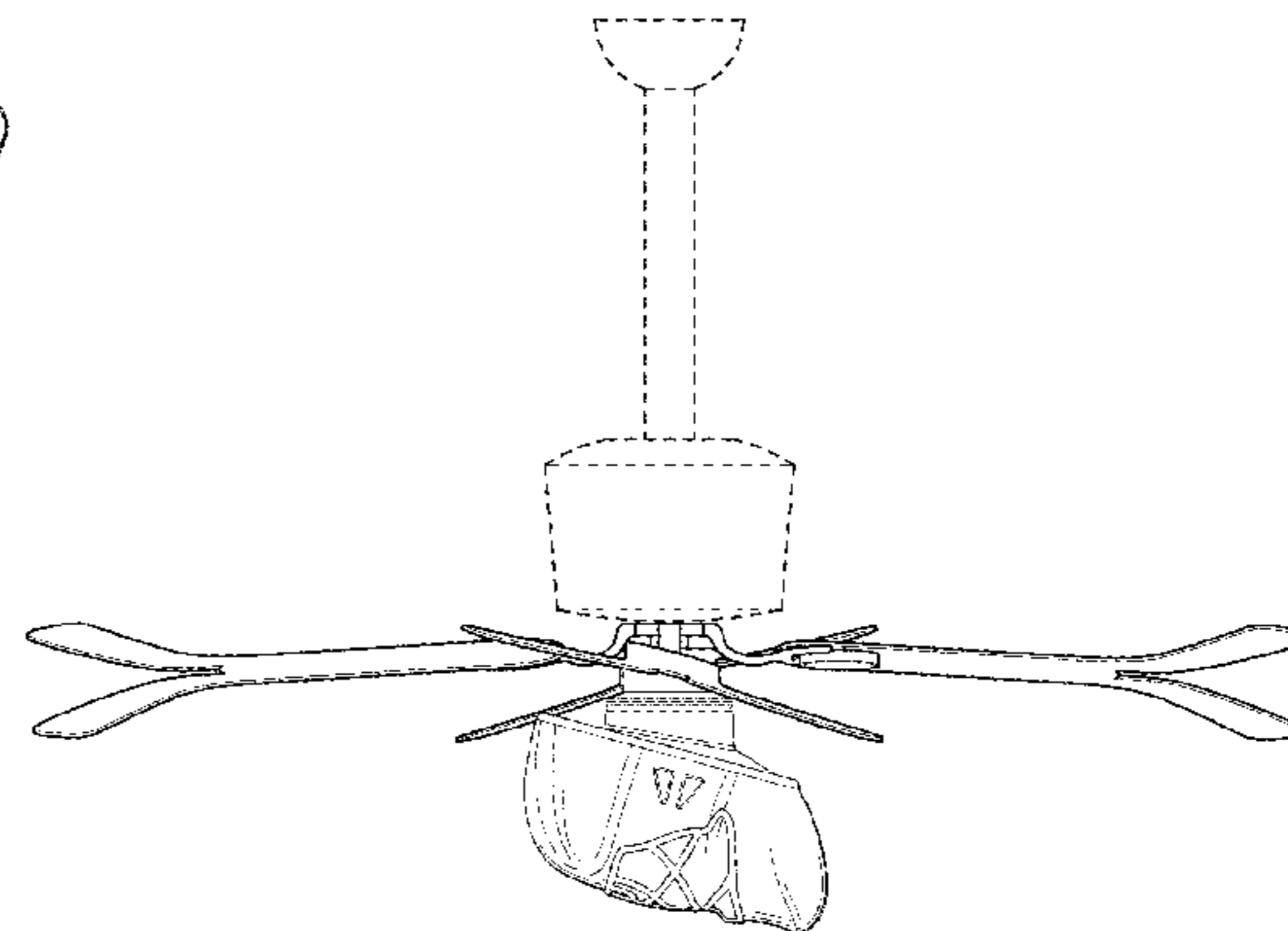
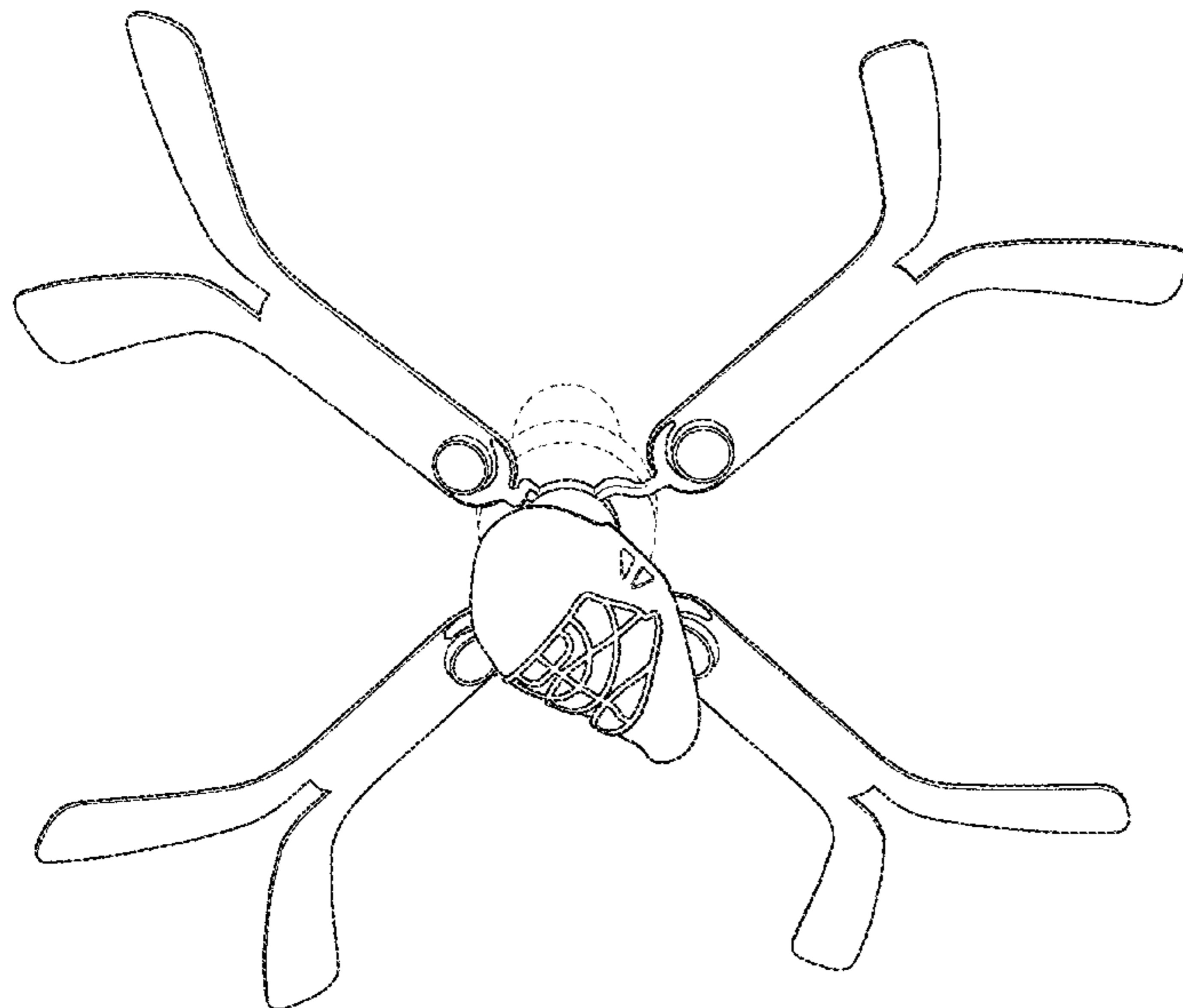
(57) **CLAIM**

The ornamental design for a sports ceiling fan with mask shaped light kit, as shown and described.

DESCRIPTION

FIG. 1 is a bottom perspective view of a sports ceiling fan with mask shaped light kit showing my design;
FIG. 2 is a top plan view thereof;
FIG. 3 is a bottom plan view thereof;
FIG. 4 is a left side elevational view thereof;
FIG. 5 is a right side elevational view thereof;
FIG. 6: is a rear view thereof; and,
FIG. 7: is a front view thereof.
The broken lines in the drawings depict portions of the sports ceiling fan with mask shaped light kit that form no part of the claimed design.

1 Claim, 7 Drawing Sheets



(56)

References Cited

U.S. PATENT DOCUMENTS

6,037,876 A * 3/2000 Crouch G09F 9/33
 340/815.53
 D445,888 S * 7/2001 Lee D23/377
 D456,813 S * 5/2002 Hays D14/480.2
 D478,655 S * 8/2003 Gajewski D23/413
 D479,317 S * 9/2003 Gajewski D23/377
 D487,580 S * 3/2004 Lee D20/29
 D488,883 S * 4/2004 Davis D26/94
 D505,455 S * 5/2005 Lee D20/29
 D518,344 S * 4/2006 Lee D8/38
 D575,432 S * 8/2008 Nunes D26/62
 D575,434 S * 8/2008 Nunes D26/73
 D631,955 S * 2/2011 Vilella D23/411
 9,255,584 B2 * 2/2016 Vilella F04D 29/36
 D812,214 S * 3/2018 Townsell D23/377
 D833,058 S * 11/2018 Smith D26/94
 D861,961 S * 10/2019 Smith D26/94
 D921,870 S * 6/2021 Cohen D23/377
 2006/0140769 A1 * 6/2006 Frampton F04D 25/088
 416/210 R
 2020/0109714 A1 * 4/2020 Whittington F04D 29/582
 2020/0109865 A1 * 4/2020 Whittington F04D 29/388

OTHER PUBLICATIONS

Ultimate Hockey Fans NHL Officially Licensed Ceiling Fan. (online)
 1 pg. Available Mar. 5, 2020. [retrieved Jul. 29, 2021] <https://www.amazon.com/dp/B0868YFHWY/>.*

* cited by examiner

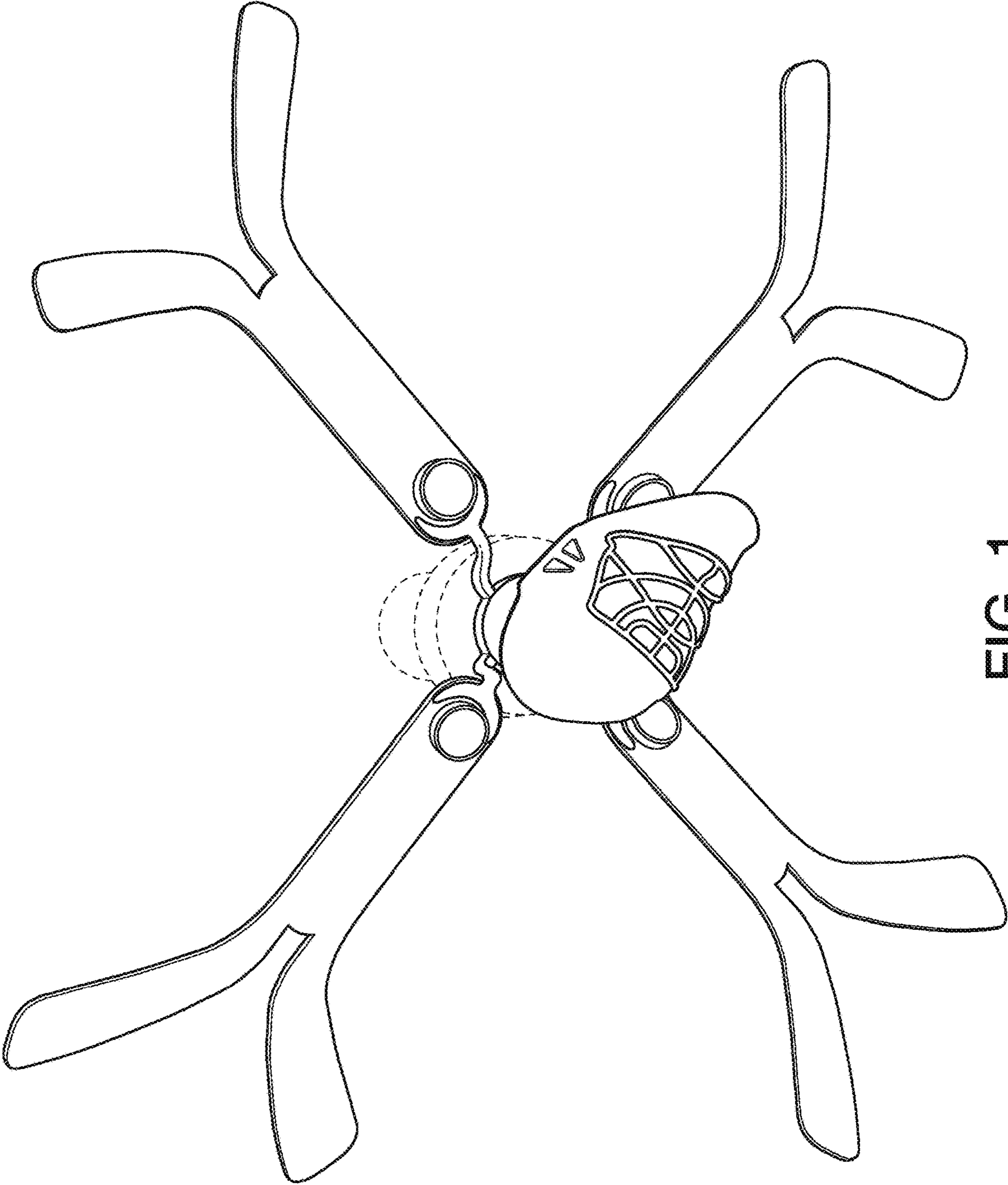


FIG. 1

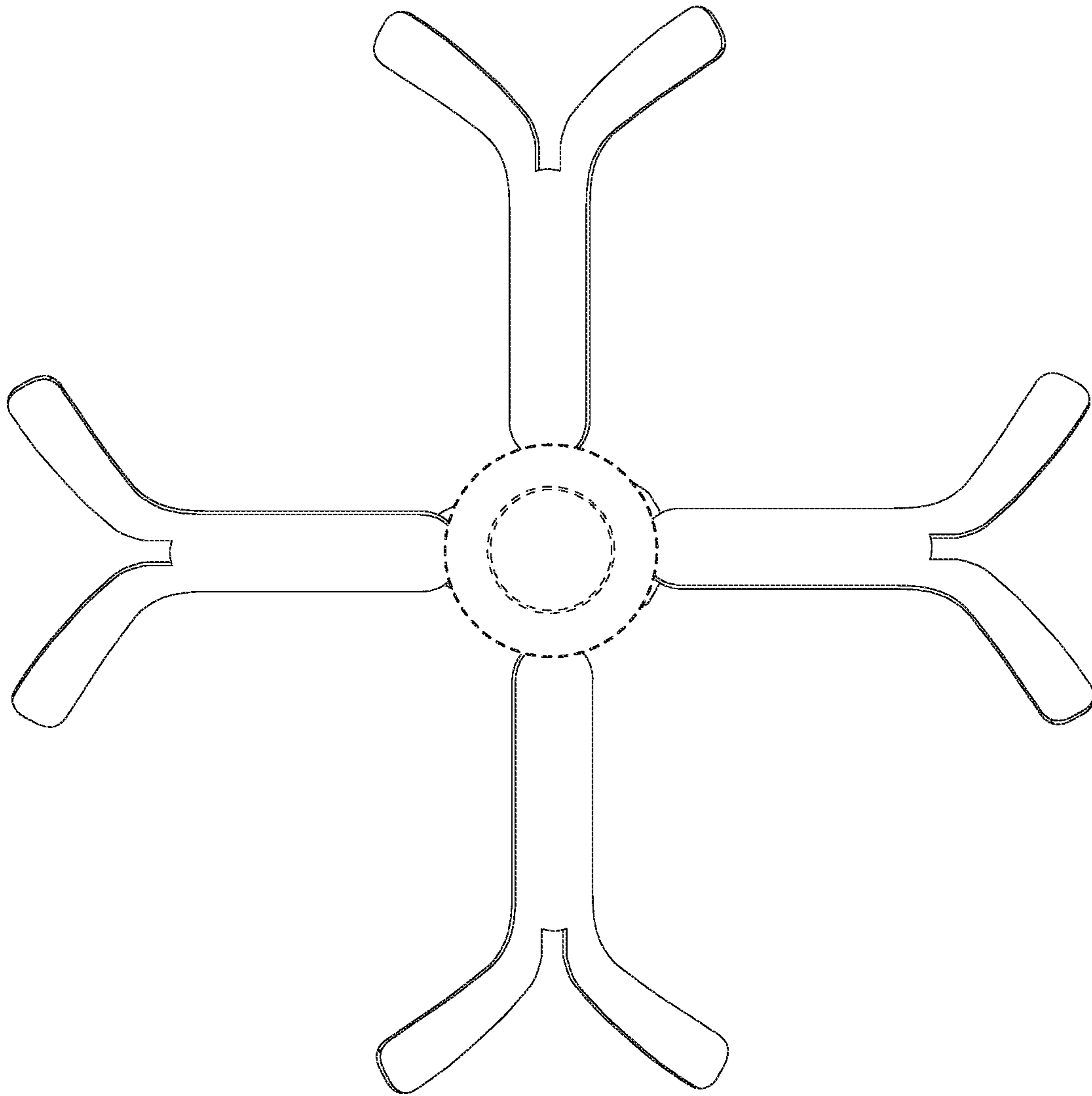


FIG. 2

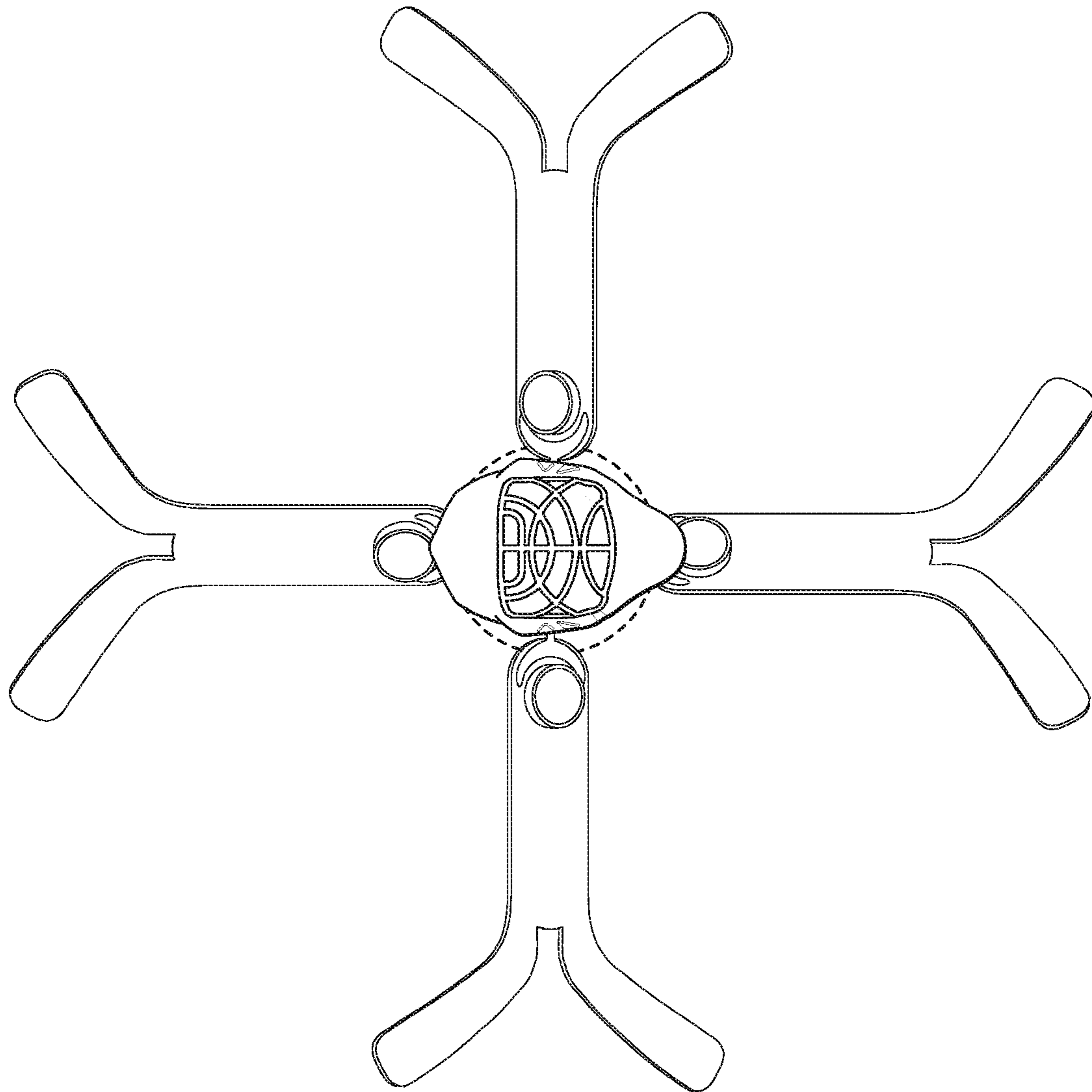


FIG. 3

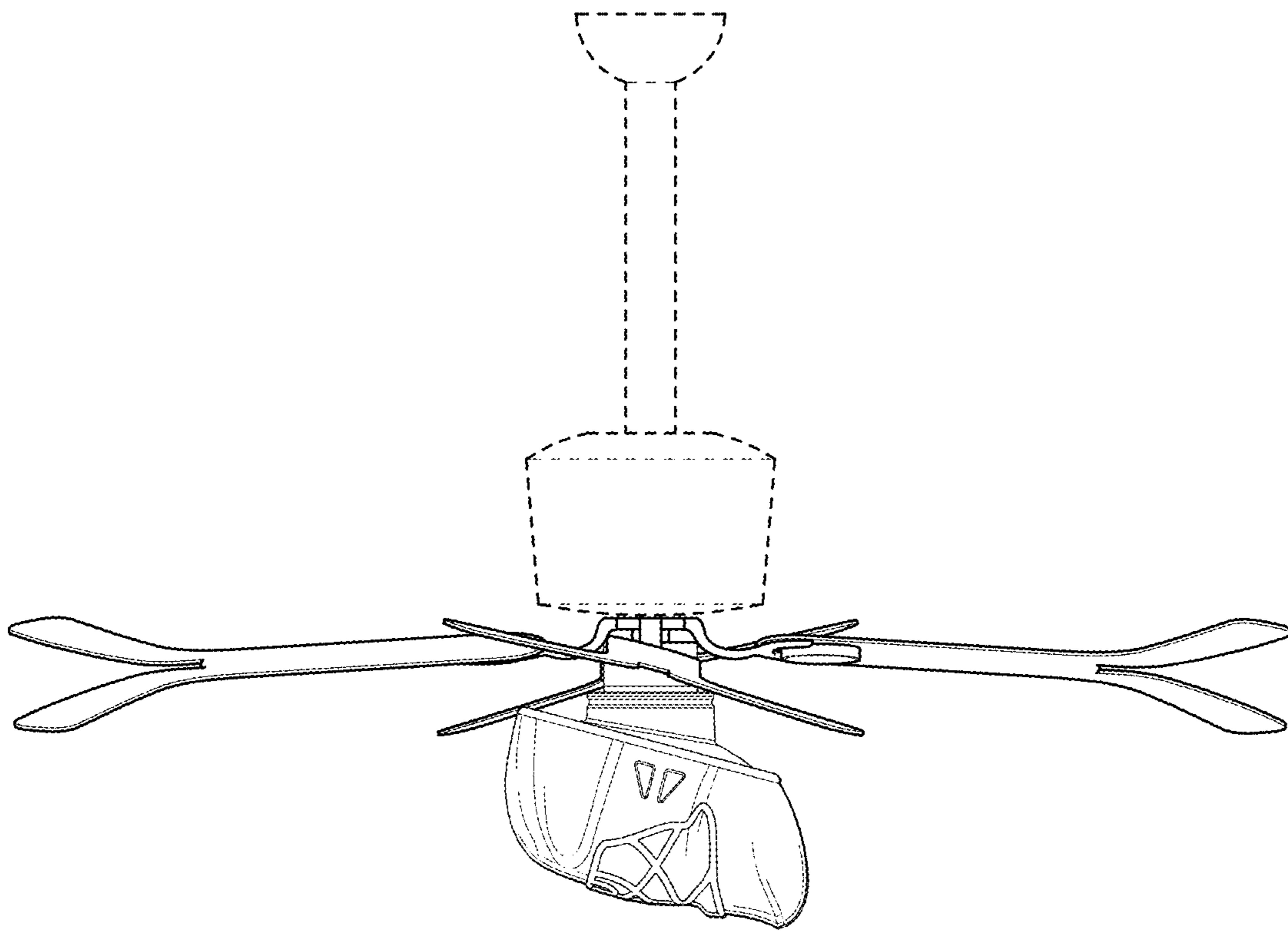


FIG. 4

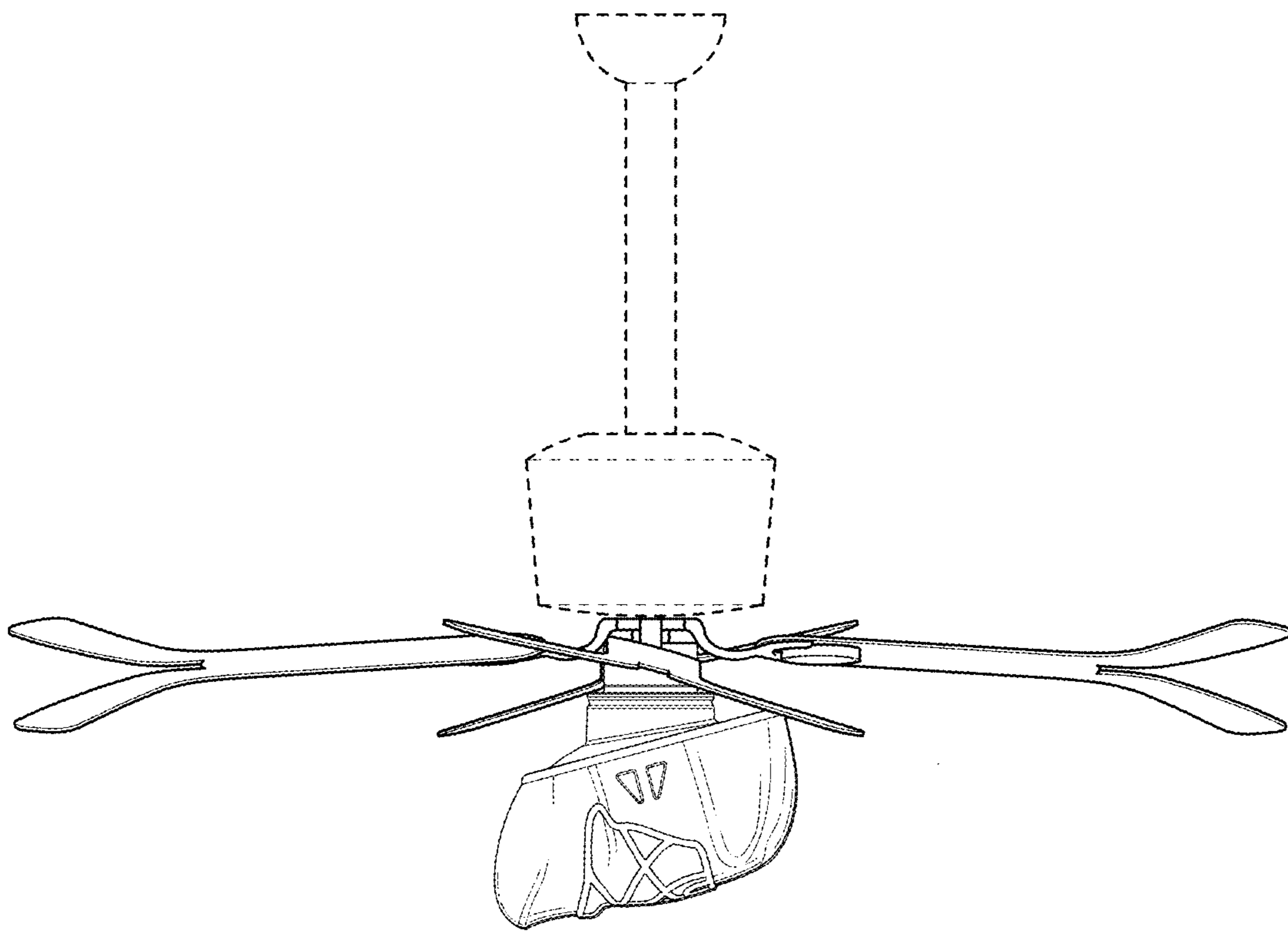


FIG. 5

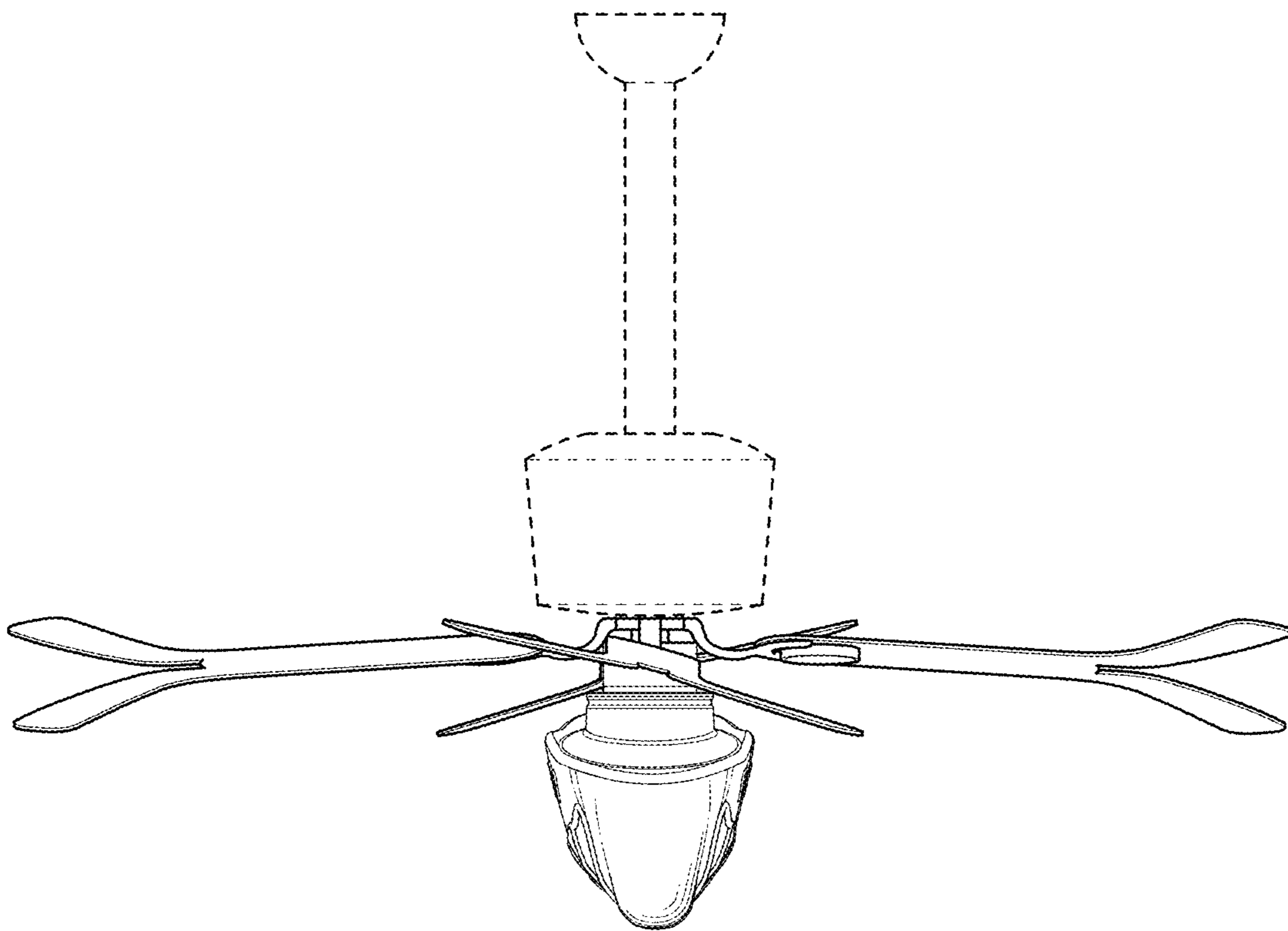


FIG. 6

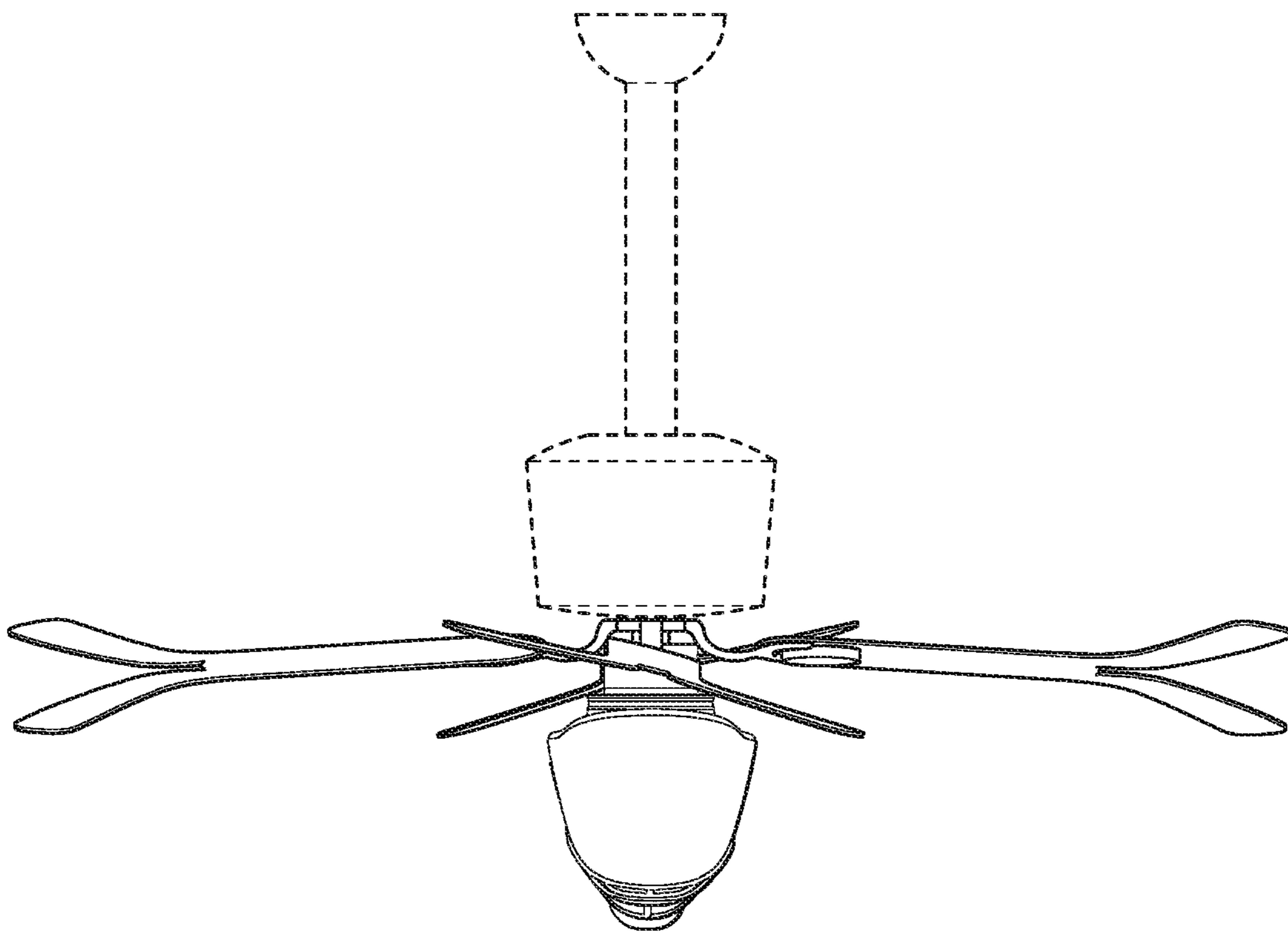


FIG. 7