



US00D958317S

(12) **United States Design Patent** (10) **Patent No.:** **US D958,317 S**  
**Zhao** (45) **Date of Patent:** **\*\* Jul. 19, 2022**

(54) <b>BLADELESS FAN</b>	D722,374 S * 2/2015 Lewis ..... D23/332
	D728,092 S * 4/2015 Poulton ..... D23/370
(71) Applicant: <b>MIDEA GROUP CO., LTD.,</b> Guangdong (CN)	D728,769 S * 5/2015 Dyson ..... D23/370
	D729,376 S * 5/2015 McPherson ..... D23/370
	D729,377 S * 5/2015 Chen ..... D23/378
(72) Inventor: <b>Lei Zhao,</b> Guangdong (CN)	D744,630 S * 12/2015 Ying ..... D23/378
	D768,280 S * 10/2016 Peet ..... D23/370
	D783,140 S * 4/2017 Poulton ..... D23/370
(73) Assignee: <b>MIDEA GROUP CO., LTD.,</b> Foshan (CN)	D888,219 S * 6/2020 Peet ..... D23/370
	D923,166 S * 6/2021 Zhao ..... D23/370
	D923,767 S * 6/2021 Oram ..... D23/356
(**) Term: <b>15 Years</b>	D930,140 S * 9/2021 Fu ..... D23/370
	D939,072 S * 12/2021 Fu ..... D23/370
(21) Appl. No.: <b>35/511,341</b>	2014/0147297 A1 * 5/2014 Iyer ..... F04D 29/5826 417/158

(22) Filed: **Oct. 30, 2020**

\* cited by examiner

(80) **Hague Agreement Data**

*Primary Examiner* — Natasha Vujcic

Int. Filing Date: **Oct. 30, 2020**  
Int. Reg. No.: **DM/212525**  
Int. Reg. Date: **Oct. 30, 2020**  
Int. Reg. Pub. Date: **Feb. 12, 2021**

(74) *Attorney, Agent, or Firm* — Morgan, Lewis & Bockius LLP

(30) **Foreign Application Priority Data**

(57) **CLAIM**

Jul. 3, 2020 (CN) ..... 202030355438.8

The ornamental design for a bladeless fan, as shown and described.

(51) **LOC (13) Cl.** ..... **23-04**

(52) **U.S. Cl.**  
USPC ..... **D23/370**

(58) **Field of Classification Search**  
USPC ..... D23/370–385, 411–414; D13/179  
CPC ..... F04D 25/088; F04D 25/06; F04D 29/38;  
F04D 29/522; F04D 29/5853; F04D  
29/326; F01P 5/02

**DESCRIPTION**

See application file for complete search history.

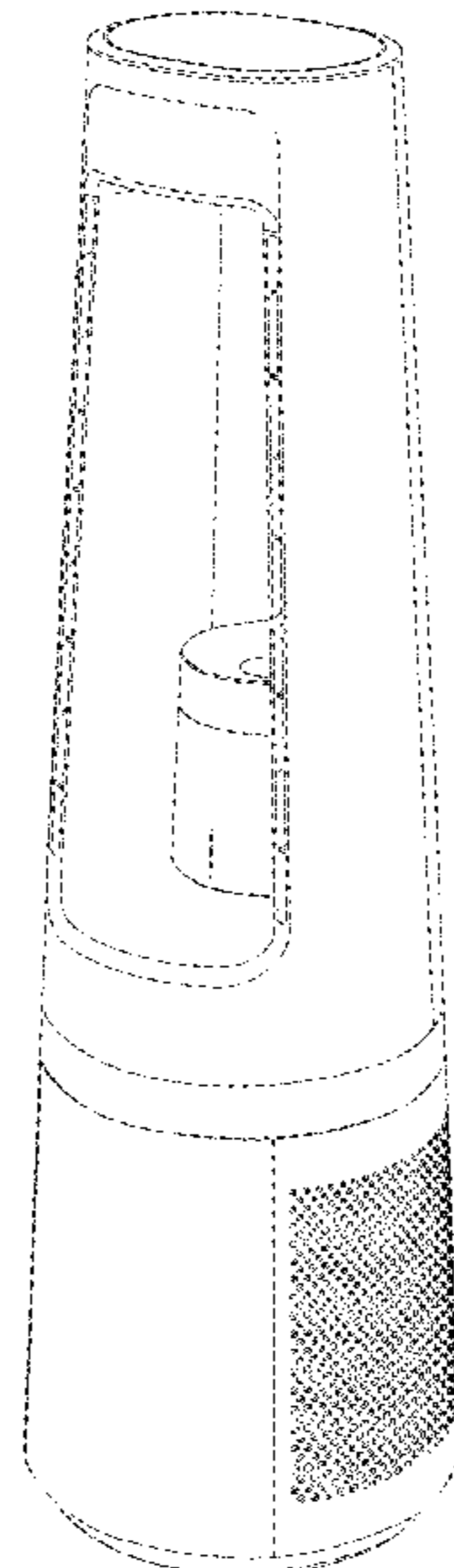
- 1. Bladeless fan
- 1.1 : Front
- 1.2 : Back
- 1.3 : Left
- 1.4 : Right
- 1.5 : Top
- 1.6 : Bottom
- 1.7 : Perspective

(56) **References Cited**

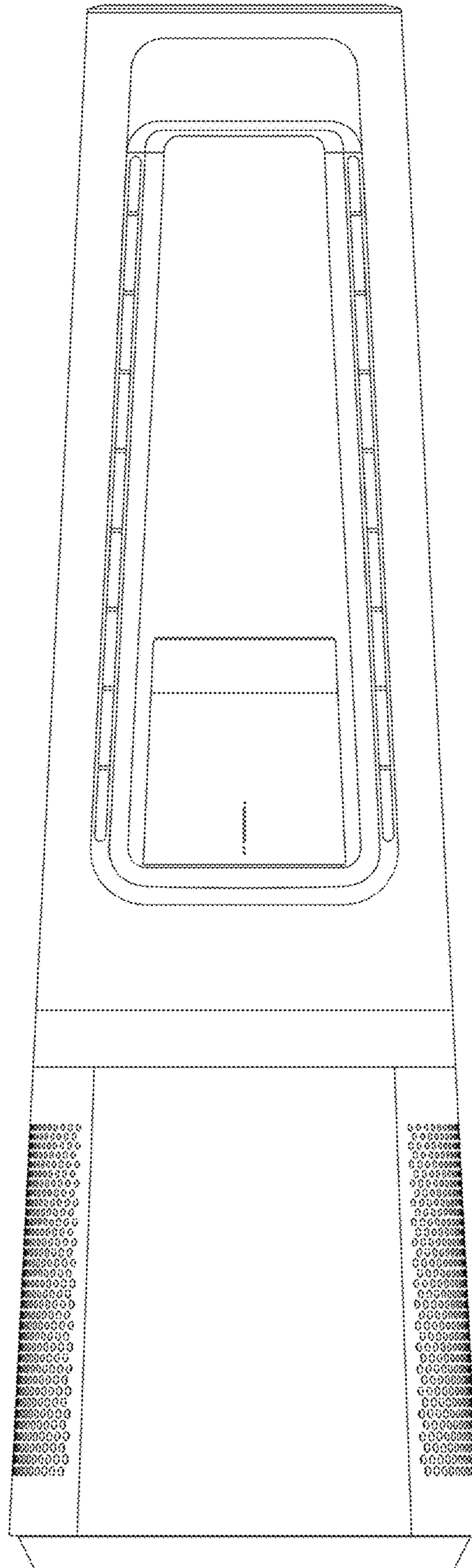
U.S. PATENT DOCUMENTS

**1 Claim, 7 Drawing Sheets**

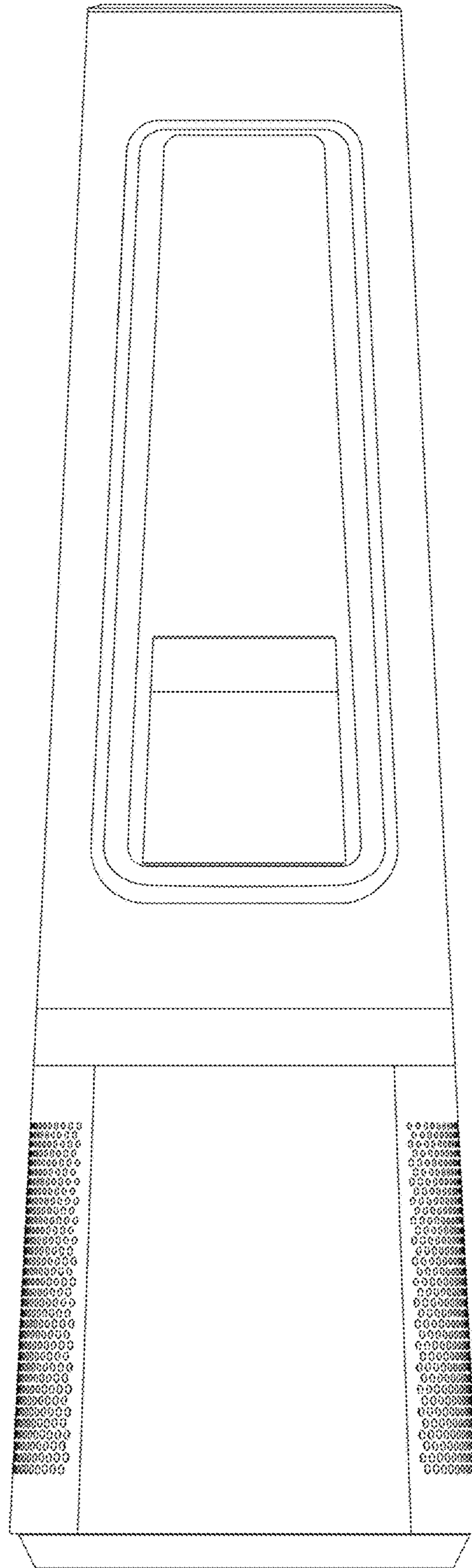
D638,114 S \* 5/2011 Li ..... D23/370  
D705,415 S \* 5/2014 Lo ..... D23/370



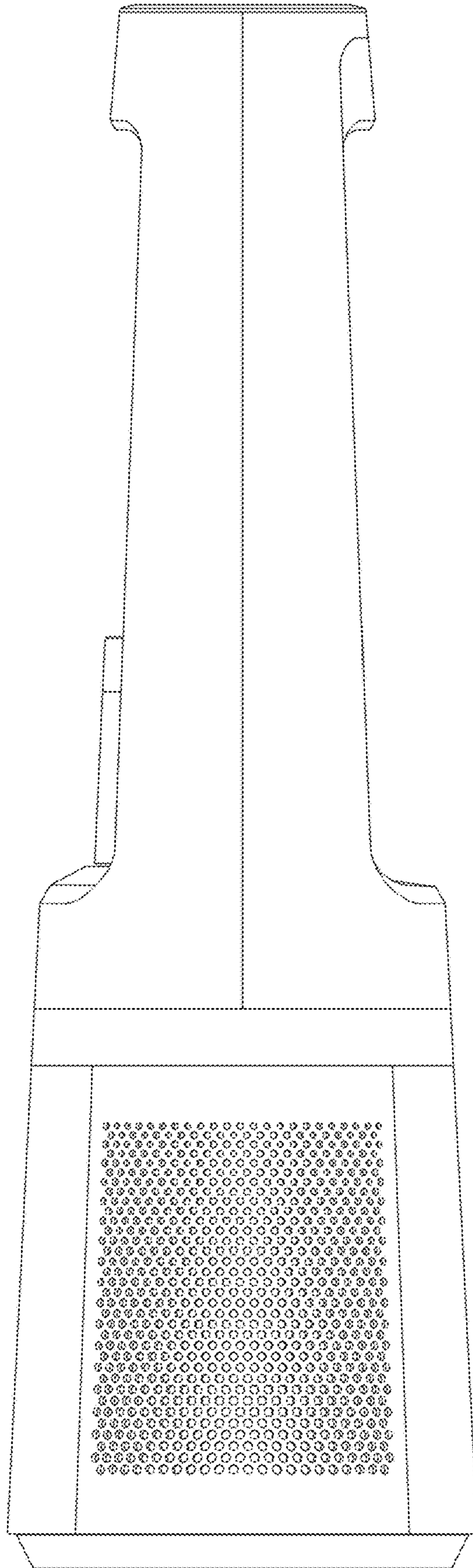
1.1



1.2

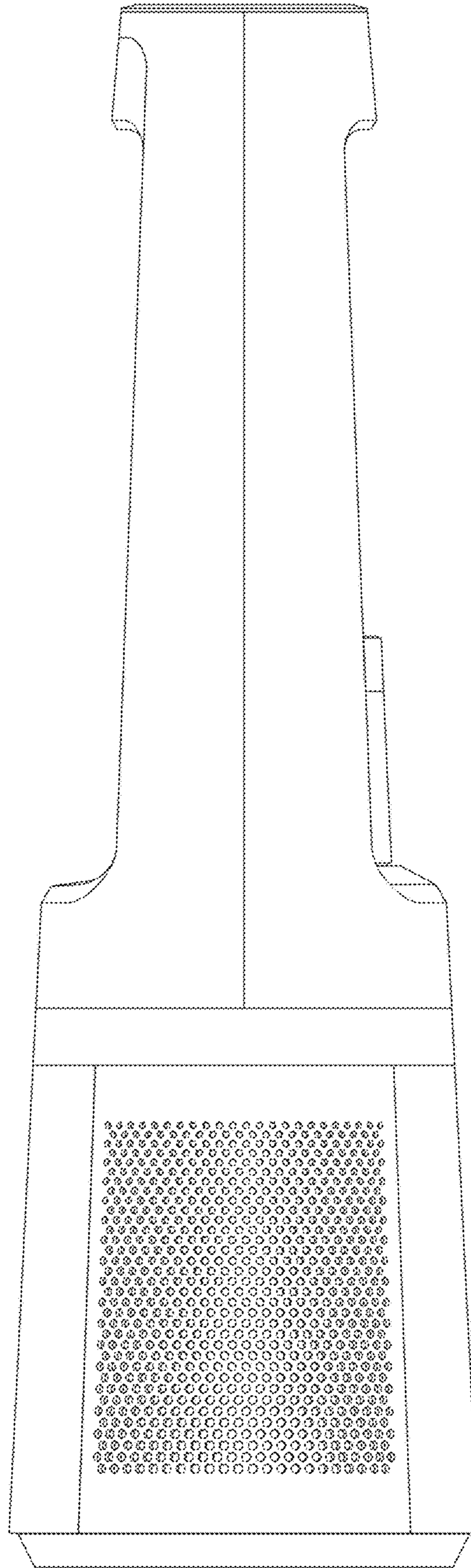


1.3

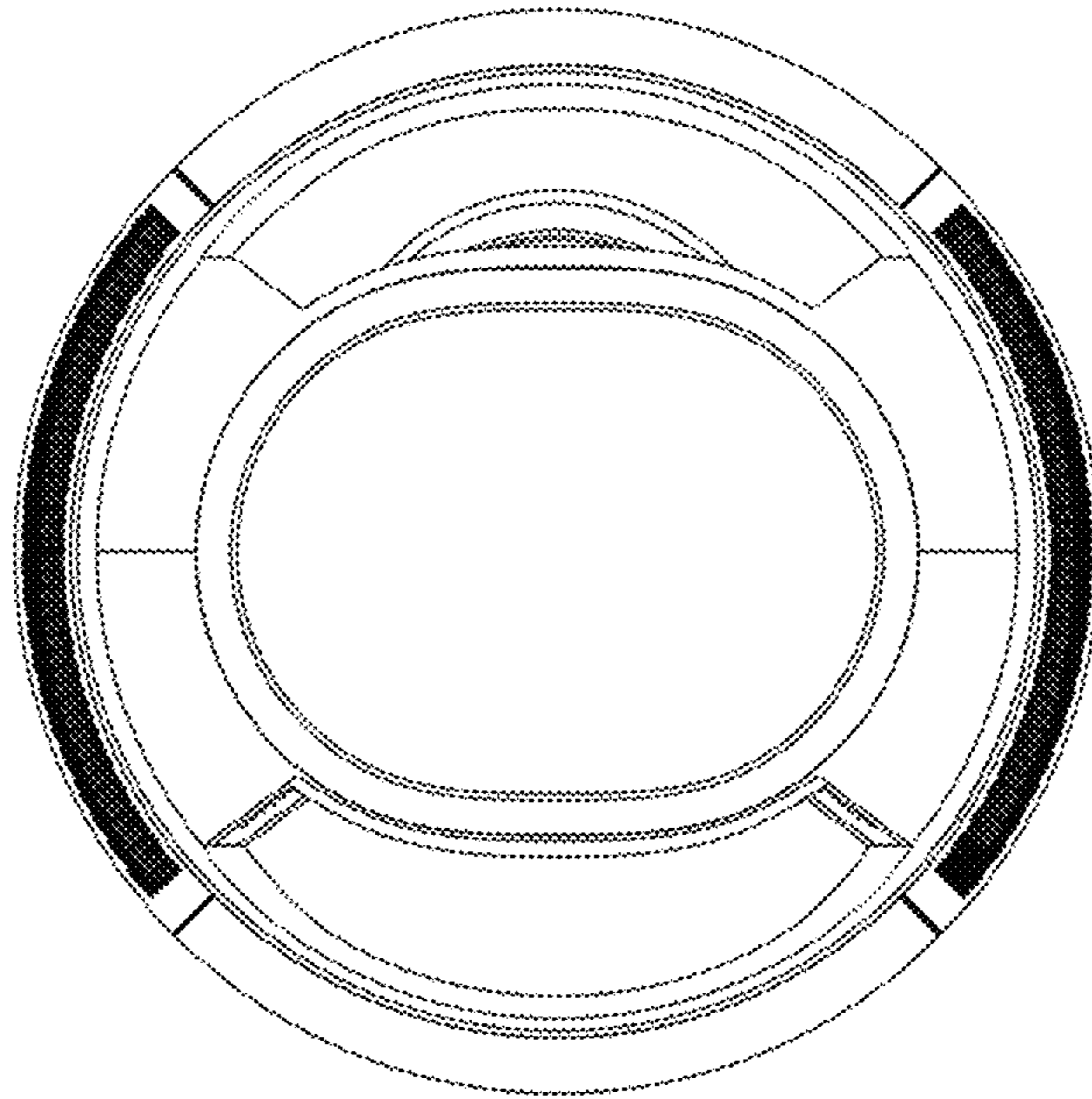




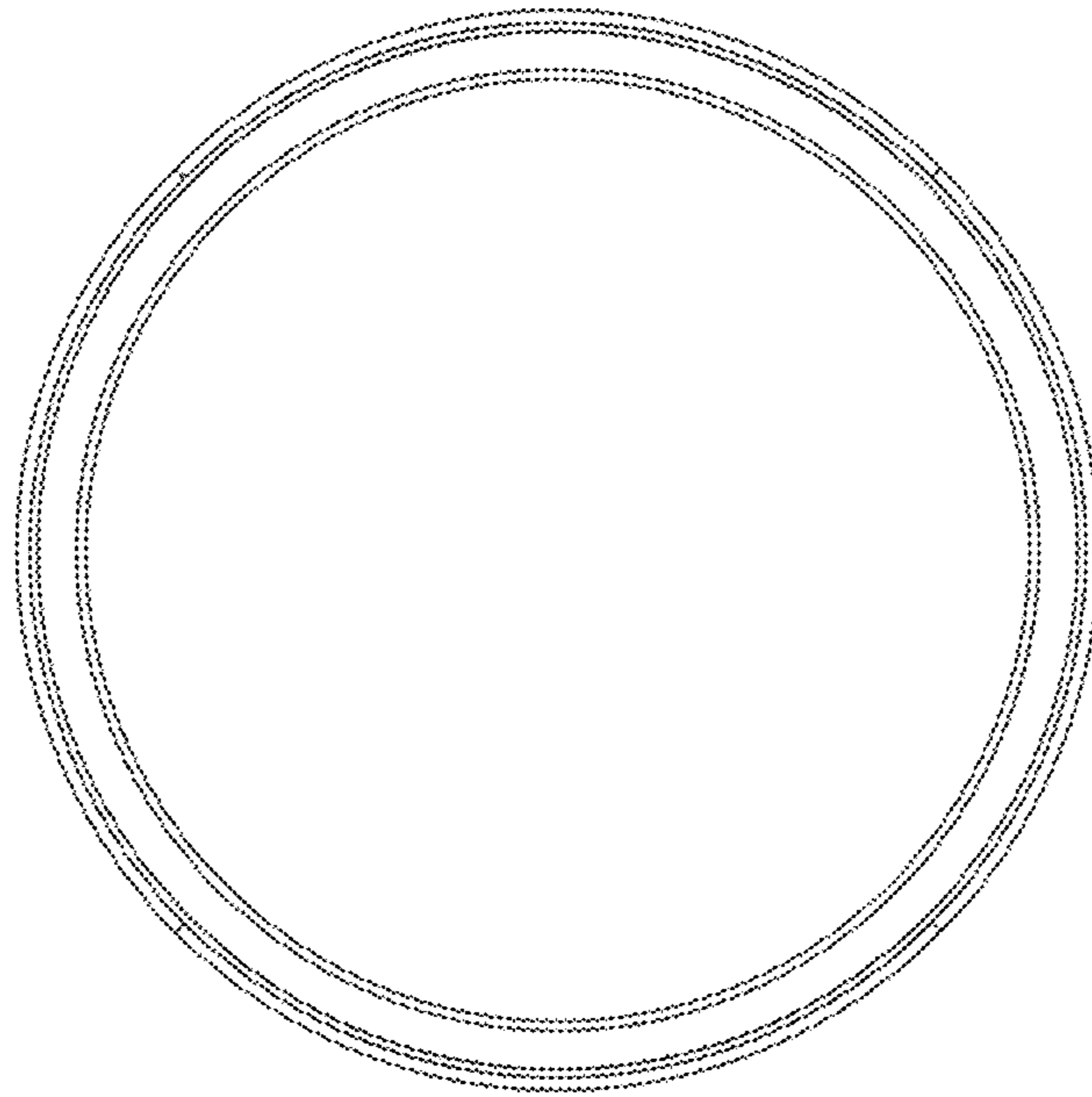
1.4



1.5



1.6



1.7

