



US00D958316S

(12) **United States Design Patent**
Wu

(10) **Patent No.:** **US D958,316 S**
(45) **Date of Patent:** **** Jul. 19, 2022**

(54) **OZONE GENERATOR**

(71) Applicant: **Weibin Wu**, Guangdong (CN)

(72) Inventor: **Weibin Wu**, Guangdong (CN)

(**) Term: **15 Years**

(21) Appl. No.: **29/785,810**

(22) Filed: **May 27, 2021**

(51) **LOC (13) Cl.** **23-04**

(52) **U.S. Cl.**
USPC **D23/366**

(58) **Field of Classification Search**
USPC D23/200, 206, 207, 209, 366; D15/79;
D14/140.4, 188
CPC A23B 4/30; A23B 7/157; A23L 3/358; C01B
13/11; C02F 1/78; A61L 2/202; A61L
9/12

See application file for complete search history.

(56) **References Cited**

U.S. PATENT DOCUMENTS

D752,178 S	3/2016	Mjelde	
D834,073 S *	11/2018	Adomat	D15/79
D884,864 S *	5/2020	Sun	D23/364
D886,270 S *	6/2020	Walton	D23/359
D887,982 S	6/2020	Schmidt	
D901,620 S *	11/2020	Casey	D23/207
D906,502 S *	12/2020	Lu	D23/364
D920,403 S *	5/2021	Gou	D15/144

D933,799 S *	10/2021	Cheng	D23/366
D942,391 S *	2/2022	Yin	D13/110
2020/0317518 A1 *	10/2020	Schmidt	A61L 9/12

OTHER PUBLICATIONS

Villa 3000 Ozone Generator [Apr. 16, 2022] found online [Apr. 16, 2022]—https://www.odorfreemachines.com/villa-3000/?utm_source=google&utm_medium=organic&utm_campaign=surfaces-across-google&bidkw=&dvc=c&gclid=EAIALQobChM1qtn2o7GZ9w1VN8LCBB1_dQXvEAYYASABEgLKmvD_BwE.*

* cited by examiner

Primary Examiner — John A Voytek
(74) *Attorney, Agent, or Firm* — ScienBiziP, P.C.

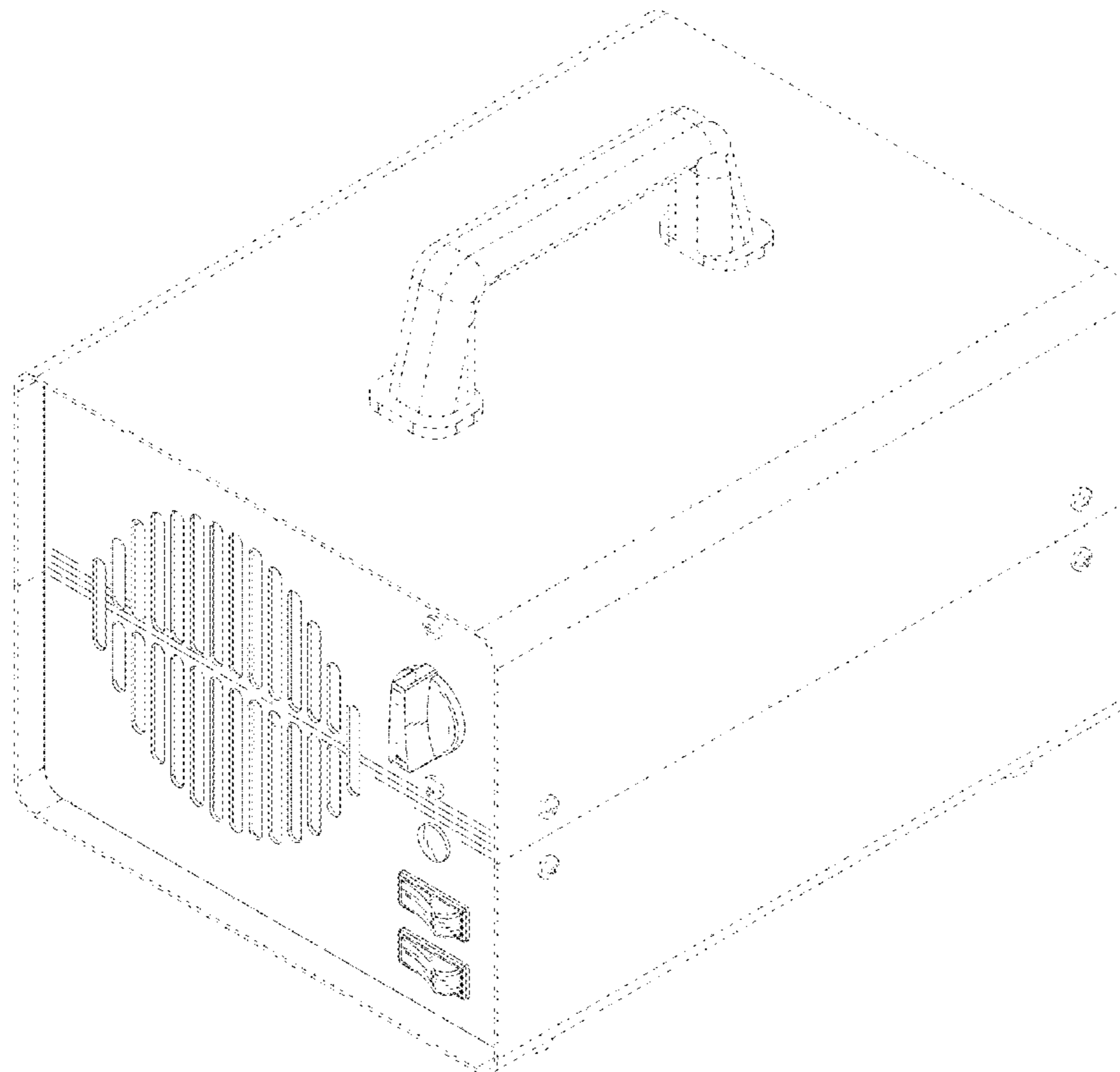
(57) **CLAIM**

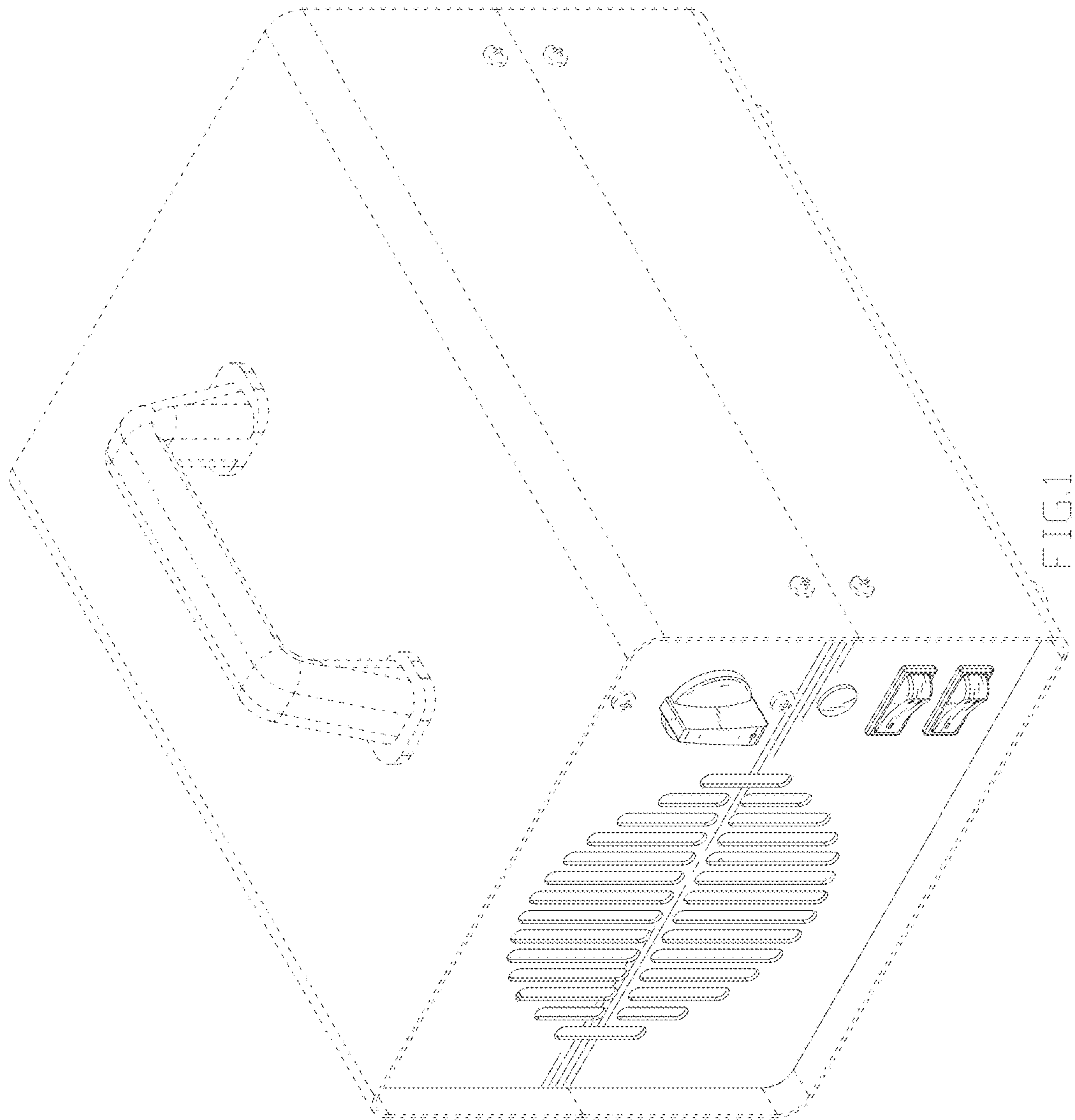
The ornamental design for an ozone generator, as shown and described.

DESCRIPTION

FIG. 1 is a front, right, and top perspective view of an ozone generator, showing my design.
FIG. 2 is a front elevation view thereof.
FIG. 3 is a rear elevation view thereof.
FIG. 4 is a left side elevation view thereof.
FIG. 5 is a right side elevation view thereof.
FIG. 6 is a top plan view thereof; and,
FIG. 7 is a bottom plan view thereof.
The broken lines shown in the drawings are included for the purpose of illustrating portions of the ozone generator that form no part of the claimed design.

1 Claim, 7 Drawing Sheets





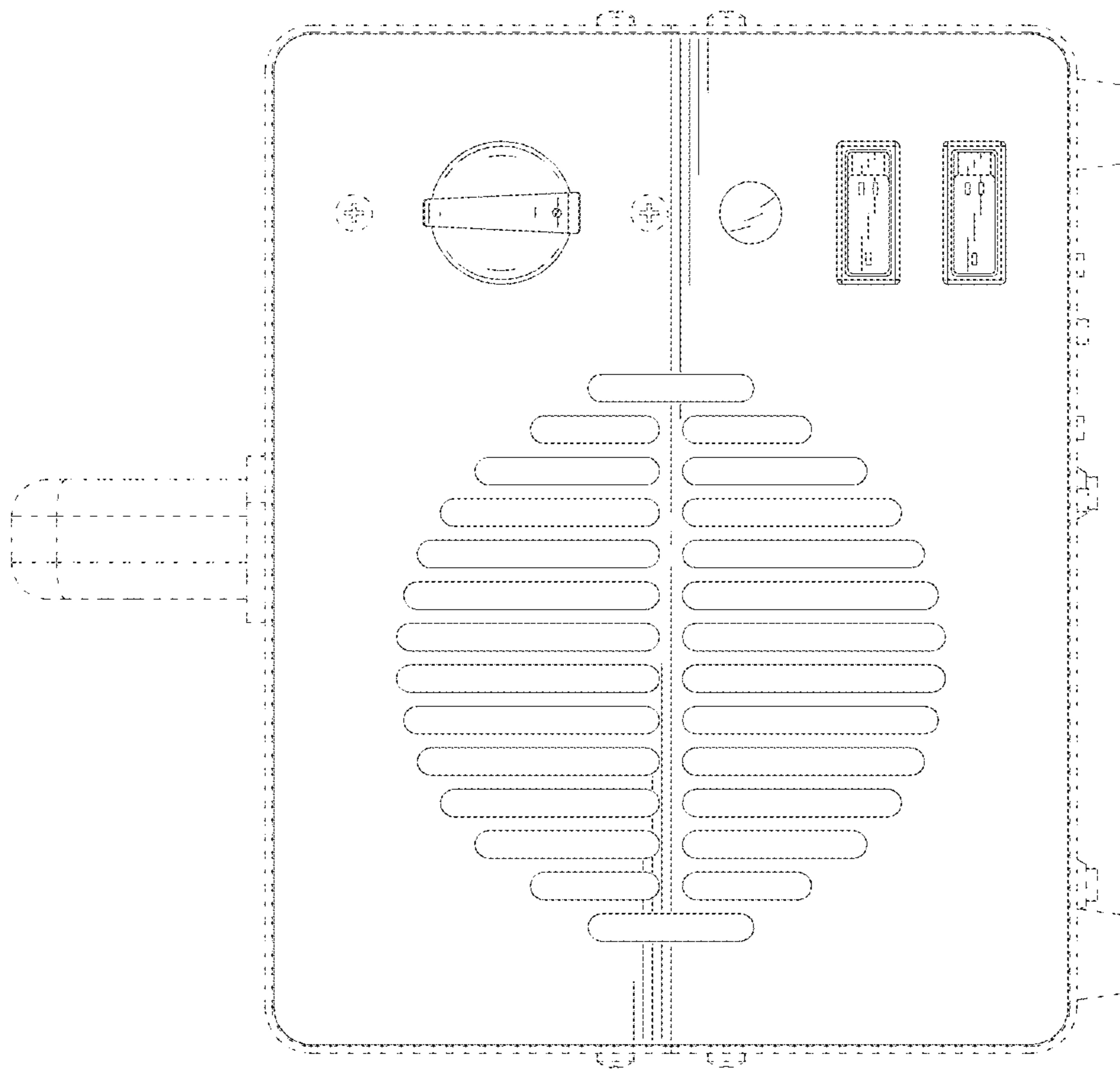


FIG. 2

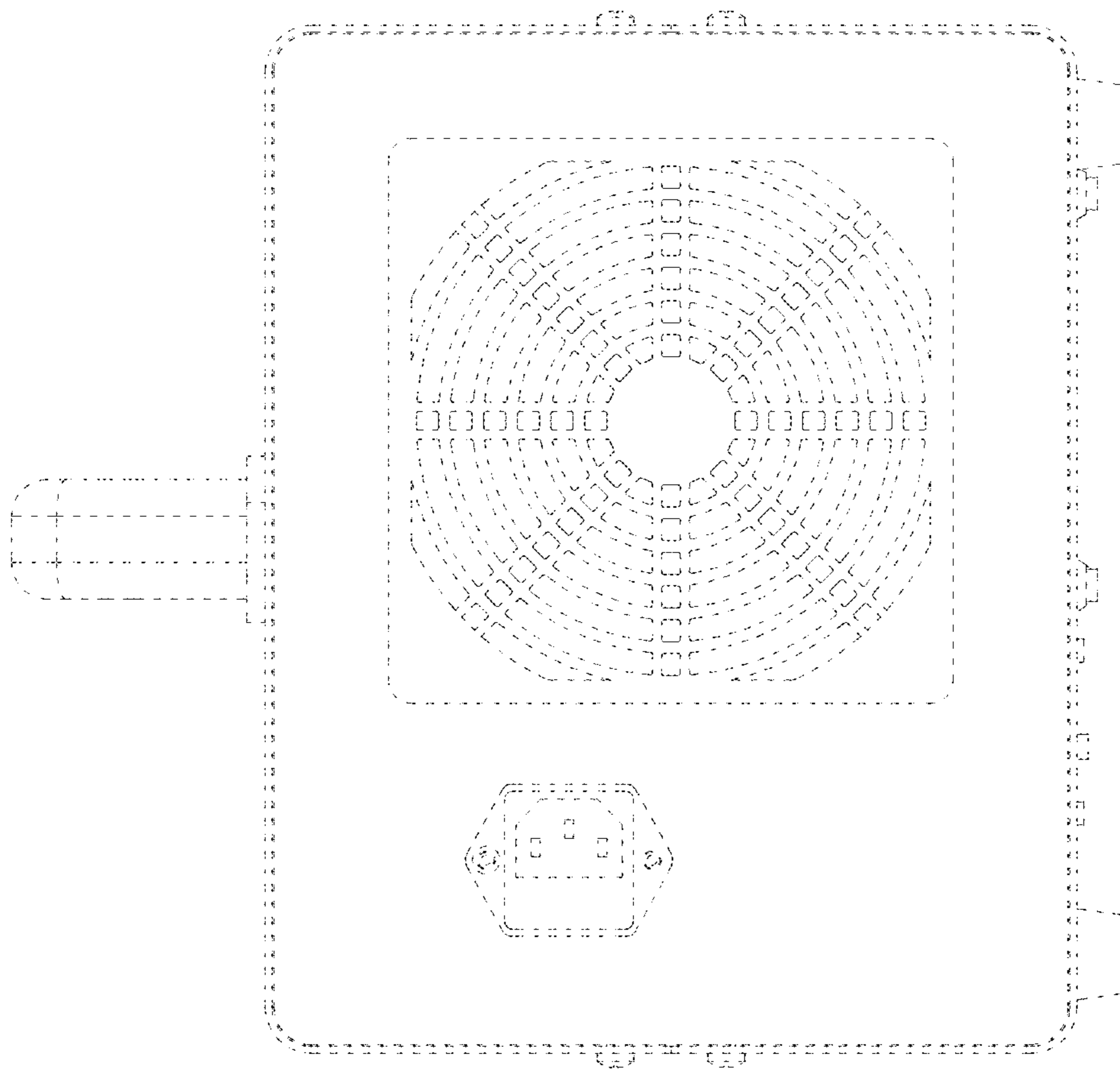


FIG. 3

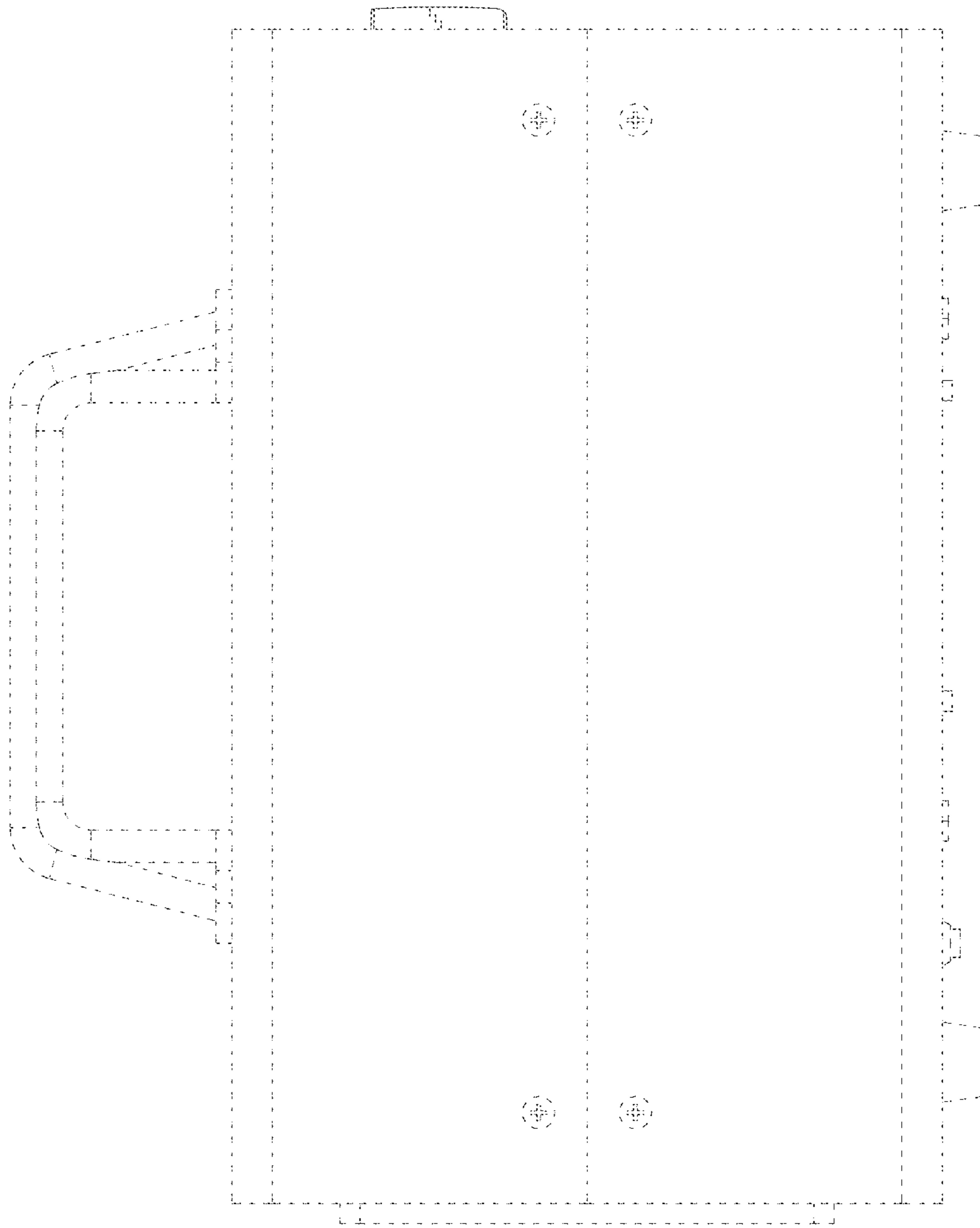


FIG. 4

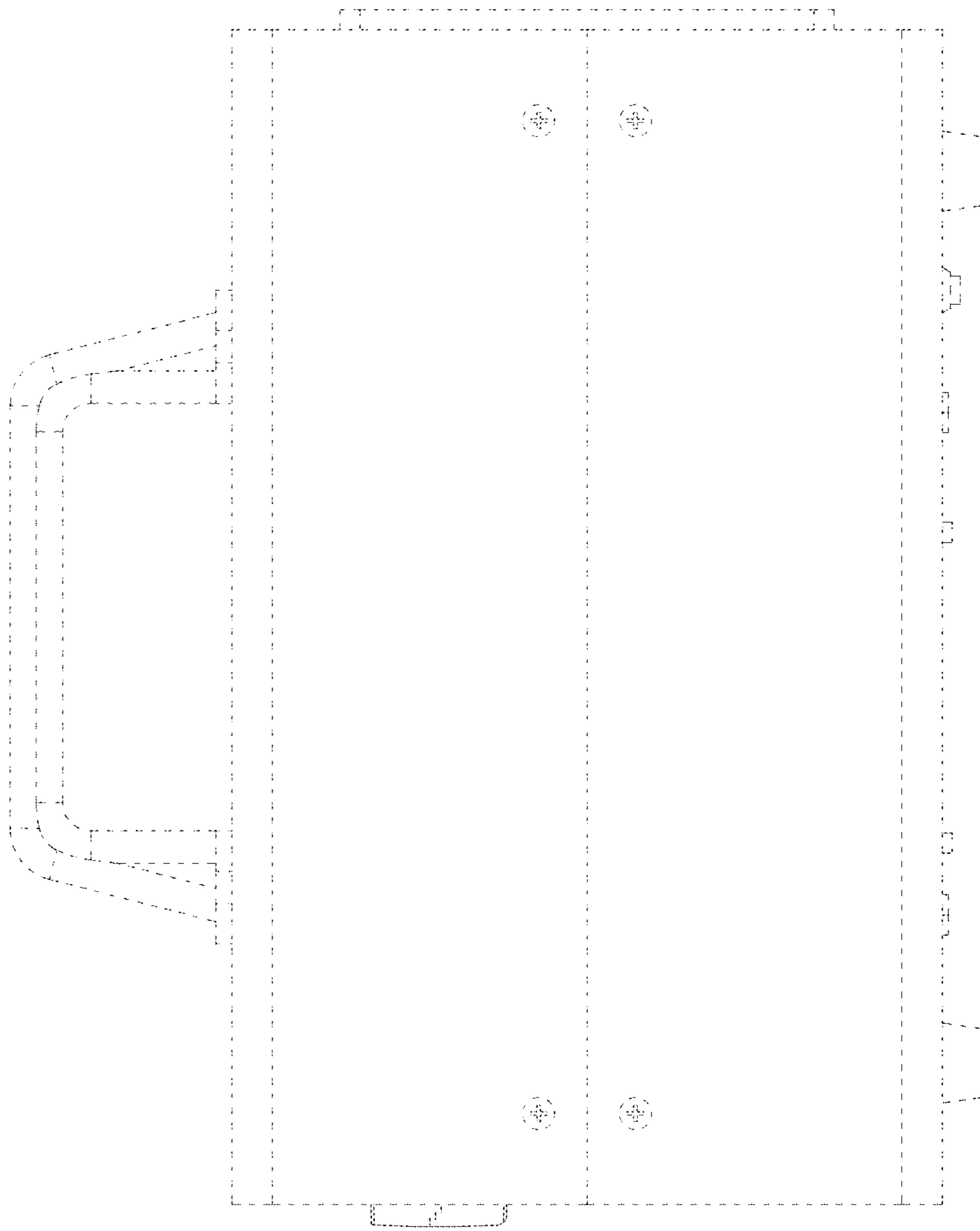


FIG. 5

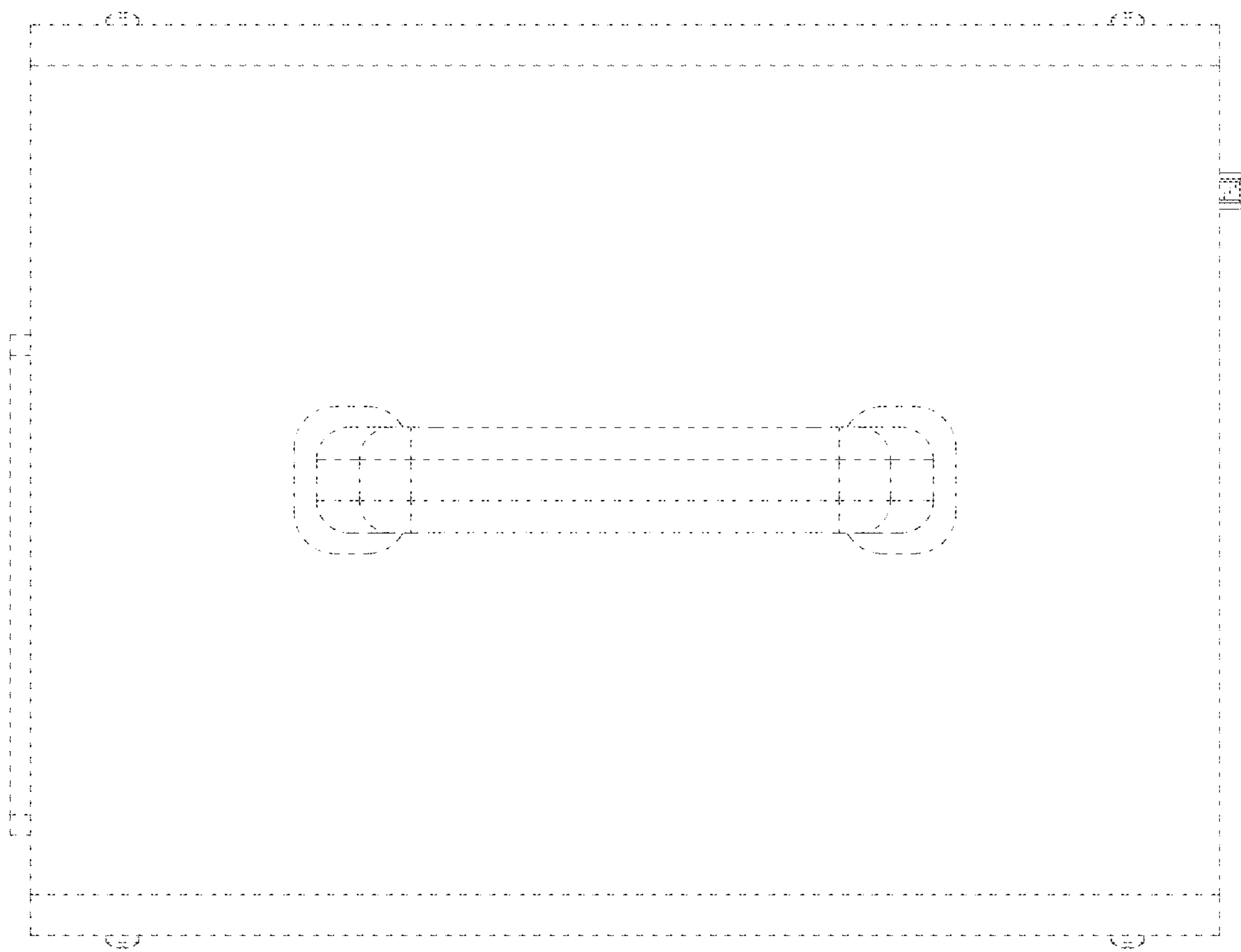


FIG. 6



FIG. 7