



US00D958314S

(12) **United States Design Patent**
Xi et al.

(10) **Patent No.:** **US D958,314 S**
(45) **Date of Patent:** **** Jul. 19, 2022**

(54) **AIR PURIFIER**
(71) Applicants: **BEIJING XIAOMI MOBILE SOFTWARE CO., LTD.**, Beijing (CN); **Beijing Smartmi Technology Co., Ltd.**, Beijing (CN)
(72) Inventors: **Guang Xi**, Beijing (CN); **Lei Jia**, Beijing (CN)

D876,599 S * 2/2020 He D23/364
D885,543 S * 5/2020 Wang D23/364
D893,009 S * 8/2020 Choi D23/364
D912,236 S * 3/2021 Hernandez D23/364
D918,367 S * 5/2021 Li D23/359
D919,780 S * 5/2021 Li D23/359
11,077,399 B2 * 8/2021 Choi B01D 53/265
D936,200 S * 11/2021 Yang D23/364
D947,333 S * 3/2022 Huang D23/359
D947,334 S * 3/2022 Wen D23/359
D948,012 S * 4/2022 Huang D23/359

(73) Assignees: **BEIJING XIAOMI MOBILE SOFTWARE CO., LTD.**, Beijing (CN); **Beijing Smartmi Technology Co., Ltd.**, Beijing (CN)

FOREIGN PATENT DOCUMENTS

KR 3010457240000 S 2/2020
RU 104232 S 7/2017

(**) Term: **15 Years**

OTHER PUBLICATIONS

(21) Appl. No.: **29/770,267**

Notice of Allowance of the Russian application No. 2021500553, dated Aug. 25, 2021.

(22) Filed: **Feb. 10, 2021**

* cited by examiner

(30) **Foreign Application Priority Data**

Aug. 17, 2020 (CN) 202030469761.8

Primary Examiner — David G Muller

(51) **LOC (13) Cl.** **23-04**

(74) *Attorney, Agent, or Firm* — Syncoda LLC; Feng Ma

(52) **U.S. Cl.**
USPC **D23/364**

(57) **CLAIM**

(58) **Field of Classification Search**
USPC D23/355–366, 352, 369, 332, 333, 335, D23/336, 342, 351; 422/120, 122; 55/356, 473, 504; 96/97; 261/DIG. 17, 261/DIG. 65, DIG. 88, DIG. 31
CPC .. A61L 9/16; A61L 9/22; B01D 47/00; B01D 47/027; B01D 2221/02; B01D 2259/4508; B03C 3/155; B03C 3/368; F24F 3/16; F24F 13/20; F24F 13/28
See application file for complete search history.

The ornamental design for an air purifier, as shown and described.

DESCRIPTION

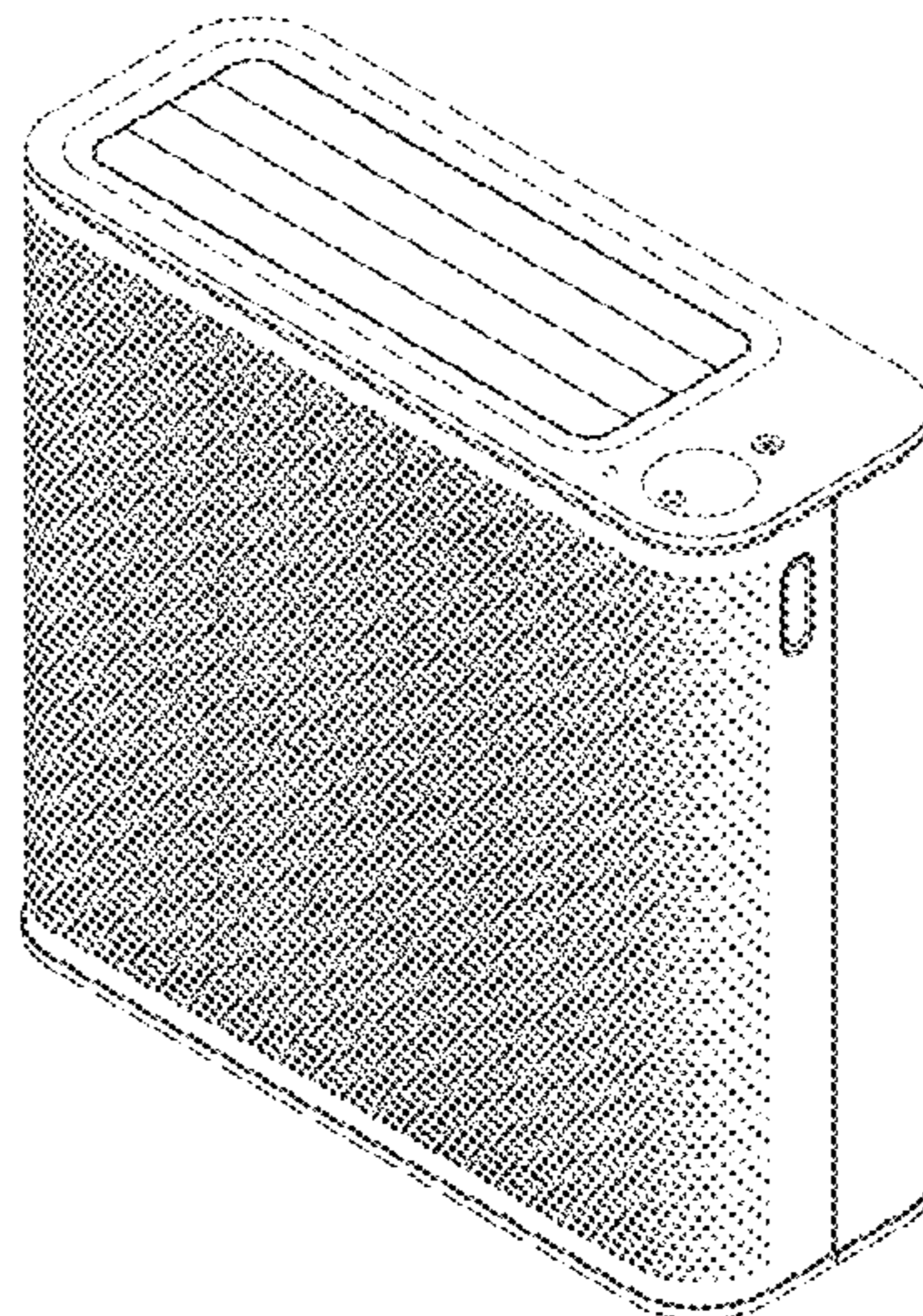
(56) **References Cited**

U.S. PATENT DOCUMENTS

D834,165 S * 11/2018 Maeng D23/364
D844,766 S * 4/2019 Miao D23/364

FIG. 1 is a front view of an air purifier showing the new design;
FIG. 2 is a back view thereof;
FIG. 3 is a left side view thereof;
FIG. 4 is a right side view thereof;
FIG. 5 is a top view thereof;
FIG. 6 is a bottom view thereof;
FIG. 7 is a front, right side perspective view thereof;
FIG. 8 is a back, right side perspective view thereof; and,
FIG. 9 is a perspective view showing that the baffle at the air outlet of the air purifier of FIG. 7 is opened.

1 Claim, 9 Drawing Sheets



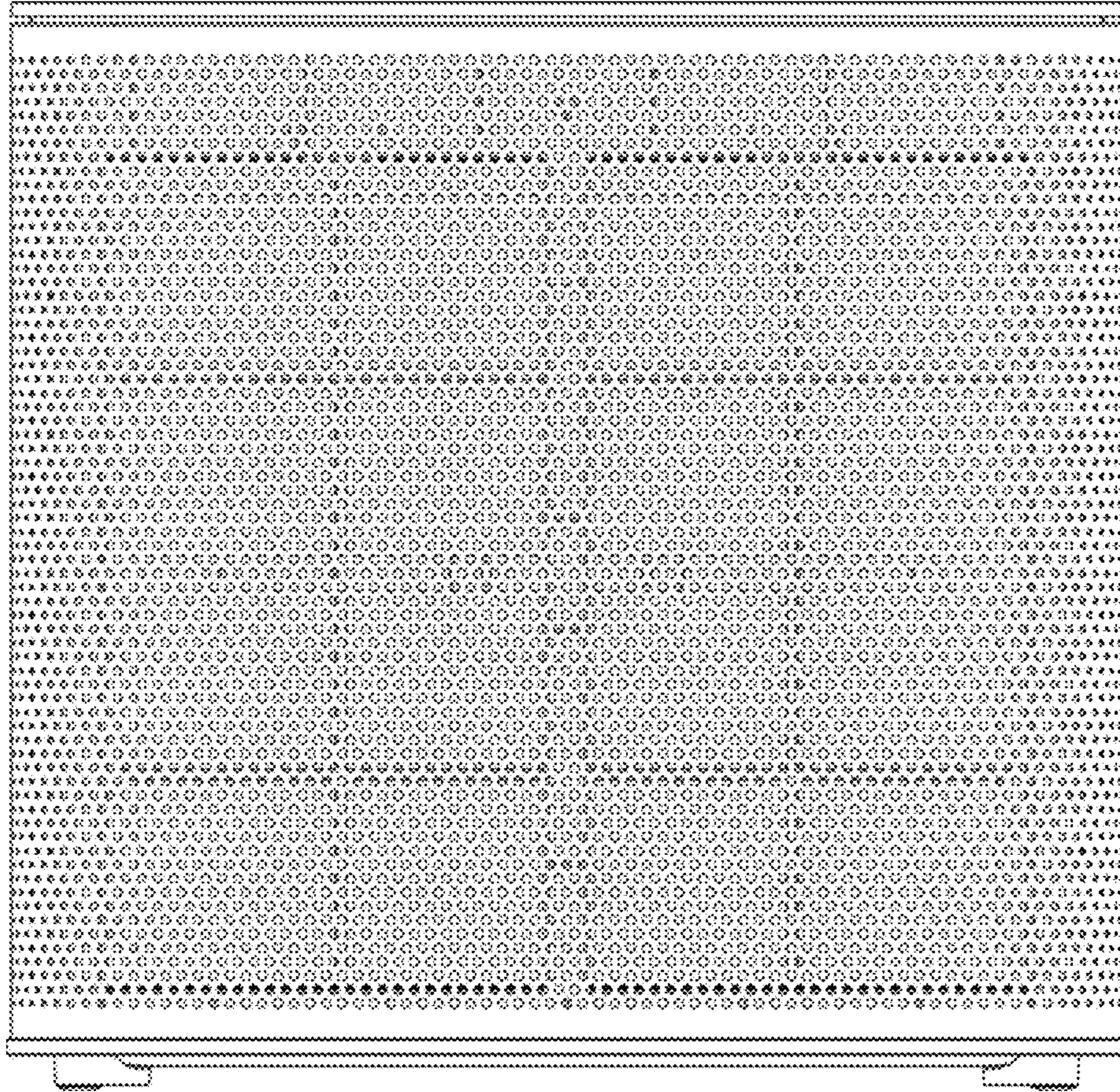


FIG.1

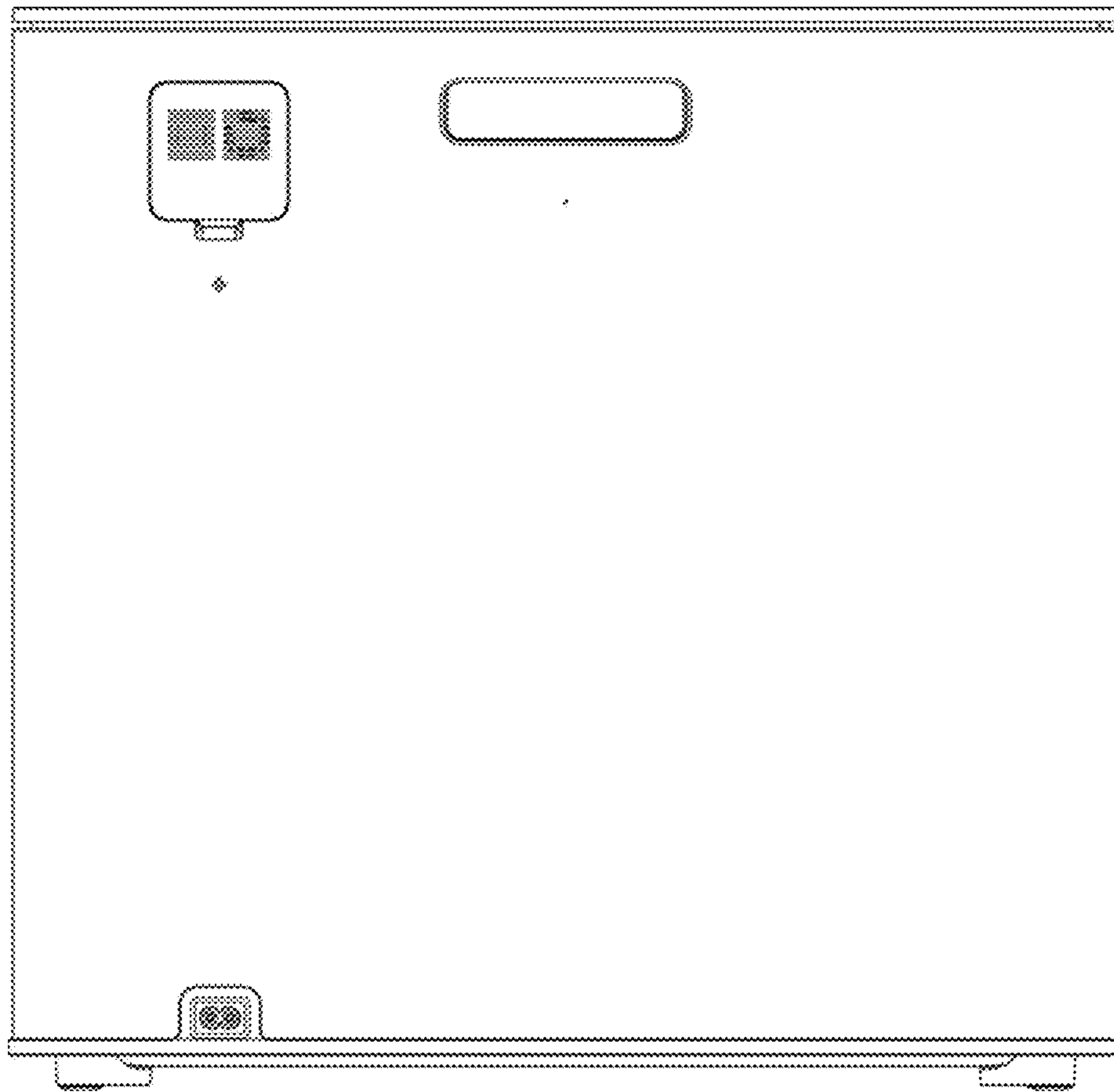


FIG.2

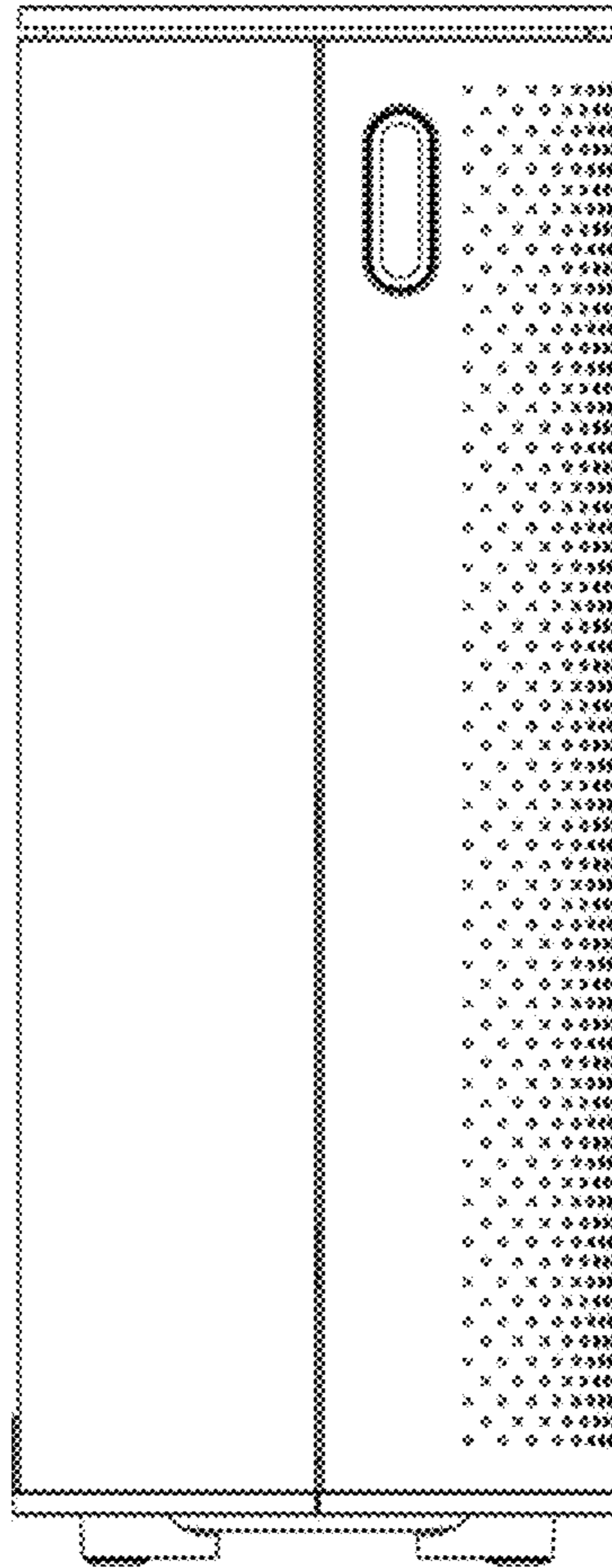


FIG.3

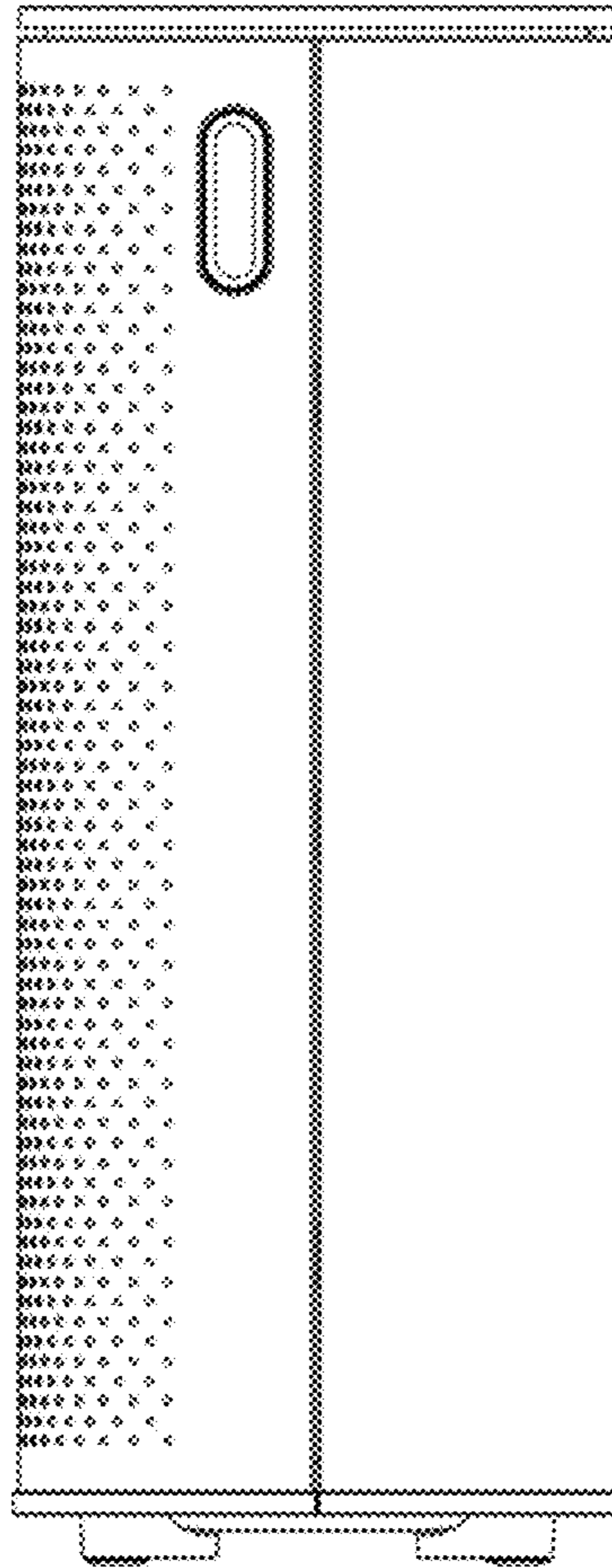


FIG.4

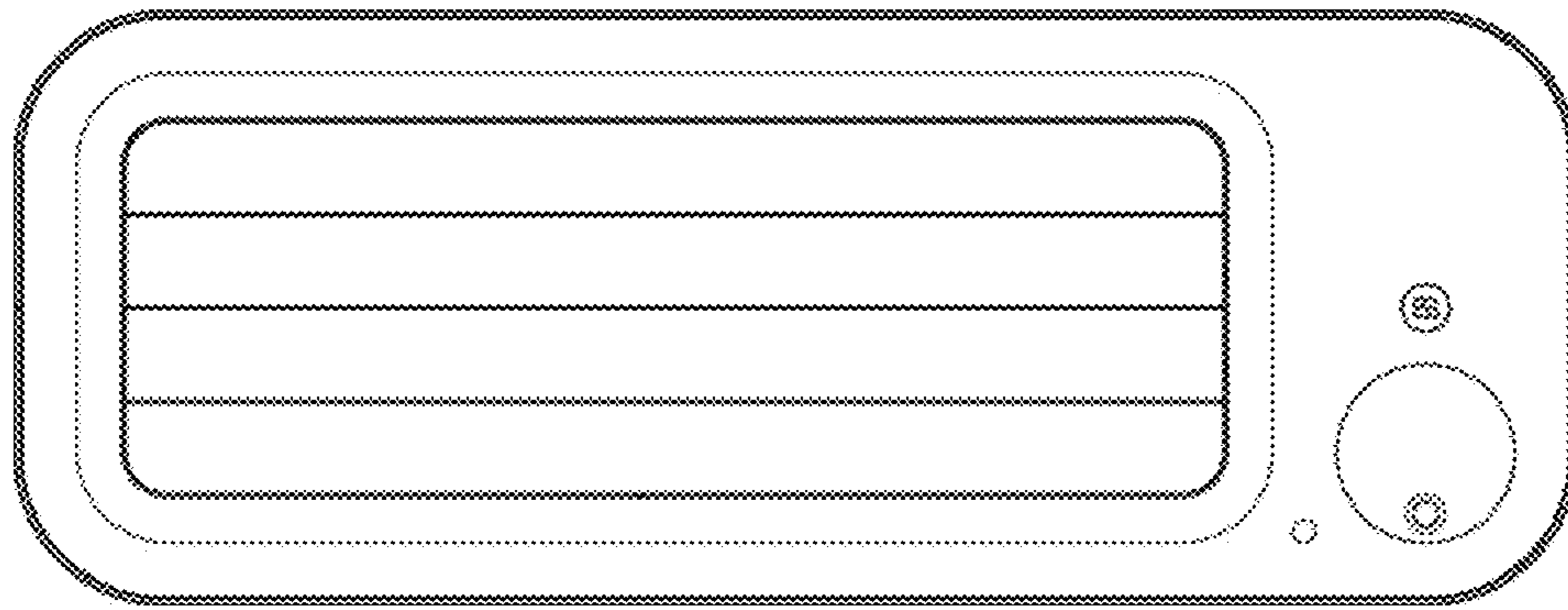


FIG.5

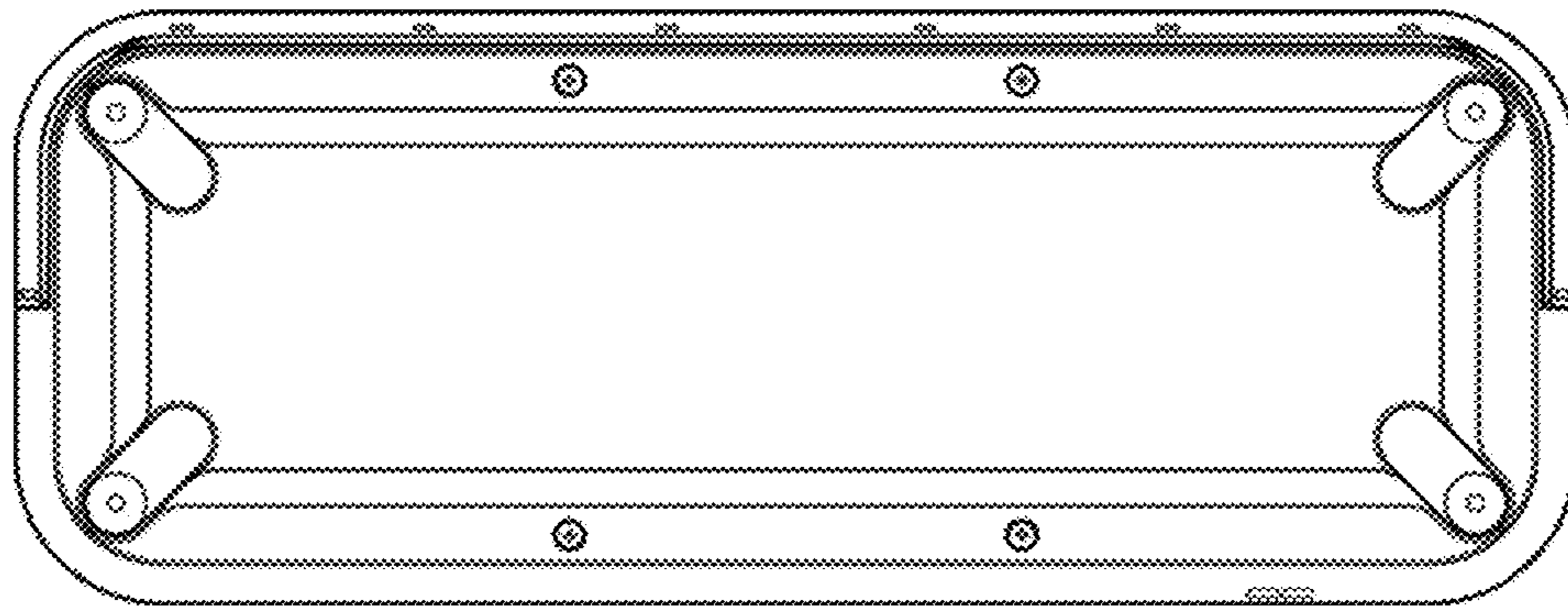


FIG.6

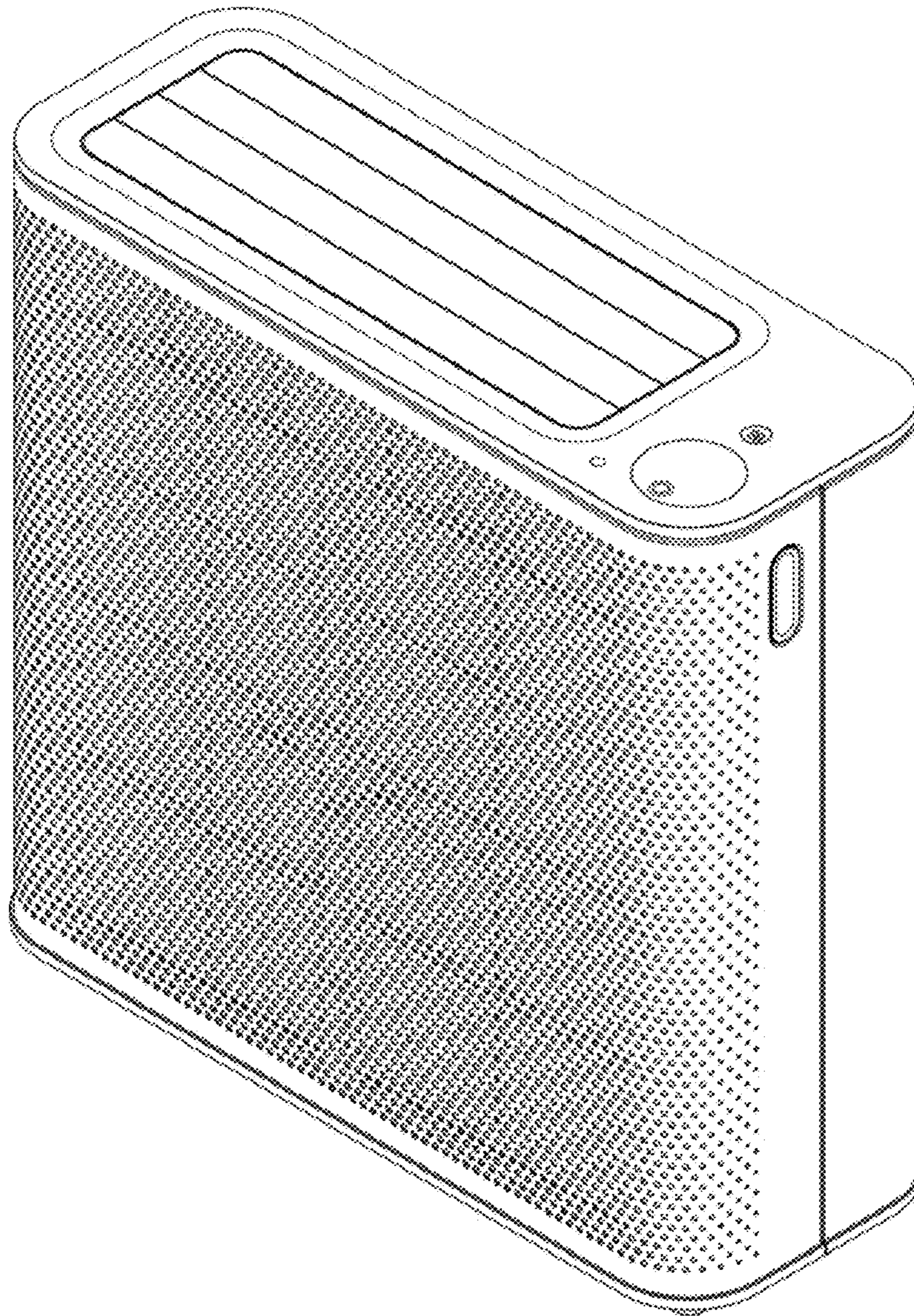


FIG.7

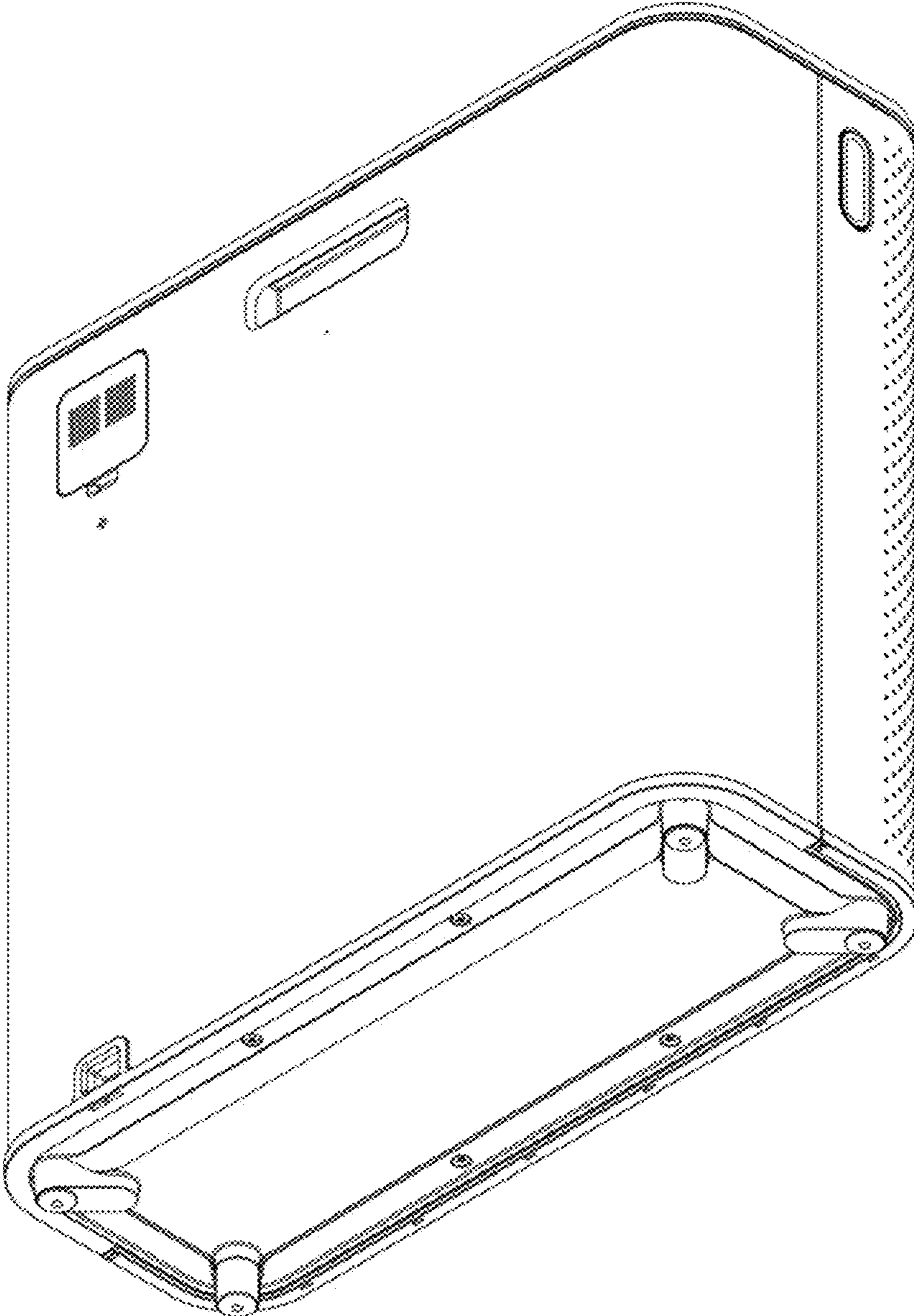


FIG.8

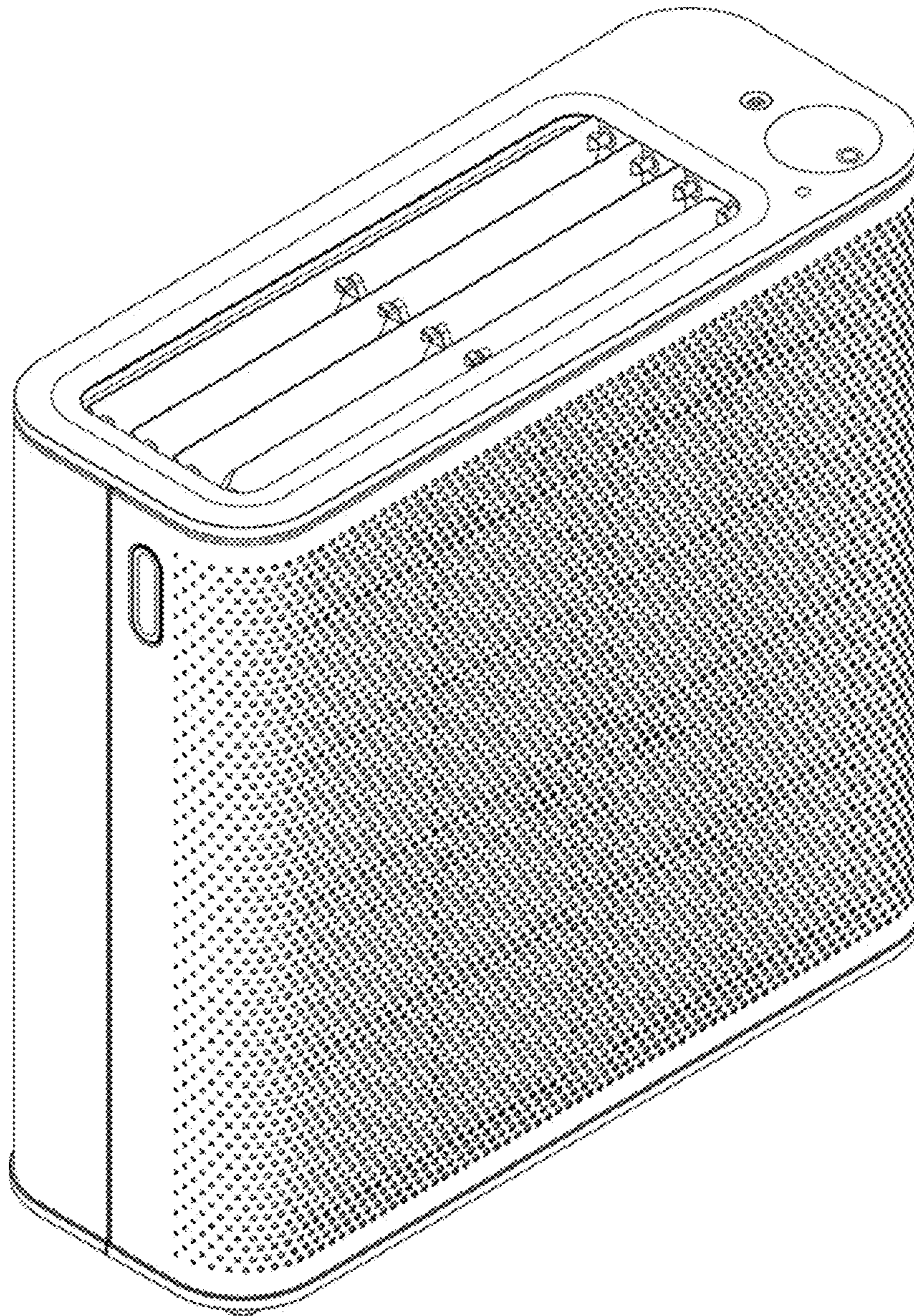


FIG.9