



US00D958313S

(12) **United States Design Patent** (10) **Patent No.:** **US D958,313 S**  
**Yoon** (45) **Date of Patent:** **\*\* Jul. 19, 2022**

(54) **DEHUMIDIFYING STERILIZING AND DEODORIZING MACHINE FOR GARMENTS FOR VEHICLES**

2400/0751; F25B 2400/22; F25B 2400/23; F25B 2500/12; F25B 2500/13; F25B

(Continued)

(71) Applicant: **LG ELECTRONICS INC.**, Seoul (KR)

(56) **References Cited**

(72) Inventor: **Hyunjin Yoon**, Seoul (KR)

U.S. PATENT DOCUMENTS

(73) Assignee: **LG ELECTRONICS INC.**, Seoul (KR)

D448,464 S \* 9/2001 Shin ..... B65D 81/266 D23/359

(\*\*) Term: **15 Years**

D671,282 S \* 11/2012 Jeon ..... D32/10 (Continued)

(21) Appl. No.: **35/510,947**

*Primary Examiner* — Khawaja Anwar

(22) Filed: **Jun. 5, 2020**

(74) *Attorney, Agent, or Firm* — Birch, Stewart, Kolasch & Birch, LLP

(80) **Hague Agreement Data**

(57) **CLAIM**

Int. Filing Date: **Jun. 5, 2020**

The ornamental design for a dehumidifying, sterilizing and deodorizing machine for garments for vehicles, as shown and described.

Int. Reg. No.: **DM/208949**

Int. Reg. Date: **Jun. 5, 2020**

Int. Reg. Pub. Date: **Dec. 11, 2020**

**DESCRIPTION**

(30) **Foreign Application Priority Data**

Dec. 18, 2019 (KR) ..... 30-2019-0061558

(51) **LOC (13) Cl.** ..... **23-04**

(52) **U.S. Cl.**  
USPC ..... **D23/359**

(58) **Field of Classification Search**

USPC ..... D32/5-10; D15/79-91; D23/359

CPC ..... F25B 49/02; F25B 49/022; F25B 13/00;

F25B 2600/0253; F25B 2700/1931; F25B

2400/0403; F25B 25/005; F25B

2700/171; F25B 2700/2104; F25B 6/04;

F25B 15/00; F25B 1/04; F25B 1/10;

F25B 21/02; F25B 21/04; F25B

2309/061; F25B 2313/0251; F25B

2339/044; F25B 2341/0662; F25B

2400/0401; F25B 2400/0409; F25B

2400/0411; F25B 2400/0417; F25B

1. Dehumidifying, sterilizing and deodorizing machine for garments for vehicles

1.1 : Perspective

1.2 : Front

1.3 : Back

1.4 : Left

1.5 : Right

1.6 : Top

1.7 : Bottom

1.8 : Perspective

1.9 : Front

1.10 : Back

1.11 : Left

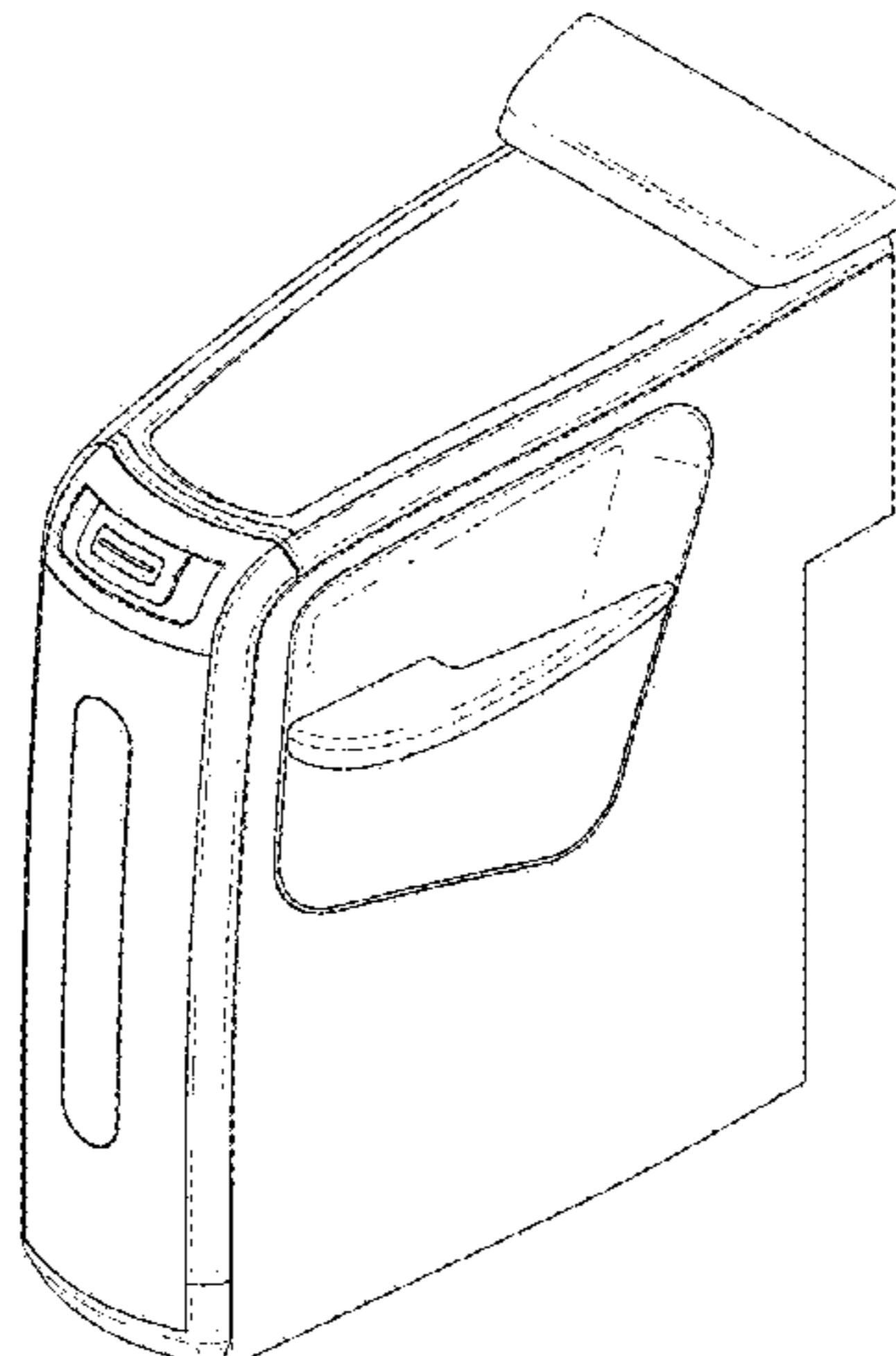
1.12 : Right

1.13 : Top

1.14 : Bottom

The subject design is installed and used in the vehicle; the reproductions 1.1 to 1.7 show the dehumidifying, sterilizing and deodorizing machine for garments for vehicles in the first position and the reproductions 1.8 to 1.14 show the

(Continued)



dehumidifying, sterilizing and deodorizing machine for garments for vehicles in the second position.

1 Claim, 14 Drawing Sheets

(58) Field of Classification Search

CPC ..... 2500/19; F25B 2500/222; F25B 2500/27; F25B 2500/29; F25B 2600/01; F25B 2600/021; F25B 2600/0271; F25B 2600/0272; F25B 2600/11; F25B 2600/15; F25B 2600/2501; F25B 2600/2509; F25B 2600/2513; F25B 2600/2519; F25B 2700/1332; F25B 2700/172; F25B 2700/173; F25B 2700/1933; F25B 2700/21; F25B 2700/2106; F25B 2700/21151; F25B 2700/21152; F25B 2700/21153; F25B 2700/21163; F25B 29/003; F25B 29/006; F25B 30/04; F25B 31/026; F25B 39/028; F25B 39/04; F25B 40/00; F25B 40/02; F25B 41/04; F25B 43/006; F25B 47/025; F25B 49/025; F25B 49/027; F25B 5/02; F25B 5/04; F25B 9/004; F25B 9/008; F26B 3/04; F26B 17/04; F26B 21/04;

F26B 21/06; F26B 23/002; F26B 23/02; F26B 21/001; F26B 25/14; F26B 15/16; F26B 17/12; F26B 21/006; F26B 21/08; F26B 21/10; F26B 21/12; F26B 2200/08; F26B 2200/12; F26B 2210/12; F26B 25/22; F26B 3/06; F26B 9/066

See application file for complete search history.

(56)

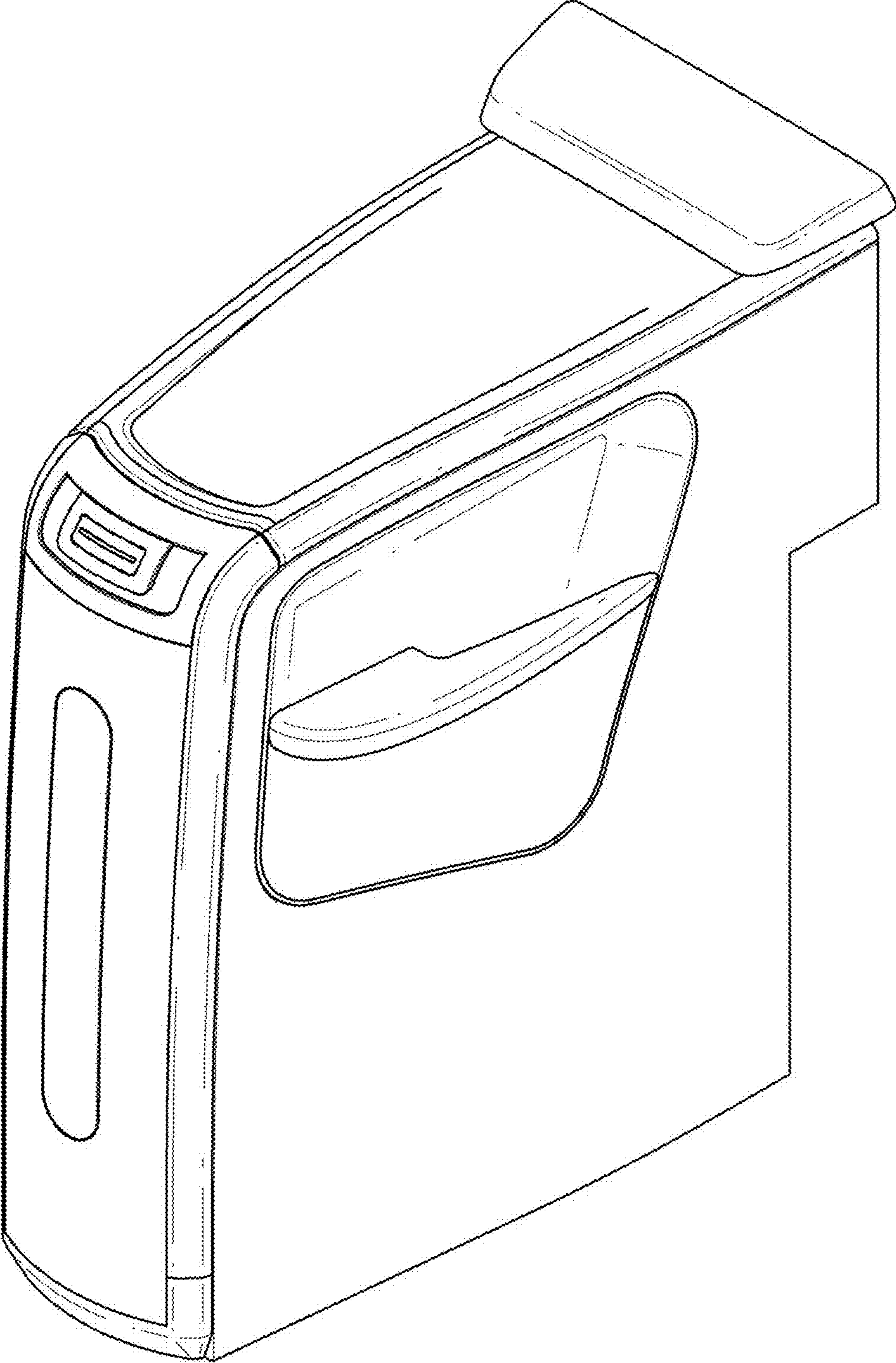
References Cited

U.S. PATENT DOCUMENTS

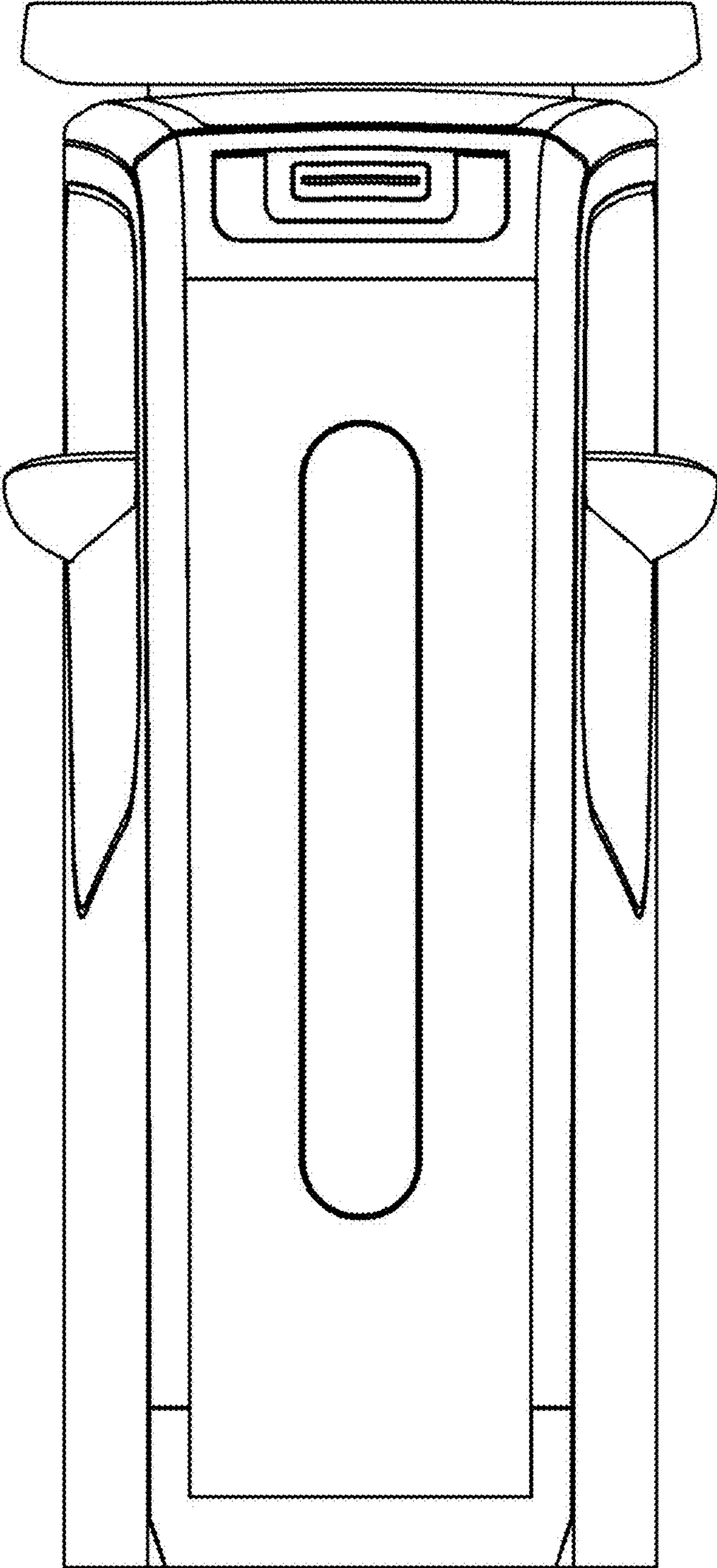
D801,604 S \* 10/2017 Lee ..... D06F 58/203 D32/9
D853,543 S \* 7/2019 Giallombardo ..... D23/359
D879,275 S \* 3/2020 Mano ..... D23/359
D884,861 S \* 5/2020 Seymour ..... D23/359
D895,911 S \* 9/2020 Kim ..... D32/10
D895,912 S \* 9/2020 Kim ..... D32/10
D897,058 S \* 9/2020 Kim ..... D32/6
D901,793 S \* 11/2020 Kim ..... D32/10
D908,988 S \* 1/2021 Kim ..... D32/10
D912,338 S \* 3/2021 Kim ..... D32/10
D913,613 S \* 3/2021 Kim ..... D32/10
D915,011 S \* 3/2021 Heo ..... D32/10
D918,364 S \* 5/2021 Shu ..... D23/359

\* cited by examiner

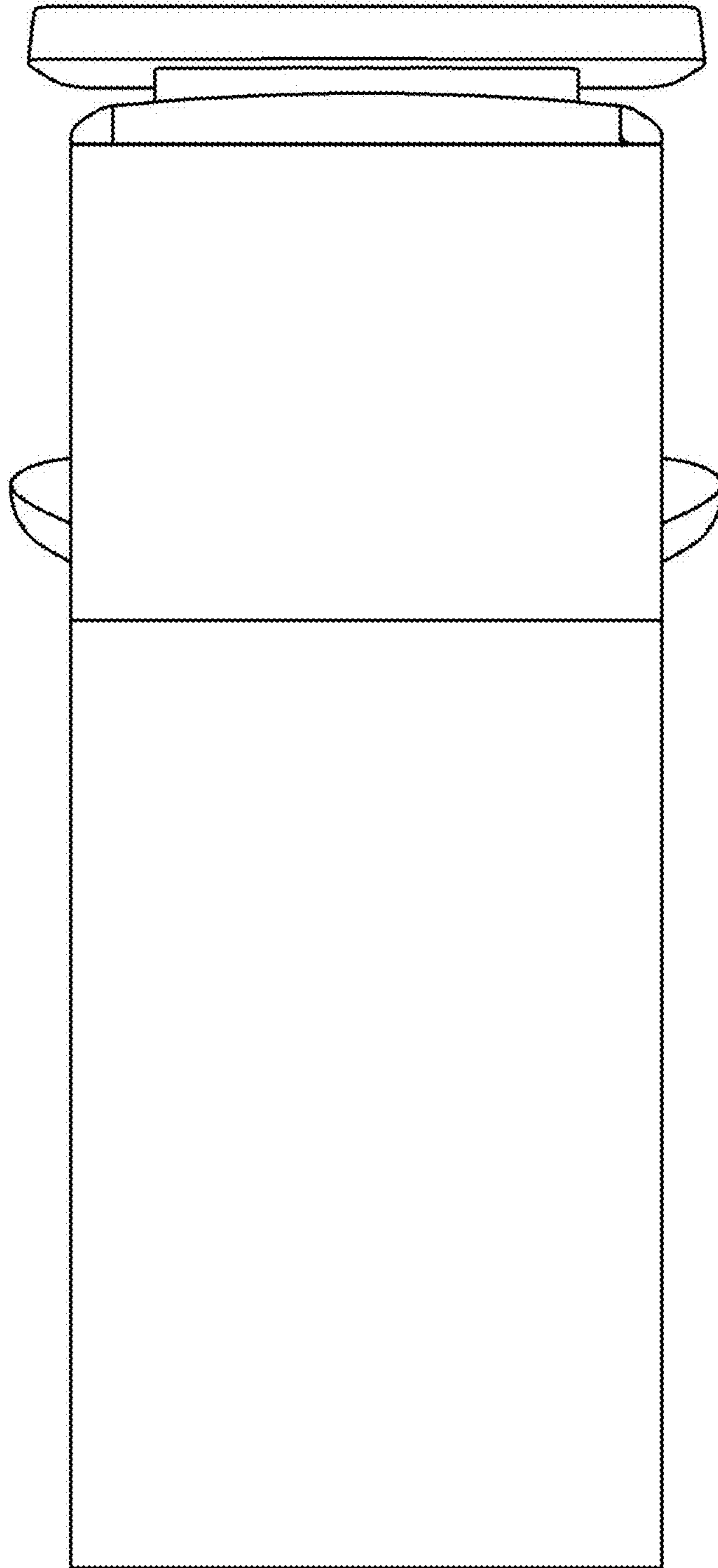
1.1



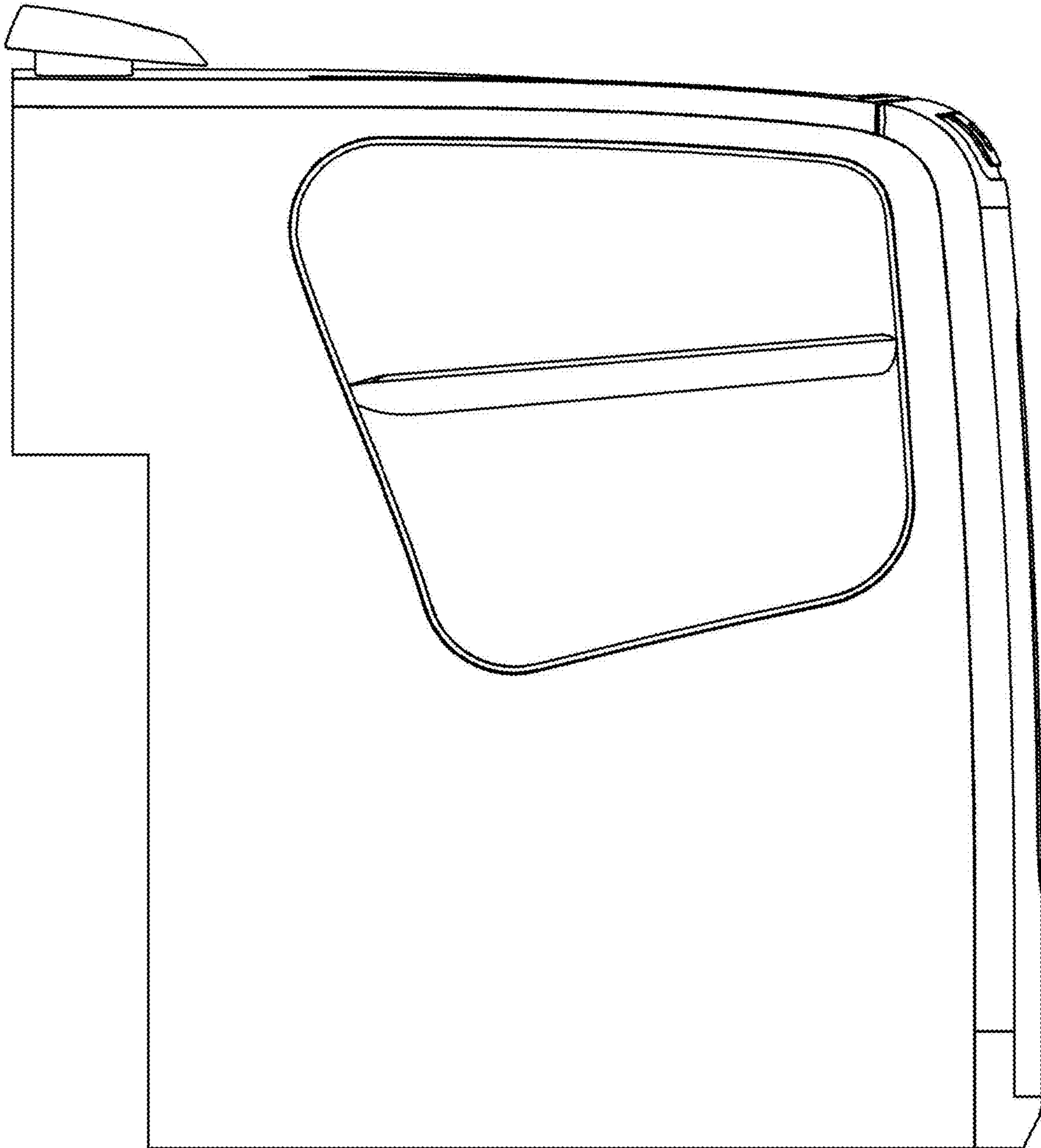
1.2



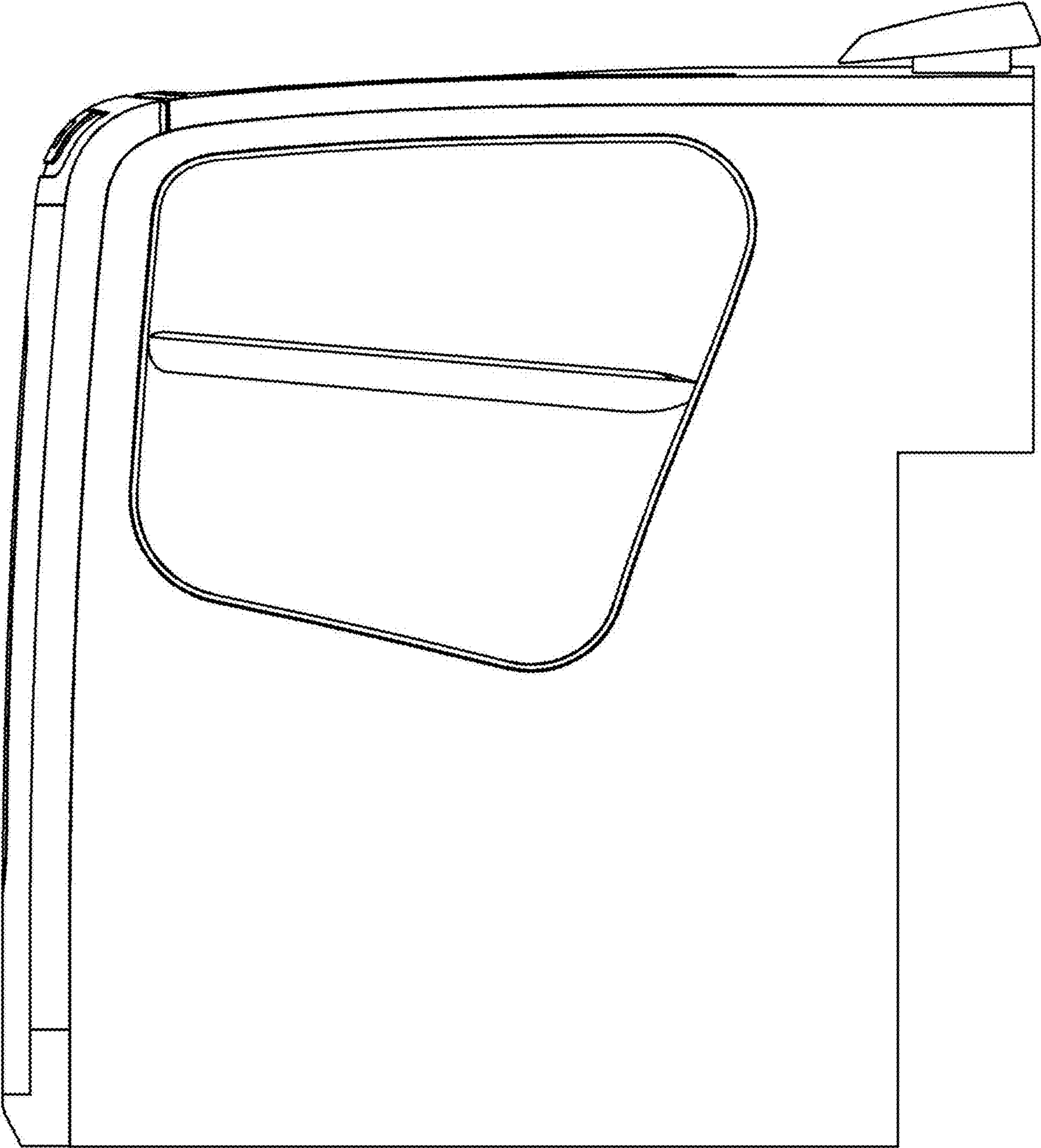
1.3



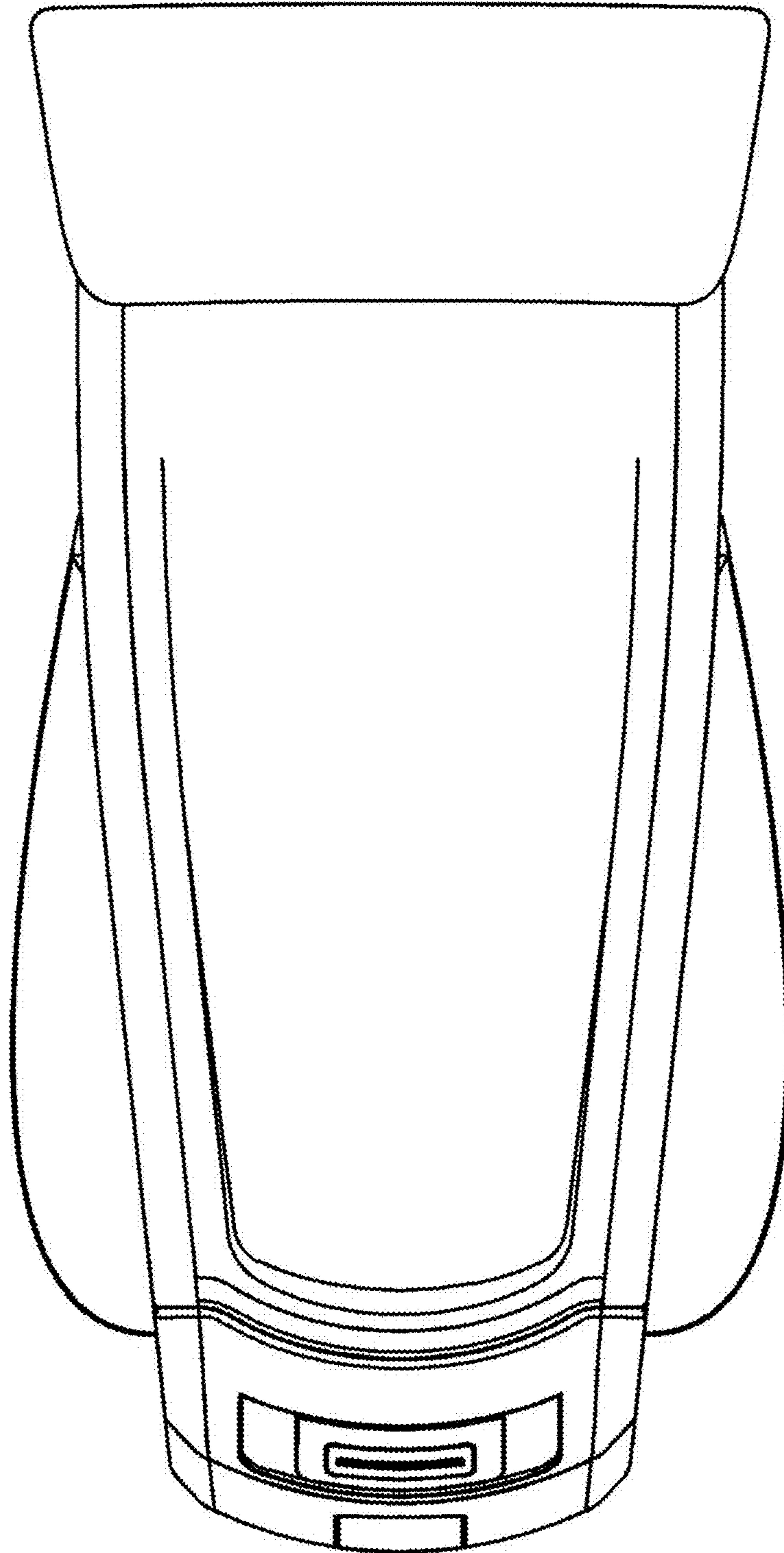
1.4



1.5

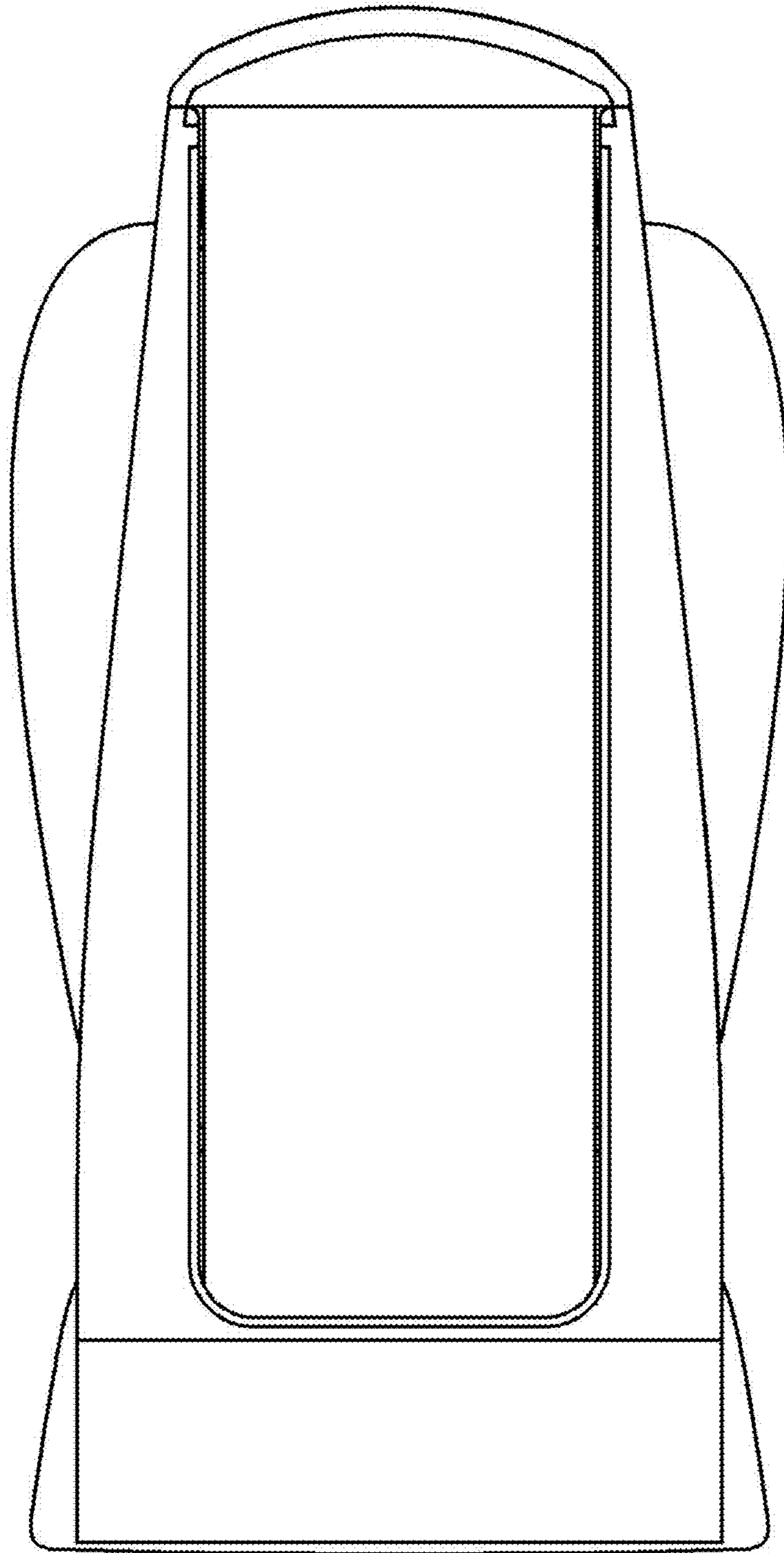


1.6

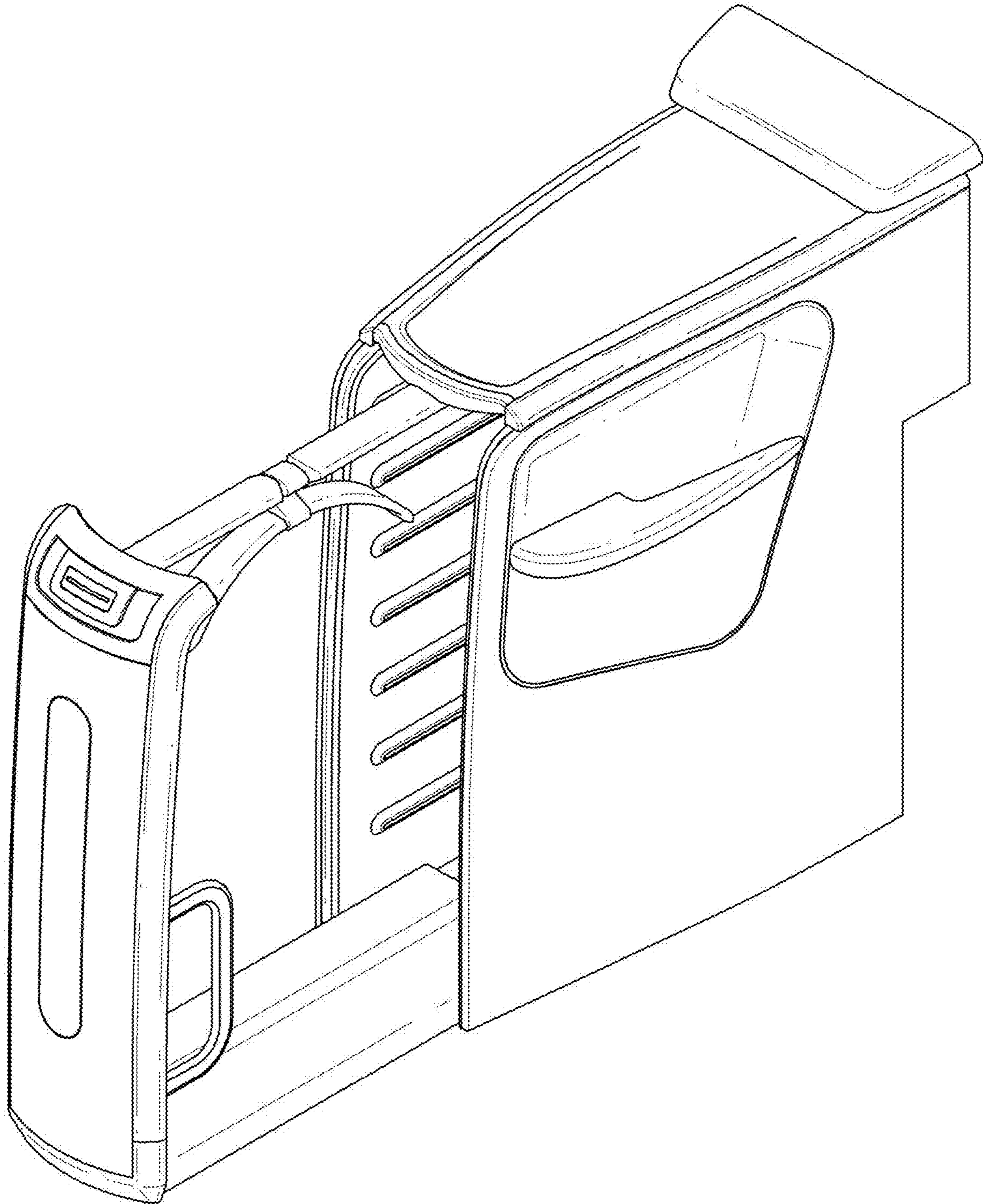




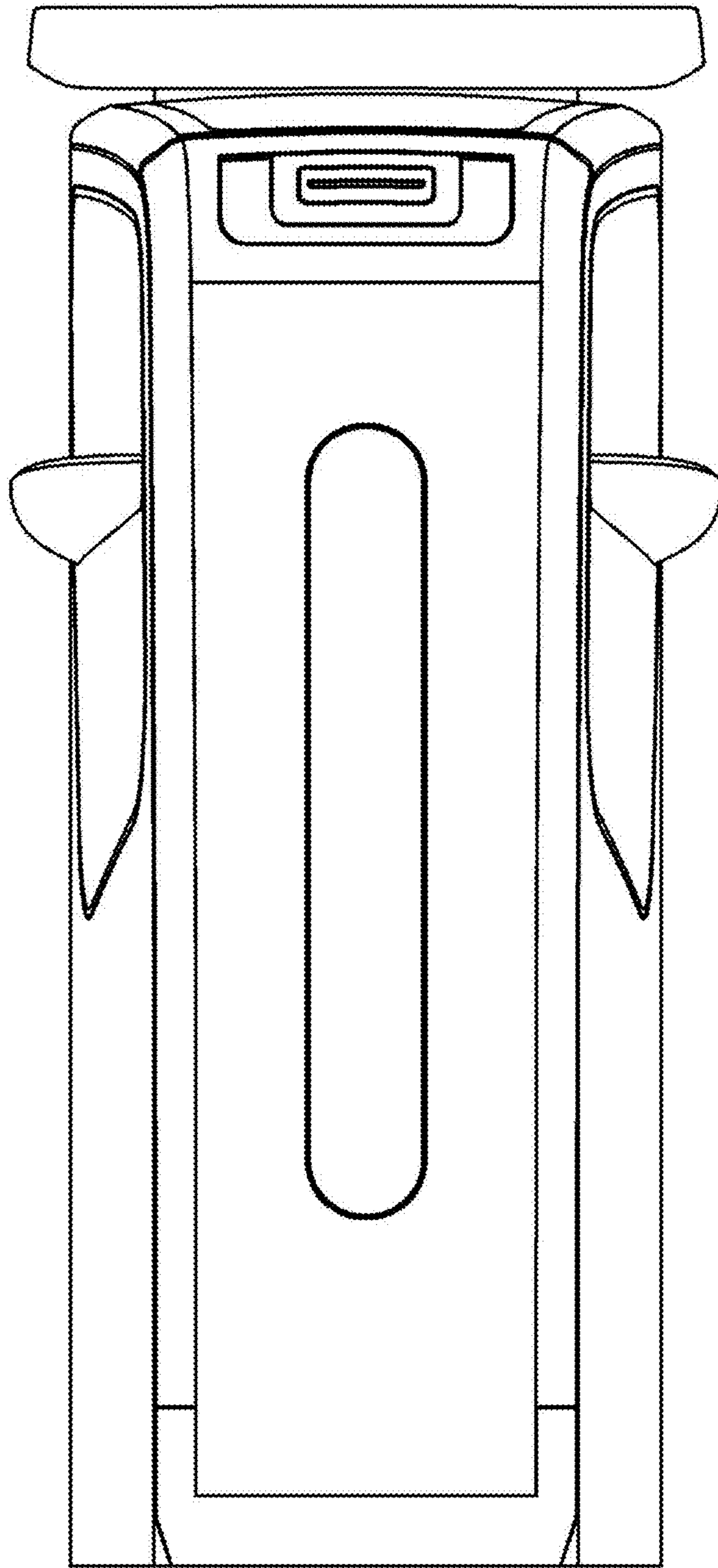
1.7



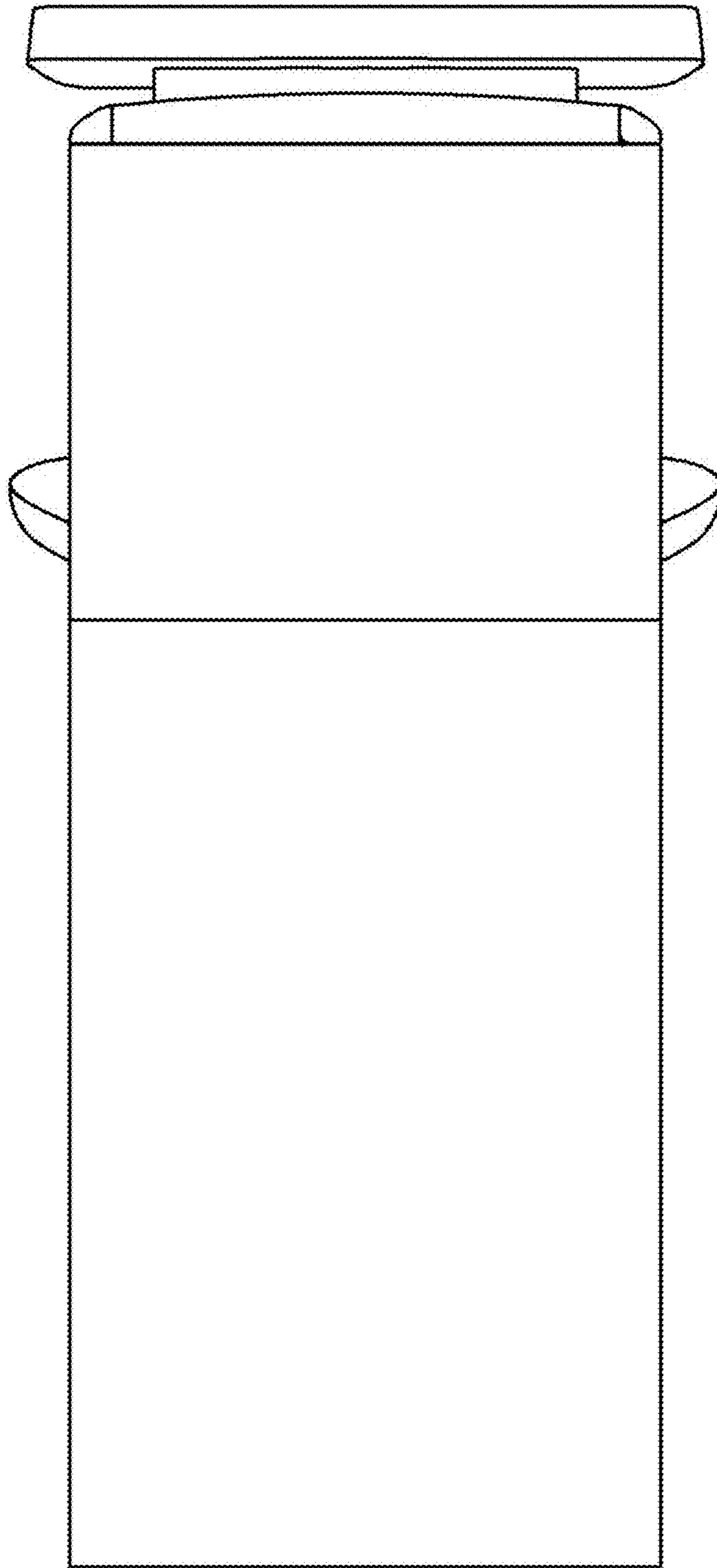
1.8



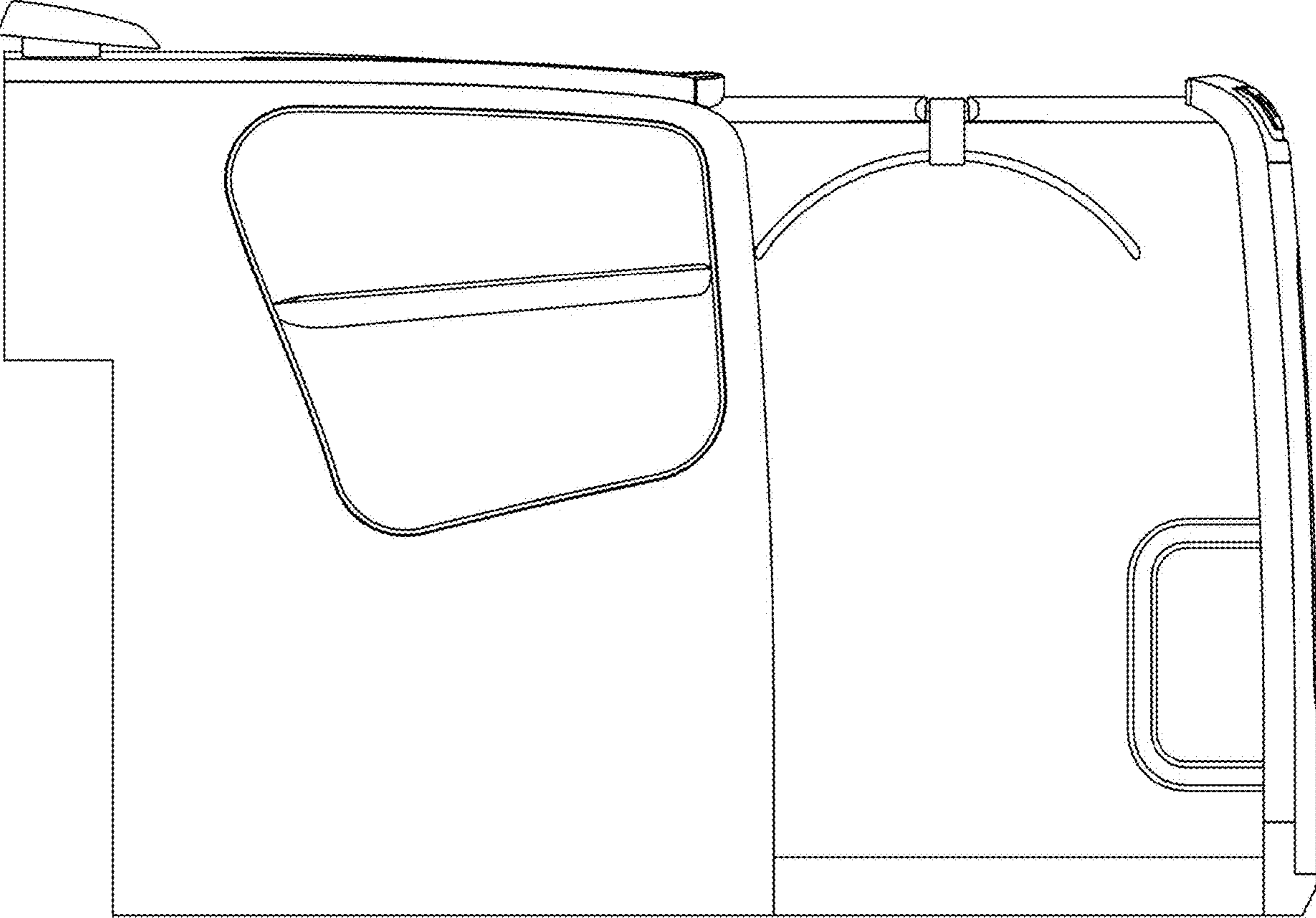
1.9



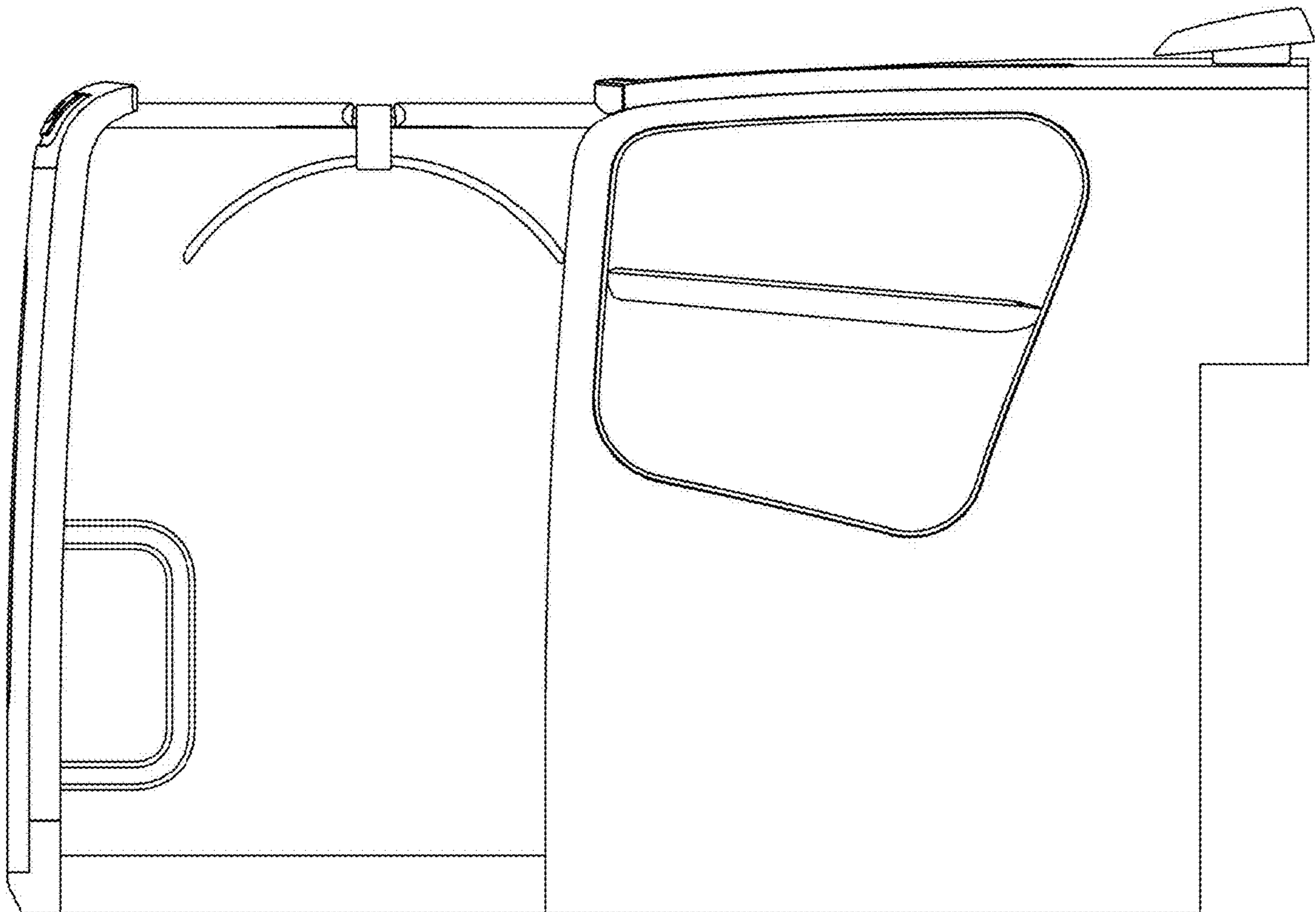
1.10



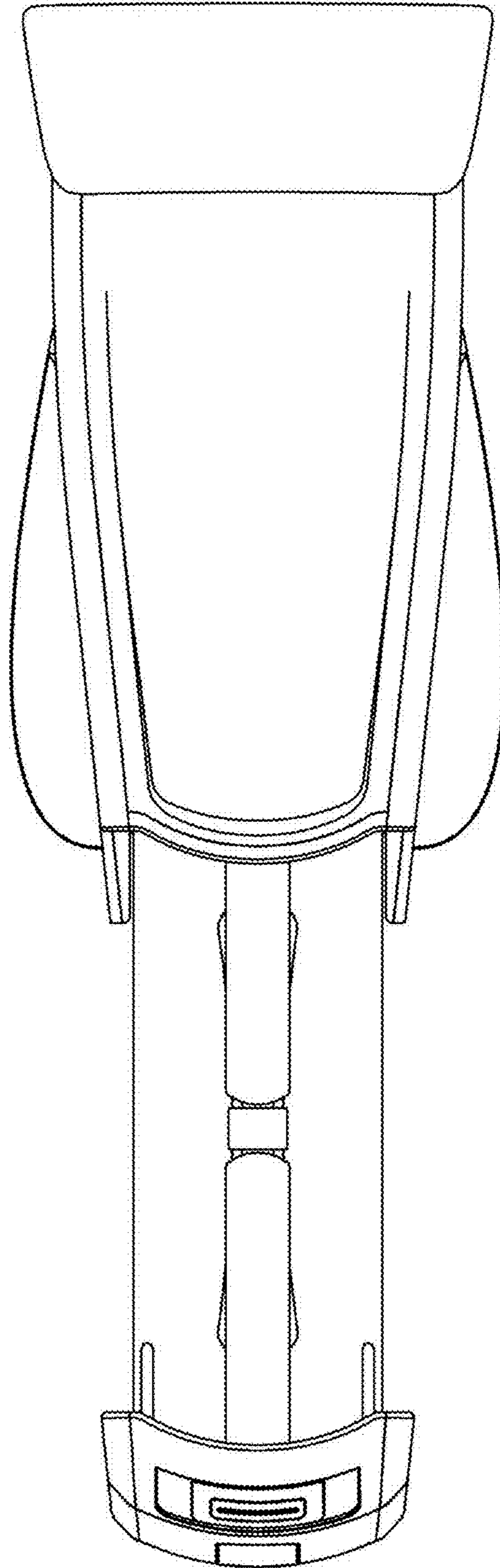
1.11



1.12



1.13



1.14

