



US00D958310S

(12) **United States Design Patent** (10) **Patent No.:** **US D958,310 S**  
**Wurm et al.** (45) **Date of Patent:** **\*\* Jul. 19, 2022**

(54) **HOT WATER TANK HOUSING**

OTHER PUBLICATIONS

(71) Applicant: **Emerson Electric Co.**, St. Louis, MO (US)  
(72) Inventors: **James Wurm**, Greenfield, WI (US); **Thomas Lefeber**, Mount Pleasant, WI (US); **Eric Wolf**, Racine, WI (US); **Paul Metaxatos**, Swampscott, MA (US); **Benjamin Hines**, Cranston, RI (US); **Steffen Koury**, Nahant, MA (US)

Emerson Electric Co., "Instant Hot Water Dispensers, The Next Necessity, Model SST-00" brochure (2012) InSinkErator, HWD433-12H-45-10, www.insinkerator.com (1 page).  
(Continued)

(73) Assignee: **Emerson Electric Co.**, St. Louis, MO (US)

*Primary Examiner* — Ania Aman  
(74) *Attorney, Agent, or Firm* — SmithAmundsen LLC

(\*\*) Term: **15 Years**

(57) **CLAIM**

An ornamental design for a hot water tank housing, as shown and described.

(21) Appl. No.: **29/762,636**

(22) Filed: **Dec. 17, 2020**

**DESCRIPTION**

(51) **LOC (13) Cl.** ..... **23-03**

(52) **U.S. Cl.**  
USPC ..... **D23/318**

(58) **Field of Classification Search**  
USPC ..... D23/314, 317, 318, 319, 320, 321, 329, D23/332, 342, 335  
CPC . F24H 1/10; F24H 9/2028; F24H 9/02; F24H 9/128; F24H 9/2021; F24H 9/2007; F24H 9/0005; F24H 4/00; F24H 2/142; F24H 9/2071; F24H 9/2064; F24H 1/06  
See application file for complete search history.

FIG. 1 is a front perspective view of a hot water tank housing according to our new design;  
FIG. 2 is a rear perspective view of the hot water tank housing of FIG. 1;  
FIG. 3 is a front elevation view of the hot water tank housing of FIG. 1;  
FIG. 4 is a rear elevation view of the hot water tank housing of FIG. 1;  
FIG. 5 is a right side elevation view of the hot water tank housing of FIG. 1;  
FIG. 6 is a left side elevation view of the hot water tank housing of FIG. 1;  
FIG. 7 is a top plan view of the hot water tank housing of FIG. 1; and,  
FIG. 8 is a bottom plan view of the hot water tank housing of FIG. 1.

In the drawings, the evenly spaced broken lines shown in the Figures depict portions of the hot water tank housing that form no part of the claimed design. The dash-dot-dash broken lines define the boundary of the claimed design and form no part of the claimed design.

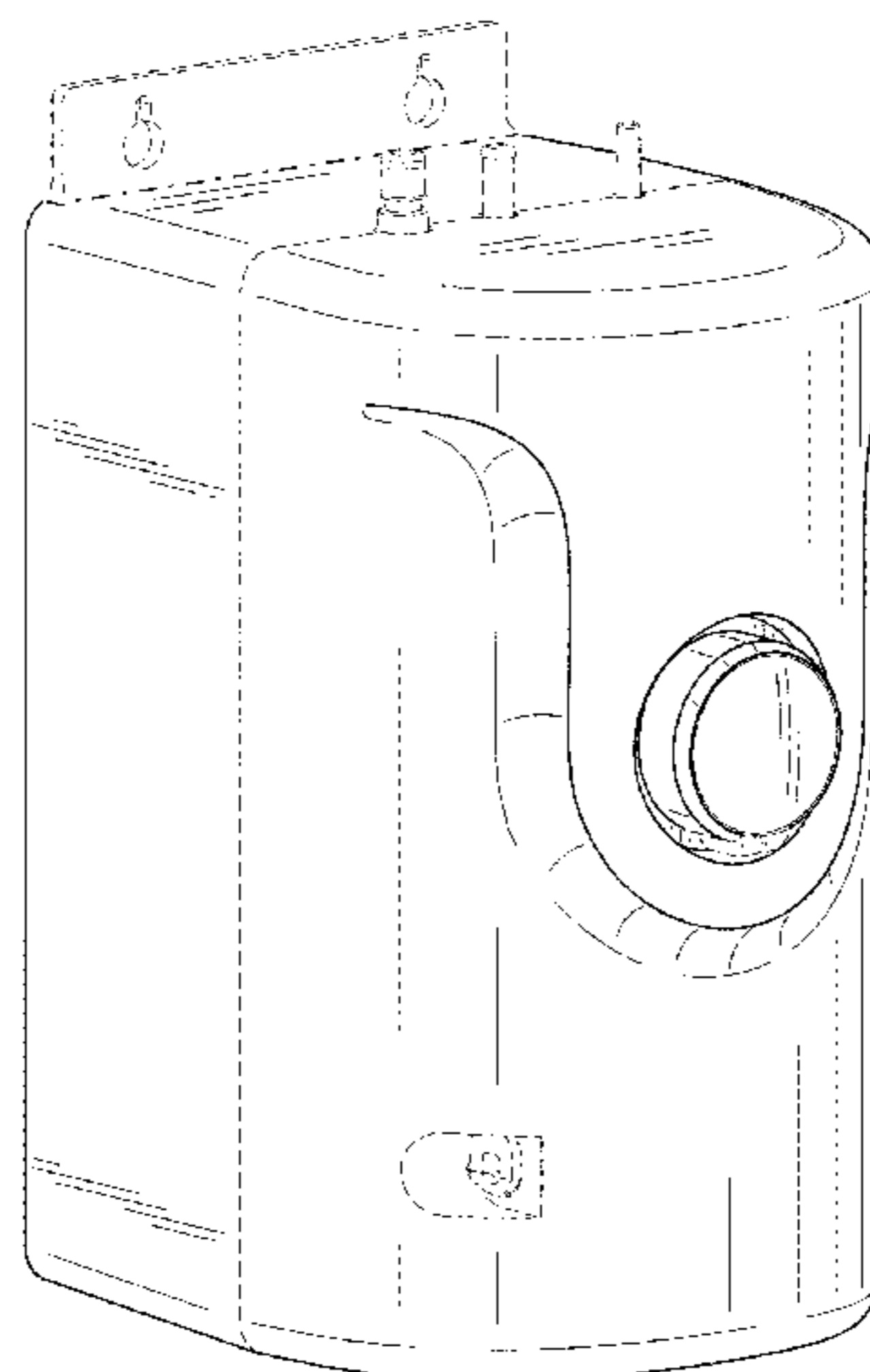
(56) **References Cited**

U.S. PATENT DOCUMENTS

D532,497 S *	11/2006	Engel	.....	D23/318
D694,381 S *	11/2013	Kitzke	.....	D23/320
D844,123 S *	3/2019	Schumann	.....	D23/318
D863,519 S *	10/2019	Hayden	.....	D23/322
D865,925 S *	11/2019	Jurczyszak	.....	D23/318
D866,734 S *	11/2019	Bryant	.....	D23/318
D870,868 S *	12/2019	Hayden	.....	D23/322
2007/0205292 A1 *	9/2007	Kwak	.....	F23N 1/082 236/21 B

(Continued)

**1 Claim, 7 Drawing Sheets**



(56)

**References Cited**

U.S. PATENT DOCUMENTS

2014/0014312 A1\* 1/2014 Chu ..... F24H 9/2007  
165/267  
2016/0178234 A1\* 6/2016 Hayden ..... F24H 1/103  
392/486  
2017/0248343 A1\* 8/2017 Hou ..... F24H 1/202  
2019/0162443 A1\* 5/2019 Stegemeyer ..... F41H 13/0087  
2021/0318031 A1\* 10/2021 Bolognue ..... F24D 19/1063

OTHER PUBLICATIONS

Emerson Electric Co., "Precision Temperature Control. Now Available at your Fingertips" brochure (2019) InSinkErator, WDT542-19B-95-10, [www.insinkerator.com](http://www.insinkerator.com) (2 pages).  
Design U.S. Appl. No. 29/762,637, filed Dec. 17, 2020 (25 pages).

\* cited by examiner

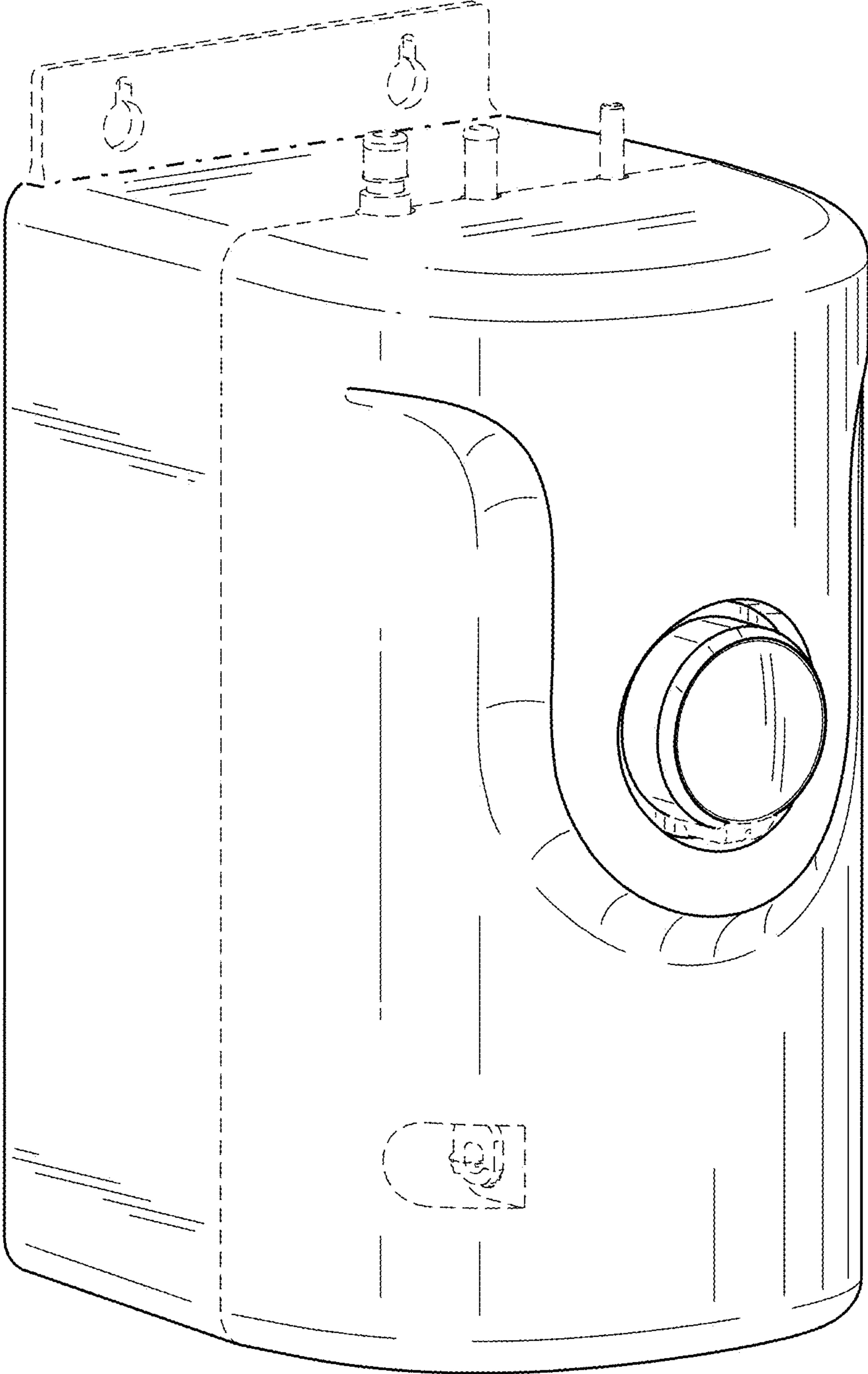


FIG. 1

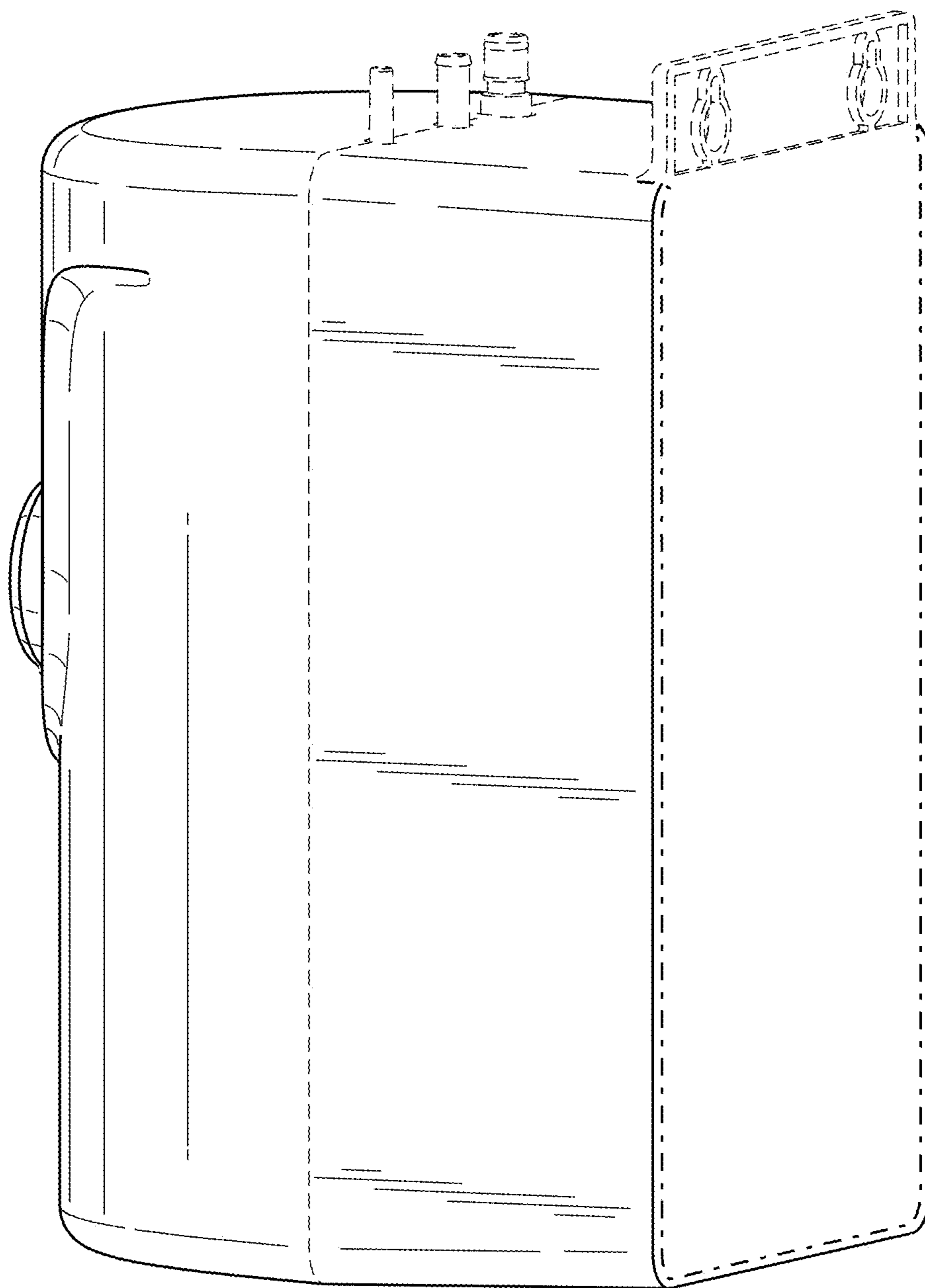


FIG. 2

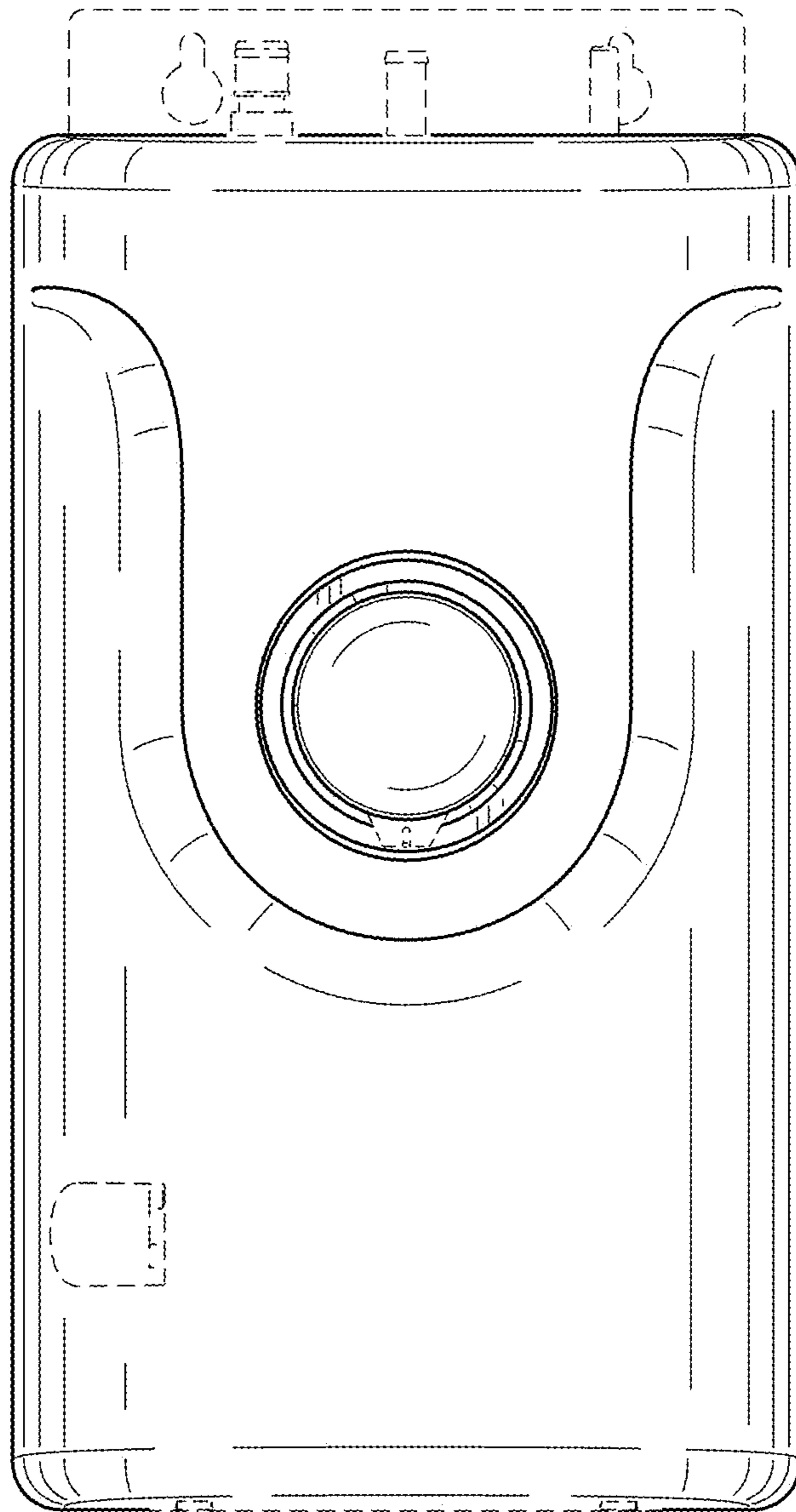


FIG. 3

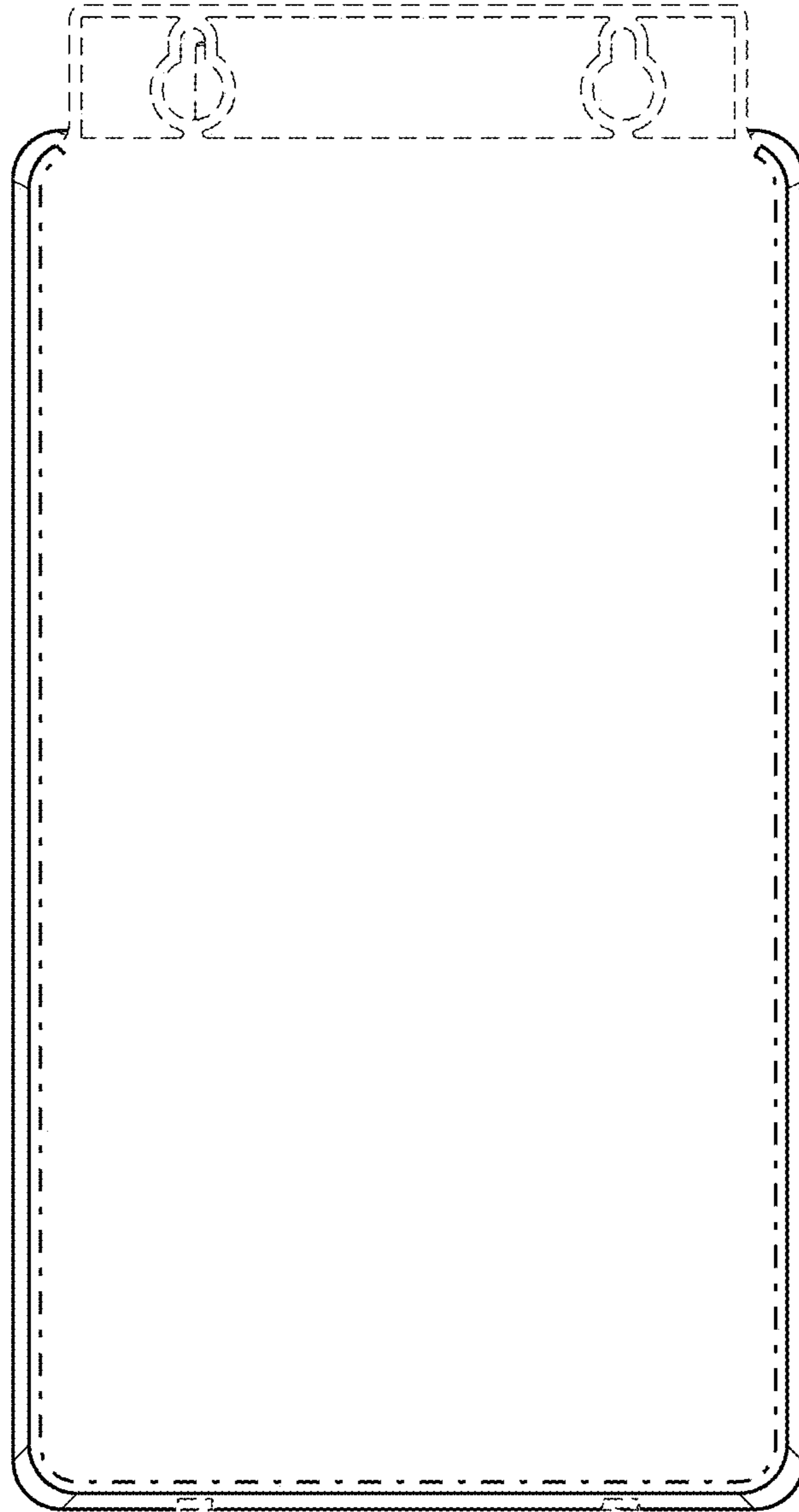


FIG. 4

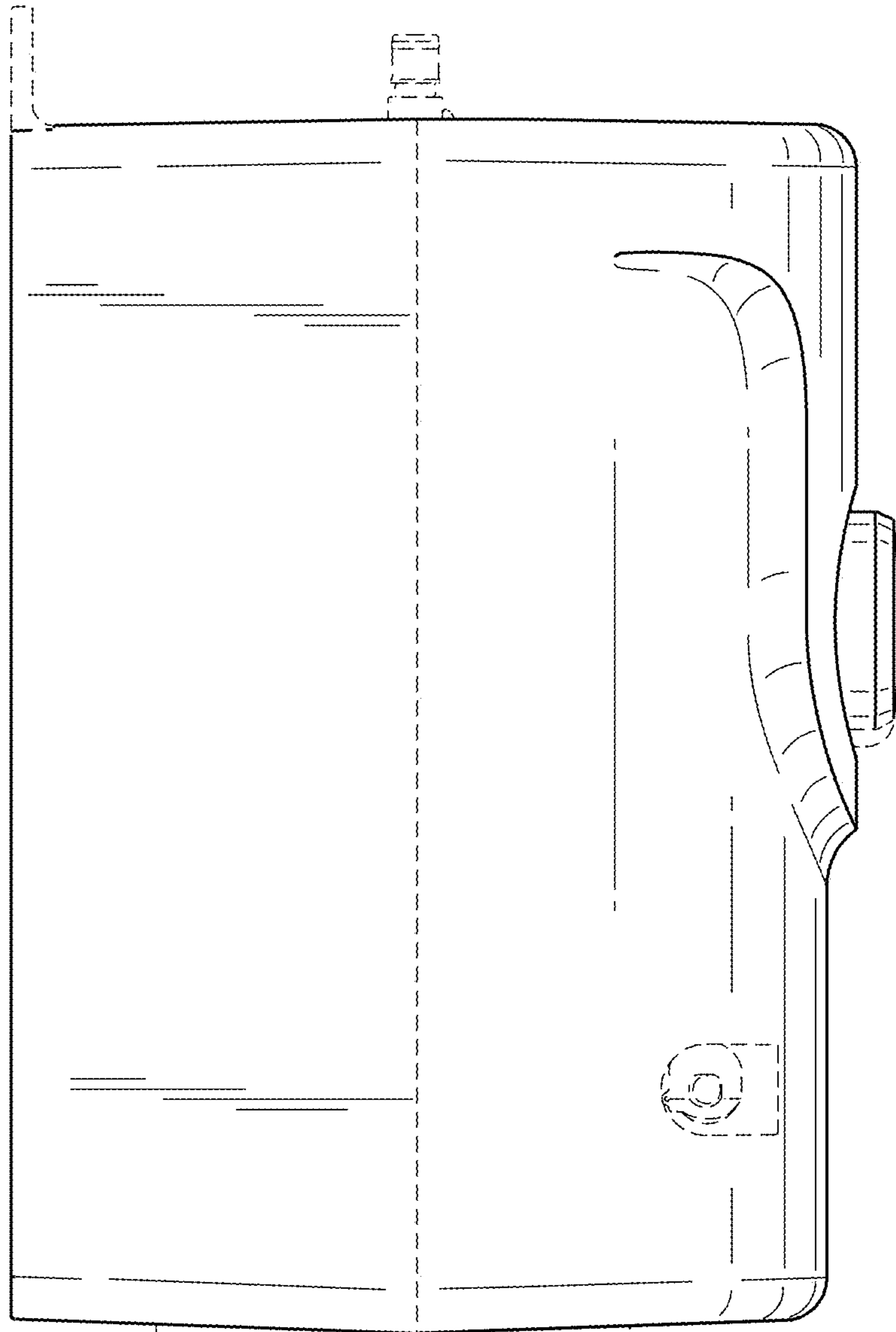


FIG. 5



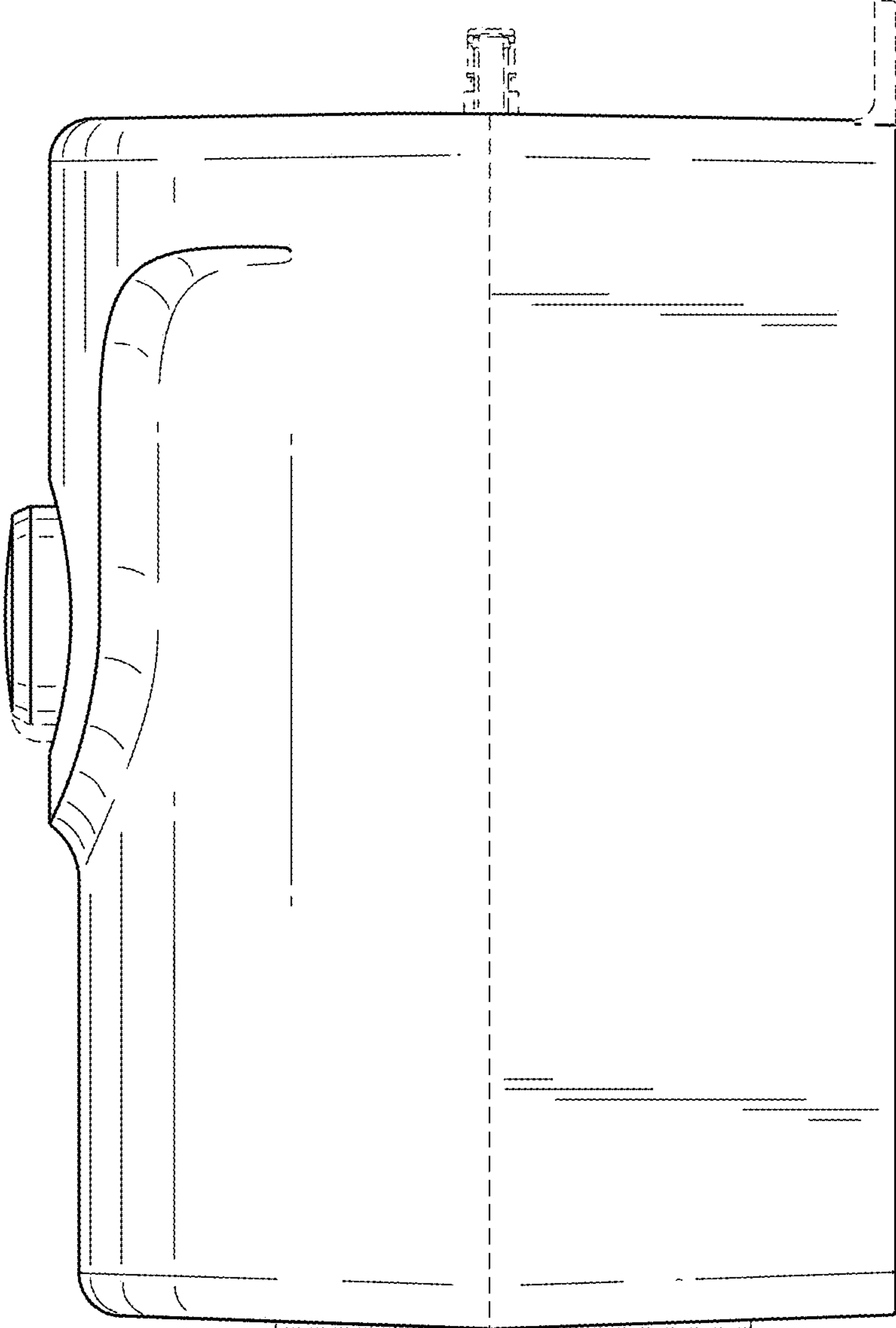


FIG. 6



FIG. 7

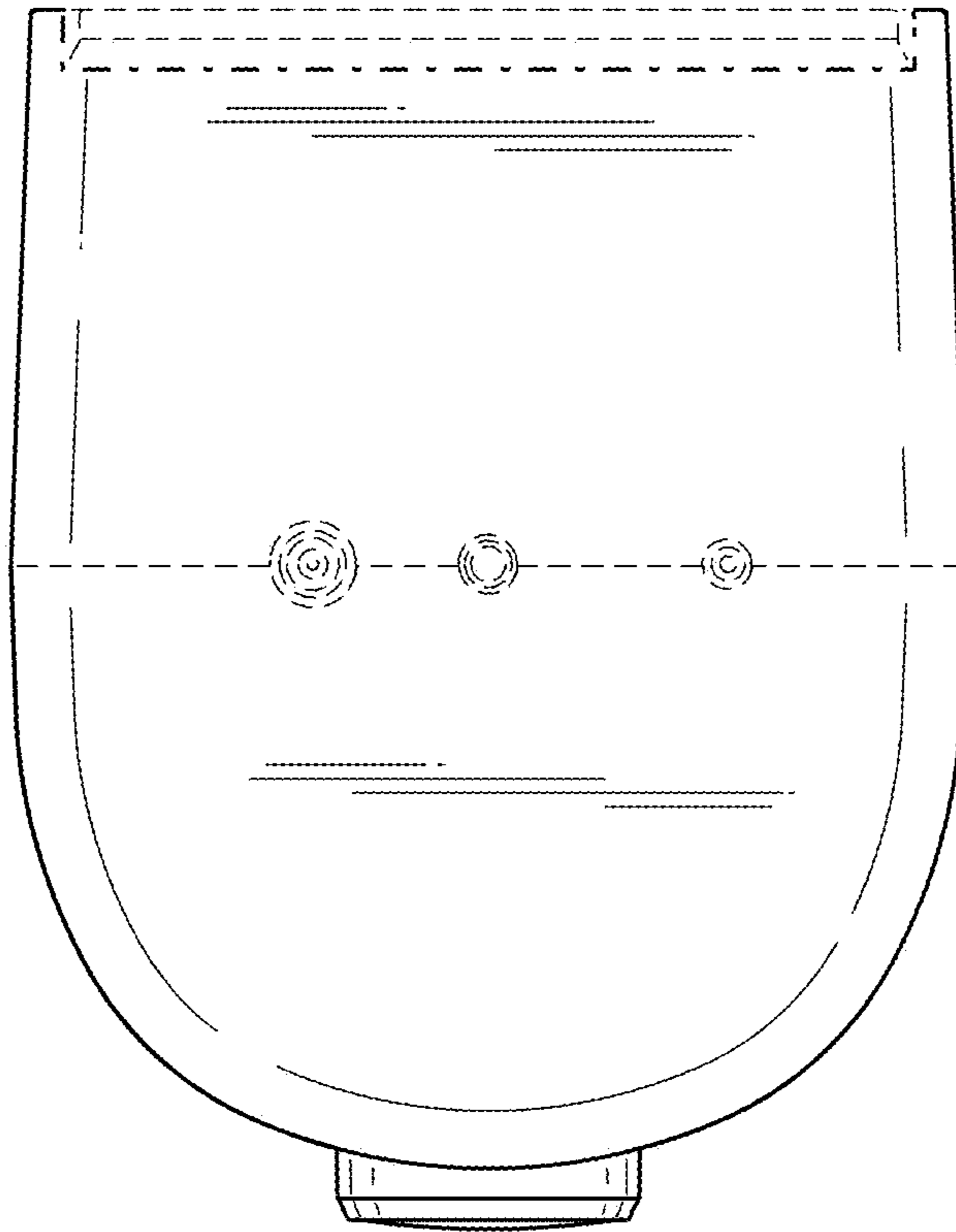


FIG. 8

