



US00D958309S

(12) **United States Design Patent** (10) **Patent No.:** **US D958,309 S**  
**Terrill et al.** (45) **Date of Patent:** **\*\* \*Jul. 19, 2022**

(54) **COUNTERTOP**

(71) Applicant: **DENTAL COMPONENTS LLC**,  
Newberg, OR (US)  
(72) Inventors: **David A. Terrill**, Newberg, OR (US);  
**Austin E. Unsworth**, Fort Mill, SC  
(US)

(73) Assignee: **DENTAL COMPONENTS LLC**,  
Newberg, OR (US)

(\*) Notice: This patent is subject to a terminal disclaimer.

(\*\*) Term: **15 Years**

(21) Appl. No.: **29/726,905**

(22) Filed: **Mar. 6, 2020**

**Related U.S. Application Data**

(62) Division of application No. 29/636,653, filed on Feb. 9, 2018, now Pat. No. Des. 879,267.

(51) **LOC (13) Cl.** ..... **23-02**

(52) **U.S. Cl.**  
USPC ..... **D23/308**

(58) **Field of Classification Search**  
USPC ..... D23/308, 303, 270, 284, 285, 286;  
D24/232, 234; D6/702, 707, 707.16,  
D6/707.19, 707.22, 707.23, 707.24, 691,  
D6/691.3  
CPC .. A47B 5/00; A47B 5/02; A47B 13/00; A47B  
13/08; A47B 13/086; A47B 13/10; A47B  
21/00; A47B 21/03; A47B 21/0371; A47B  
21/0307; A47B 21/0335; A47B 21/0357;  
A47B 37/00; A47B 47/00; A47B  
47/0008; A47B 47/0025; A47B 2200/00;  
A47B 2200/0001; A47B 2200/0003  
See application file for complete search history.

(56) **References Cited**

U.S. PATENT DOCUMENTS

D106,299 S 10/1937 Krick  
D163,242 S \* 5/1951 Bargaen ..... D6/696  
D223,920 S \* 6/1972 Valeska ..... D24/177  
D241,395 S 9/1976 Perl  
(Continued)

FOREIGN PATENT DOCUMENTS

EP 3485765 A1 \* 5/2019 ..... A47B 13/088  
WO WO-D080497-004 \* 9/2012  
WO WO-2018188061 A1 \* 10/2018 ..... A63B 23/04

OTHER PUBLICATIONS

Youtube, A-dec Inspire Dental Furniture Collection, posted May 1, 2016, [online], [visited Nov. 30, 2021]. Internet, <URL: https://www.youtube.com/watch?v=3444m3IMcnA> (Year: 2016).\*

(Continued)

*Primary Examiner* — Samantha Wood

(74) *Attorney, Agent, or Firm* — Alston & Bird LLP

(57) **CLAIM**

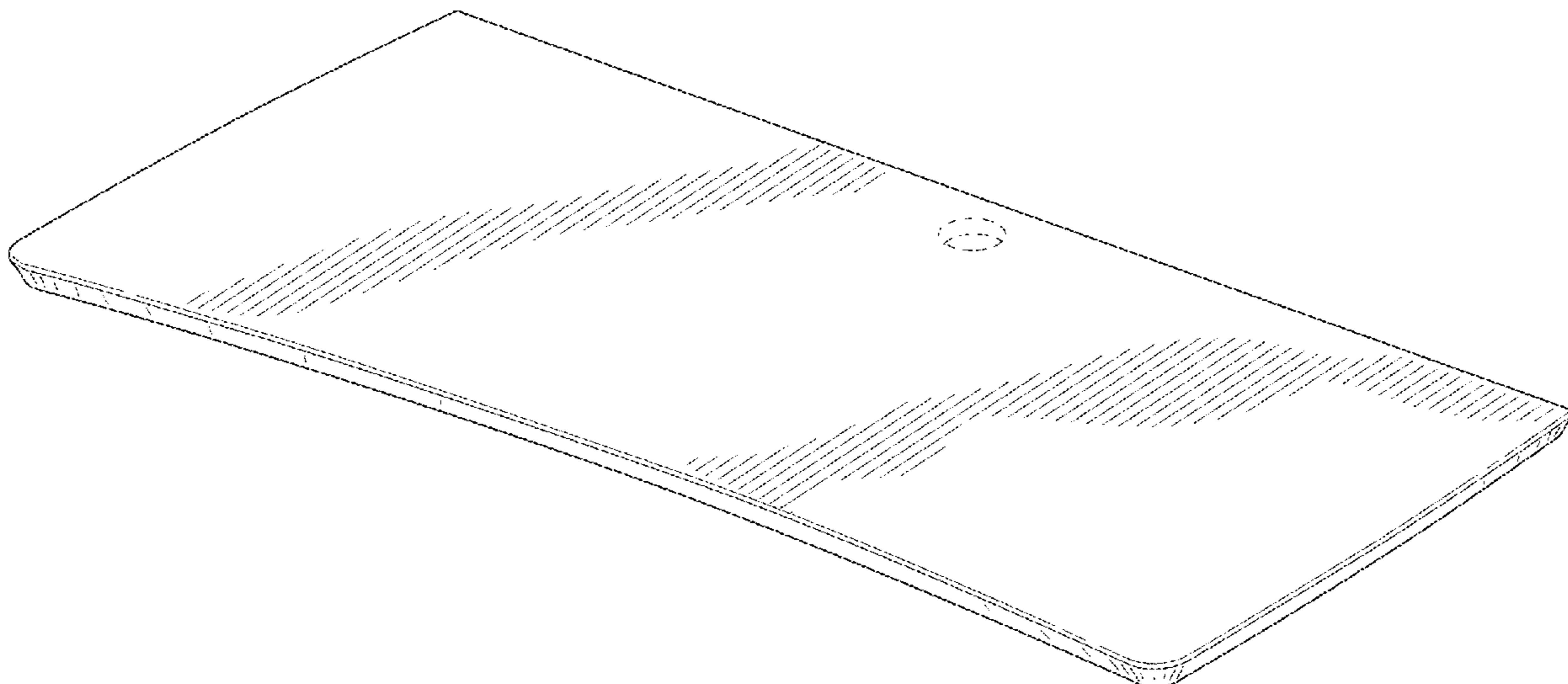
We claim the ornamental design for a countertop, as shown and described.

**DESCRIPTION**

FIG. 1 is a perspective view of a countertop showing our new design;  
FIG. 2 is a top plan view thereof;  
FIG. 3 is a bottom plan view thereof;  
FIG. 4 is a front elevation thereof;  
FIG. 5 is a rear elevation view thereof;  
FIG. 6 is a right side elevation view thereof;  
FIG. 7 is a left side elevation view thereof; and,  
FIG. 8 is another perspective view thereof shown in an exemplary environment.

The broken lines illustrate portions of the article and environmental structure and form no part of the claimed design.

**1 Claim, 5 Drawing Sheets**



(56)

References Cited

U.S. PATENT DOCUMENTS

D289,488 S \* 4/1987 Gyebnar ..... D7/391  
 D328,680 S \* 8/1992 Zapf ..... D6/707.19  
 D333,228 S 2/1993 Hosoe  
 D352,851 S \* 11/1994 Hosoe ..... D6/696.3  
 D383,924 S \* 9/1997 Dormon ..... D6/656.13  
 D388,639 S \* 1/1998 Dormon ..... D6/650  
 D396,576 S \* 8/1998 Moore ..... D6/650  
 D432,824 S \* 10/2000 Scheffer ..... D6/707.15  
 D435,988 S \* 1/2001 Draheim ..... D6/657  
 D444,973 S \* 7/2001 Draheim ..... D6/657  
 D452,626 S 1/2002 Petri  
 D468,142 S 1/2003 Plavsic  
 D499,469 S 12/2004 Trepanier  
 D531,438 S \* 11/2006 Barlow-Lawson ..... D6/707.22  
 D571,586 S \* 6/2008 Burak ..... D6/707.22  
 D591,839 S \* 5/2009 Loberger ..... D23/308  
 D644,863 S \* 9/2011 James ..... D6/707.22  
 D650,612 S 12/2011 Frinier  
 D665,199 S \* 8/2012 Plitt ..... D6/702  
 D672,163 S \* 12/2012 Wells ..... D6/406.3  
 D681,982 S 5/2013 Clegg  
 D722,369 S \* 2/2015 LeTourneau ..... D23/308  
 D749,347 S \* 2/2016 Stubbs ..... D6/707.22  
 D759,795 S \* 6/2016 LeTourneau ..... D23/308  
 D783,317 S \* 4/2017 Labrosse ..... D6/656.17  
 D835,428 S \* 12/2018 Askew-Harris ..... D6/406.3  
 D879,267 S \* 3/2020 Terrill ..... D23/308  
 D879,268 S \* 3/2020 Terrill ..... D23/308  
 2004/0194670 A1 \* 10/2004 Lai ..... A47B 21/00  
 108/50.02

OTHER PUBLICATIONS

U.S. Appl. No. 29/636,653, filed Feb. 9, 2019, D879,267, Issued.

\* cited by examiner

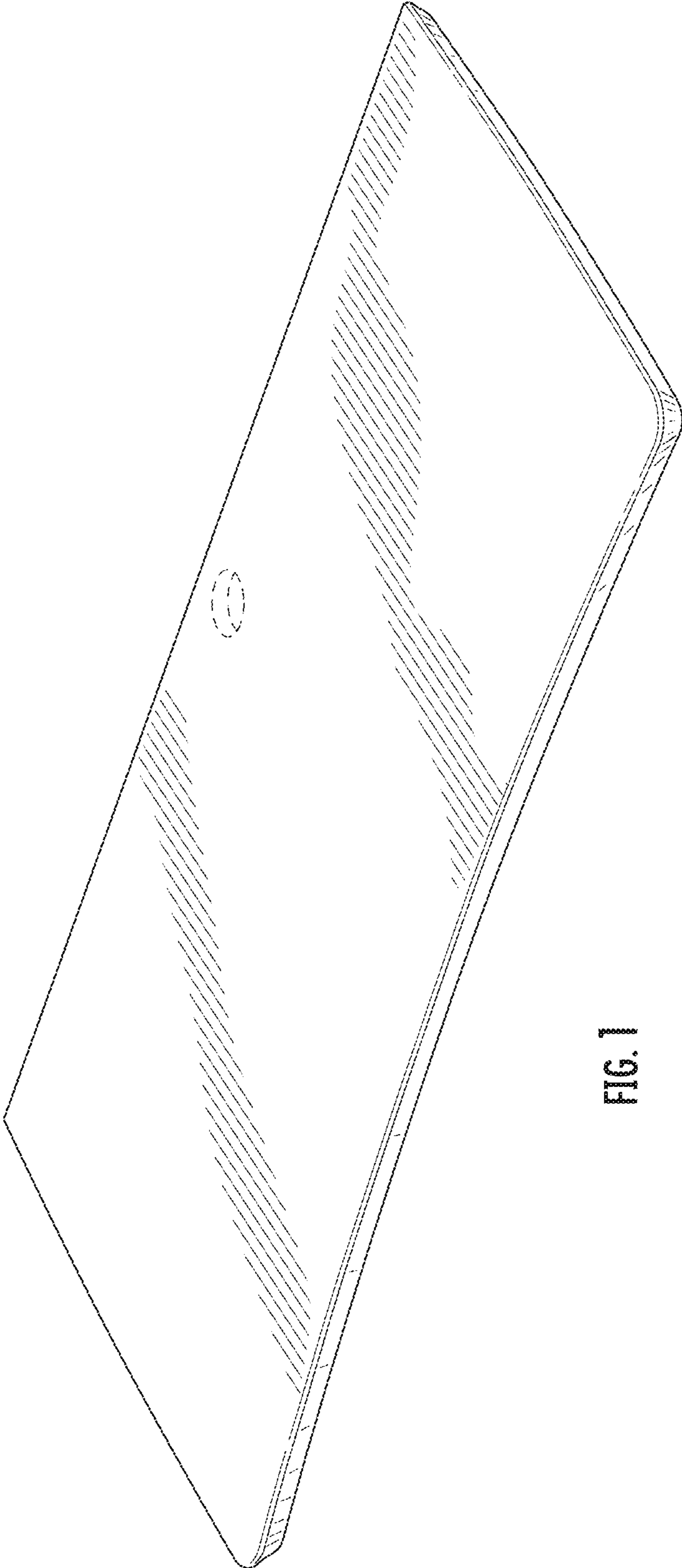


FIG. 1

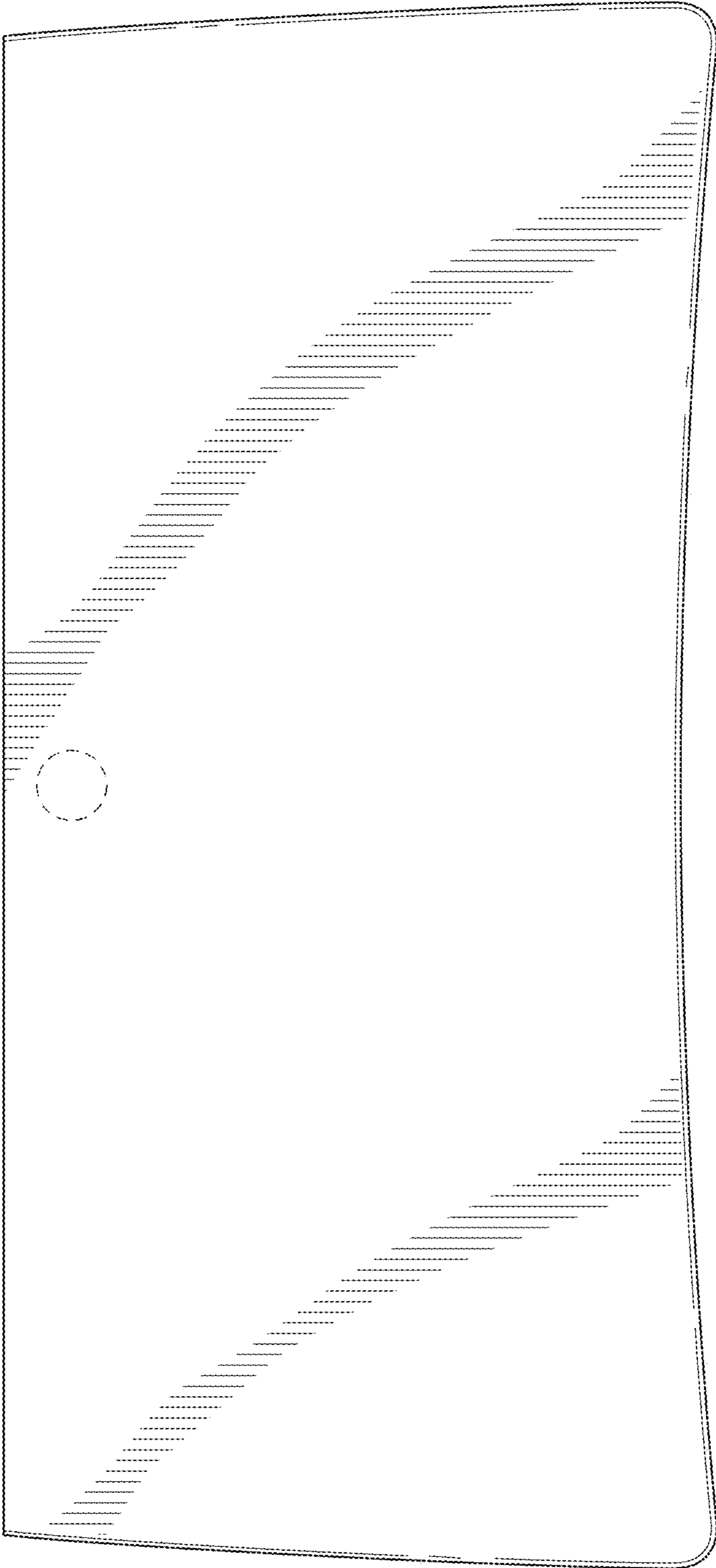


FIG. 2

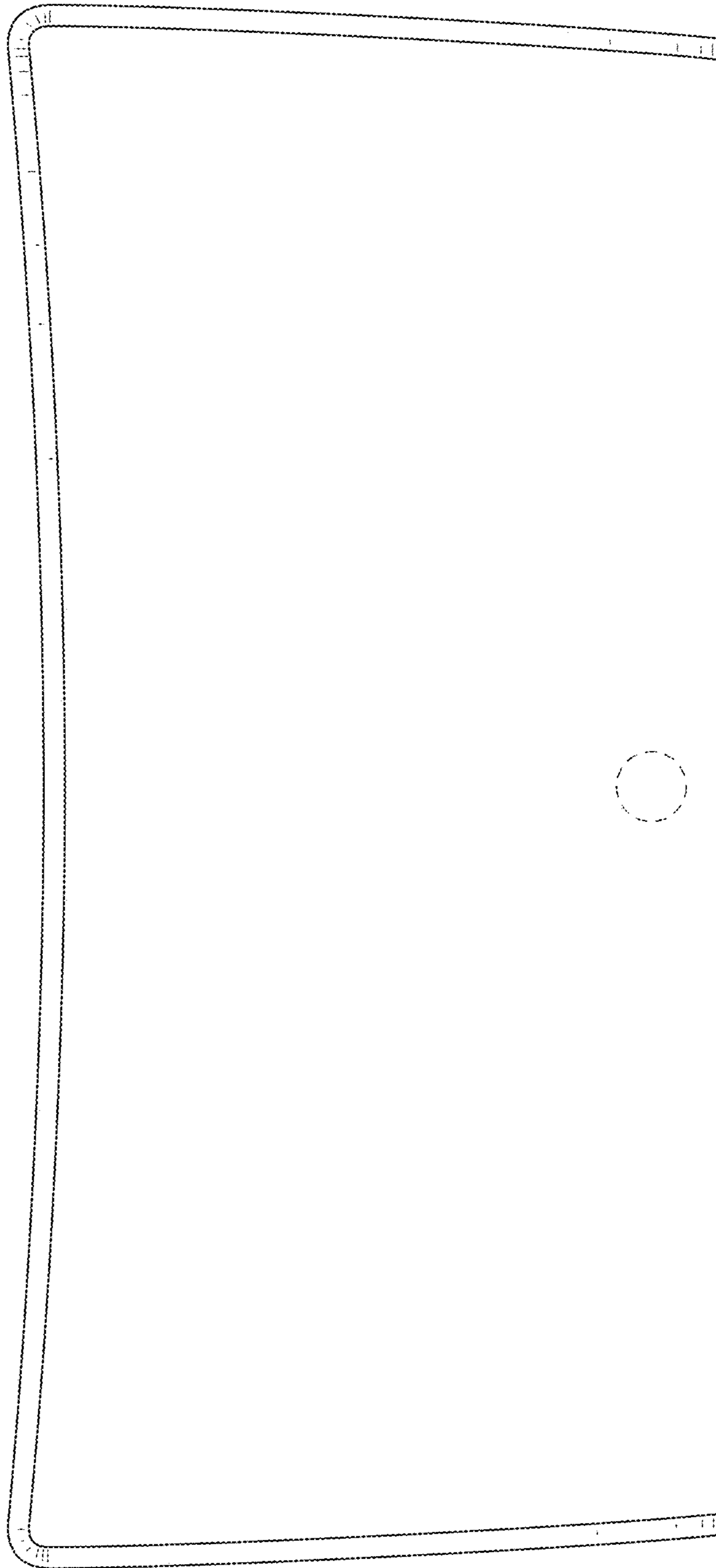


FIG. 3

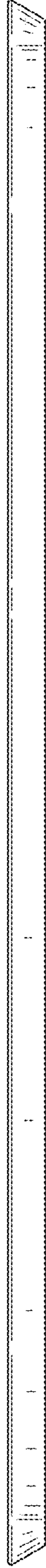


FIG. 4

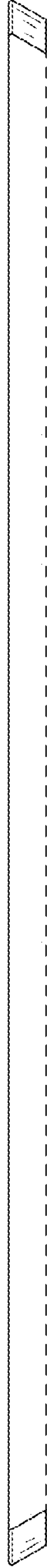


FIG. 5



FIG. 6

FIG. 7

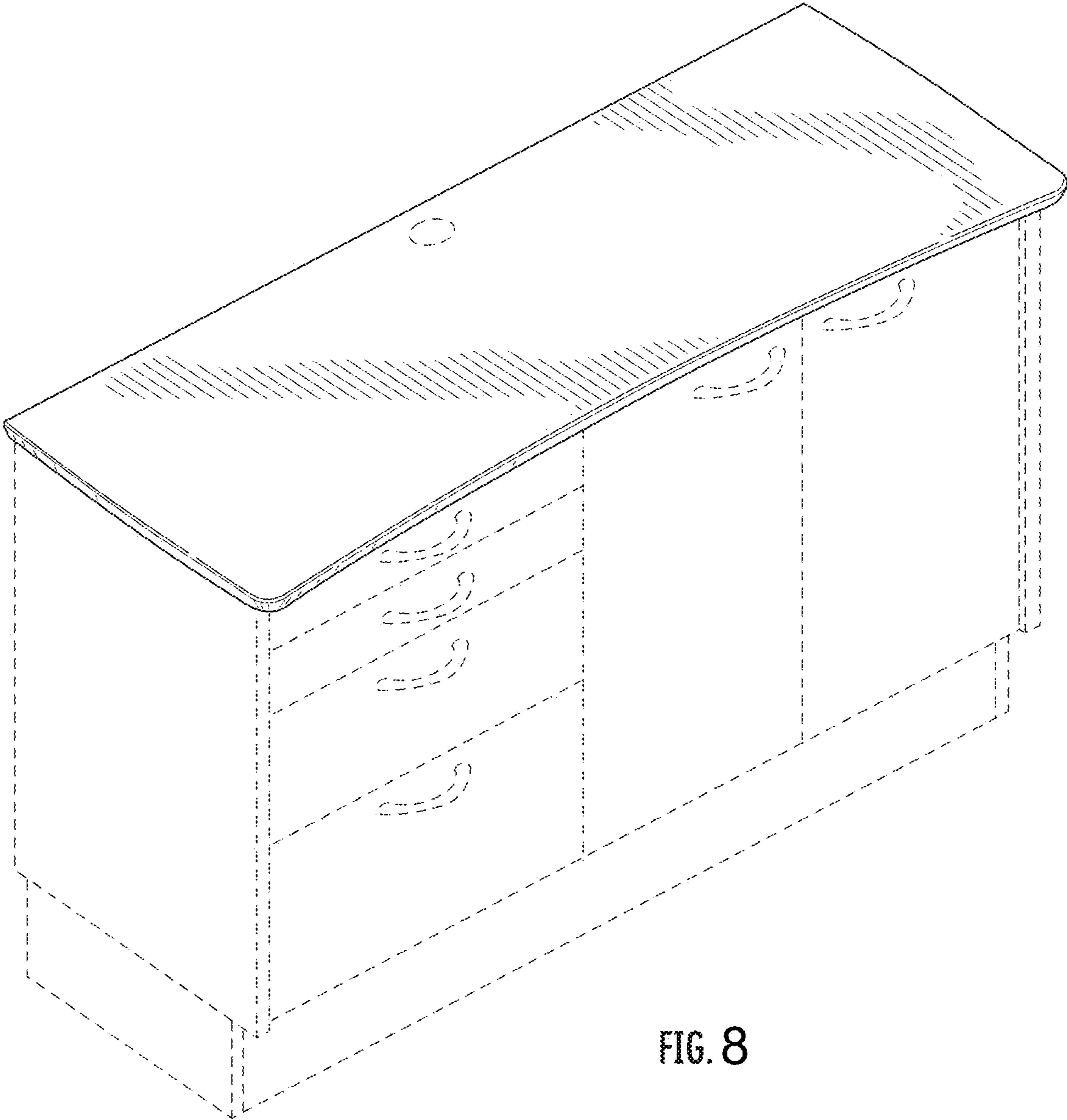


FIG. 8