



US00D958303S

(12) **United States Design Patent** (10) **Patent No.:** **US D958,303 S**  
**Yen** (45) **Date of Patent:** **\*\* Jul. 19, 2022**

(54) **HOSE CONNECTOR**  
(71) Applicant: **Ming-Tsan Yen**, Changhua (TW)  
(72) Inventor: **Ming-Tsan Yen**, Changhua (TW)  
(\*\*) Term: **15 Years**  
(21) Appl. No.: **29/762,109**  
(22) Filed: **Dec. 15, 2020**  
(51) **LOC (13) Cl.** ..... **23-01**  
(52) **U.S. Cl.**  
USPC ..... **D23/262**; D23/263  
(58) **Field of Classification Search**  
USPC ..... D23/200, 206–209, 233–237, 259,  
D23/322–323, 213, 230–232, 245, 365,  
D23/262–263, 266, 268, 231–232, 265;  
210/222–223; 209/39; D13/147, 154,  
D13/156; 138/26, 30; 285/9.1, 129.1,  
285/133.11, 207.5, 208, 210, 213, 83,  
285/275, 277, 148.14, 148.21, 268, 148.2,  
285/179; D24/127, 129  
CPC ... F28F 23/02; F28F 2250/08; F16L 2201/30;  
F16L 25/00; F16L 55/04; F16K 51/36;  
F16K 1/42; F16K 7/17; B01D 27/08;  
B01D 24/10; B01D 33/50; B05B 1/18;  
C02F 1/003; E03C 1/02  
See application file for complete search history.

(56) **References Cited**  
U.S. PATENT DOCUMENTS  
4,817,996 A \* 4/1989 Fouts ..... F16L 33/01  
285/179  
5,215,335 A \* 6/1993 Hamm, Jr. .... F16L 33/00  
248/68.1  
D356,147 S \* 3/1995 Clivio ..... D23/262  
D434,834 S \* 12/2000 Goto ..... D23/262  
D613,373 S \* 4/2010 Zore ..... D23/233  
7,887,097 B2 \* 2/2011 Blivet ..... F16L 37/0841  
285/45  
D634,820 S \* 3/2011 Leroyer ..... D23/263  
D645,547 S \* 9/2011 Lombardi ..... D23/262

8,303,000 B2 \* 11/2012 Liu ..... F16L 37/42  
285/277  
D741,458 S \* 10/2015 Guest ..... D23/262  
D751,675 S \* 3/2016 Gledhill ..... D23/259  
D774,163 S \* 12/2016 Solakian ..... D23/213  
D804,618 S \* 12/2017 Hurley ..... D23/259  
D832,409 S \* 10/2018 Sugatani ..... D23/263  
2010/0295292 A1 \* 11/2010 Wang ..... F16L 33/224  
285/24

(Continued)

**OTHER PUBLICATIONS**

Uxcell Brass Barb Hose Fitting; Amazon First Available Date Mar. 8, 2019; Visited Online Nov. 24, 2021; [https://www.amazon.com/uxcell-Fitting-Degree-Adapter-Connector/dp/B07PGZ5D79/ref=sr\\_1\\_118\\_sspa?keywords=Elbow%2BHose%2BConnector&qid=1637765039&s=hi&sr=1-118-sponZW5jcGVkUXVhbGlmaWVyPUFYTOIHNI](https://www.amazon.com/uxcell-Fitting-Degree-Adapter-Connector/dp/B07PGZ5D79/ref=sr_1_118_sspa?keywords=Elbow%2BHose%2BConnector&qid=1637765039&s=hi&sr=1-118-sponZW5jcGVkUXVhbGlmaWVyPUFYTOIHNI) (Year: 2019).\*

*Primary Examiner* — Amy C Wierenga  
(74) *Attorney, Agent, or Firm* — Karin L. Williams; Alan D. Kamrath; Mayer & Williams PC

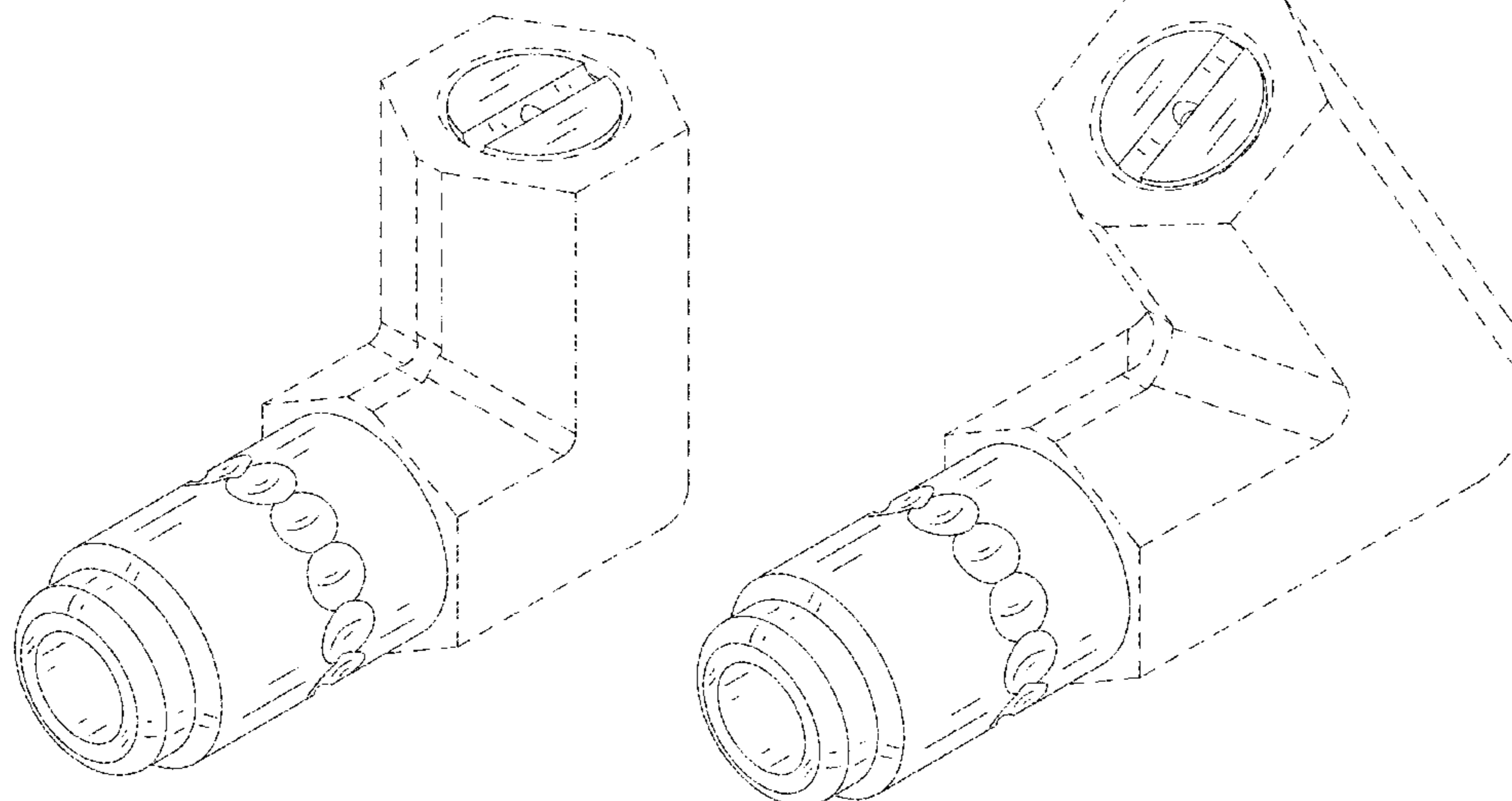
(57) **CLAIM**

The ornamental design for a hose connector, as shown and described.

**DESCRIPTION**

FIG. 1 is a perspective view of a first embodiment of a hose connector showing my new design;  
FIG. 2 is a front elevational view thereof;  
FIG. 3 is a rear elevational view thereof;  
FIG. 4 is a left side elevational view thereof;  
FIG. 5 is a right side elevational view thereof;  
FIG. 6 is a top plan view thereof;  
FIG. 7 is a bottom plan view thereof; and,  
FIG. 8 is a perspective view of a second embodiment of a hose connector showing my new design.  
The dashed broken lines depict portions of the hose connector that form no part of the claimed design.

**1 Claim, 8 Drawing Sheets**



(56)

**References Cited**

U.S. PATENT DOCUMENTS

2011/0271515 A1\* 11/2011 Poder ..... F16L 37/144  
29/525.01  
2014/0326345 A1\* 11/2014 Kuo ..... F16L 37/28  
137/798  
2015/0226360 A1\* 8/2015 Souma ..... B29C 45/2614  
285/179

\* cited by examiner

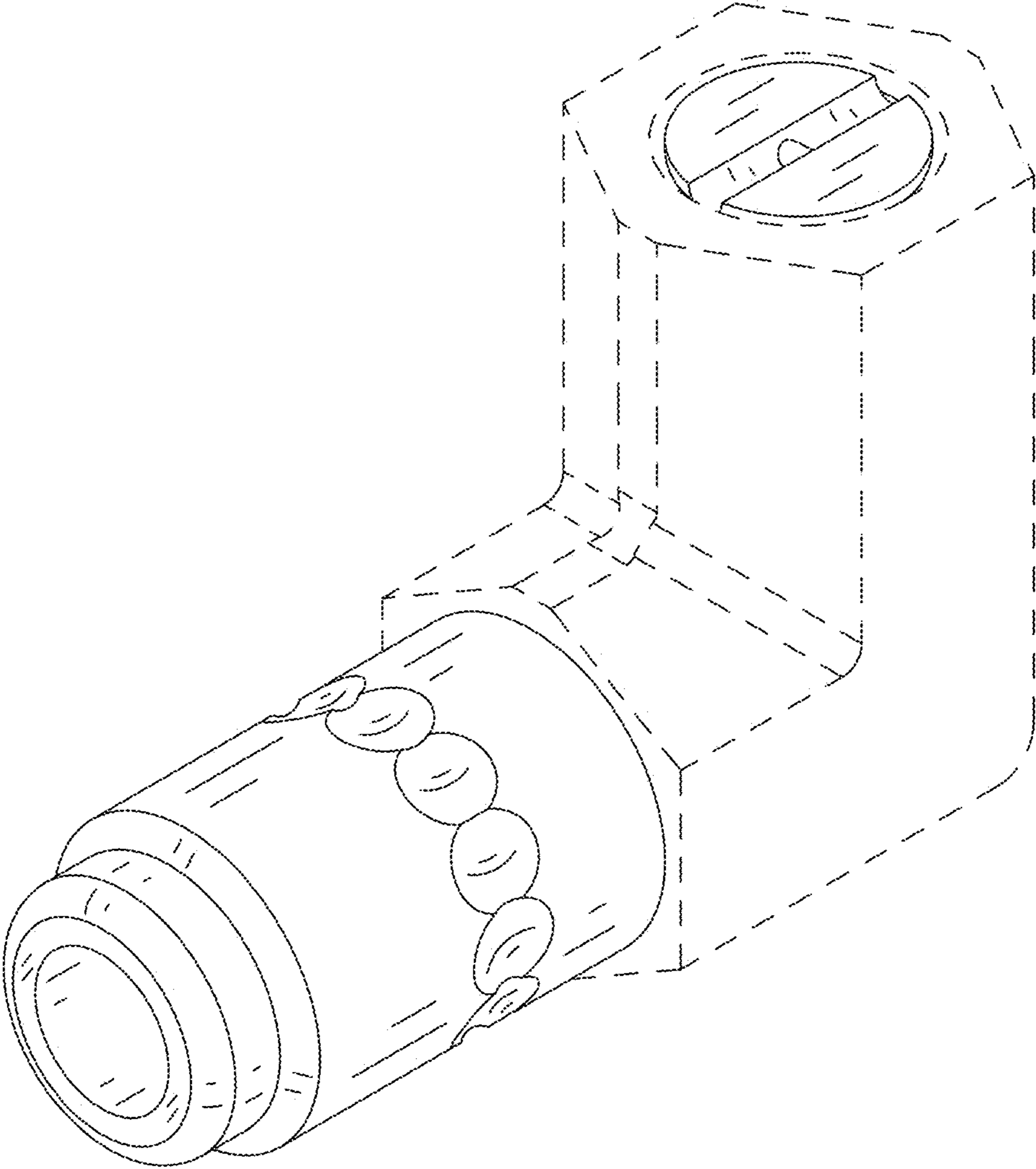


FIG. 1

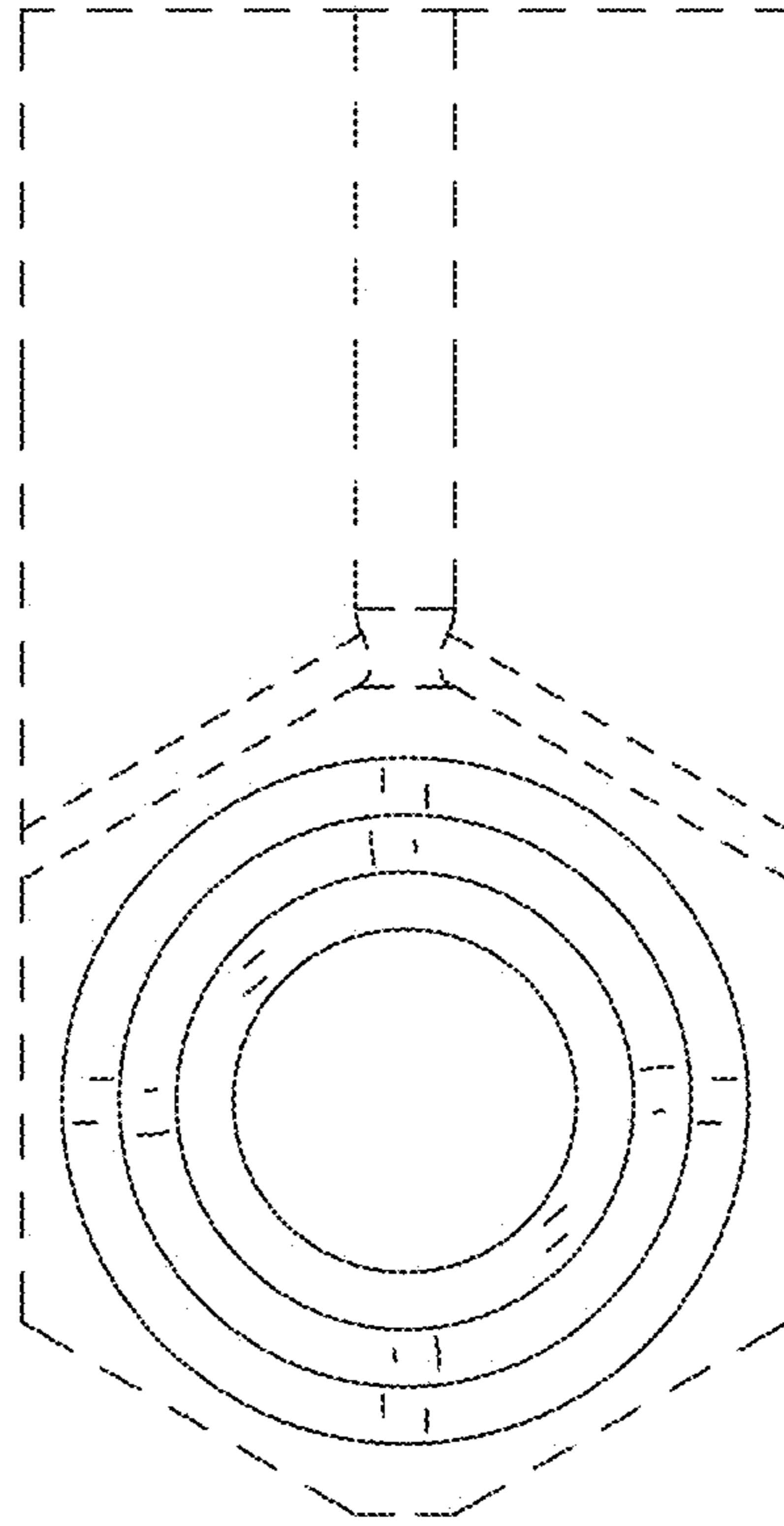


FIG. 2

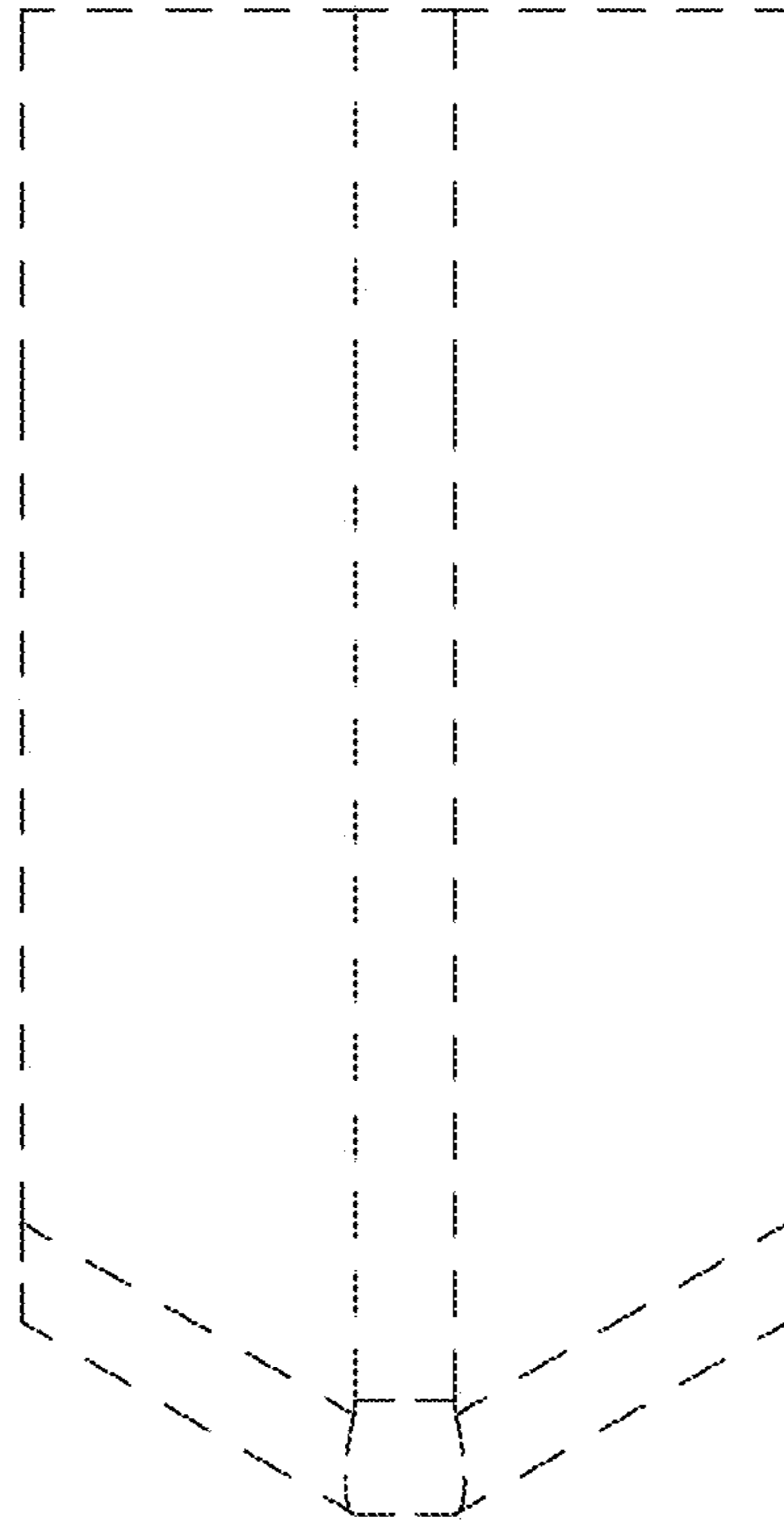


FIG. 3

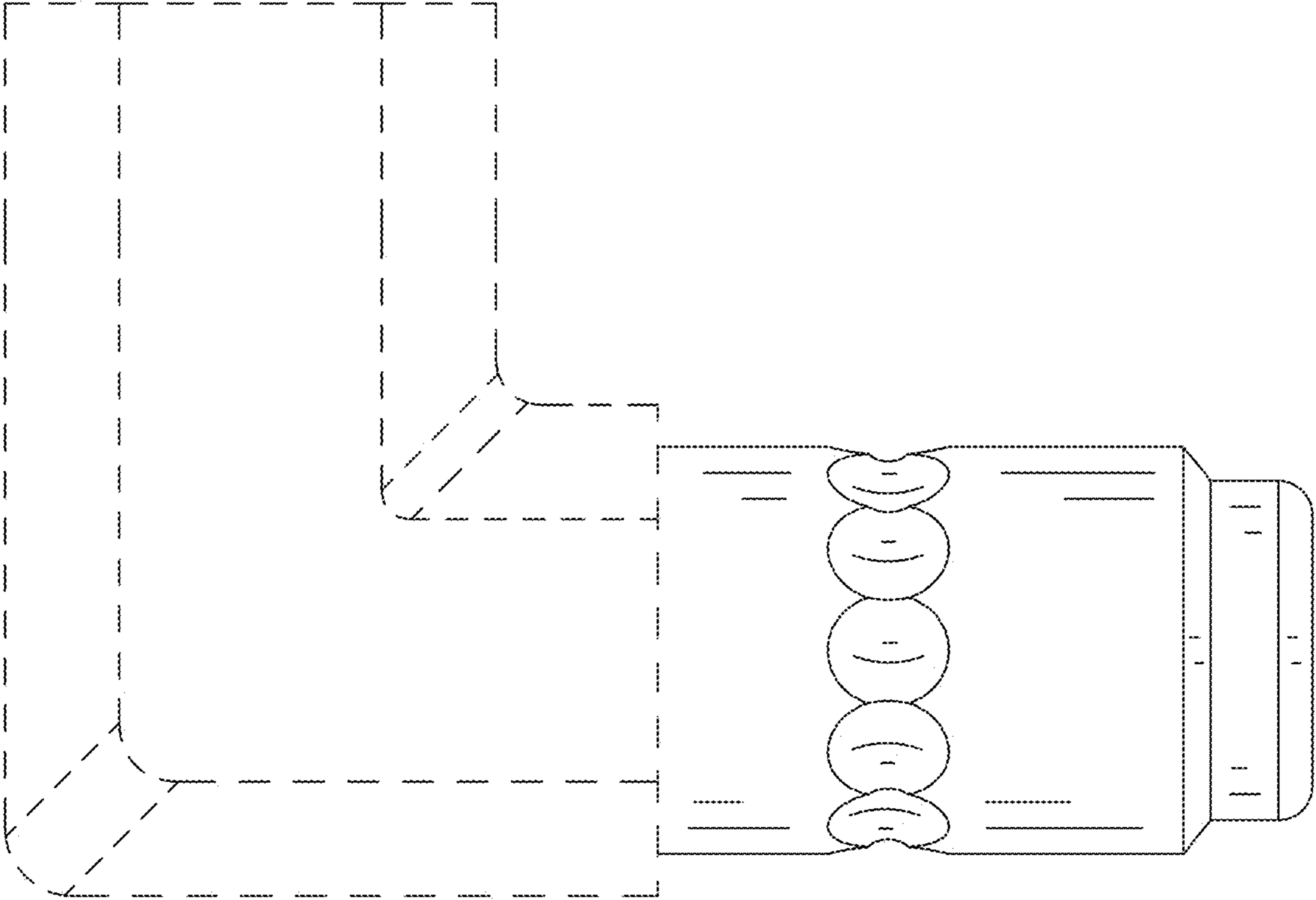


FIG. 4

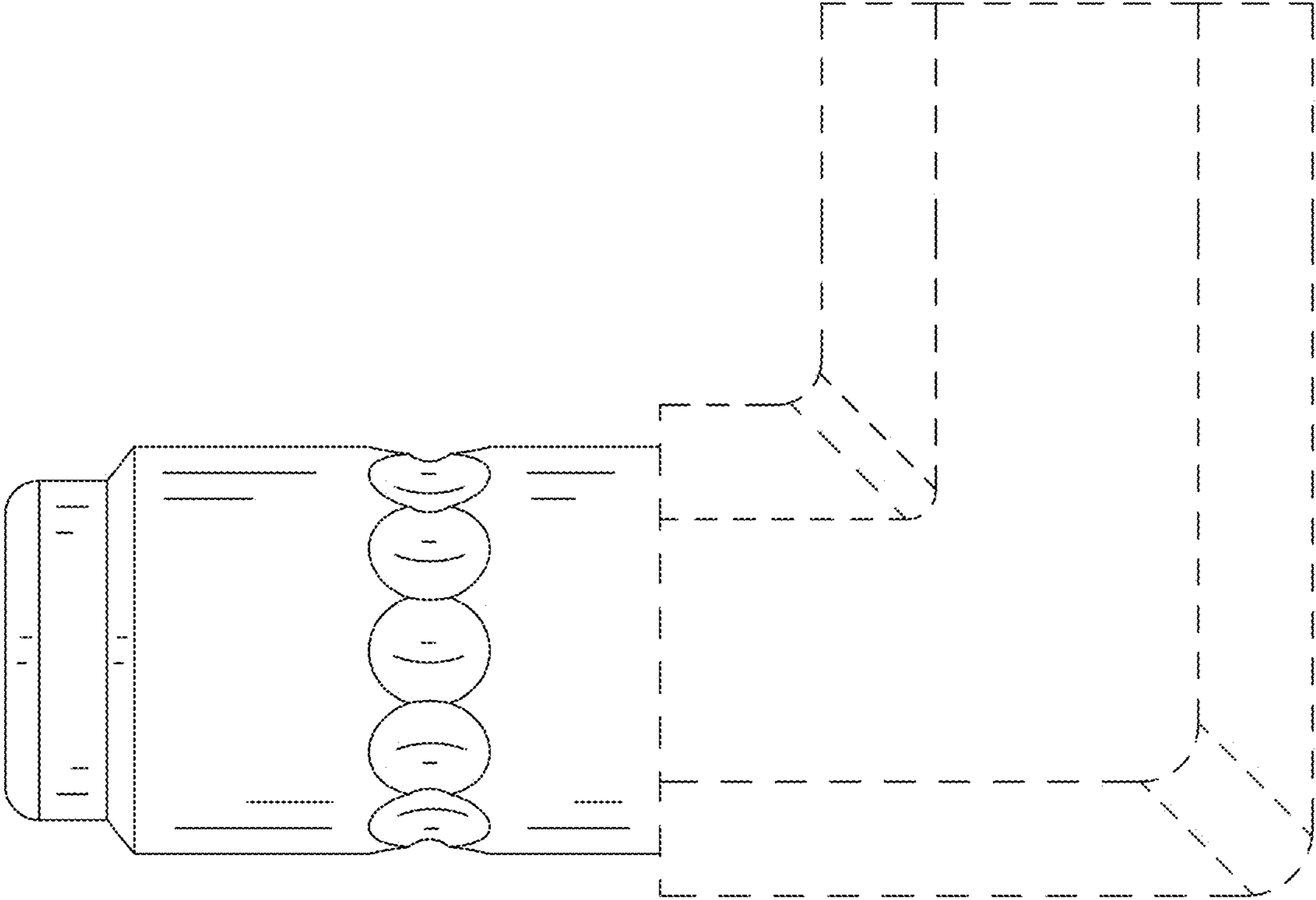


FIG. 5

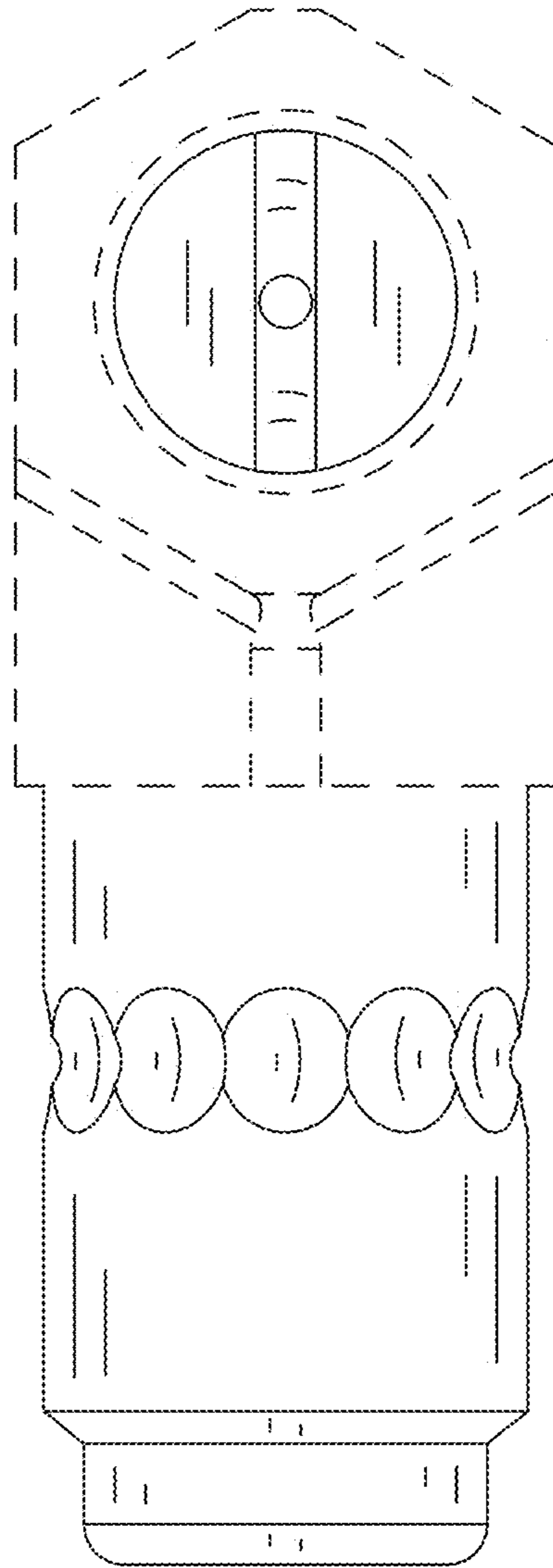


FIG. 6



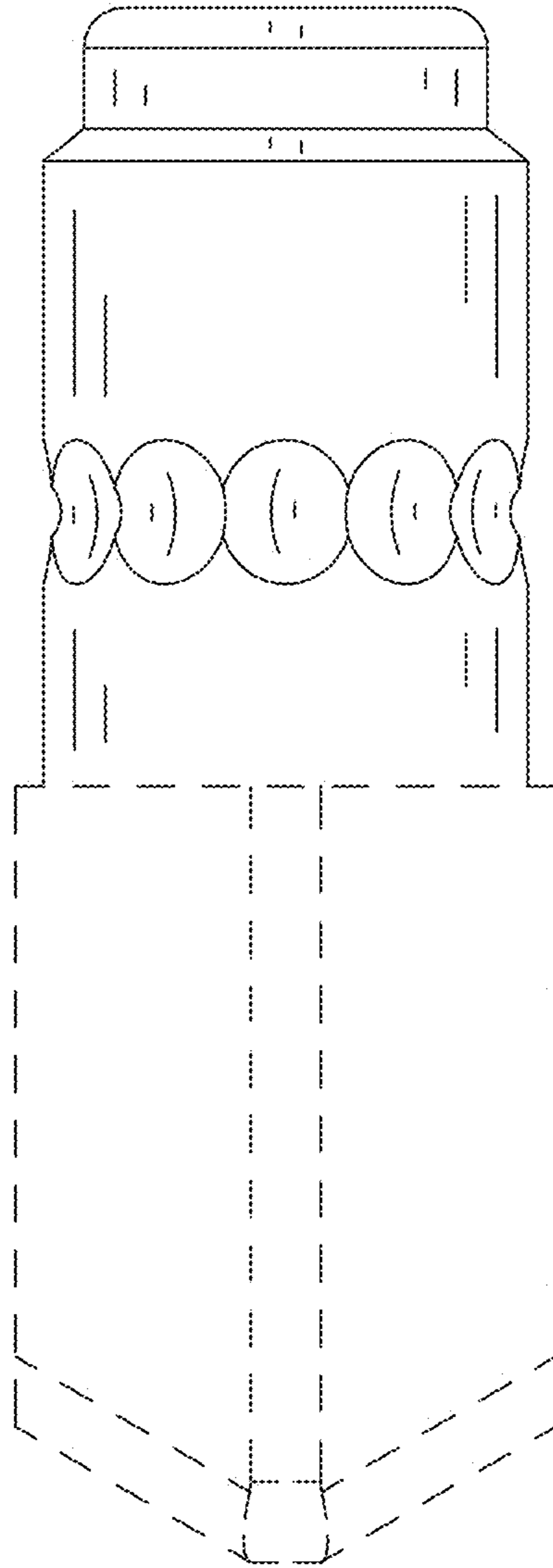


FIG. 7

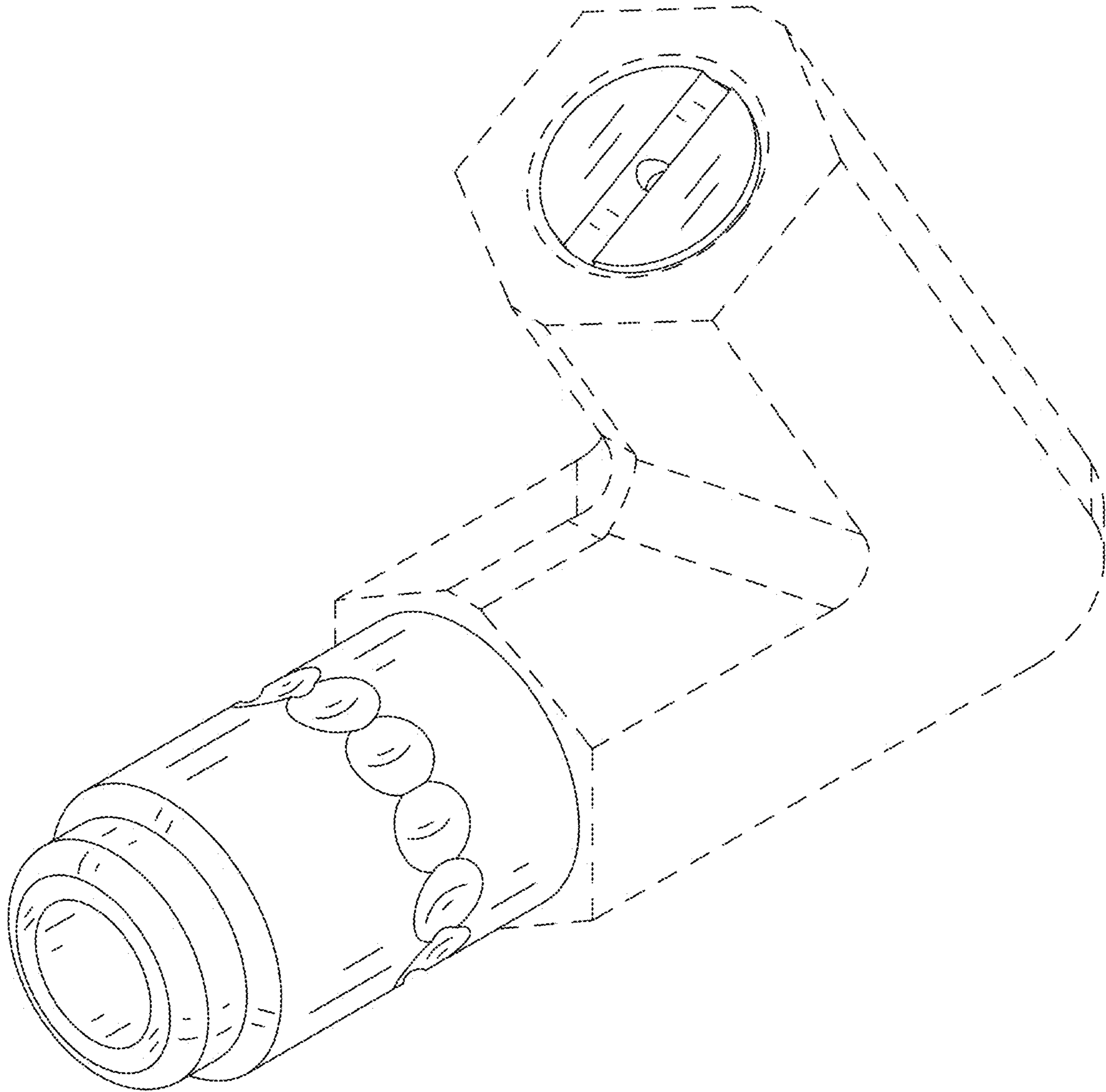


FIG. 8