



US00D958301S

(12) **United States Design Patent**
Mai

(10) **Patent No.:** **US D958,301 S**

(45) **Date of Patent:** **** *Jul. 19, 2022**

(54) **FAUCET**

(71) Applicant: **Shuliang Mai**, Heshan (CN)

(72) Inventor: **Shuliang Mai**, Heshan (CN)

(73) Assignee: **KES HOME (U.S.) LIMITED**, Hong Kong (HK)

(*) Notice: This patent is subject to a terminal disclaimer.

(**) Term: **15 Years**

(21) Appl. No.: **29/689,165**

(22) Filed: **Apr. 26, 2019**

(51) **LOC (13) Cl.** **23-01**

(52) **U.S. Cl.**
USPC **D23/255**

(58) **Field of Classification Search**
USPC D23/255, 257, 238, 241–243
See application file for complete search history.

(56) **References Cited**

U.S. PATENT DOCUMENTS

- D589,121 S * 3/2009 McKeone D23/238
- D619,220 S * 7/2010 Semchuck D23/238
- 8,056,574 B2 * 11/2011 Erickson E03C 1/042
137/15.18
- D855,765 S * 8/2019 Song D23/238

- D860,396 S * 9/2019 Seum D23/238
- D883,436 S * 5/2020 Kuang D23/238

* cited by examiner

Primary Examiner — Robert A Delehanty

(57) **CLAIM**

The ornamental design for a faucet, as shown and described.

DESCRIPTION

FIG. 1 is a right, top, front perspective view of a faucet embodying my new design shown in one of many extended positions;

FIG. 2 is a right side elevational view thereof;

FIG. 3 is a left side elevational view thereof;

FIG. 4 is a front elevational view thereof;

FIG. 5 is a rear elevational view thereof;

FIG. 6 is a top plan view thereof;

FIG. 7 is a bottom plan view thereof;

FIG. 8 is a right, top, front perspective view of the faucet of FIG. 1 shown in a retracted position;

FIG. 9 is a right side elevational view thereof;

FIG. 10 is a left side elevational view thereof;

FIG. 11 is a front elevational view thereof;

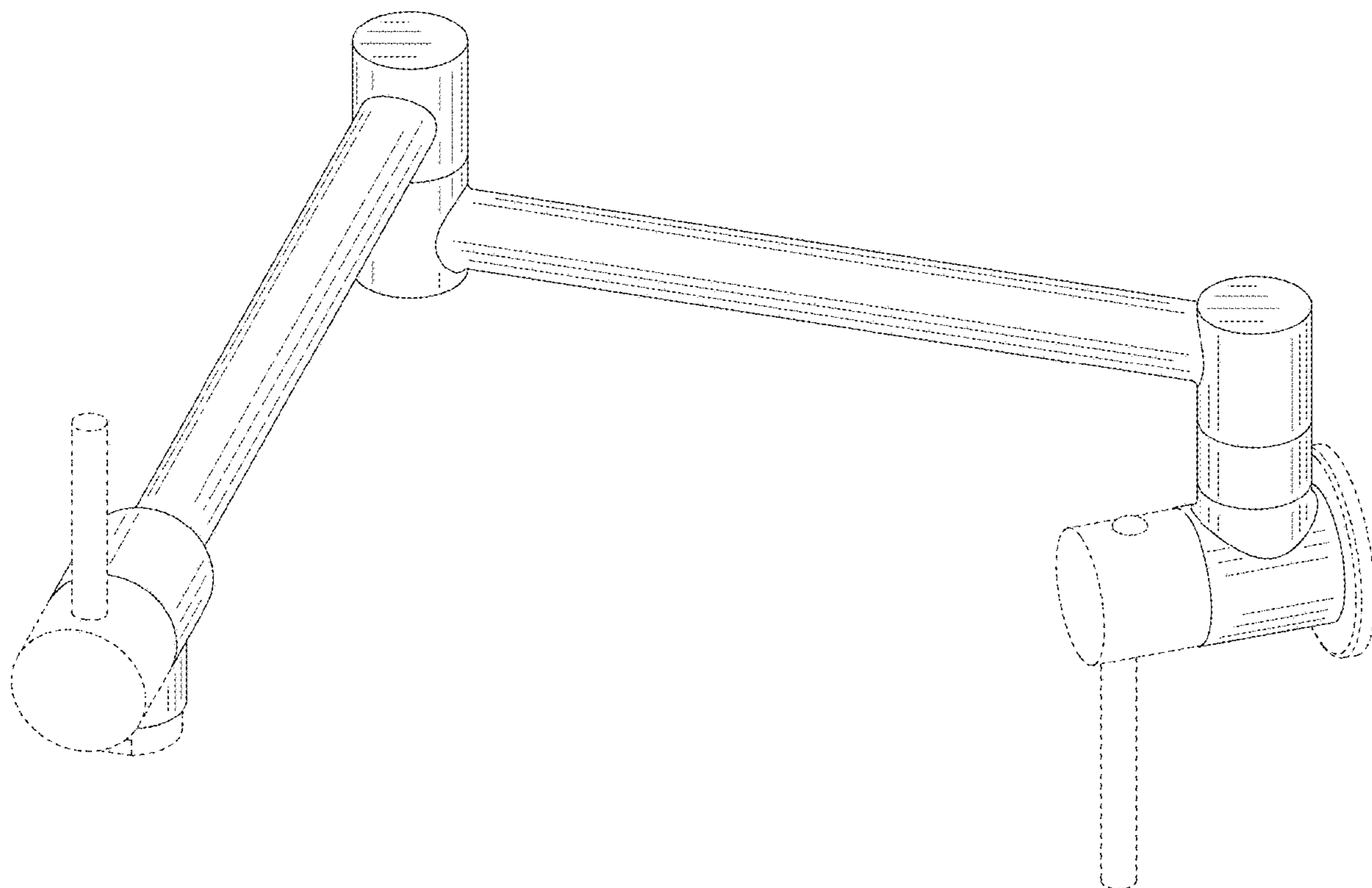
FIG. 12 is a rear elevational view thereof;

FIG. 13 is a top plan view thereof; and,

FIG. 14 is a bottom plan view thereof.

The broken line representations in the figures are for the purpose of illustration only, and form no part of the claimed design.

1 Claim, 14 Drawing Sheets



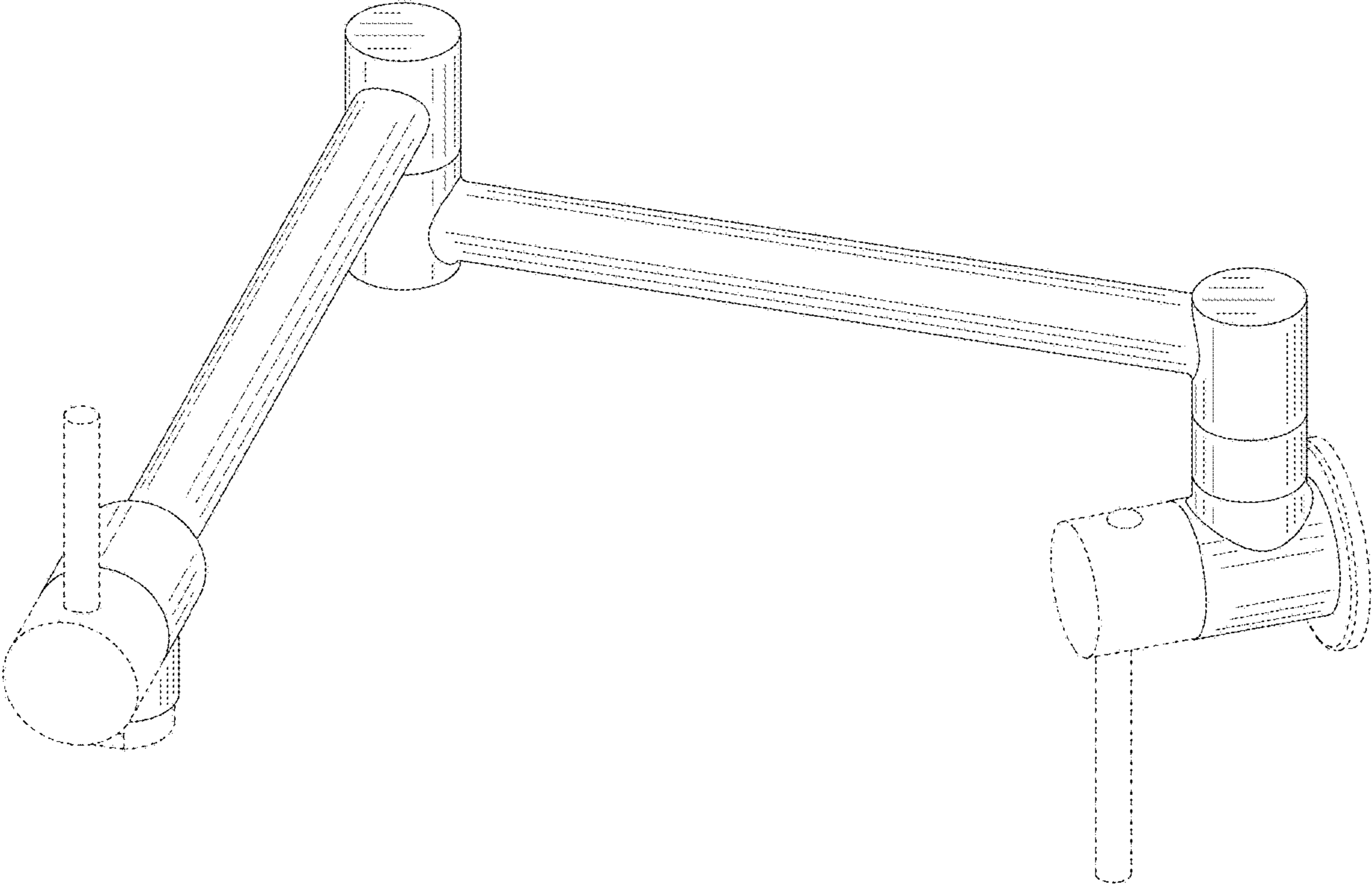


FIG. 1

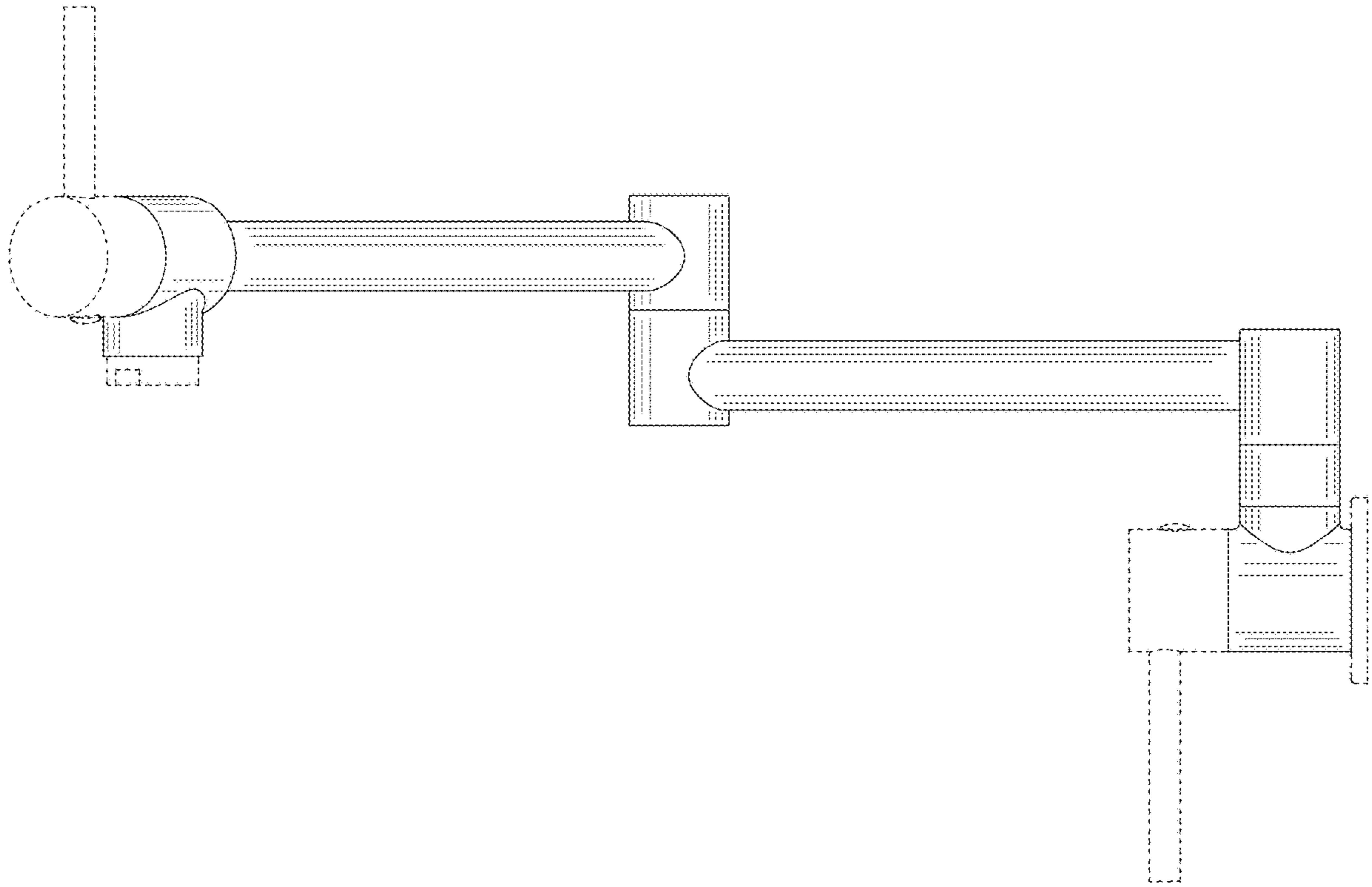


FIG. 2

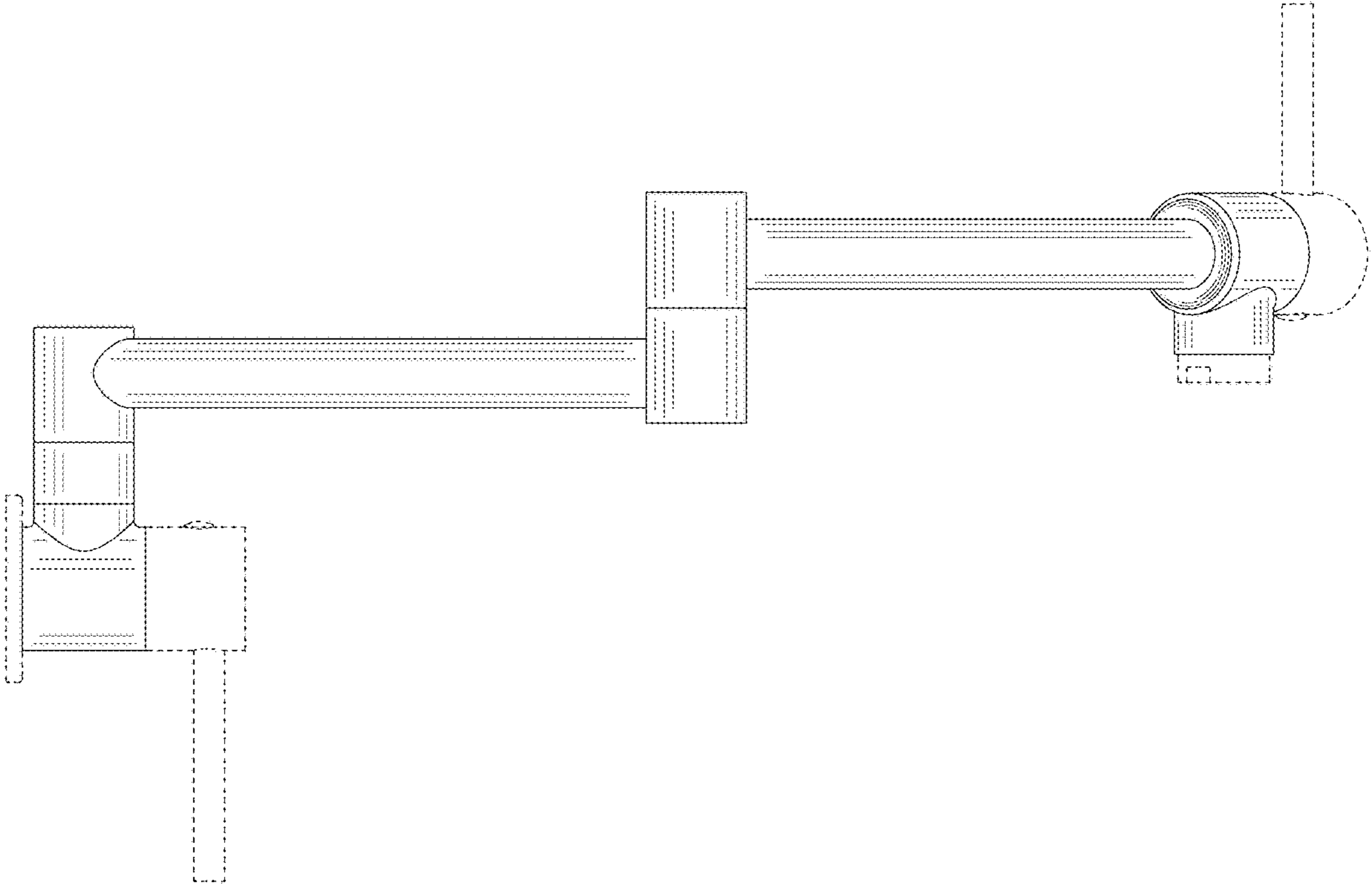


FIG. 3

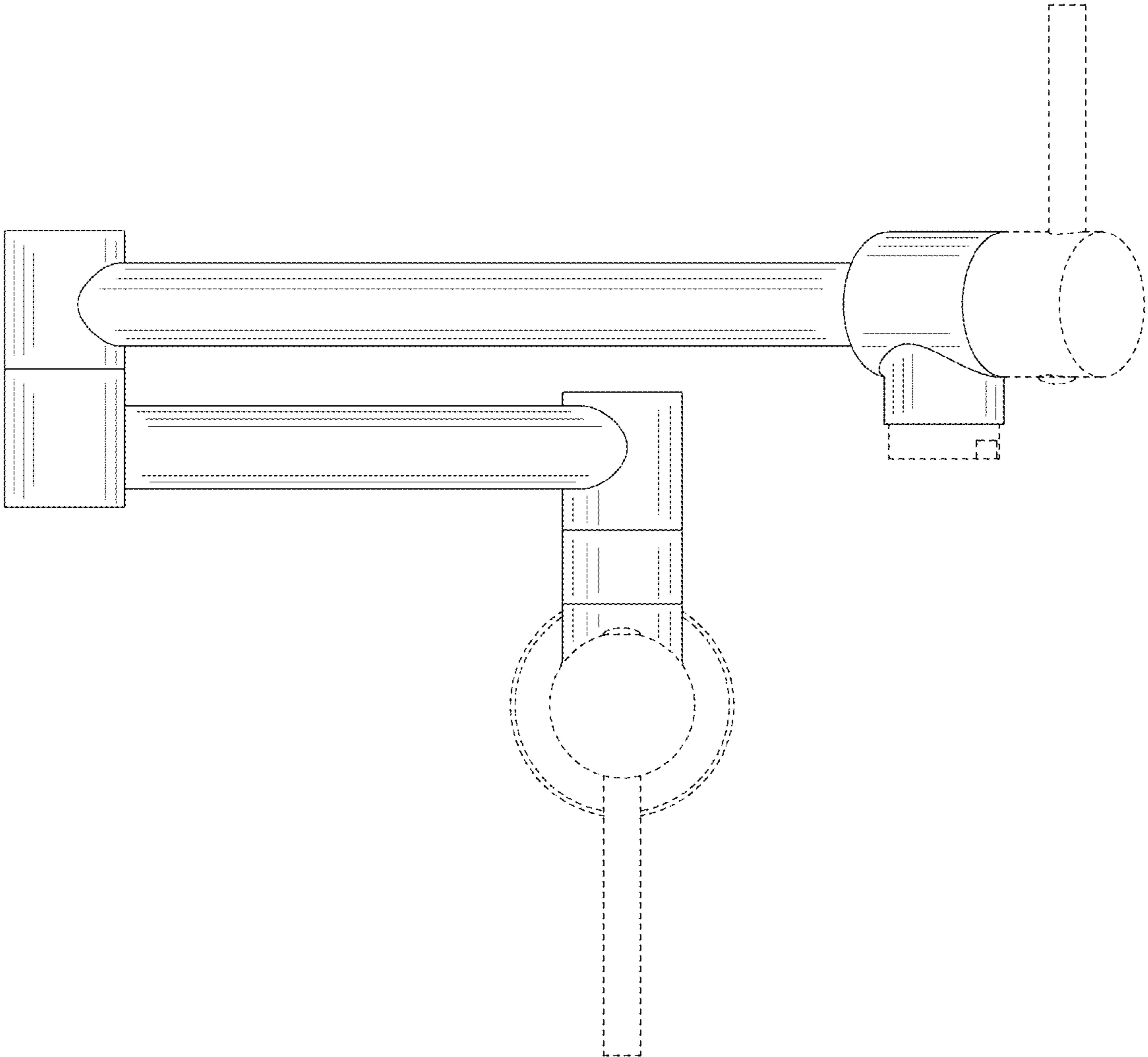


FIG.4

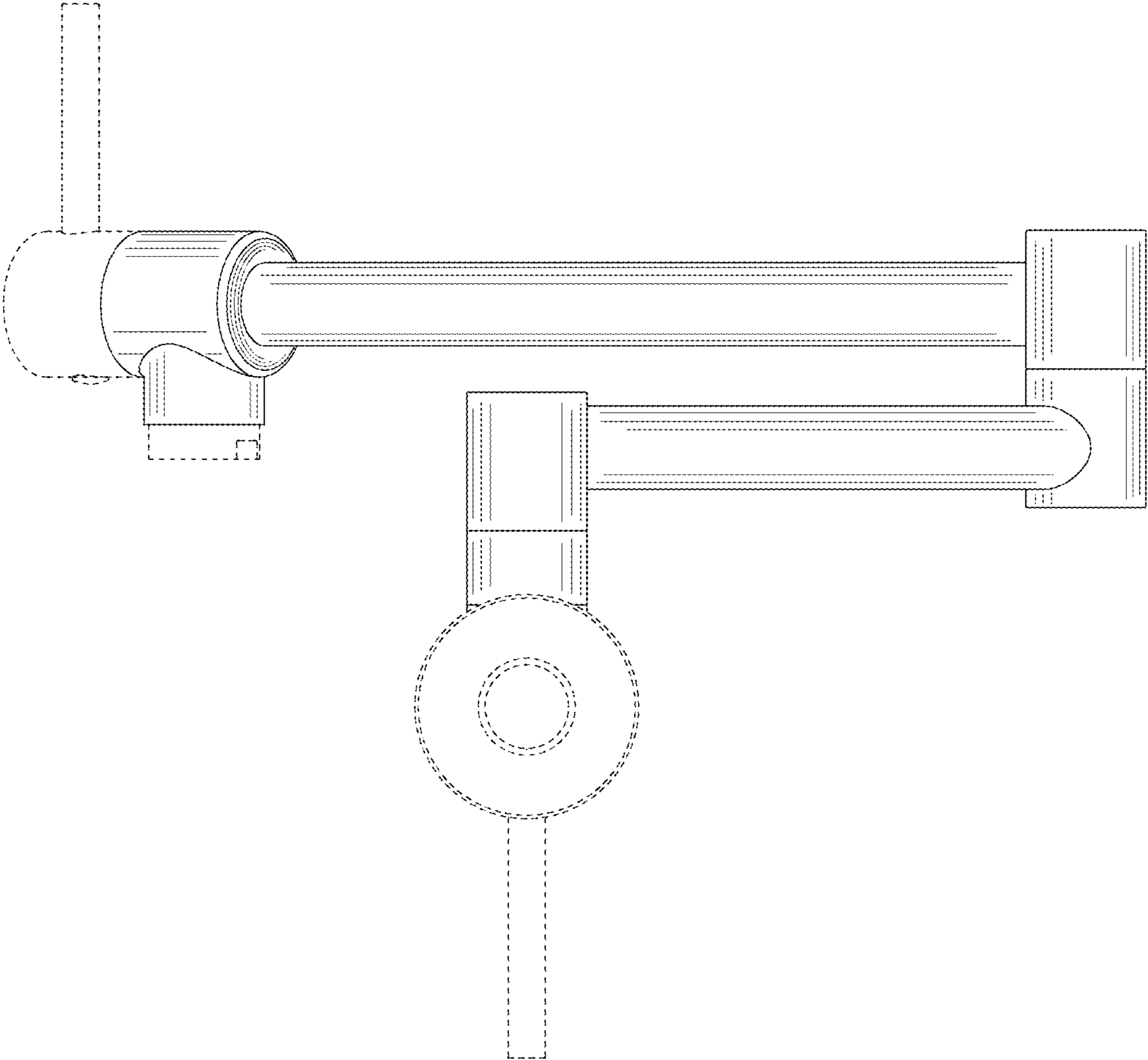


FIG. 5

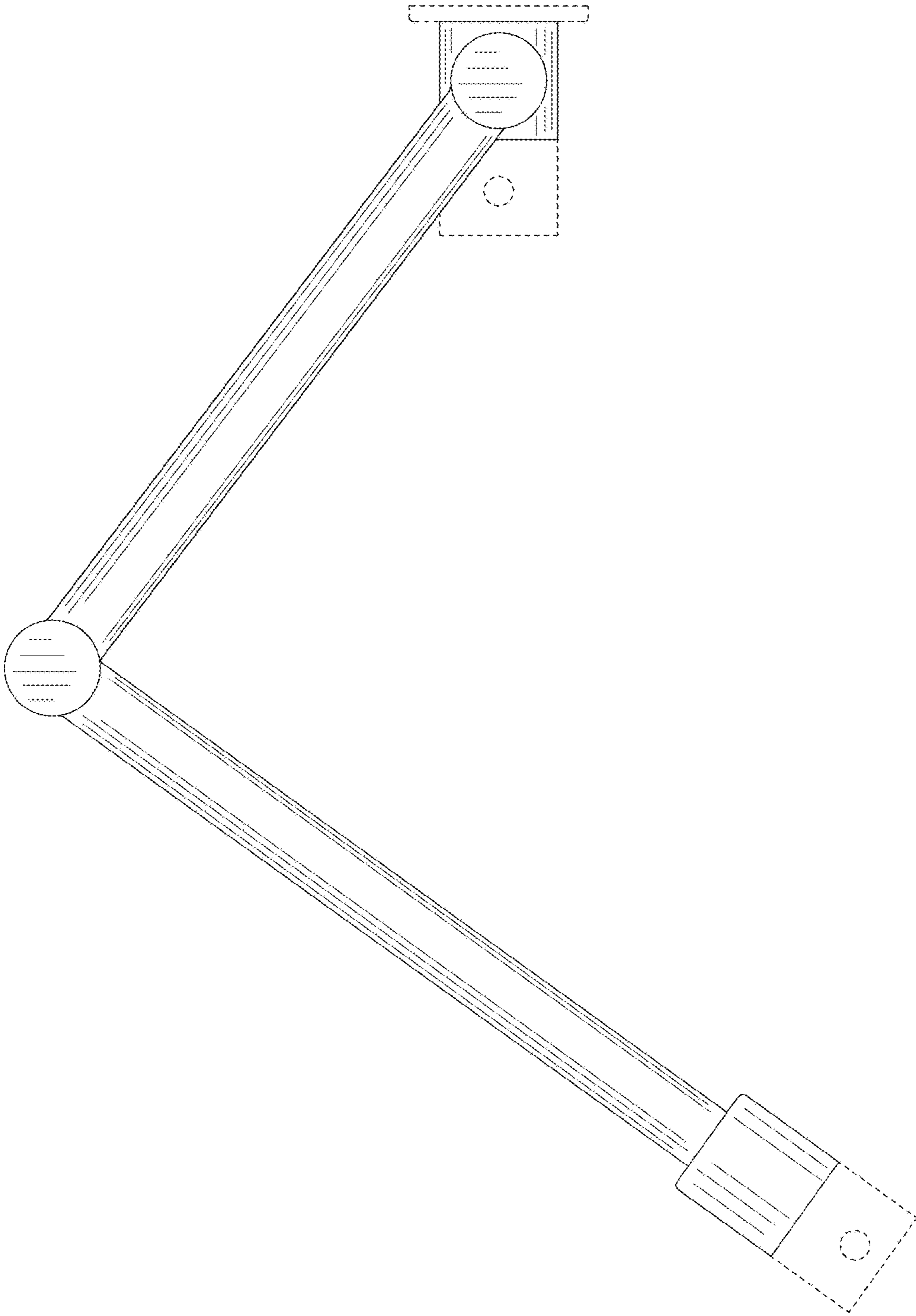


FIG. 6

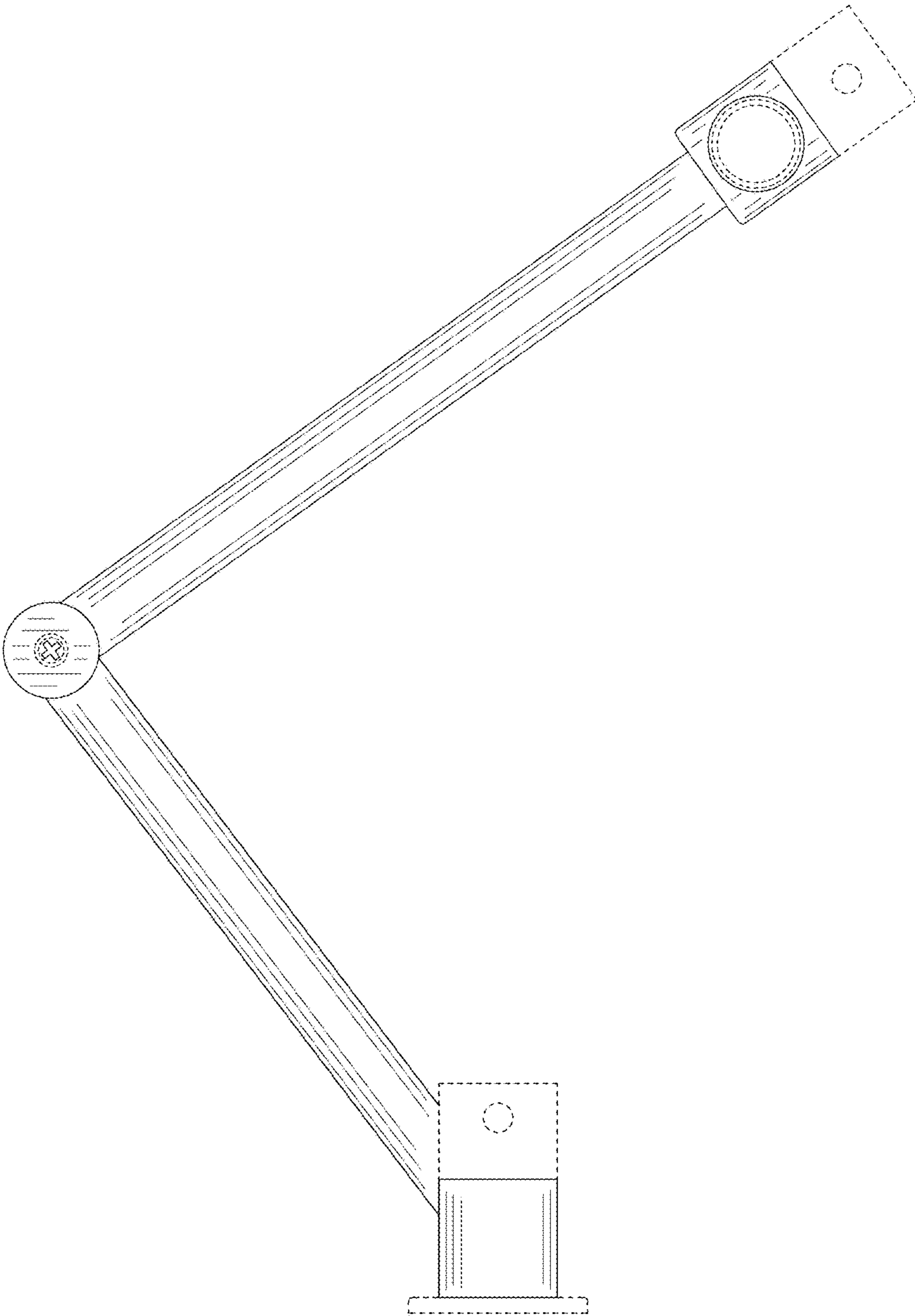


FIG. 7

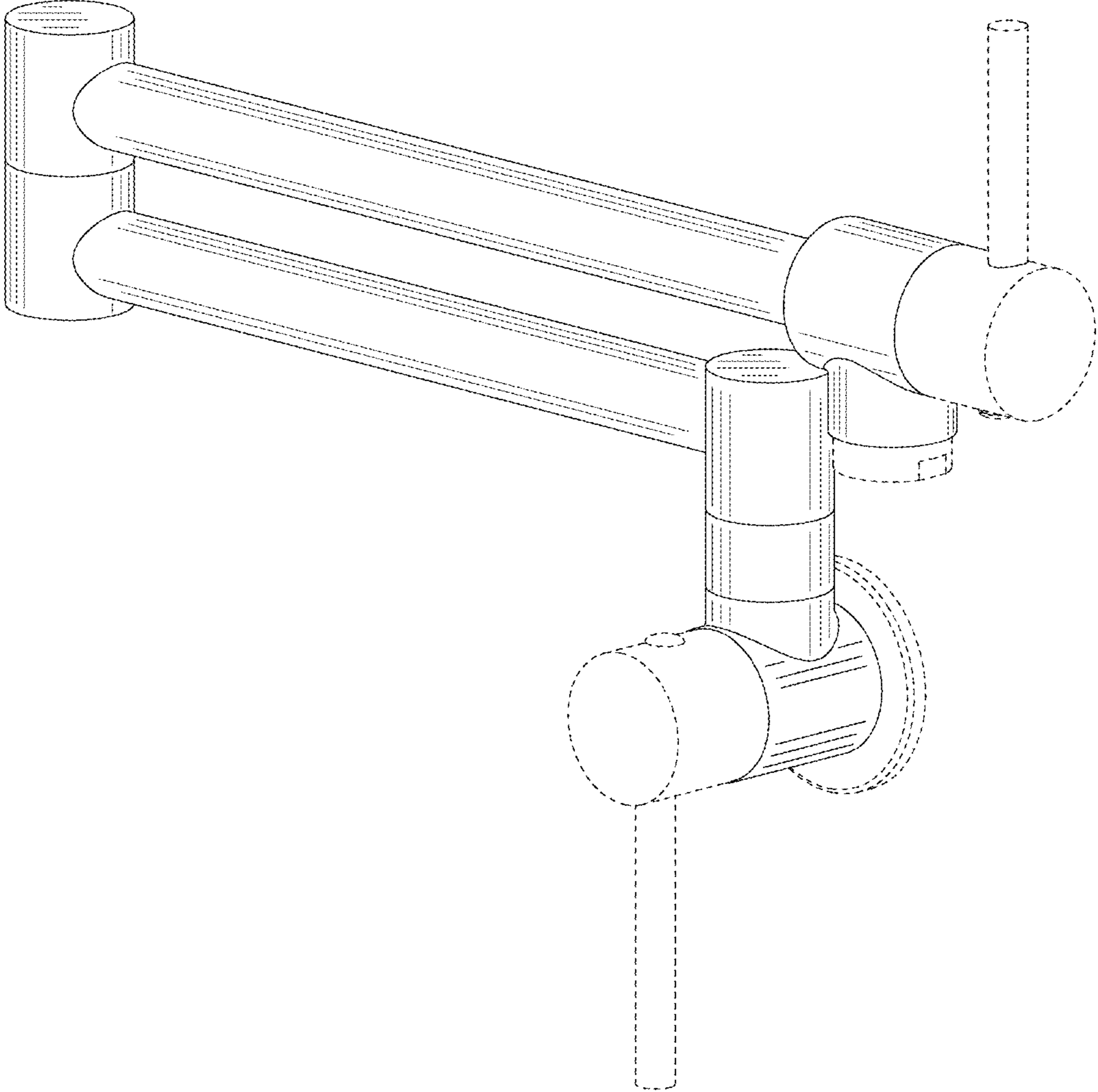


FIG.8

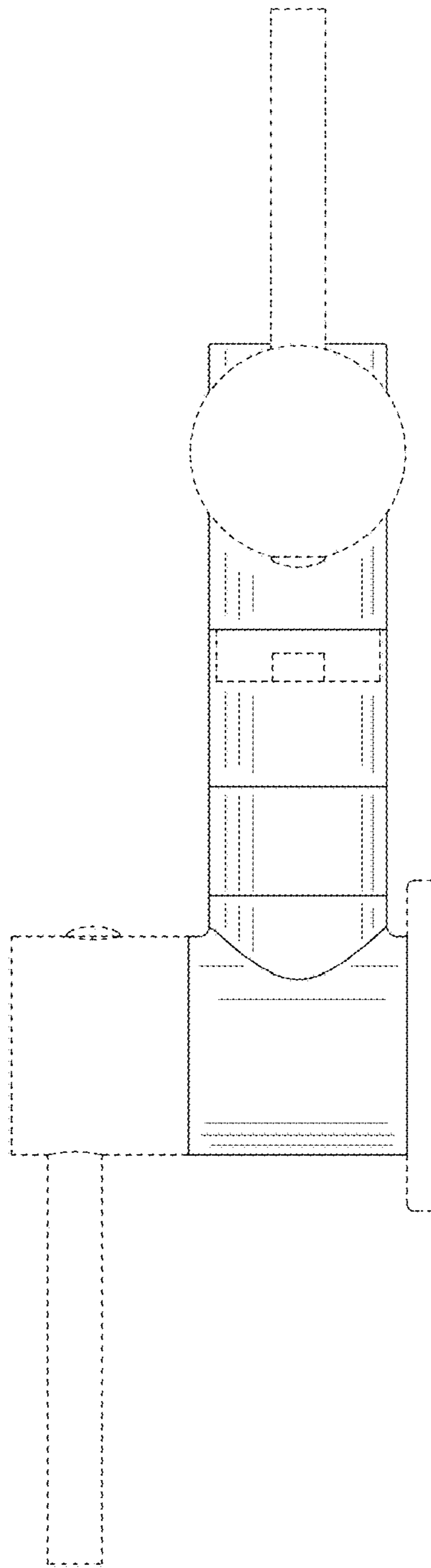


FIG.9

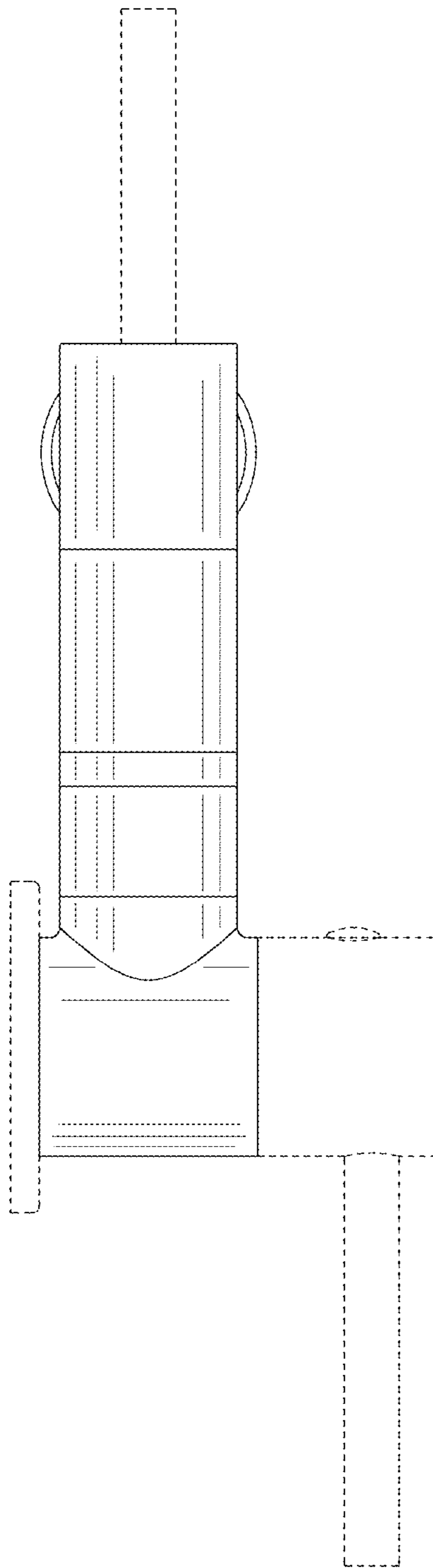


FIG. 10

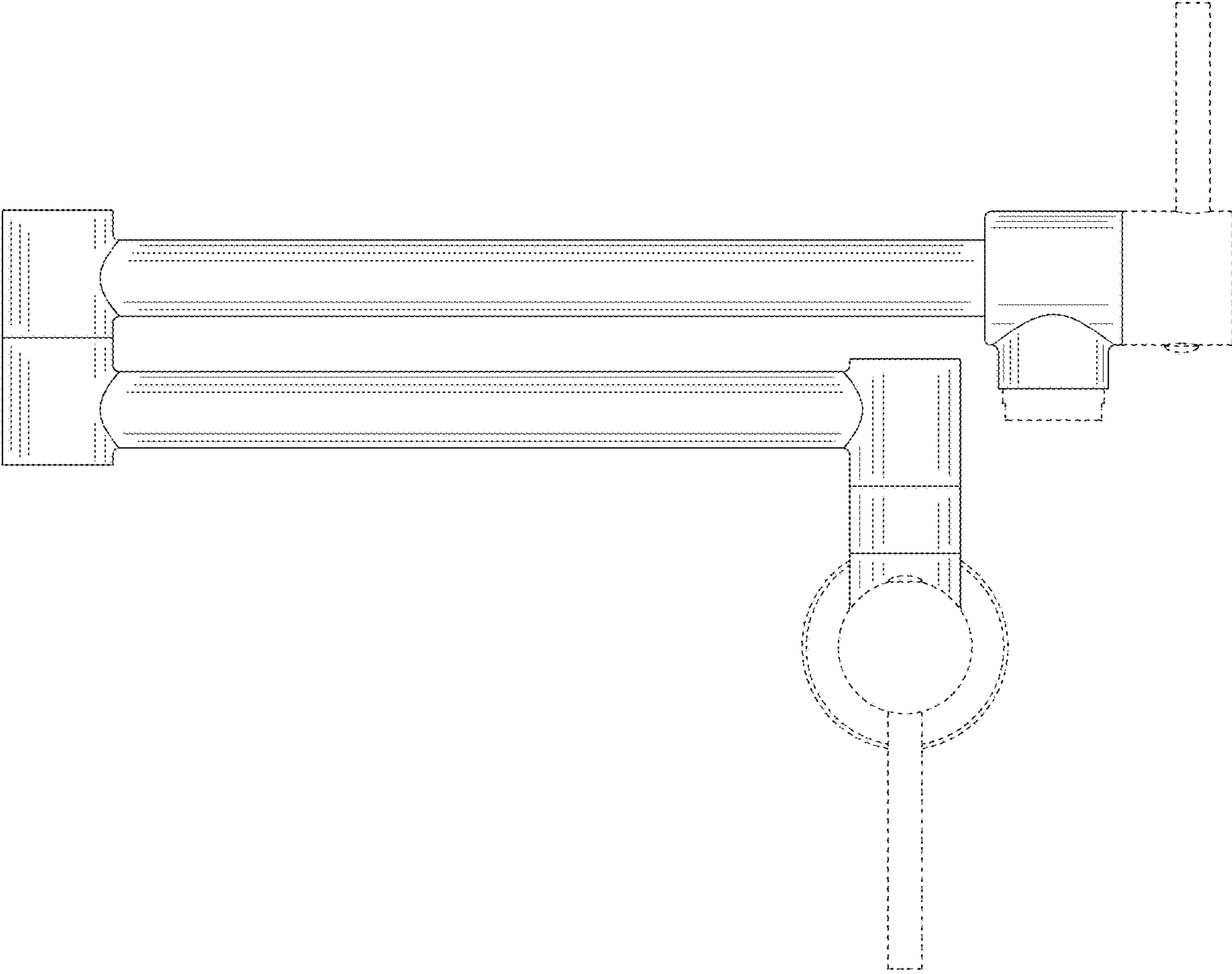


FIG.11

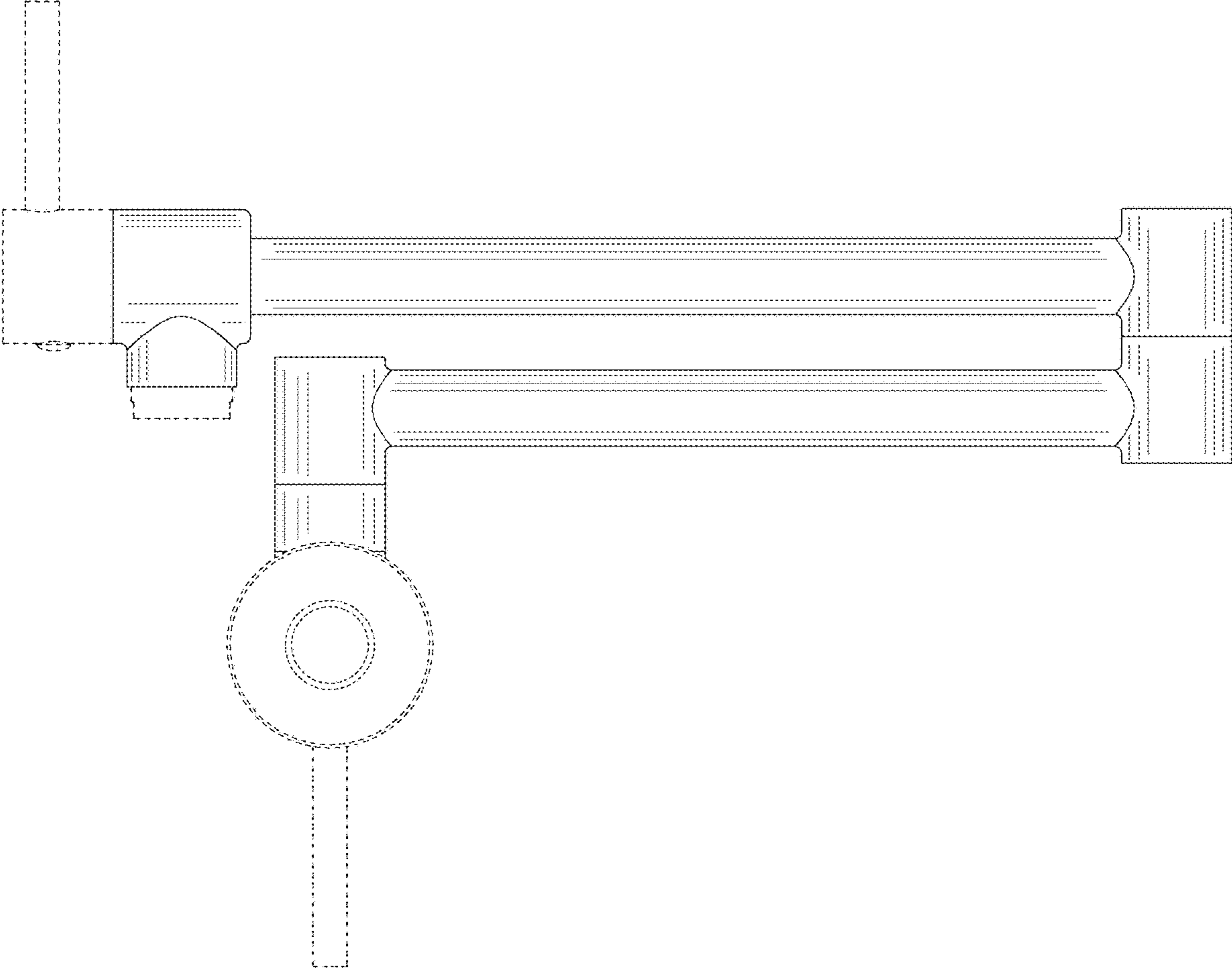


FIG.12



FIG. 13

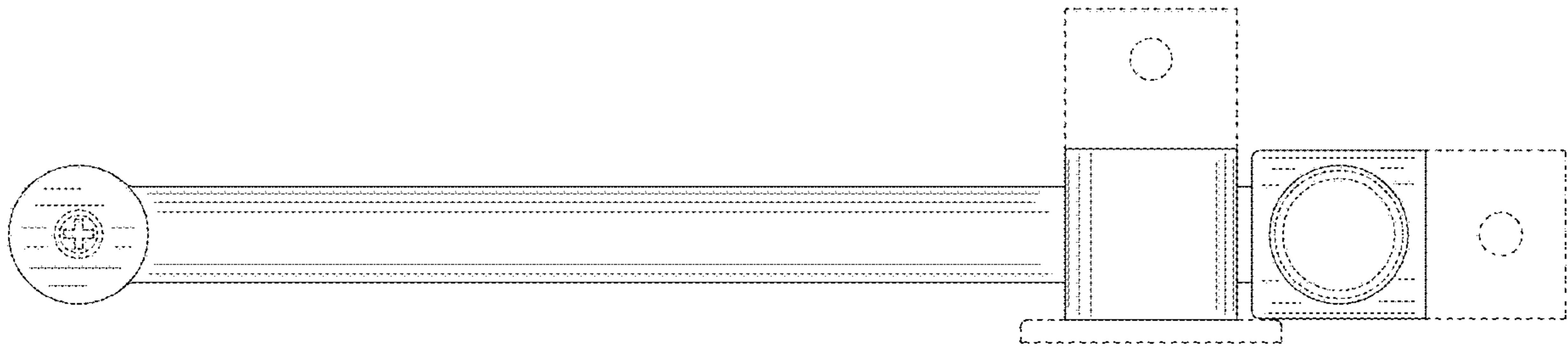


FIG.14