



US00D958300S

(12) **United States Design Patent** (10) **Patent No.:** **US D958,300 S**
Lazarini (45) **Date of Patent:** **** Jul. 19, 2022**

(54) **VALVE**
(71) Applicant: **DELTA FAUCET COMPANY,**
Indianapolis, IN (US)
(72) Inventor: **Alejandra Lazarini,** Carmel, IN (US)
(73) Assignee: **DELTA FAUCET COMPANY,**
Indianapolis, IN (US)
(**) Term: **15 Years**
(21) Appl. No.: **29/732,833**
(22) Filed: **Apr. 28, 2020**
(51) **LOC (13) Cl.** **23-01**
(52) **U.S. Cl.**
USPC **D23/254**
(58) **Field of Classification Search**
USPC D23/233, 238, 237, 239, 240, 241, 242,
D23/250, 251, 252, 253, 254; D8/300,
D8/301, 302, 307, 350, 352
CPC E03C 1/00; E03C 1/02; E03C 1/04; E03C
1/0408; E03C 1/0409; E03C 1/06; E03C
1/063; E03C 1/066; E03C 1/10; E03C
1/025
See application file for complete search history.

D474,833 S * 5/2003 Marshall D23/254
D486,559 S * 2/2004 Otero D23/254
D507,038 S * 7/2005 Spangler D23/252
D519,612 S * 4/2006 Fritz D23/241
D522,102 S * 5/2006 Fritz D23/252
D531,267 S * 10/2006 Hundley D23/238
D532,085 S * 11/2006 Svendsen D23/242

(Continued)

FOREIGN PATENT DOCUMENTS

CN 200730331103 * 11/2007
GB 2060261 * 10/1996
GB 2060262 * 10/1996

OTHER PUBLICATIONS

Amazon, Delta Faucet T11759 Trinsic 2 Setting diverter, posted Aug. 25, 2015, [online], [visited Mar. 23, 2022]. Internet, <URL: <https://www.amazon.co.uk/Delta-Faucet-T11759-Trinsic-Diverter/dp/B014F4JSRW/ref>> (Year: 2015).*

(Continued)

Primary Examiner — Samantha Wood
(74) *Attorney, Agent, or Firm* — Nirav D. Parikh; Edgar A. Zarins

(57) **CLAIM**

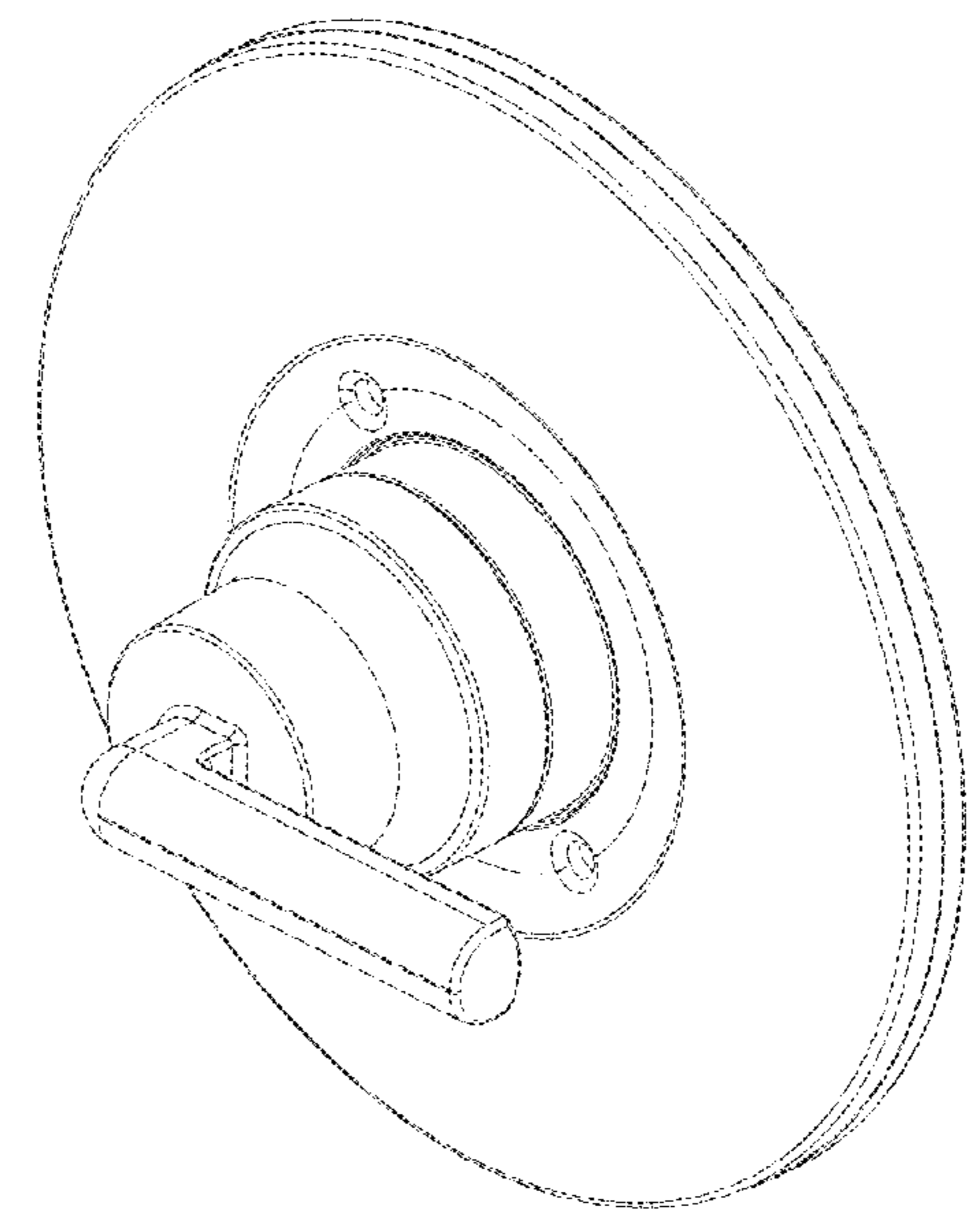
The ornamental design for a valve, as shown and described.

DESCRIPTION

FIG. 1 is a front perspective view of the valve showing my new design;
FIG. 2 is a rear perspective view thereof;
FIG. 3 is a front elevational view thereof;
FIG. 4 is a left side view thereof;
FIG. 5 is a rear view thereof;
FIG. 6 is a right side view thereof;
FIG. 7 is a top view thereof; and,
FIG. 8 is a bottom view thereof.

1 Claim, 4 Drawing Sheets

(56) **References Cited**
U.S. PATENT DOCUMENTS
D300,940 S * 5/1989 Paul D23/242
D305,863 S * 2/1990 Gresens D8/352
D313,926 S * 1/1991 Kautt D8/308
D345,684 S * 4/1994 Shaanan D8/308
D345,782 S * 4/1994 Short D23/249
D357,525 S * 4/1995 Fabian D23/252
D364,217 S * 11/1995 Dubin D23/252
D403,750 S * 1/1999 Fabian D8/352
D448,068 S * 9/2001 Lord D23/254
D458,349 S * 6/2002 Mullenmeister D23/250
D461,878 S * 8/2002 Green D23/250



(56)

References Cited

U.S. PATENT DOCUMENTS

D579,529 S * 10/2008 Bickler D23/254
 D583,016 S * 12/2008 Downey D23/250
 D590,480 S * 4/2009 Shieh D23/252
 D606,171 S * 12/2009 Lammel D23/254
 D634,815 S * 3/2011 Barry D23/252
 D635,444 S * 4/2011 Roberts, III D8/352
 D648,424 S * 11/2011 Gilbert 137/359
 D651,693 S * 1/2012 Flowers D23/254
 D666,277 S * 8/2012 Schaefer D23/252
 9,051,720 B1 * 6/2015 Jones E03C 1/02
 D759,202 S * 6/2016 Moerman D23/238
 D811,541 S * 2/2018 Yang D23/252
 D811,548 S * 2/2018 Garland D23/254
 D826,382 S * 8/2018 Spangler D23/254
 D884,126 S * 5/2020 McKeone D23/252
 D889,606 S * 7/2020 Downey D23/254
 D890,306 S * 7/2020 Potter D23/242
 D891,584 S * 7/2020 Johnson D23/238
 D904,575 S * 12/2020 Garland D23/254
 D936,798 S * 11/2021 Lazarini D23/254

D937,987 S * 12/2021 Lazarini D23/252
 D939,057 S * 12/2021 Park D23/254
 2019/0017628 A1 * 1/2019 Malasorti F16K 43/003

OTHER PUBLICATIONS

Amazon, Grohe 29082000 | Start Edge Single-Lever Shower Mixer, posted Apr. 18, 2014, [online], [visited Mar. 23, 2022]. Internet, <URL: <https://www.amazon.co.uk/GROHE-29082000-Start-Single-Lever-Shower/dp/B00KQLXIVQ/ref>> (Year: 2014).*

Amazon, Tearel Chateau Collection Escutcheon Replacement for Moen 16090, posted Oct. 6, 2021, [online], [visited Mar. 23, 2022]. Internet, <URL: <https://www.amazon.co.uk/Chateau-Collection-Escutcheon-Replacement-One-Handle/dp/B09HT7GCTK/ref>> (Year: 2021).*

Amazon, Delta Faucet RP34354SS Victorian Escutcheon for Delta 17 series, posted May 19, 2014, [online], [visited Mar. 23, 2022]. Internet, <URL: <https://www.amazon.co.uk/Delta-Faucet-Rp34354Ss-Victorian-Escutcheon/dp/B000F698SE/ref>> (Year: 2014).*

* cited by examiner

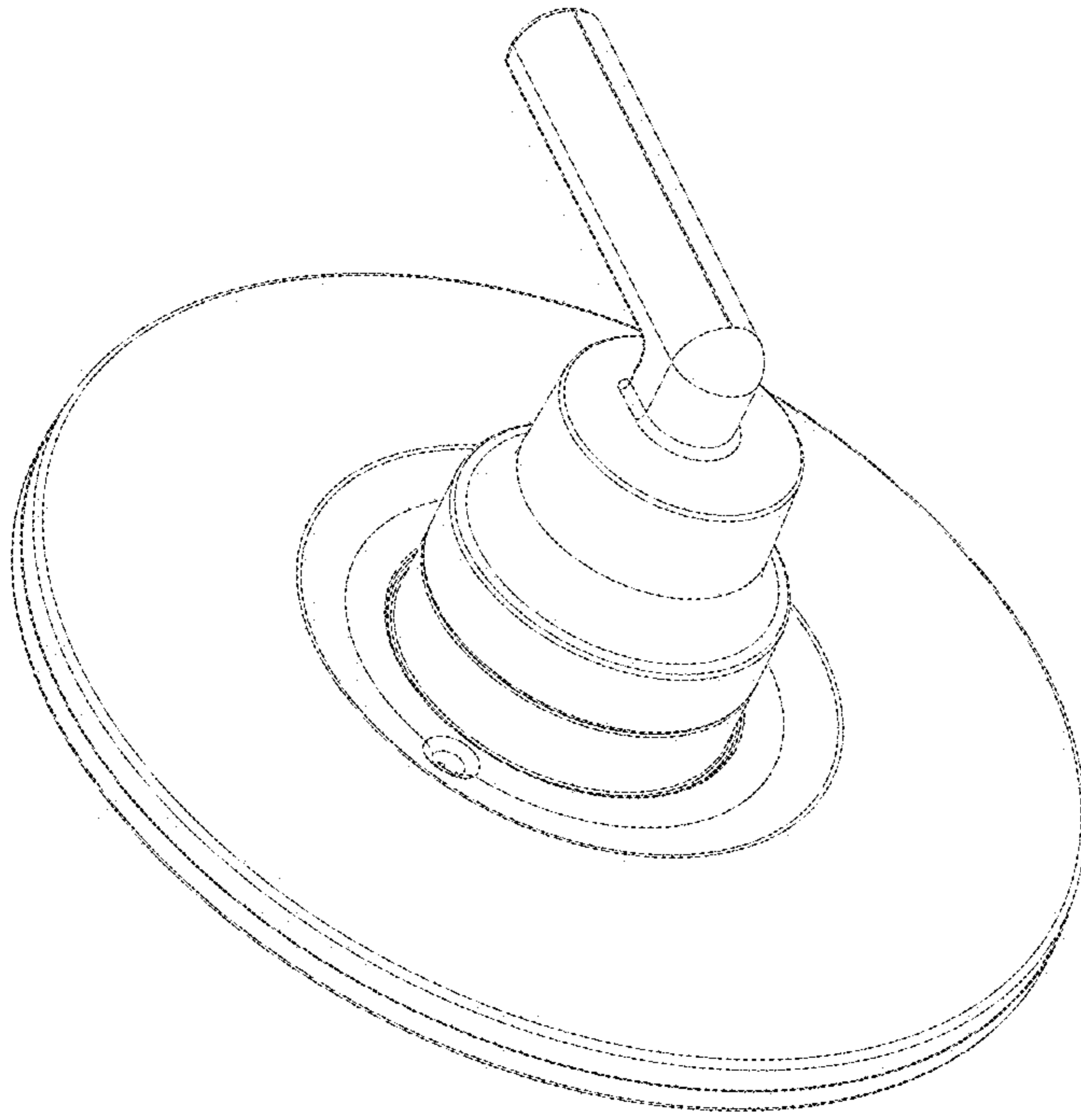


FIG-2

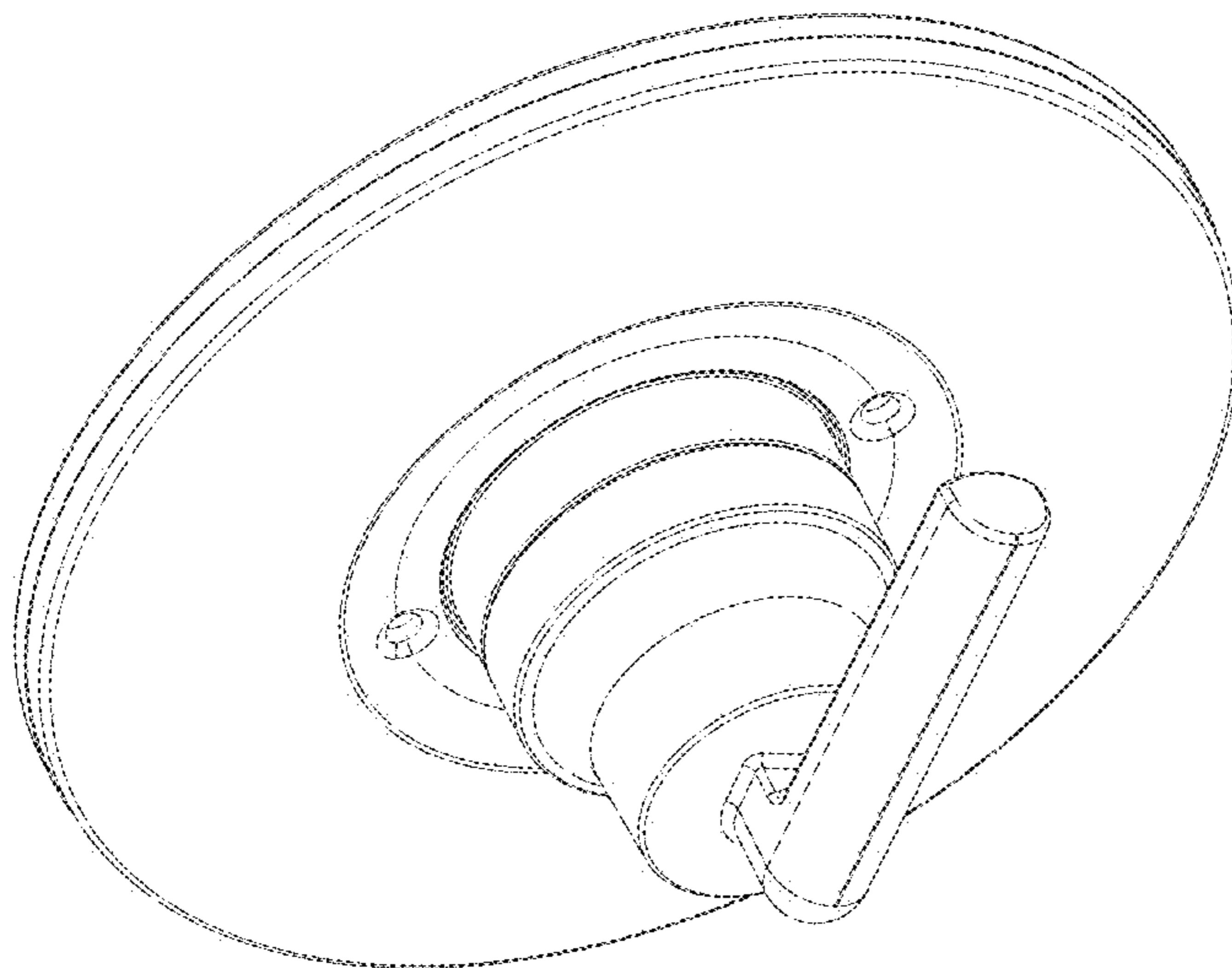


FIG-1

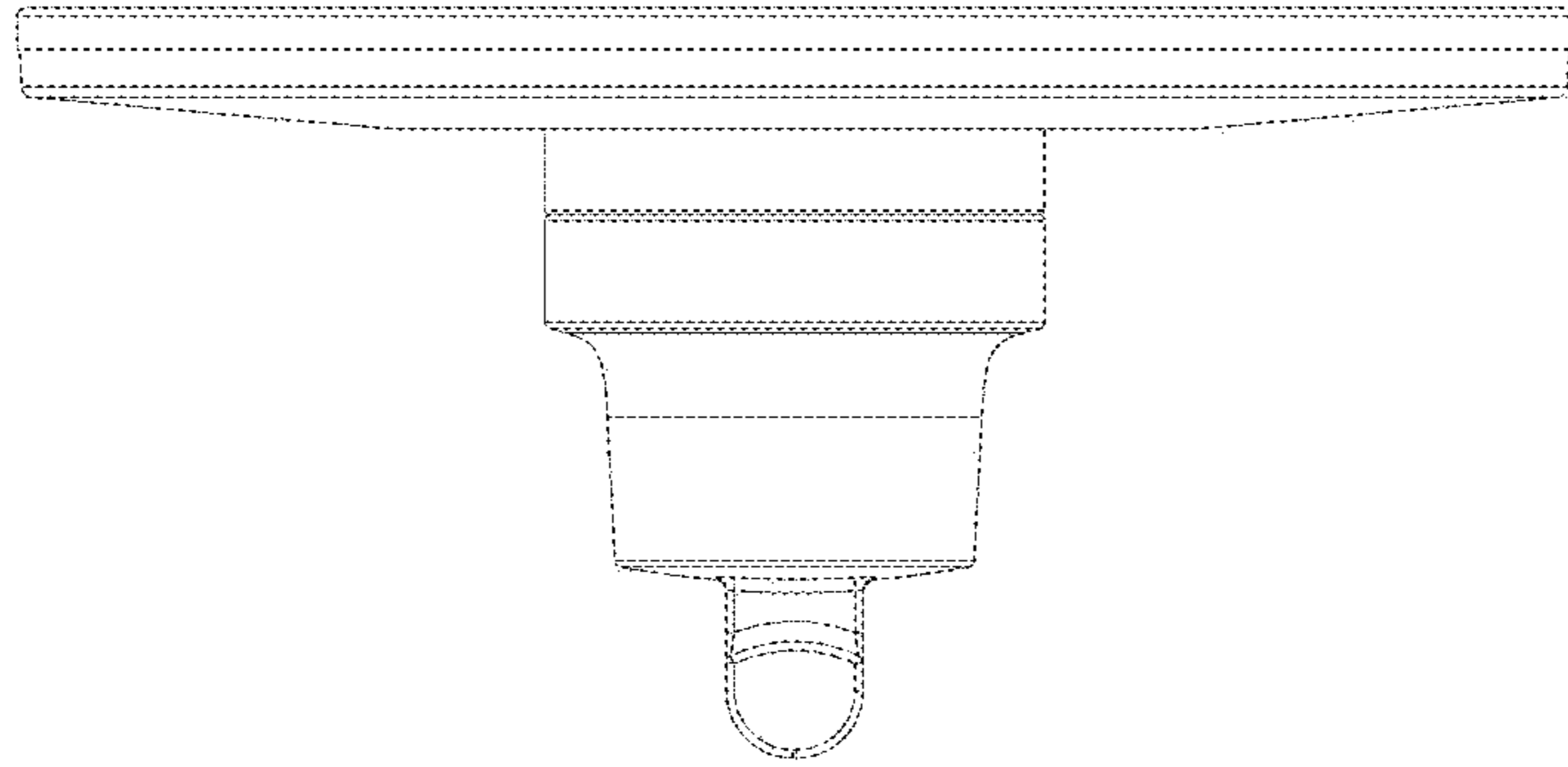


FIG - 4

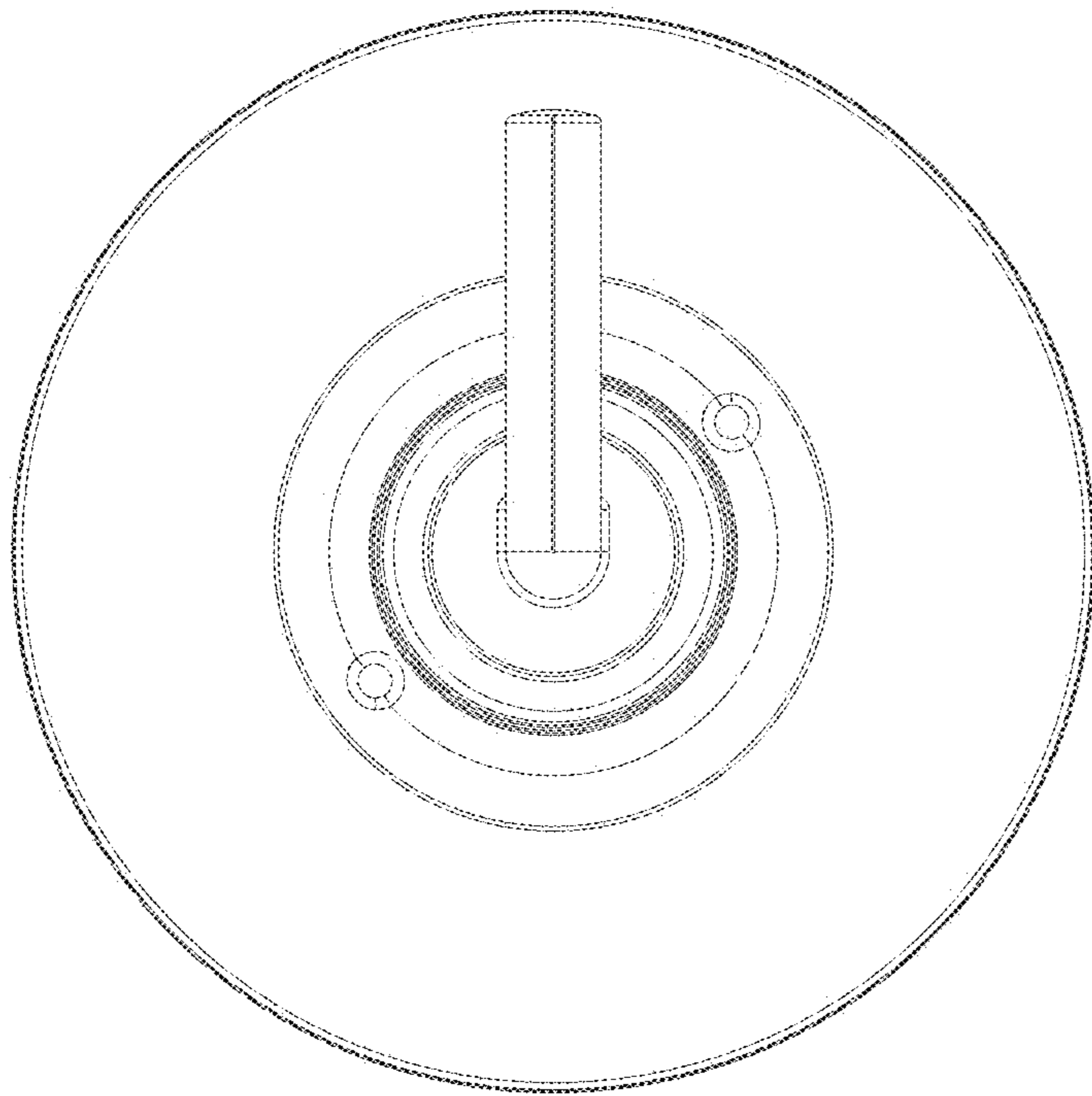


FIG - 3

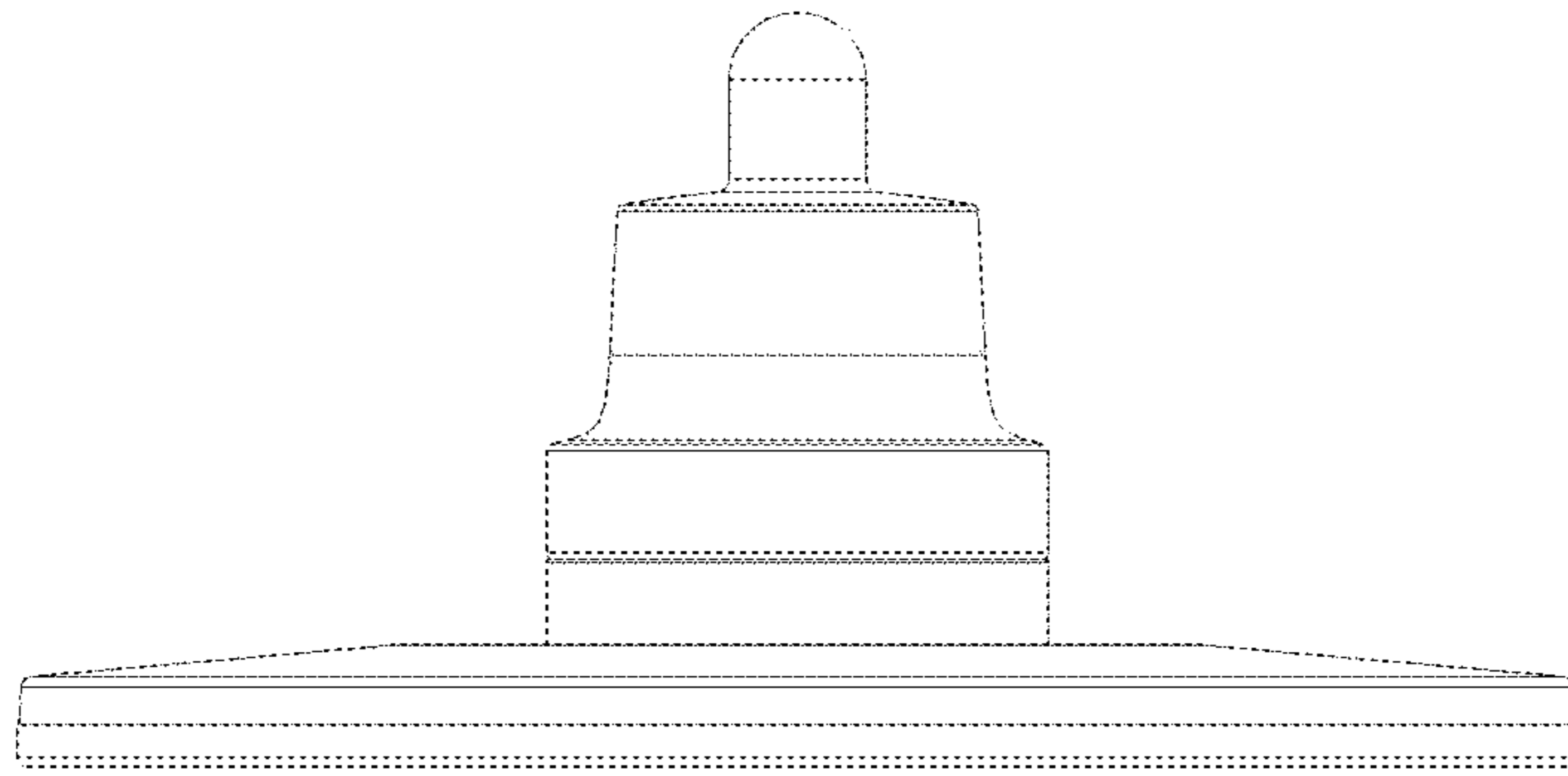


FIG-6

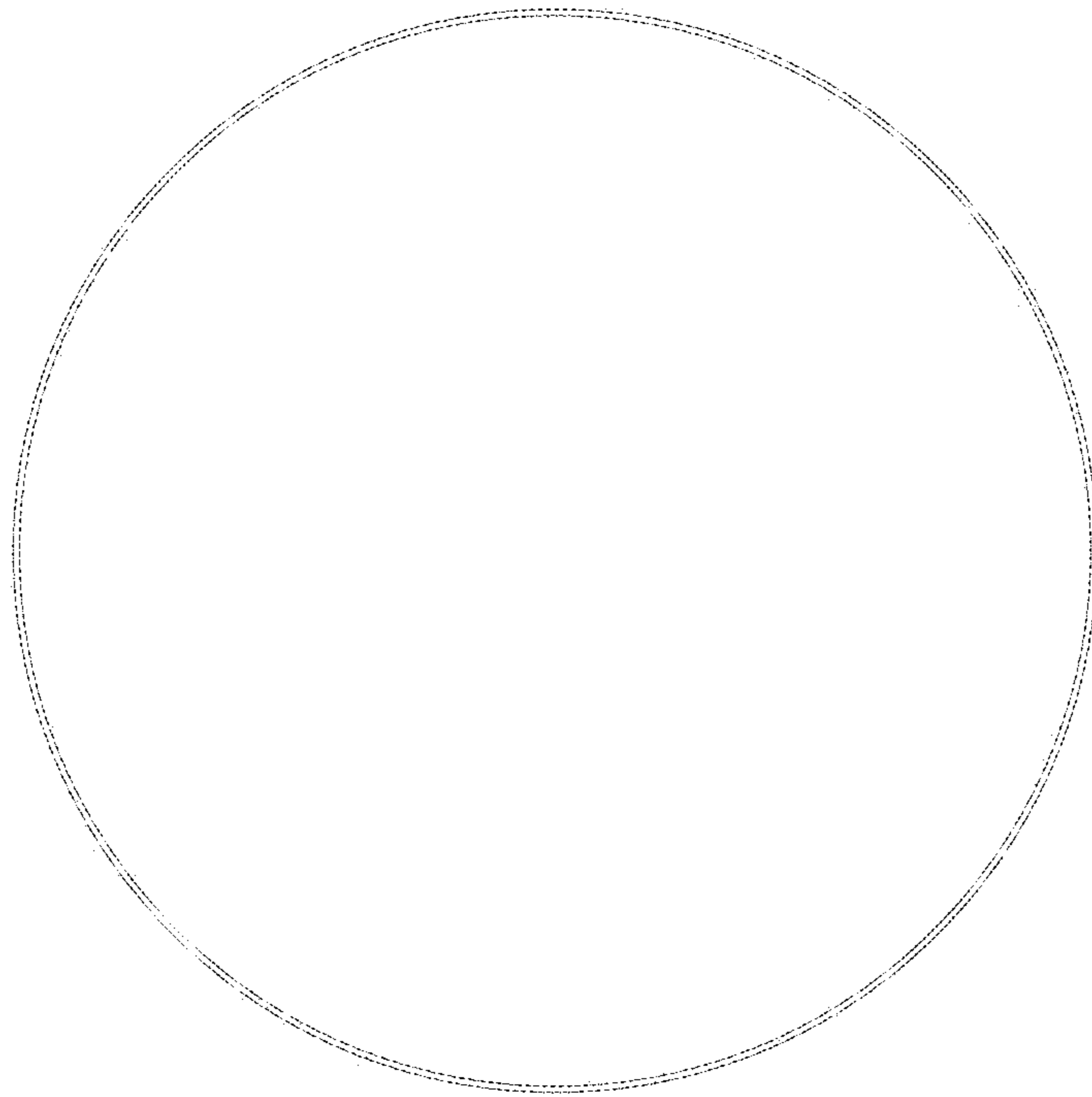


FIG-5

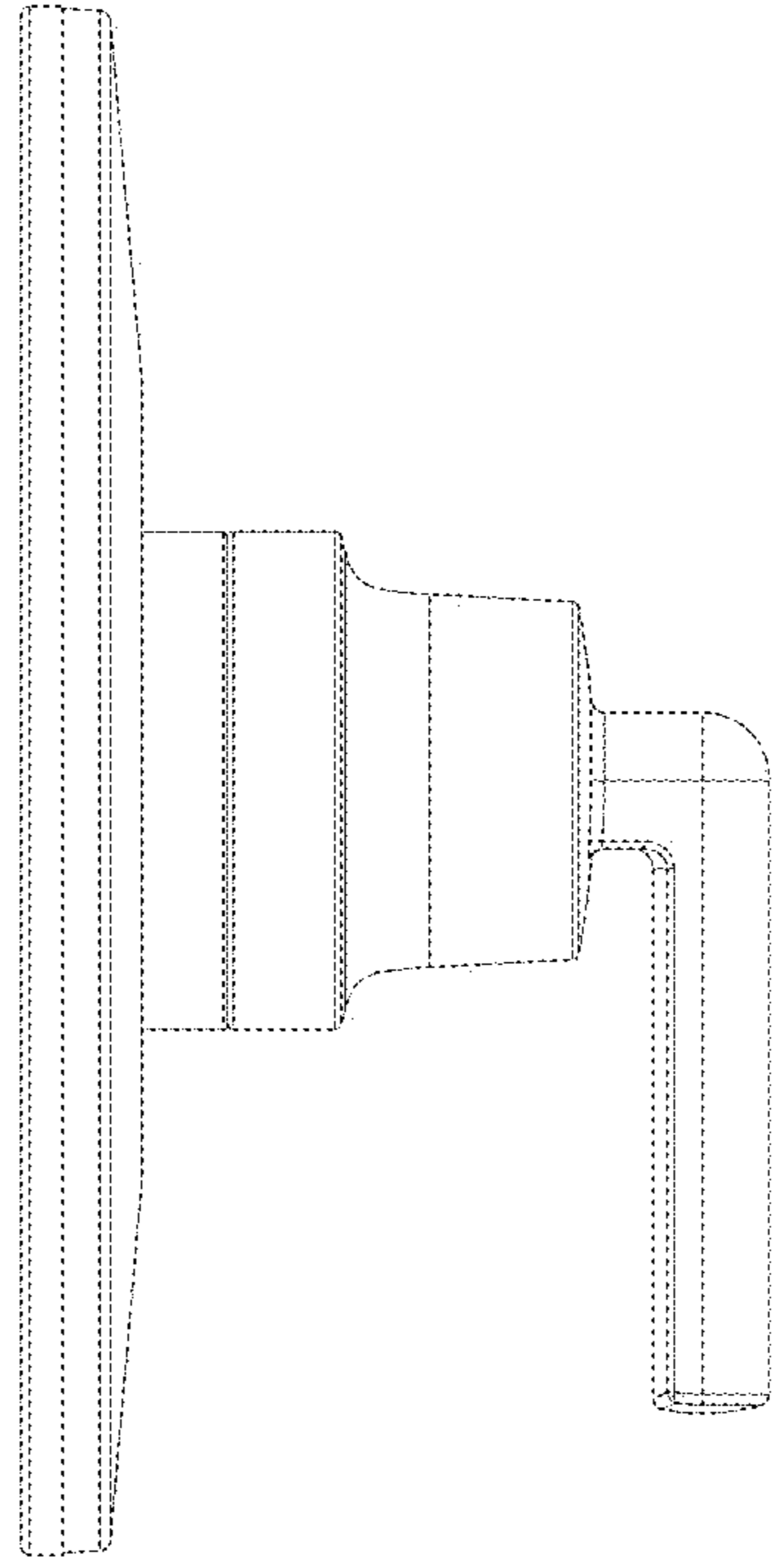


FIG-8

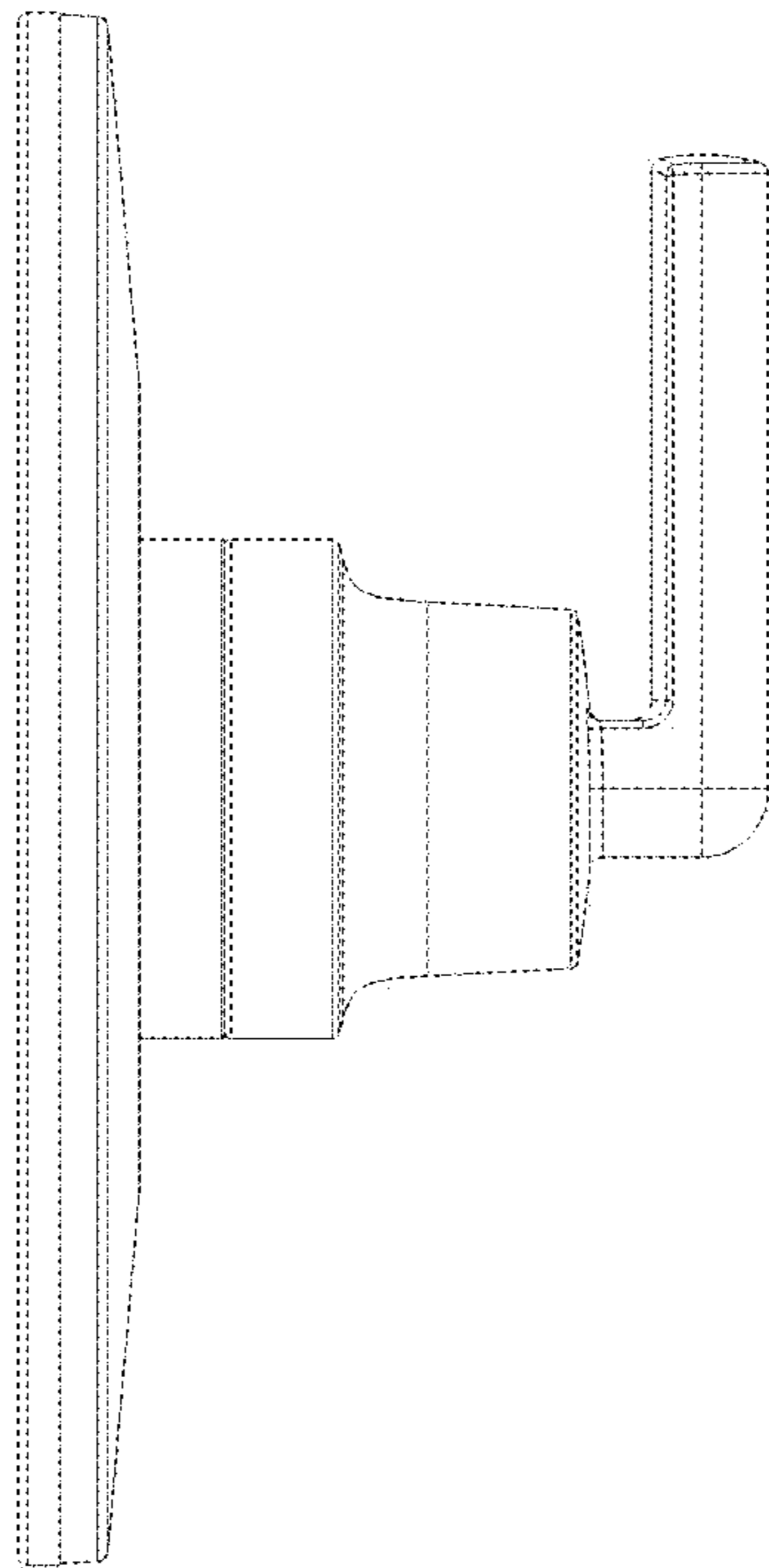


FIG-7