



US00D958299S

(12) **United States Design Patent** (10) **Patent No.:** **US D958,299 S**
Parsons (45) **Date of Patent:** **** Jul. 19, 2022**

(54) **FAUCET**
(71) Applicant: **DELTA FAUCET COMPANY,**
Indianapolis, IN (US)
(72) Inventor: **Sam Parsons,** Glenview, IL (US)
(73) Assignee: **DELTA FAUCET COMPANY,**
Indianapolis, IN (US)

D737,941 S * 9/2015 Eads D23/255
D757,222 S * 5/2016 Eads D23/238
D757,912 S * 5/2016 Eads D23/255
D759,212 S * 6/2016 Eads D23/255
D762,821 S * 8/2016 Ingels D23/242
D822,797 S * 7/2018 Spangler D23/255
D845,444 S * 4/2019 Eads D23/255
D846,082 S * 4/2019 Eads D23/255
D848,579 S * 5/2019 Garland D23/255

(Continued)

(**) Term: **15 Years**

FOREIGN PATENT DOCUMENTS

(21) Appl. No.: **29/766,242**

CA 2726306 A1 * 12/2009 E03C 1/04
CN 201630598935 * 12/2016

(22) Filed: **Jan. 14, 2021**

(51) **LOC (13) Cl.** **23-01**

(52) **U.S. Cl.**

USPC **D23/242**

(58) **Field of Classification Search**

USPC D23/238, 239, 240, 241, 242, 243, 246,
D23/247, 249, 250, 251, 252, 254, 255,
D23/256, 257

CPC E03C 1/00; E03C 1/01; E03C 1/02; E03C
1/023; E03C 1/04; E03C 1/0401; E03C
1/0403; E03C 1/0404; E03C 1/0412;
E03C 1/05; E03C 1/042; F16K 31/60

See application file for complete search history.

(56) **References Cited**

U.S. PATENT DOCUMENTS

D511,201 S * 11/2005 Kulig D23/238
D534,252 S * 12/2006 Bouroullec D23/255
D538,401 S * 3/2007 Miyamoto D23/242
D591,833 S * 5/2009 Fritz D23/250
D591,835 S * 5/2009 Williams D23/252
D624,990 S * 10/2010 Joerger D23/242
D625,393 S * 10/2010 Sieger D23/242
D632,369 S * 2/2011 Kulig D23/252
D686,700 S * 7/2013 Sieger D23/242
D687,523 S * 8/2013 Garland D23/257
D692,105 S * 10/2013 Garland D23/238
D692,109 S * 10/2013 Garland D23/255

OTHER PUBLICATIONS

Youtube, Grohe unveil duo of 3D-printed metal taps, posted Mar.
14, 2019, [online], [visited Mar. 26, 2022], Internet, <URL: https://
www.youtube.com/watch?v=2HIJ7grJZ7w> (Year: 2019).*

(Continued)

Primary Examiner — Samantha Wood
(74) *Attorney, Agent, or Firm* — Nirav D. Parikh; Edgar
A. Zarins

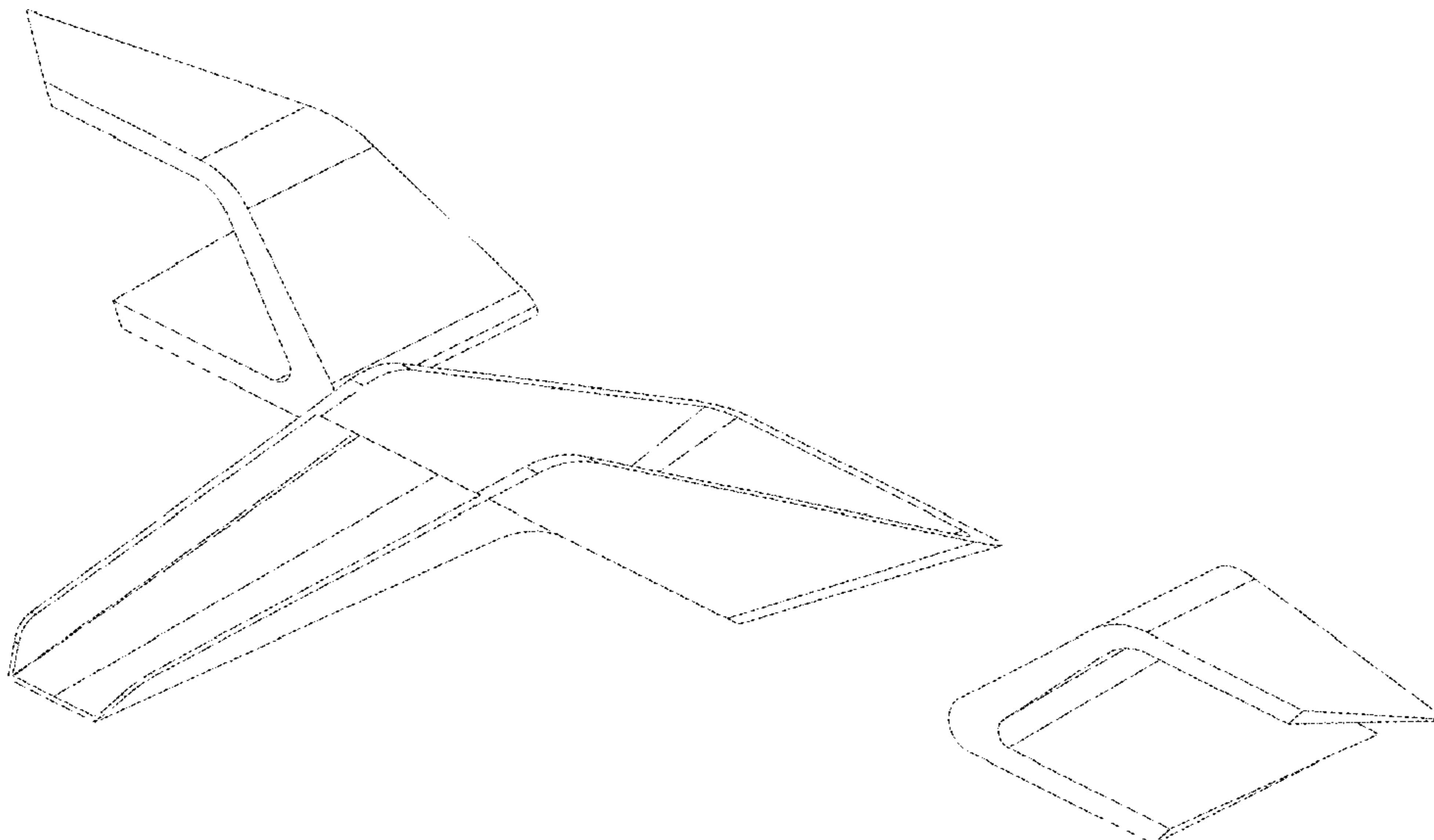
(57) **CLAIM**

The ornamental design for a faucet, as shown and described.

DESCRIPTION

FIG. 1 is a front perspective view of a faucet showing my
new design;
FIG. 2 is a rear perspective view thereof;
FIG. 3 is a front elevational view thereof;
FIG. 4 is a left side view thereof;
FIG. 5 is a rear view thereof;
FIG. 6 is a right side view thereof;
FIG. 7 is a top plan view thereof; and,
FIG. 8 is a bottom view thereof.

1 Claim, 4 Drawing Sheets



(56)

References Cited

U.S. PATENT DOCUMENTS

D852,326 S * 6/2019 McKeone D23/242
 D855,780 S * 8/2019 McKeone D23/255
 D858,716 S * 9/2019 Eads D23/252
 D861,136 S * 9/2019 Diefenbach D23/242
 D862,655 S * 10/2019 Garland D23/242
 D868,942 S * 12/2019 Eads D23/250
 D870,243 S * 12/2019 Eads D23/250
 D883,438 S * 5/2020 Kuang D23/238
 D893,681 S * 8/2020 McKeone D23/257
 D897,825 S * 10/2020 Eads D8/367
 D898,166 S * 10/2020 Eads D23/255
 D912,215 S * 3/2021 Kuang D23/242
 D914,159 S * 3/2021 Takahashi D23/250
 D921,849 S * 6/2021 Seum D23/255
 D923,754 S * 6/2021 Seum D23/255
 D928,924 S * 8/2021 Mamaril D23/257
 D933,170 S * 10/2021 Para D23/255
 11,214,947 B2 * 1/2022 Rosko E03C 1/0404

D944,365 S * 2/2022 Lazarini D23/242
 D945,823 S * 3/2022 Liaw D7/398
 2009/0145492 A1 * 6/2009 Thomas E03C 1/04
 137/355.23

OTHER PUBLICATIONS

Youtube, 3D Supernova—3D printed faucet, posted Sep. 23, 2019, [online], [visited Mar. 26, 2022], Internet, <URL: <https://www.youtube.com/watch?v=ykOLfS4B1hc>> (Year: 2019).*

Amazon, Shower set Basin Mixer Tap Three Hole Widespread, posted Nov. 8, 2020, [online], [visited Mar. 26, 2022], Internet, <URL: <https://www.amazon.co.uk/Shower-Set-Widespread-Bathroom-Washbasin/dp/B08MYZPRTD/ref?th=1>> (Year: 2020).*

Amazon, Shower set Black Basin Mixer Tap Three Hole Widespread, posted Aug. 17, 2020, [online], [visited Mar. 26, 2022], Internet, <URL: <https://www.amazon.co.uk/Shower-Set-Widespread-Bathroom-Washbasin/dp/B08G1TV2VP/ref>> (Year: 2020).*

* cited by examiner

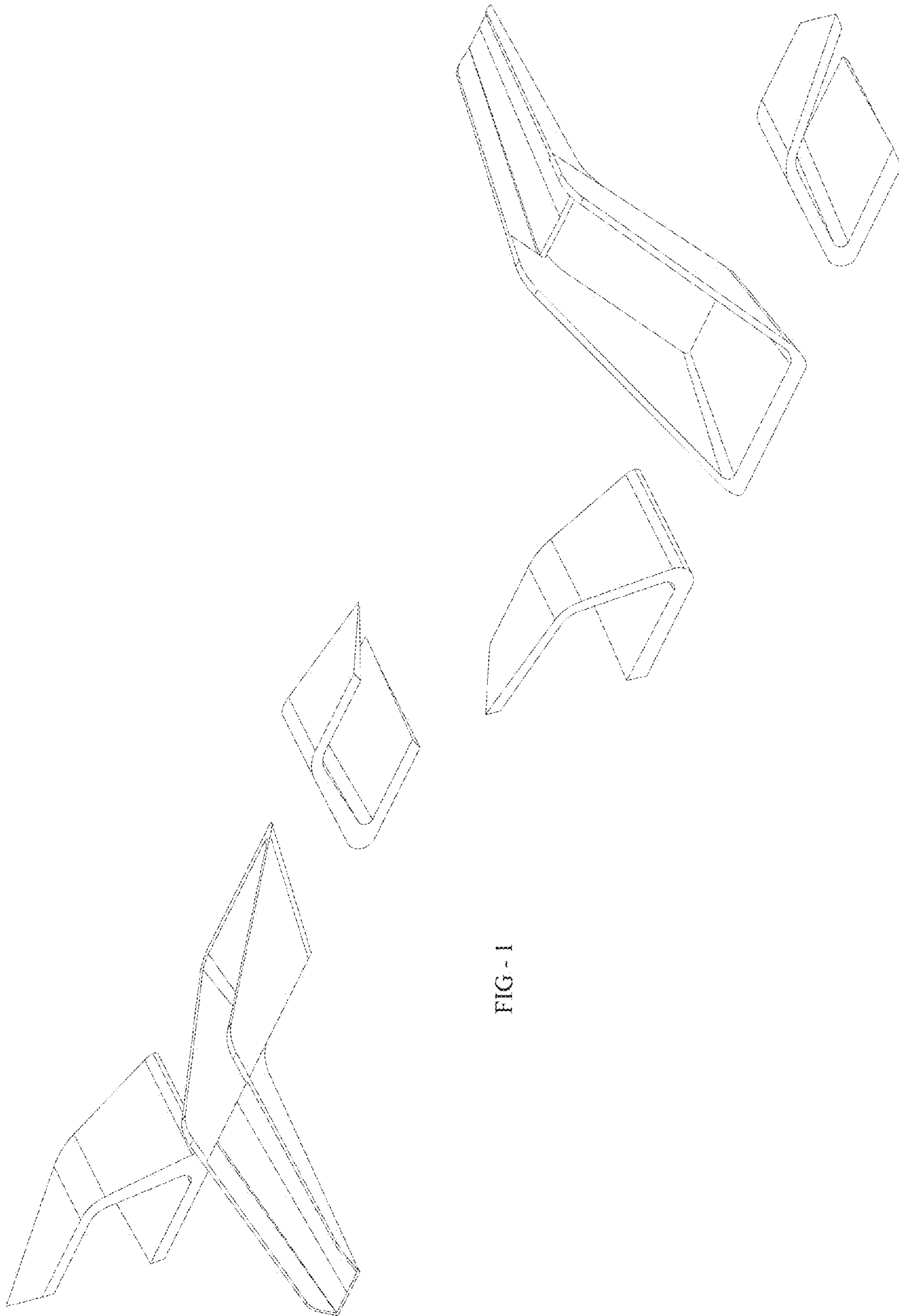


FIG - 1

FIG - 2

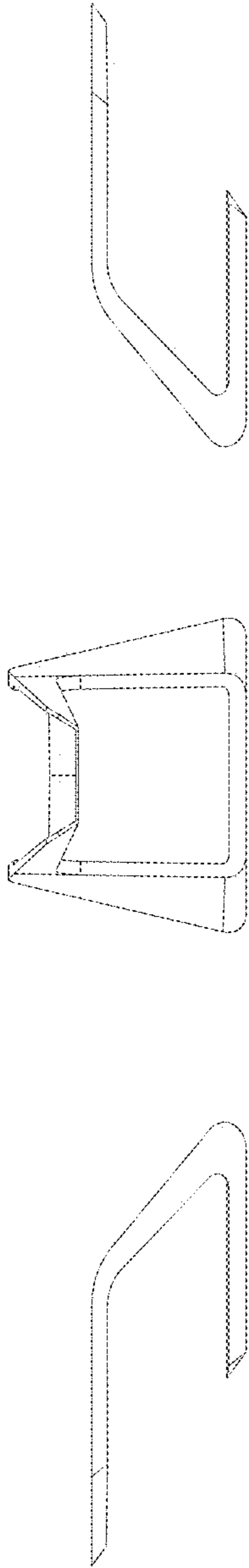


FIG - 3

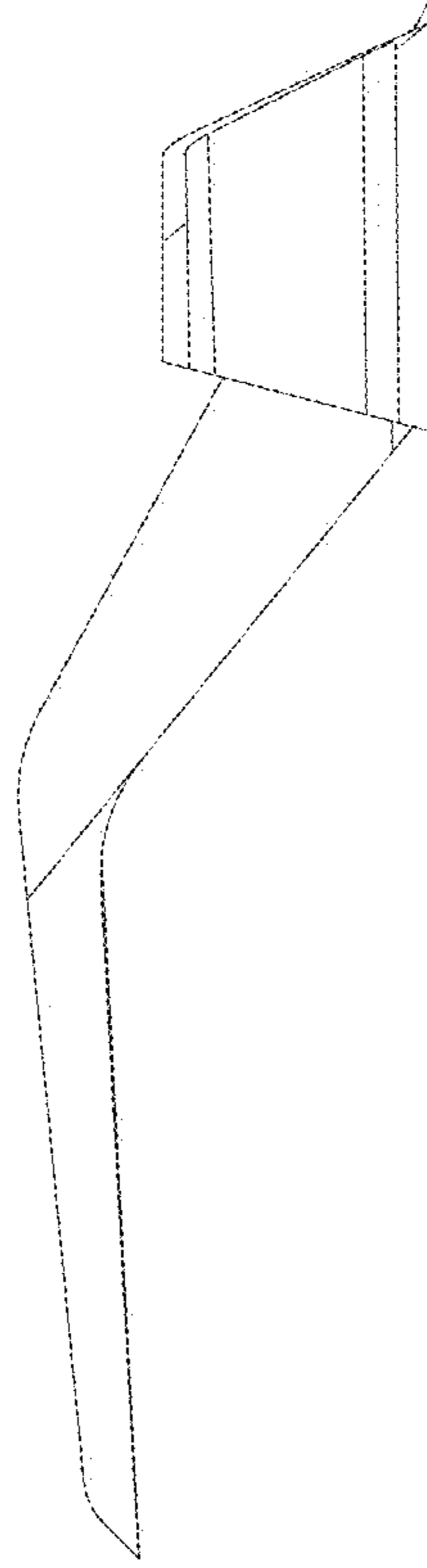


FIG - 4

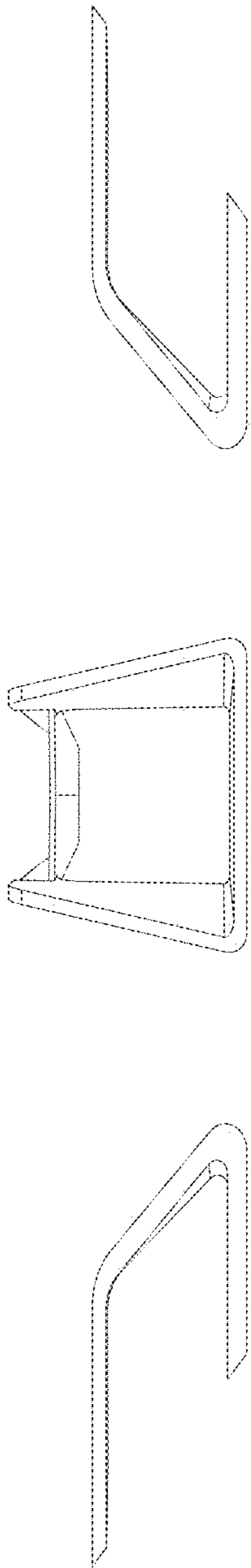


FIG - 5

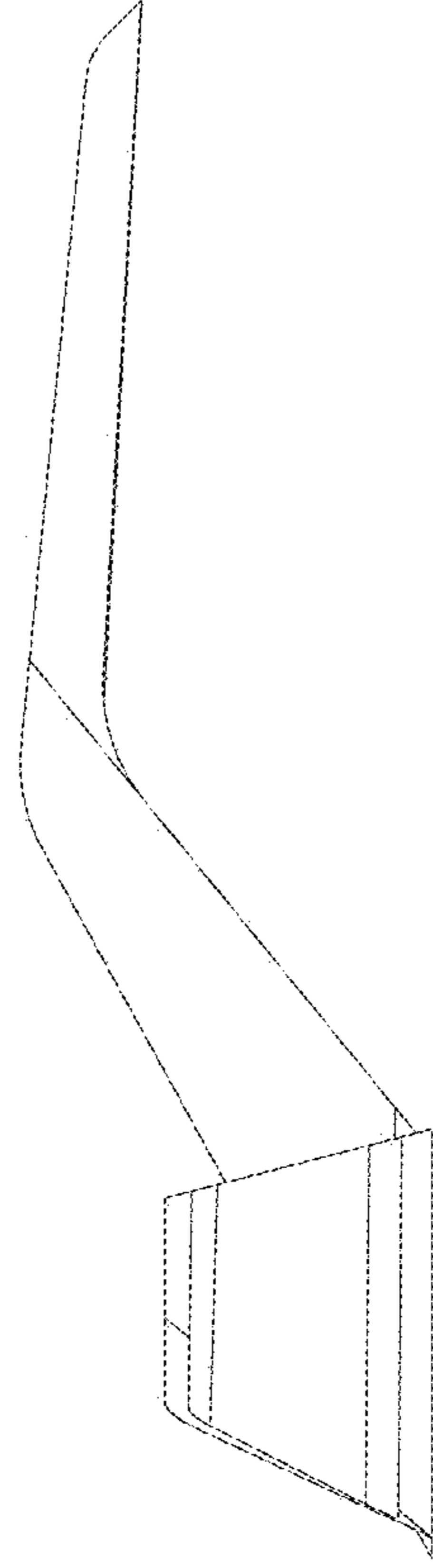


FIG - 6

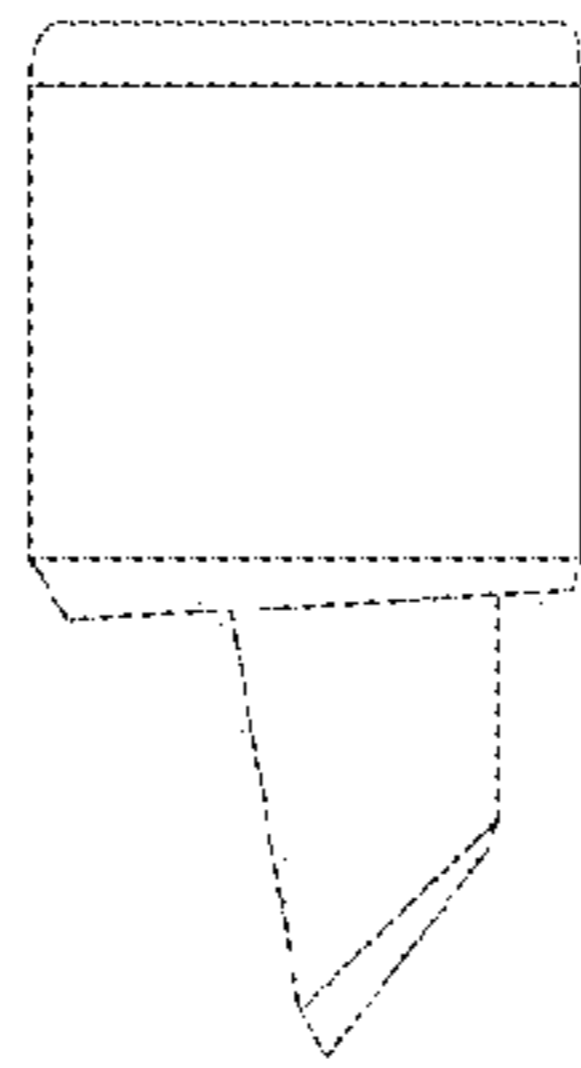
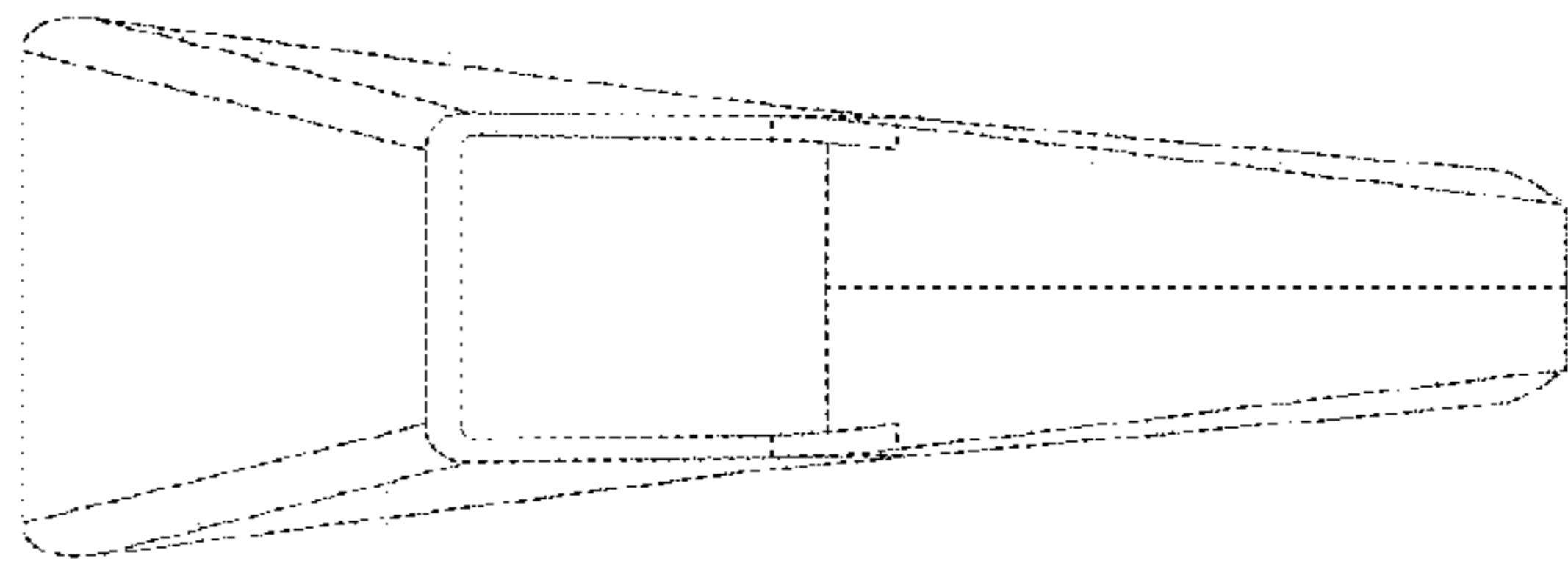
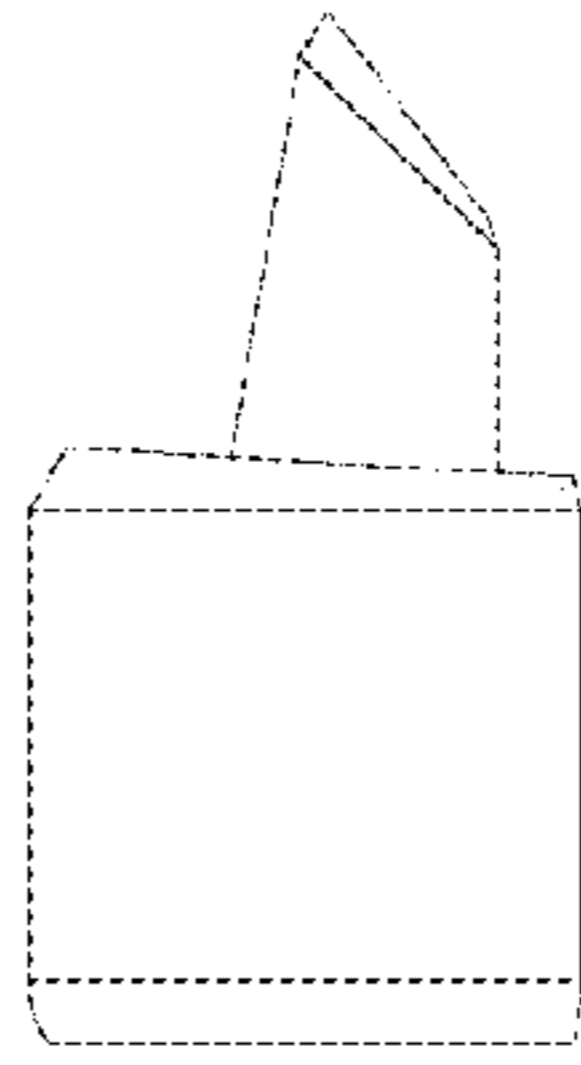
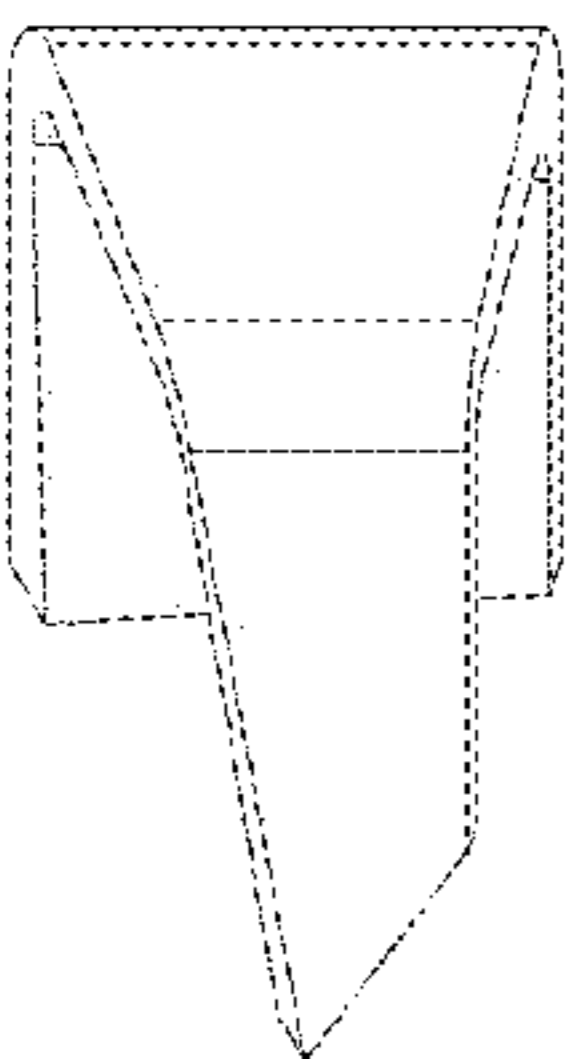
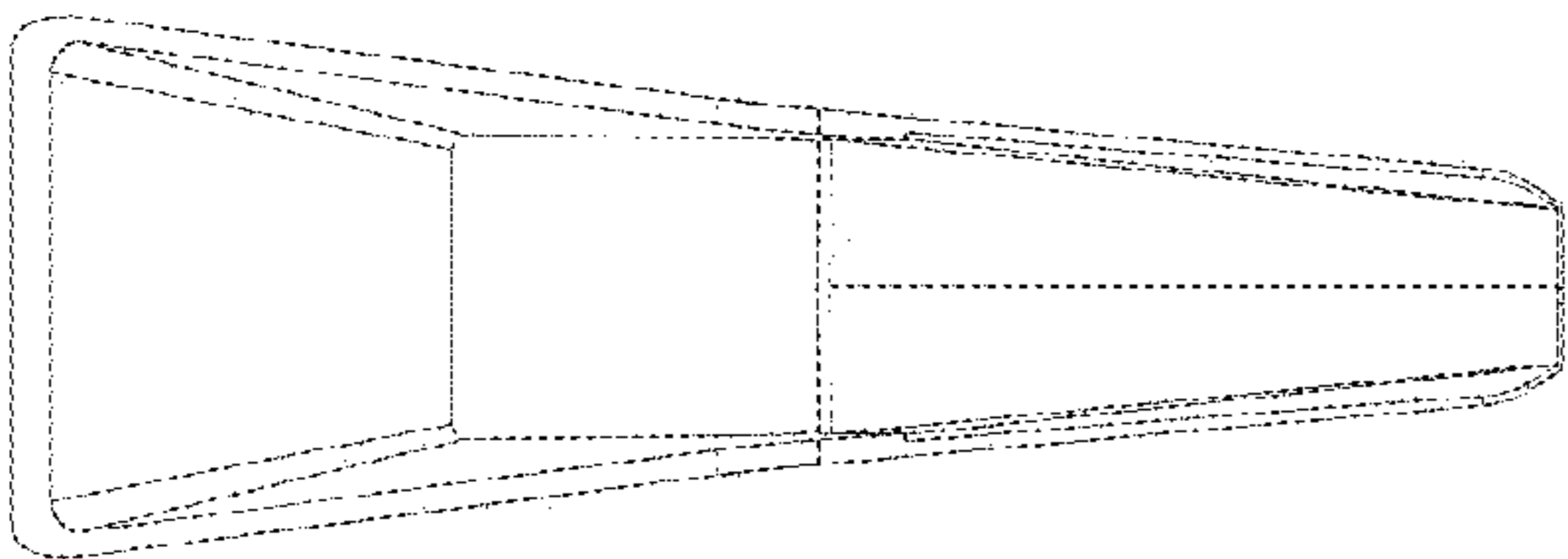
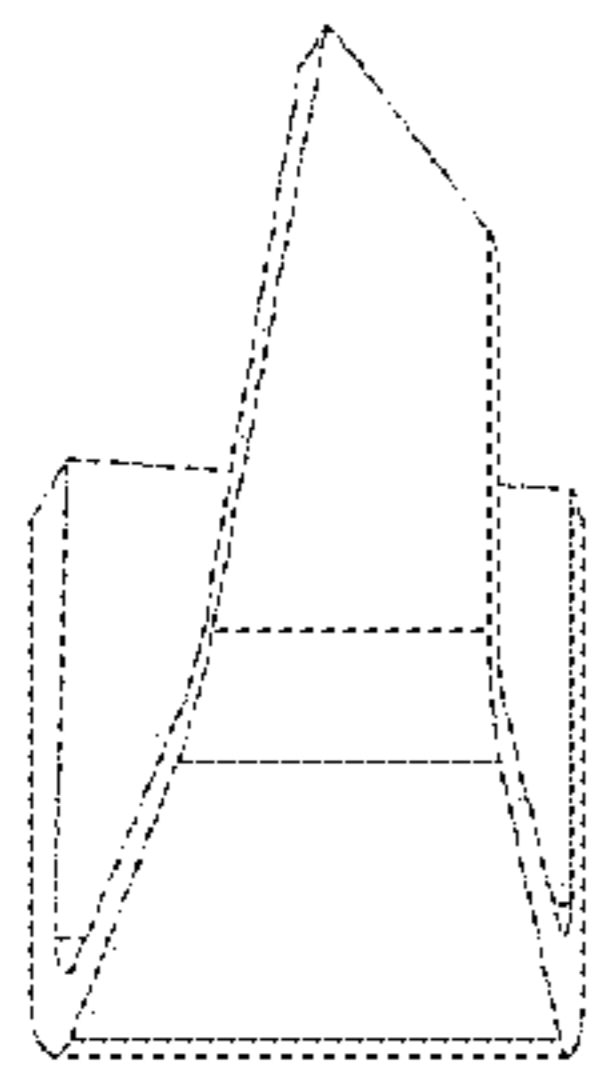


FIG - 7

FIG - 8