



US00D958297S

(12) **United States Design Patent**  
**Zeng**

(10) **Patent No.:** **US D958,297 S**

(45) **Date of Patent:** **\*\* Jul. 19, 2022**

(54) **FAUCET**

D914,848 S \* 3/2021 Eads ..... D23/242  
D938,553 S \* 12/2021 He ..... D23/242

(71) Applicant: **Foshan Shunde Yajiasi Kitchen Cabinet Co., Ltd., Foshan (CN)**

\* cited by examiner

(72) Inventor: **Deju Zeng, Foshan (CN)**

*Primary Examiner* — Robert A Delehanty  
(74) *Attorney, Agent, or Firm* — Novoclaims Patent Services LLC; Mei Lin Wong

(\*\*) Term: **15 Years**

(21) Appl. No.: **29/748,928**

(57) **CLAIM**

The ornamental design for a faucet, as shown and described.

(22) Filed: **Sep. 1, 2020**

**DESCRIPTION**

(51) **LOC (13) Cl.** ..... **23-01**

(52) **U.S. Cl.**

USPC ..... **D23/241**

(58) **Field of Classification Search**

USPC ..... D23/238–243, 249–250, 252, 254–255,  
D23/257; D8/307–308

See application file for complete search history.

FIG. 1 is a front perspective view of a faucet, showing my new design.

FIG. 2 is a rear perspective view thereof.

FIG. 3 is a front view thereof.

FIG. 4 is a rear view thereof.

FIG. 5 is a left side view thereof.

FIG. 6 is a right side view thereof.

FIG. 7 is a top view thereof; and,

FIG. 8 is a bottom view thereof.

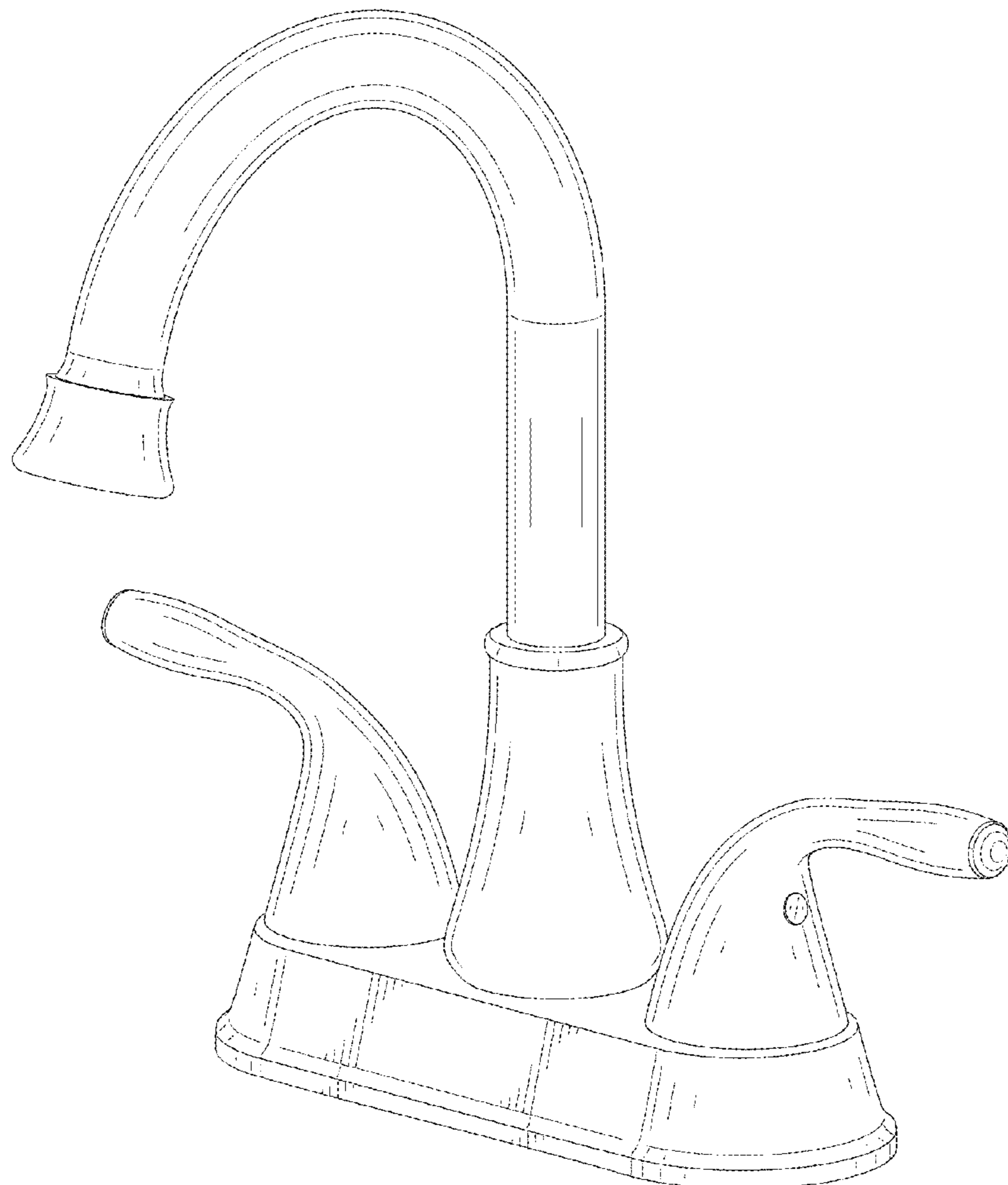
The broken lines in the drawings depict portions of the faucet and form no part of the claimed design.

(56) **References Cited**

**U.S. PATENT DOCUMENTS**

D406,876 S \* 3/1999 Ko ..... D23/241  
D475,125 S \* 5/2003 Marinov ..... D23/242

**1 Claim, 8 Drawing Sheets**



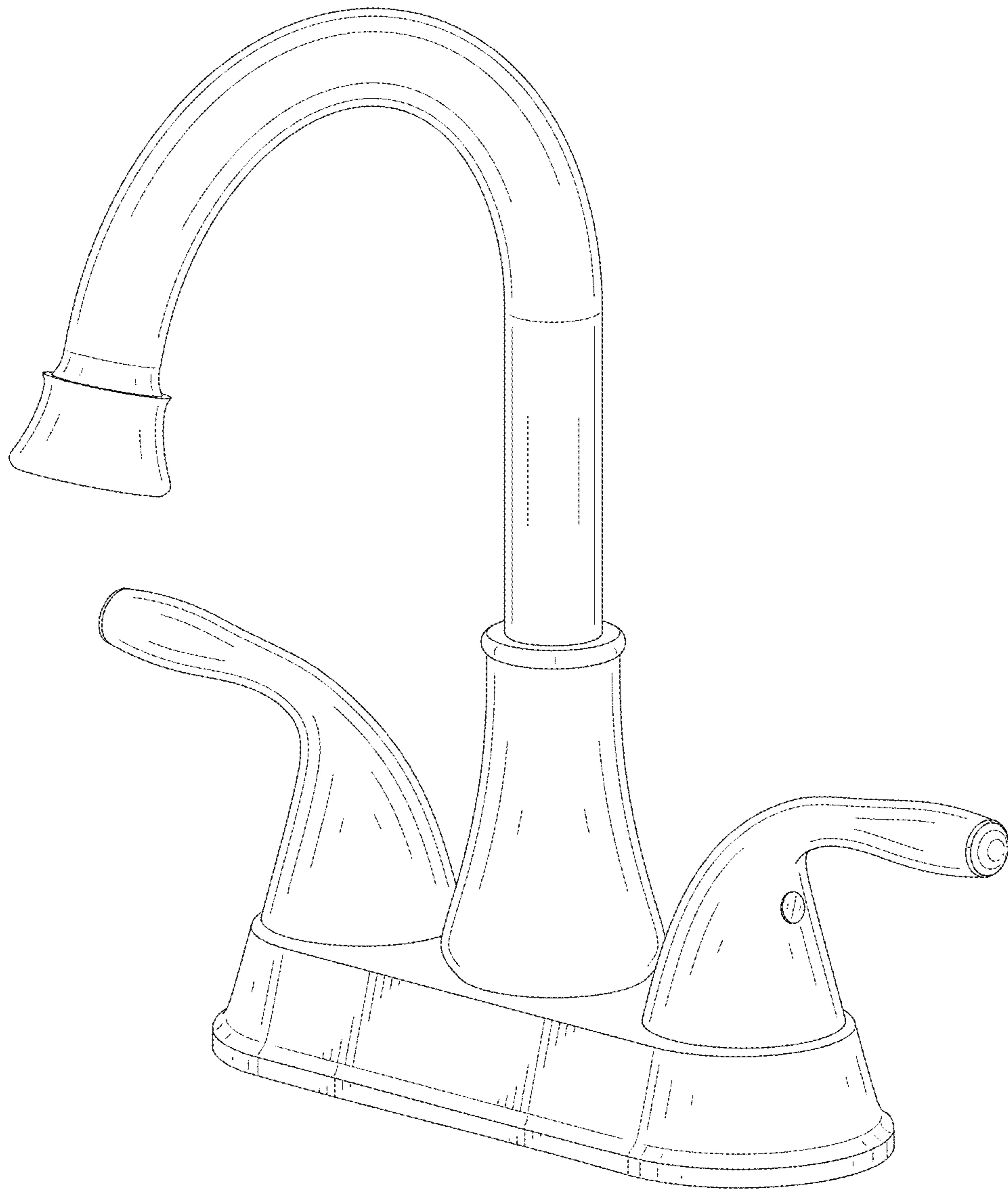


FIG. 1

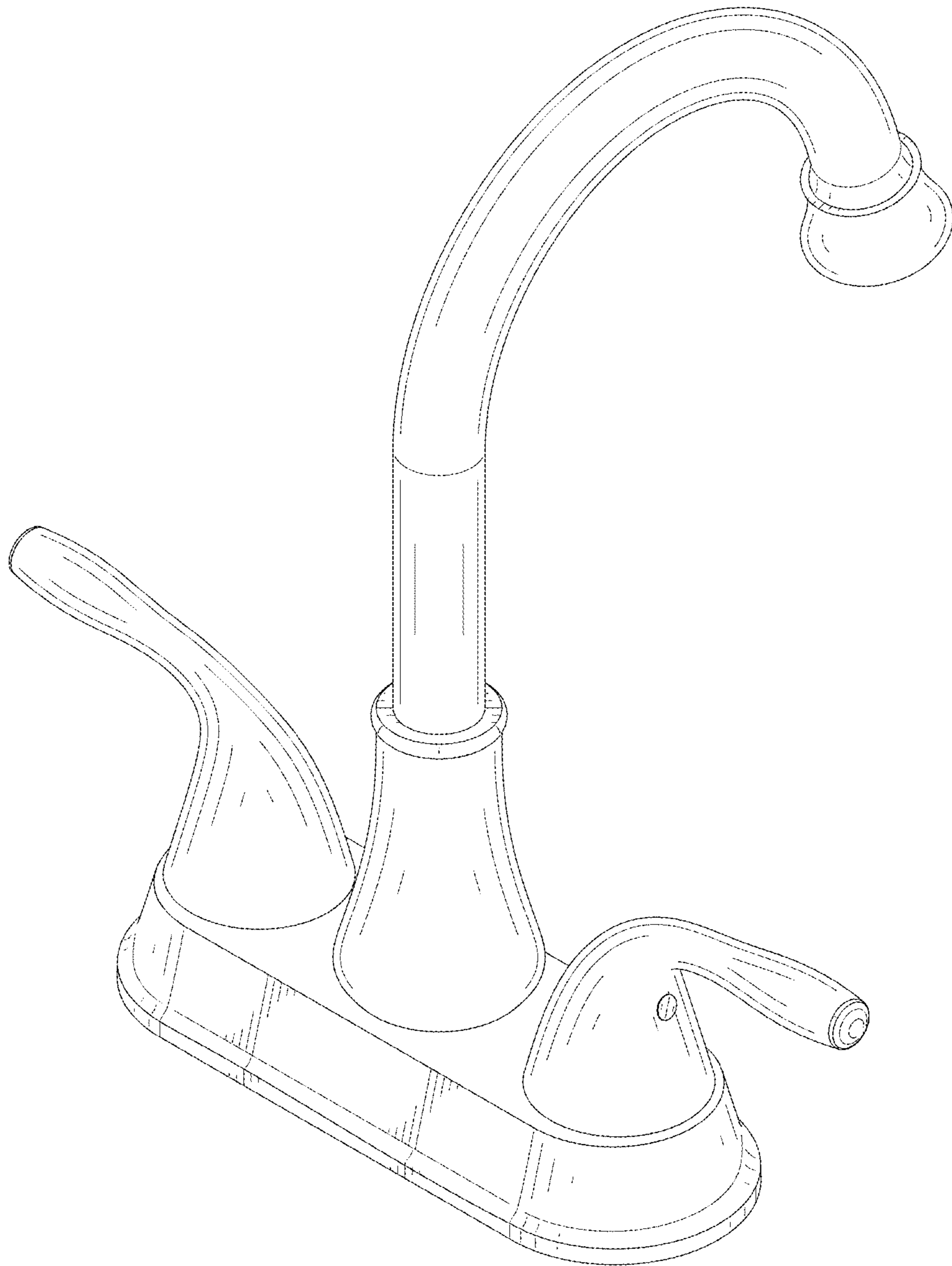


FIG.2

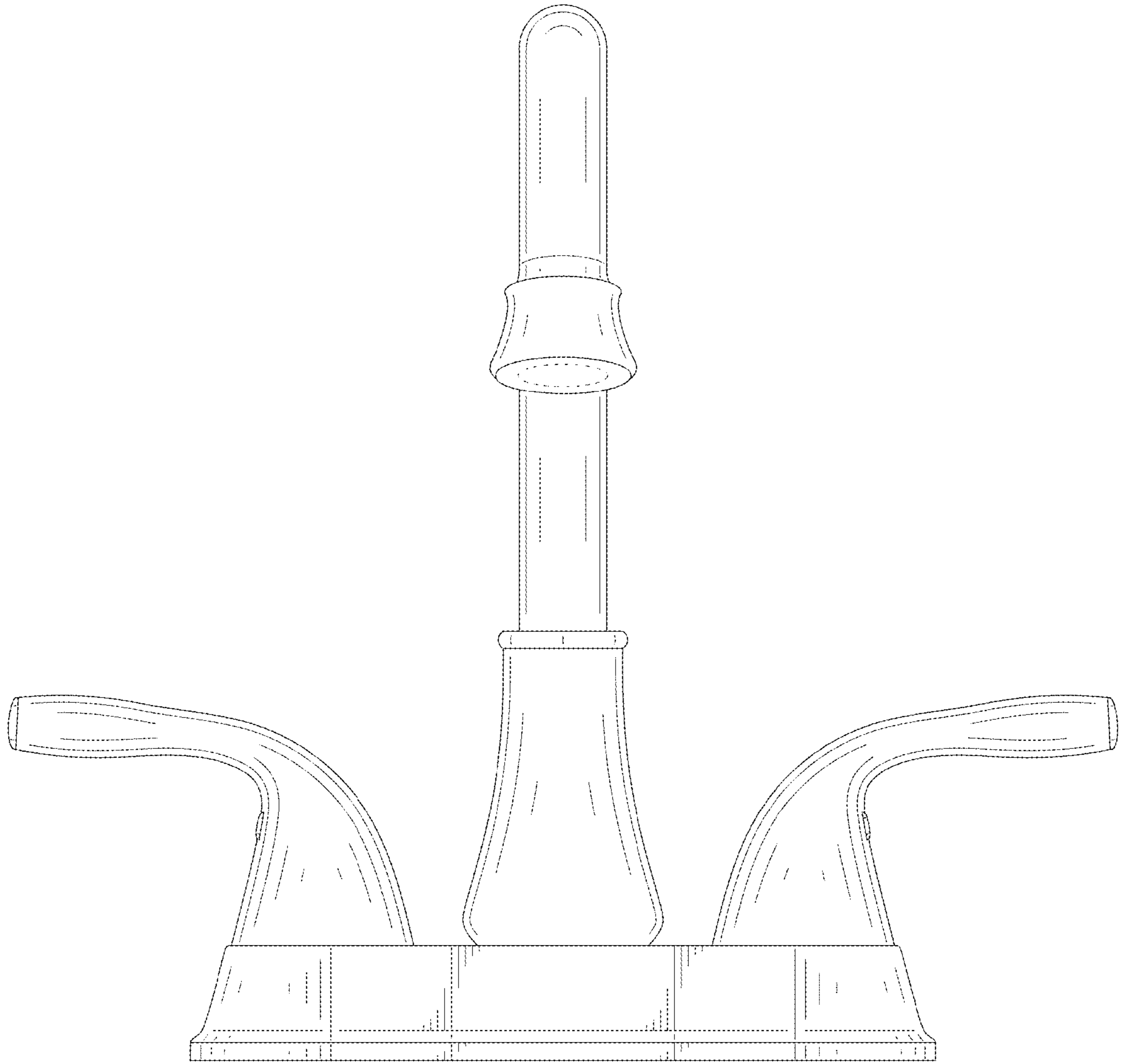


FIG.3

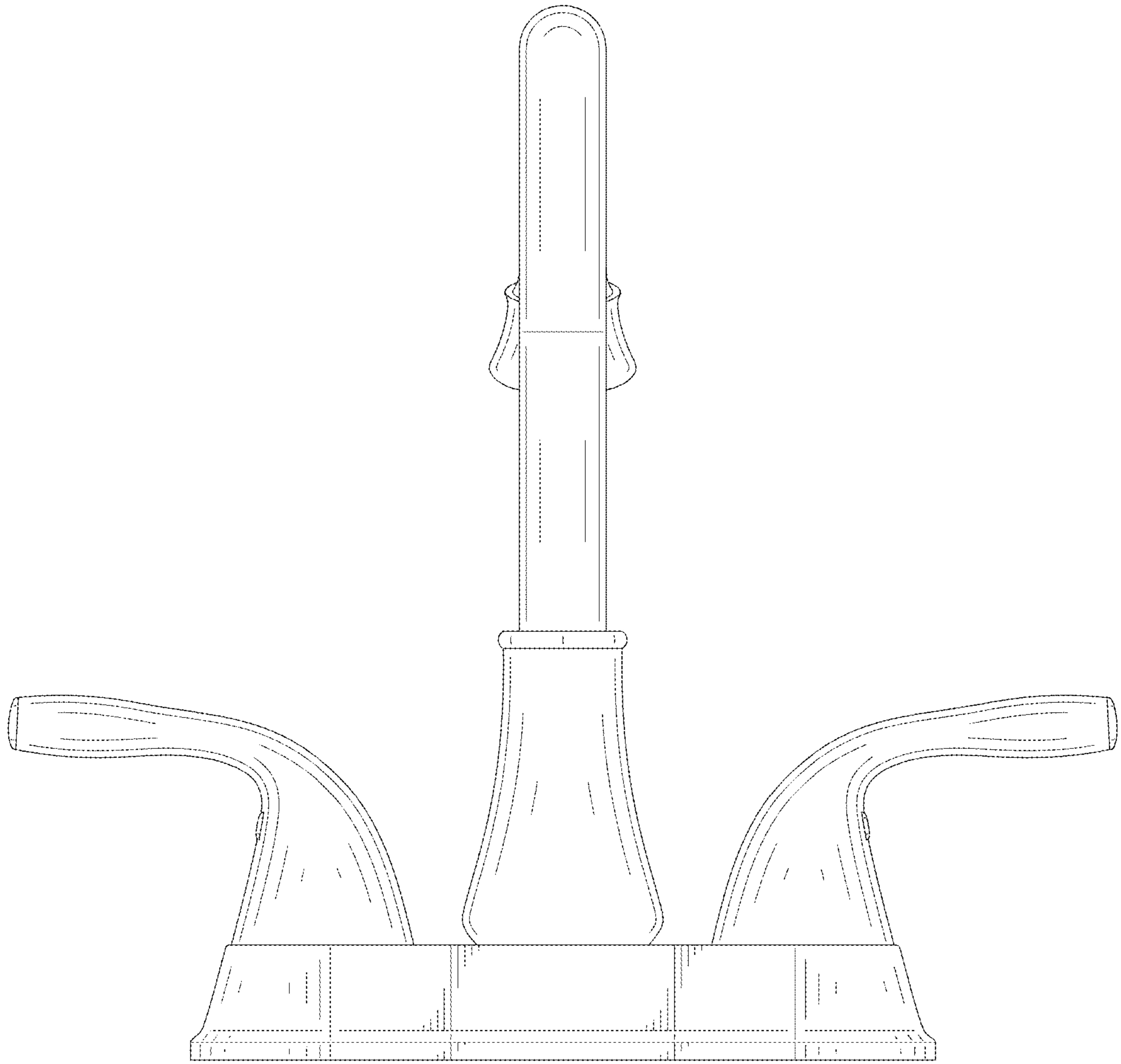


FIG.4

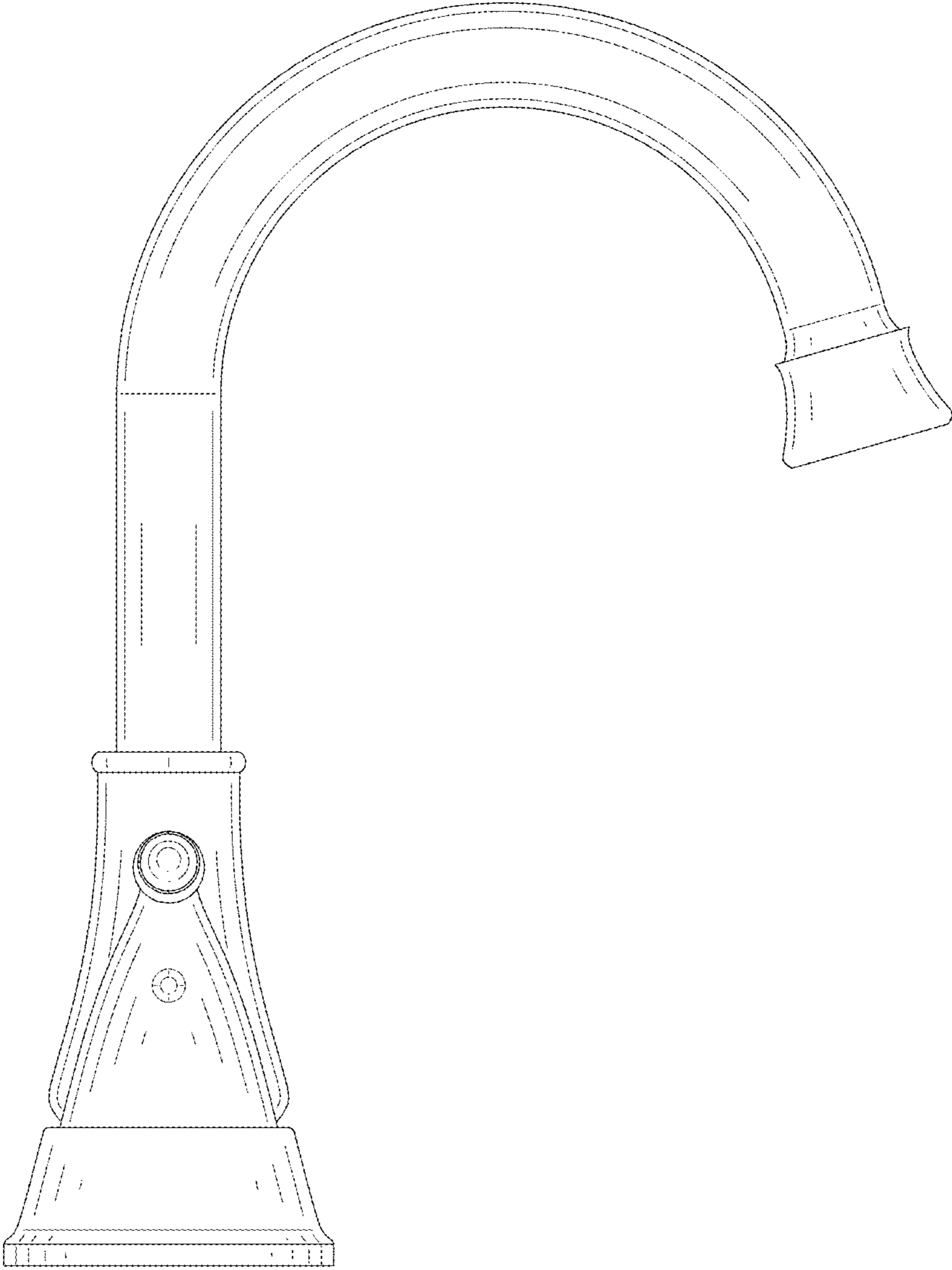


FIG.5

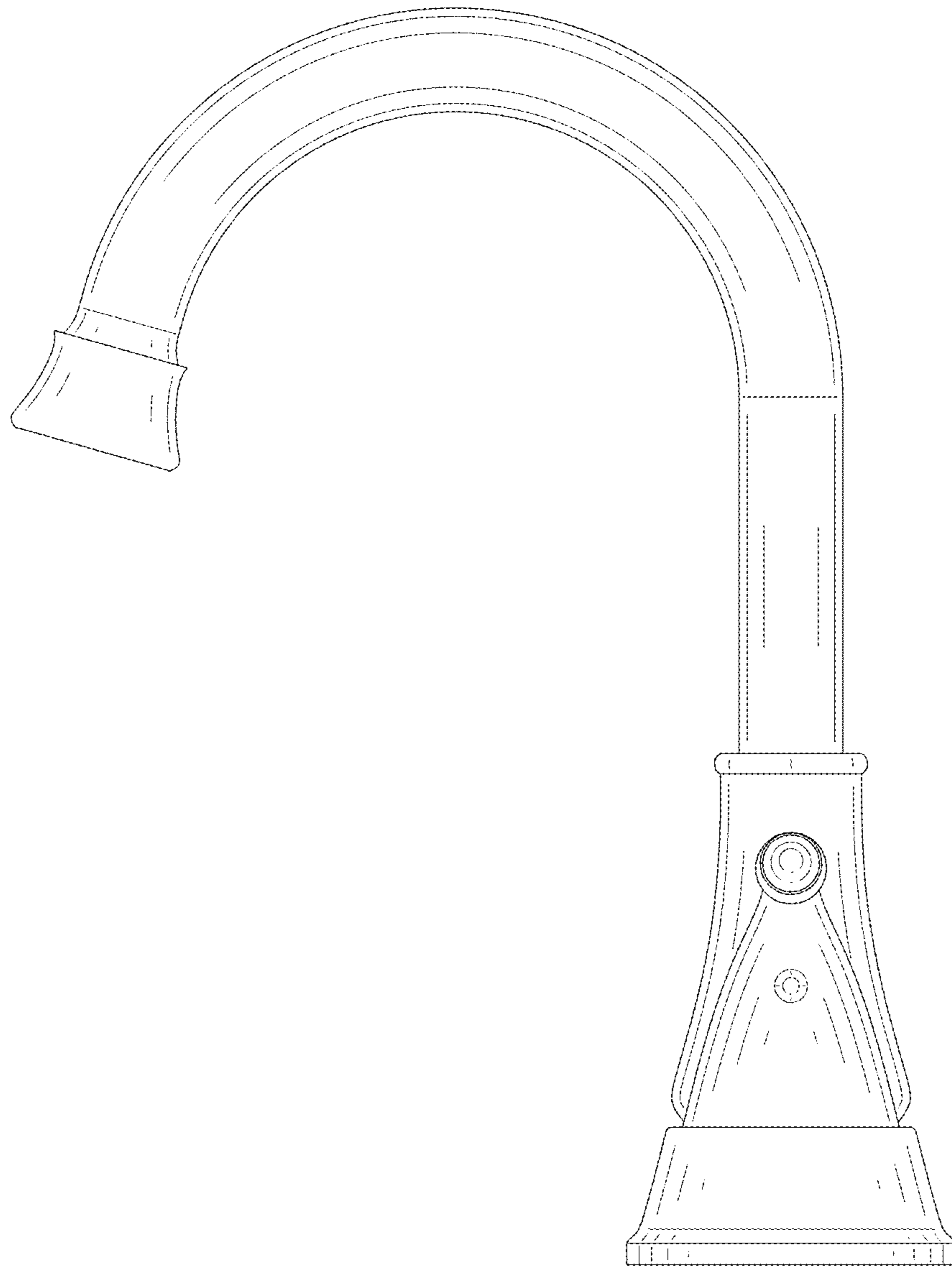


FIG. 6

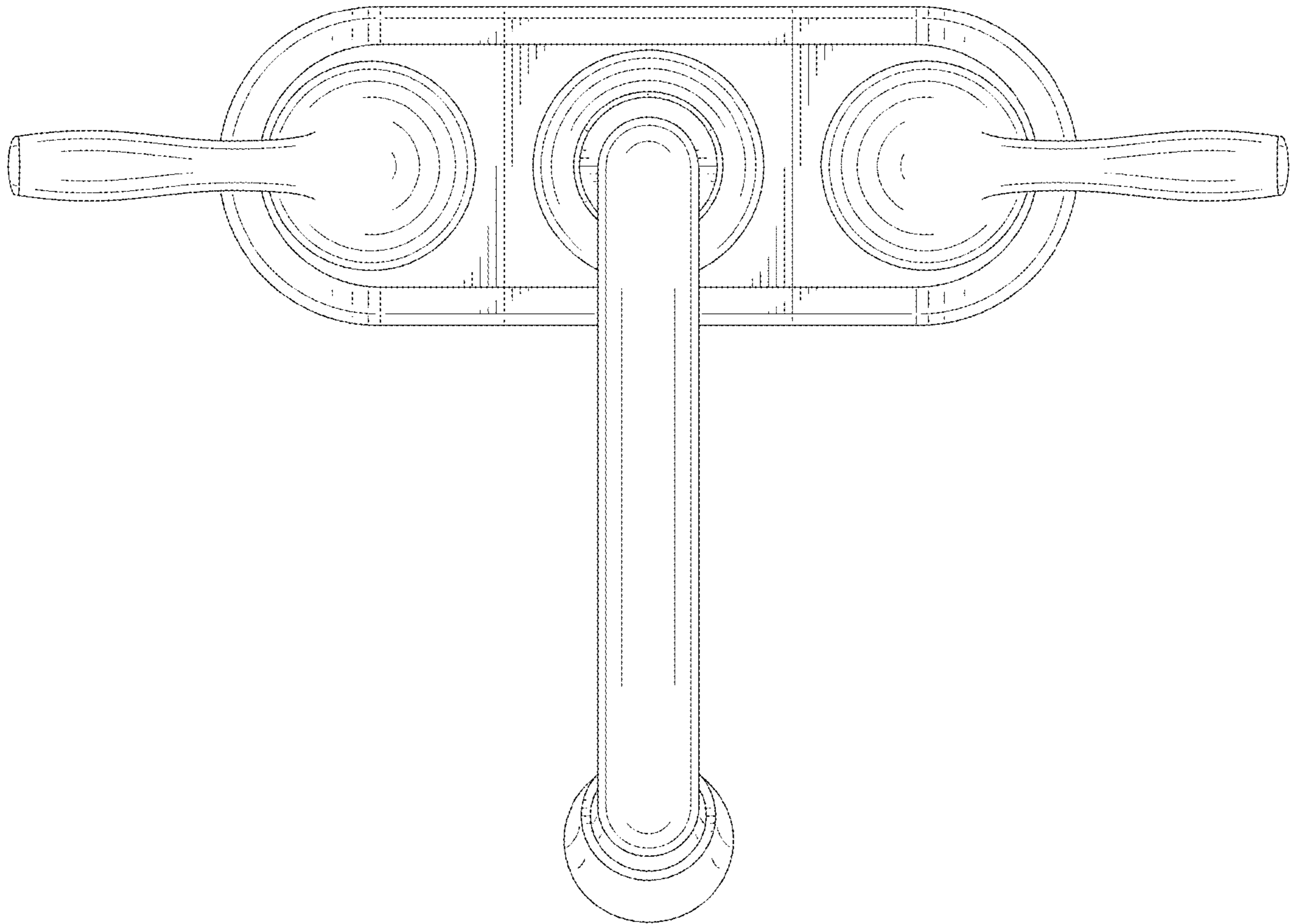


FIG.7



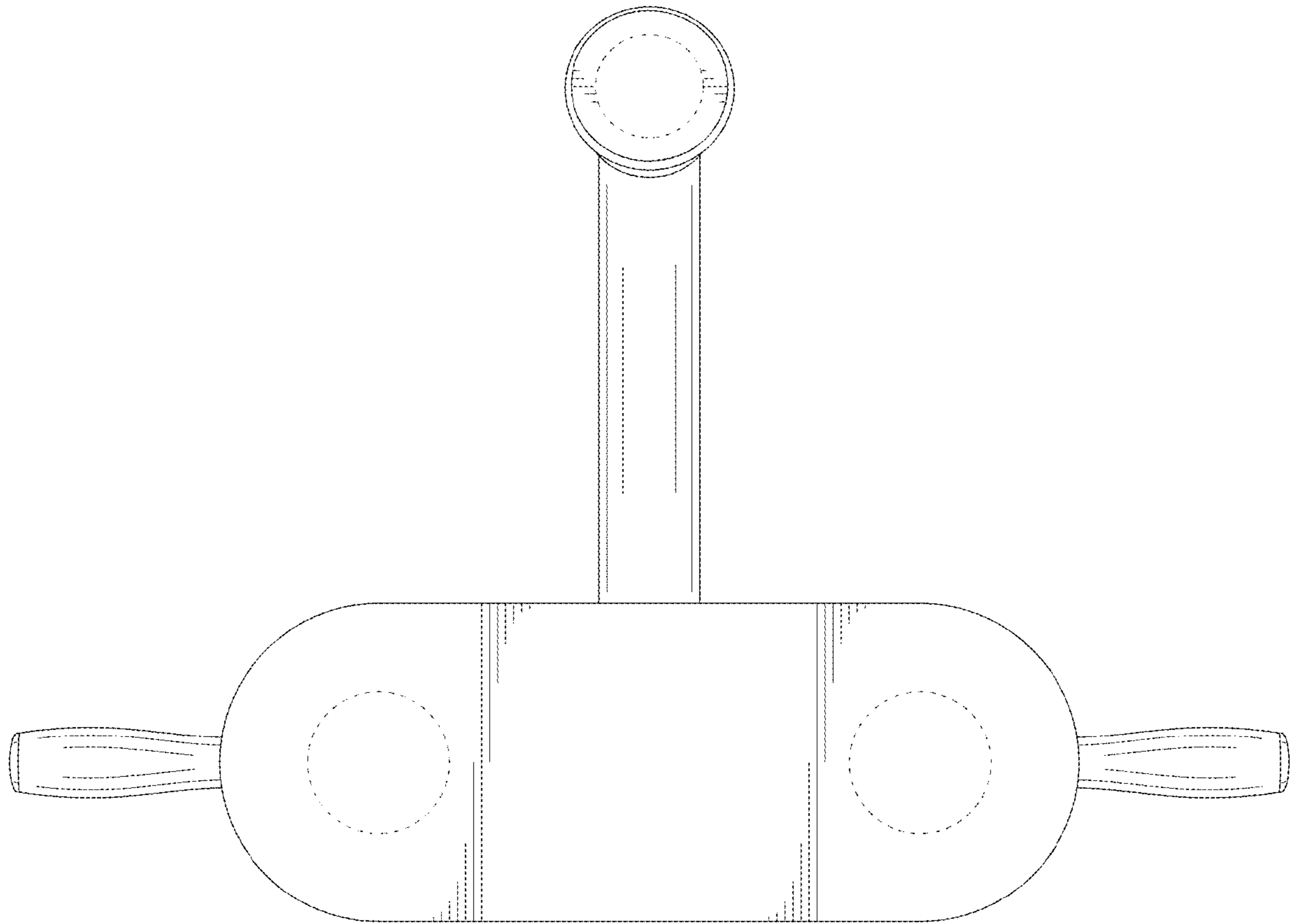


FIG.8