



US00D958296S

(12) **United States Design Patent** (10) **Patent No.:** **US D958,296 S**  
**Abramson** (45) **Date of Patent:** **\*\* Jul. 19, 2022**

(54) **FAUCET BODY**  
(71) Applicant: **DELTA FAUCET COMPANY,**  
Indianapolis, IN (US)  
(72) Inventor: **Mary Malyka Abramson,** Indianapolis,  
IN (US)  
(73) Assignee: **DELTA FAUCET COMPANY,**  
Indianapolis, IN (US)  
(\*\*) Term: **15 Years**  
(21) Appl. No.: **29/761,249**  
(22) Filed: **Dec. 8, 2020**  
(51) **LOC (13) Cl.** ..... **23-01**  
(52) **U.S. Cl.**  
USPC ..... **D23/238**  
(58) **Field of Classification Search**  
USPC ..... D23/238, 239, 240, 241, 242, 243, 244,  
D23/245, 246, 247, 248, 249, 250, 251,  
D23/252, 253, 254, 255, 256, 257, 259  
CPC ..... Y10T 137/9464; E03C 1/00; E03C 1/02;  
E03C 1/04; E03C 1/042; E03C 1/044;  
E03C 1/0402; E03C 1/0403; E03C  
1/0405; E03C 1/0412  
See application file for complete search history.

D847,304 S \* 4/2019 Wu ..... D23/238  
D852,329 S \* 6/2019 Eads ..... D23/249  
D875,216 S \* 2/2020 Tentler ..... D23/238  
2011/0186162 A1\* 8/2011 Farag ..... E03C 1/04  
137/801

**FOREIGN PATENT DOCUMENTS**

CN 201730389182 \* 8/2017  
CN 201930647272.4 \* 11/2019

**OTHER PUBLICATIONS**

Amazon, Glanzhaus Modern Single Handle Kitchen Tap, posted Apr. 10, 2019, [online], [visited Nov. 4, 2021]. Internet, <URL: <https://www.amazon.co.uk/GLANZHHAUS-Modern-Brushed-Kitchen-Monobloc/dp/B07QLRNG6R/ref>> (Year: 2019).\*

\* cited by examiner

*Primary Examiner* — Samantha Wood

(74) *Attorney, Agent, or Firm* — Nirav D. Parikh; Edgar A. Zarins

(57) **CLAIM**

The ornamental design for a faucet body, as shown and described.

**DESCRIPTION**

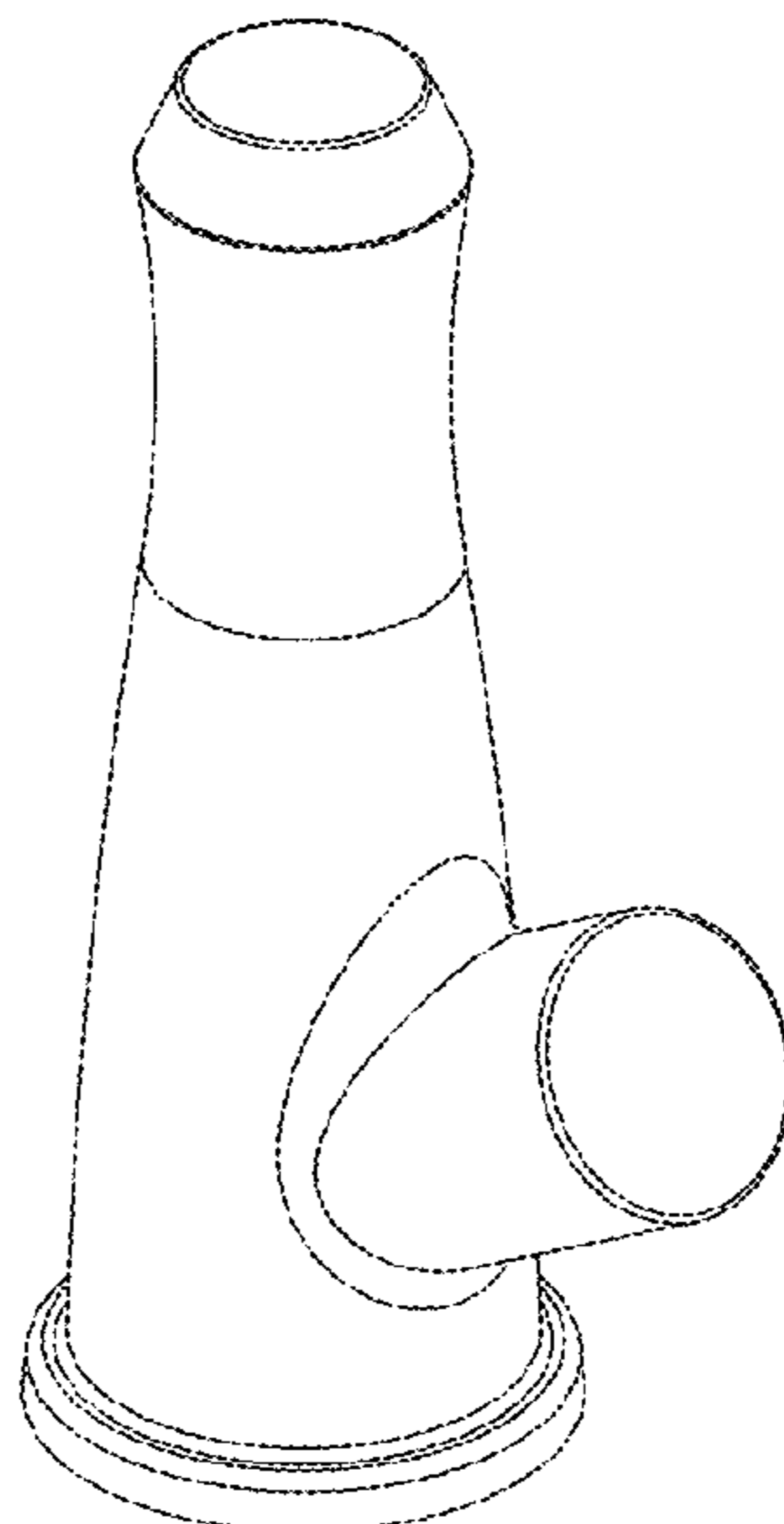
FIG. 1 is a front perspective view of a faucet body showing my new design;  
FIG. 2 is rear perspective view thereof;  
FIG. 3 is a front elevational view thereof;  
FIG. 4 is a left side view thereof;  
FIG. 5 is a rear view thereof;  
FIG. 6 is a right side view thereof;  
FIG. 7 is a top plan view thereof; and,  
FIG. 8 is a bottom view thereof.  
The broken lines are included for the purpose of illustrating portions of the faucet body that forms no part of the claimed design.

**1 Claim, 4 Drawing Sheets**

(56) **References Cited**

**U.S. PATENT DOCUMENTS**

D491,636 S \* 6/2004 Shieh ..... D23/248  
D535,357 S \* 1/2007 Zhou ..... D23/238  
D645,937 S \* 9/2011 Sedwick ..... D23/238  
D667,933 S \* 9/2012 Kwok ..... D23/238  
D670,361 S \* 11/2012 Georgeson ..... D23/255  
D676,117 S \* 2/2013 Georgeson ..... D23/255  
D691,708 S \* 10/2013 Georgeson ..... D23/255  
D709,167 S \* 7/2014 Flowers ..... D23/238  
9,057,184 B2\* 6/2015 Meehan ..... F21V 33/004  
D820,402 S \* 6/2018 Zeng ..... D23/238



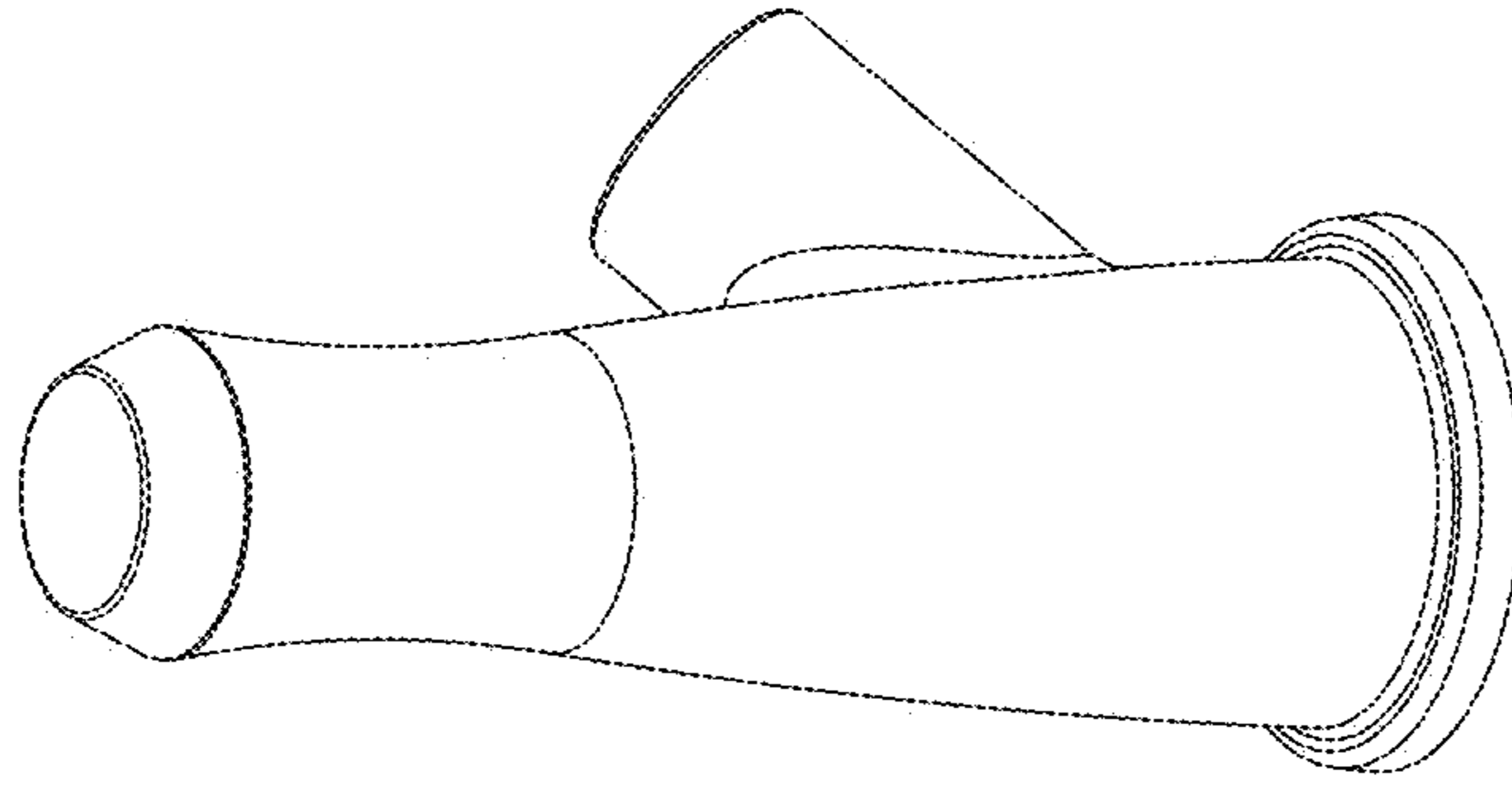


Fig. 2

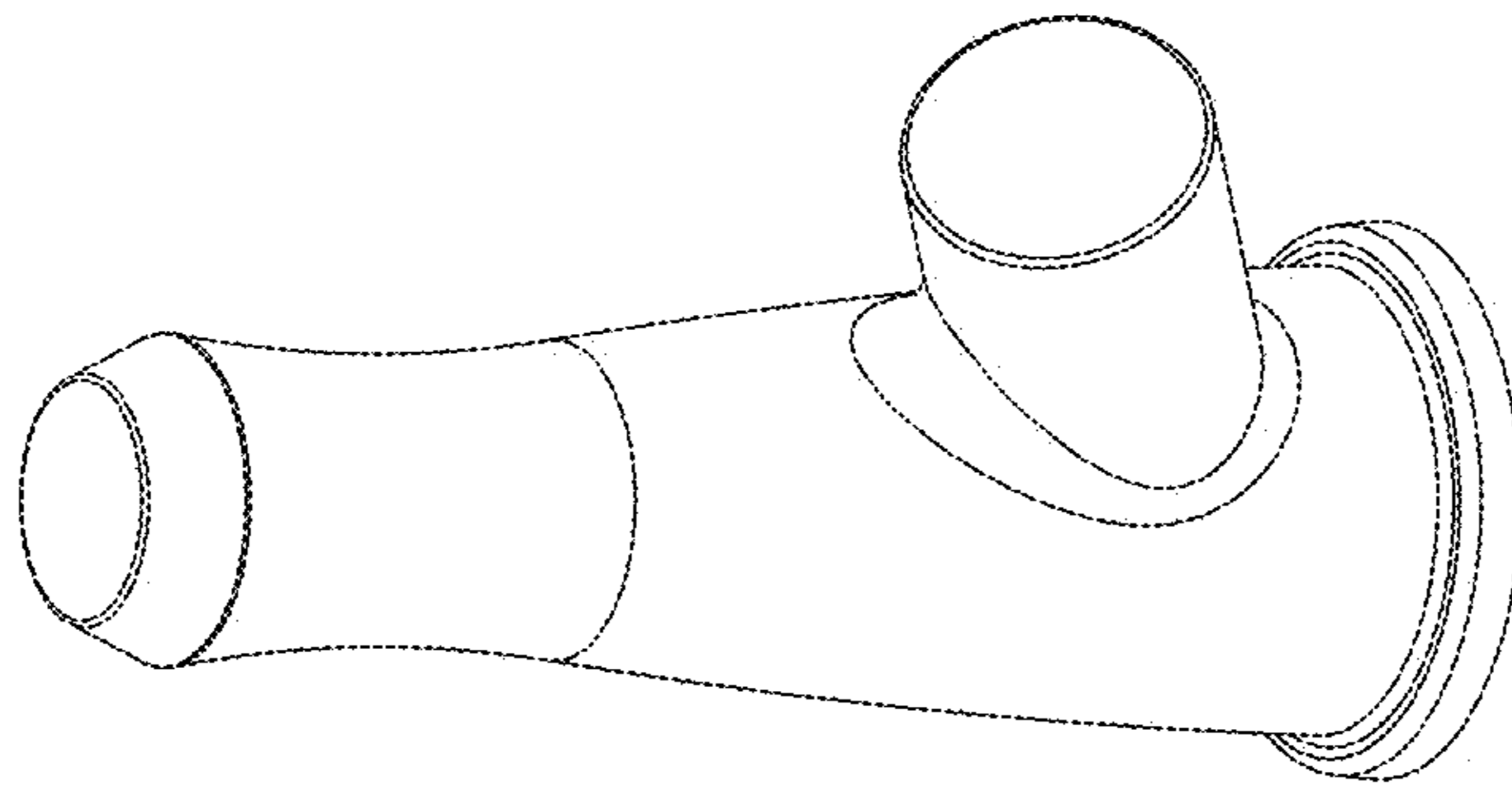


Fig. 1

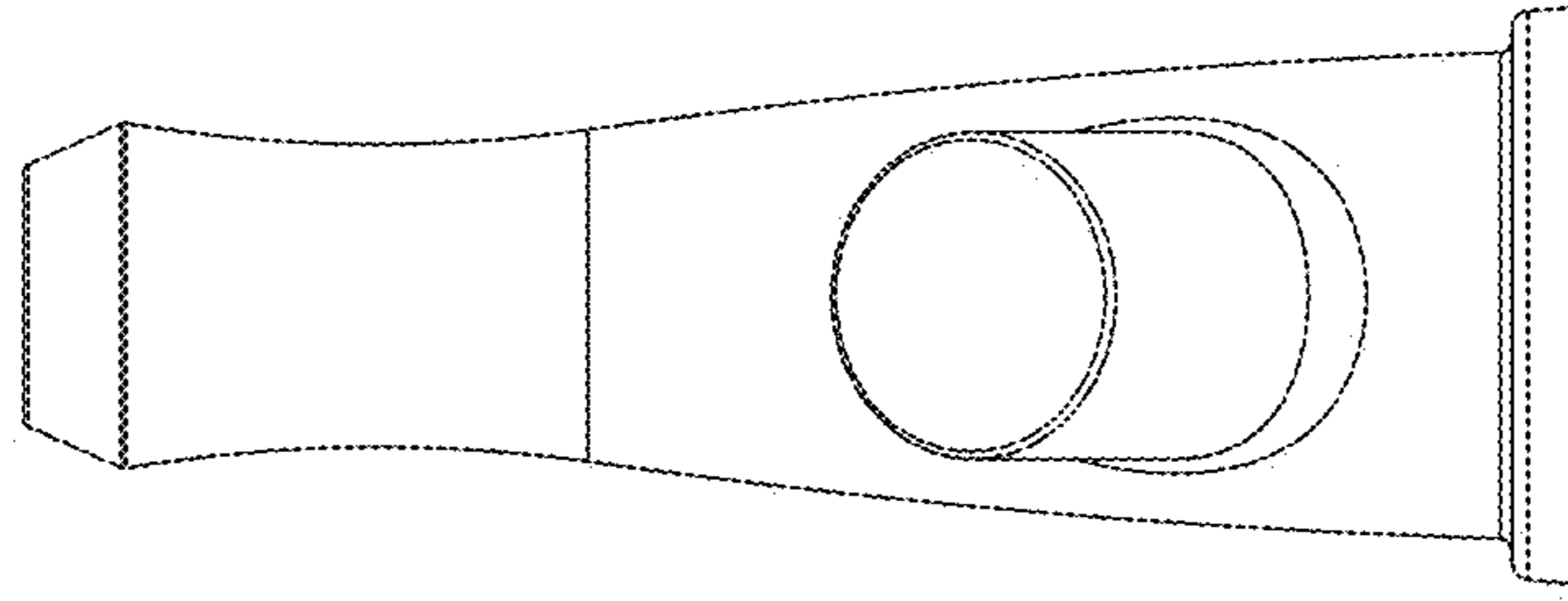


Fig. 4

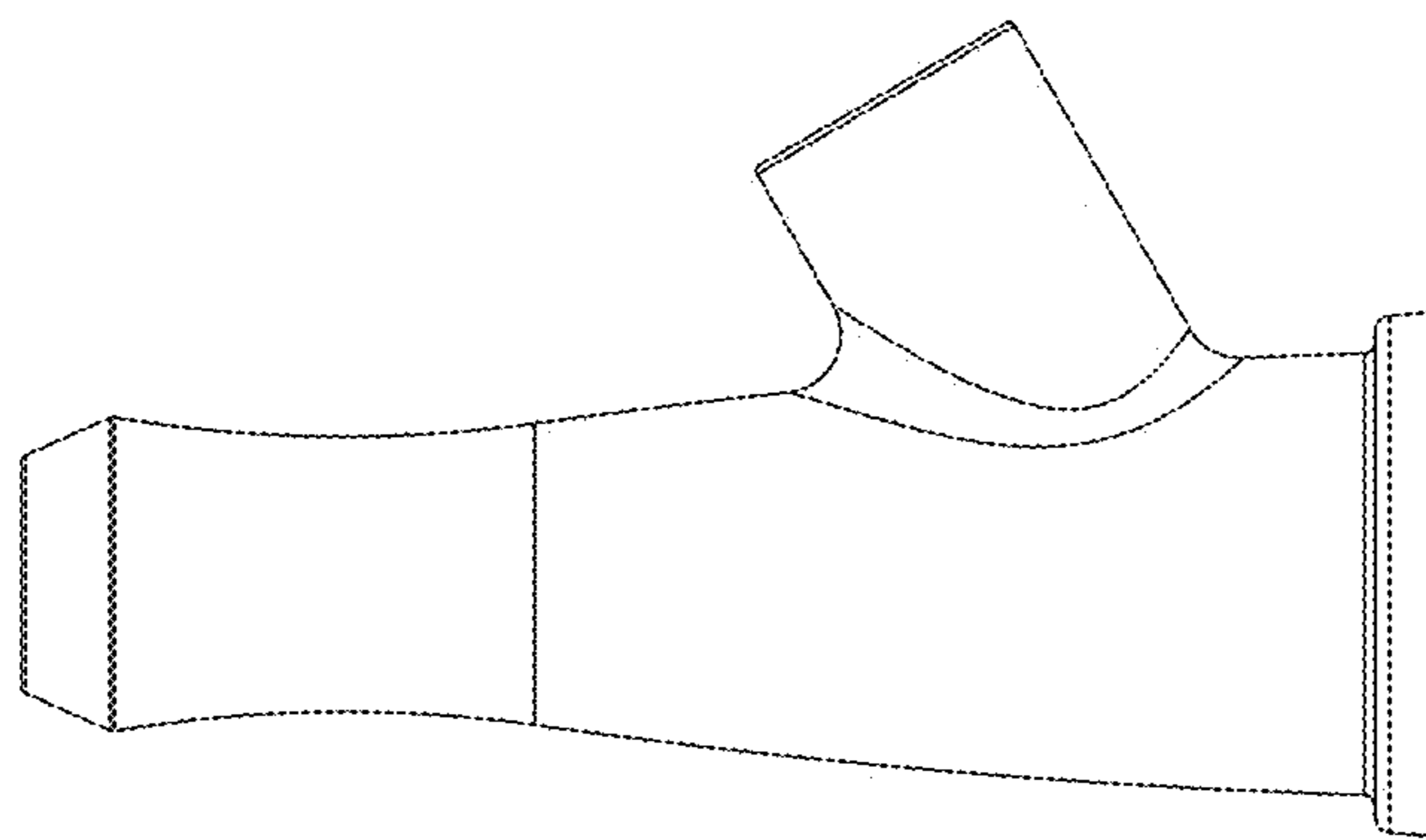


Fig. 3

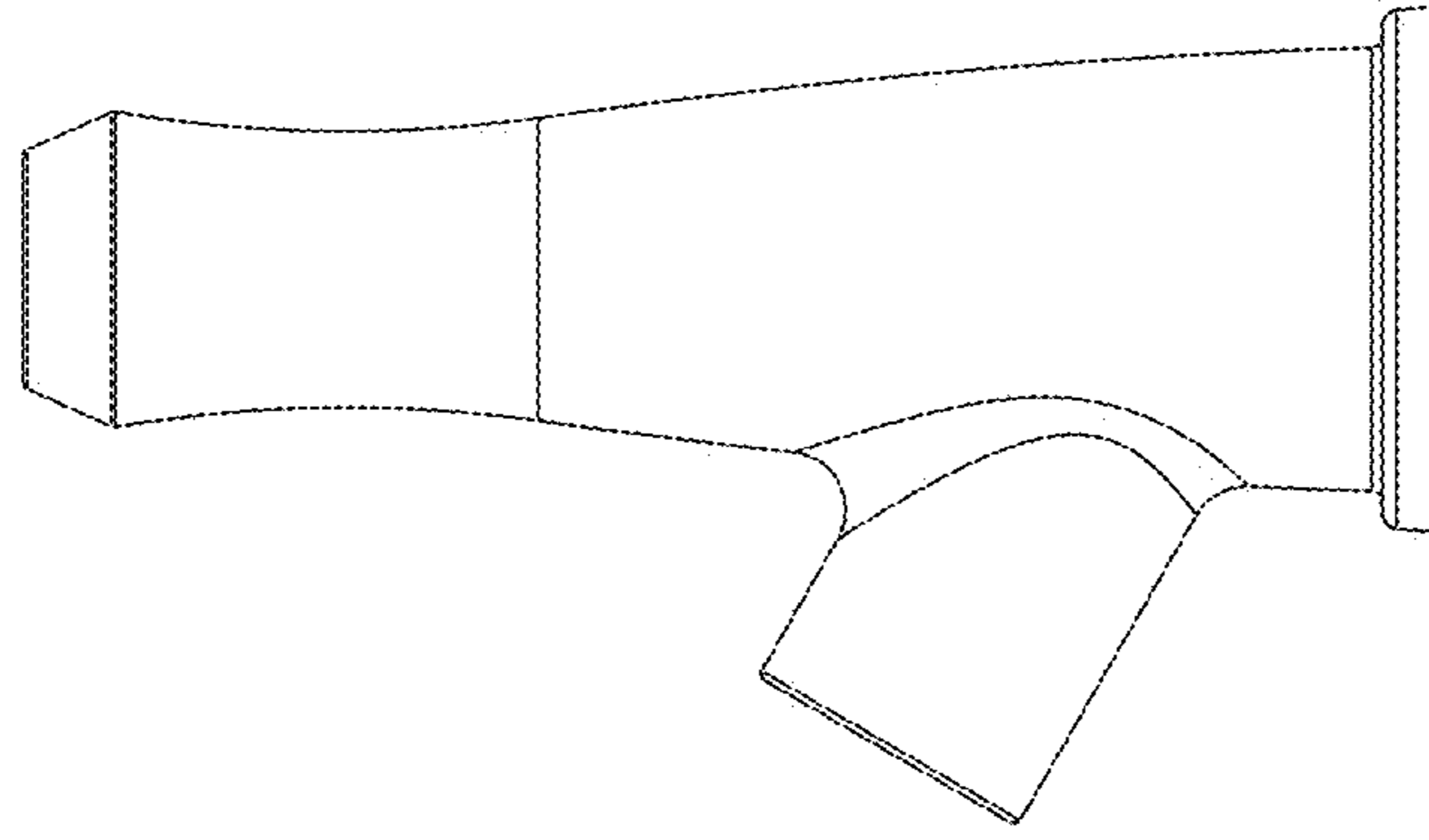


Fig. 6

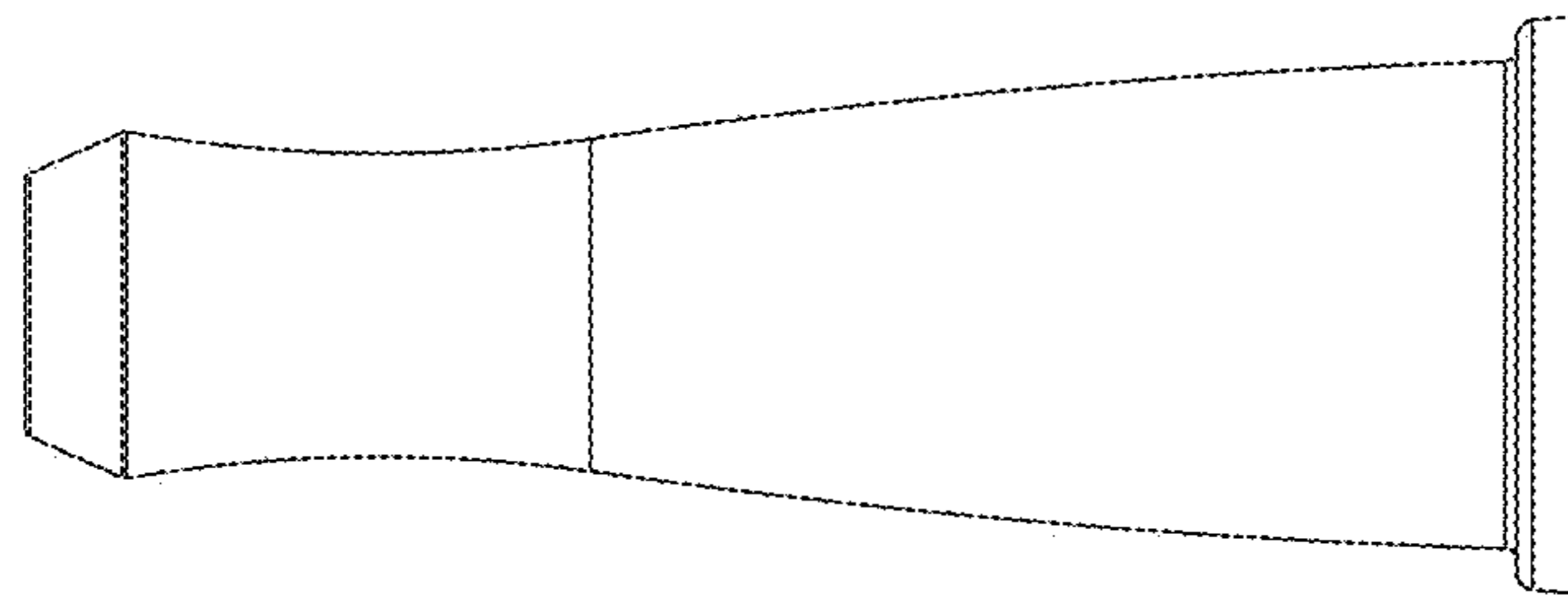


Fig. 5

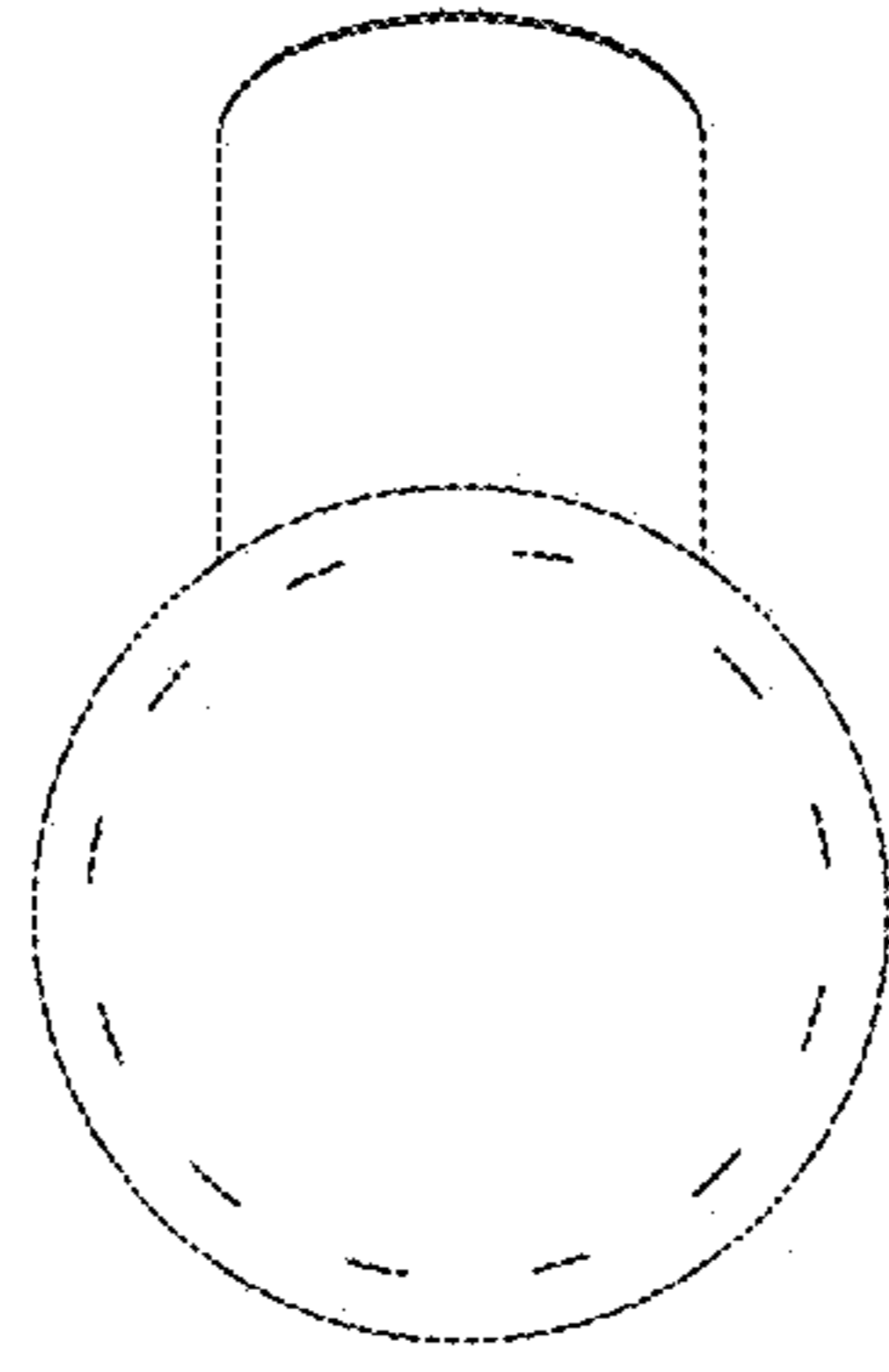


Fig. 8

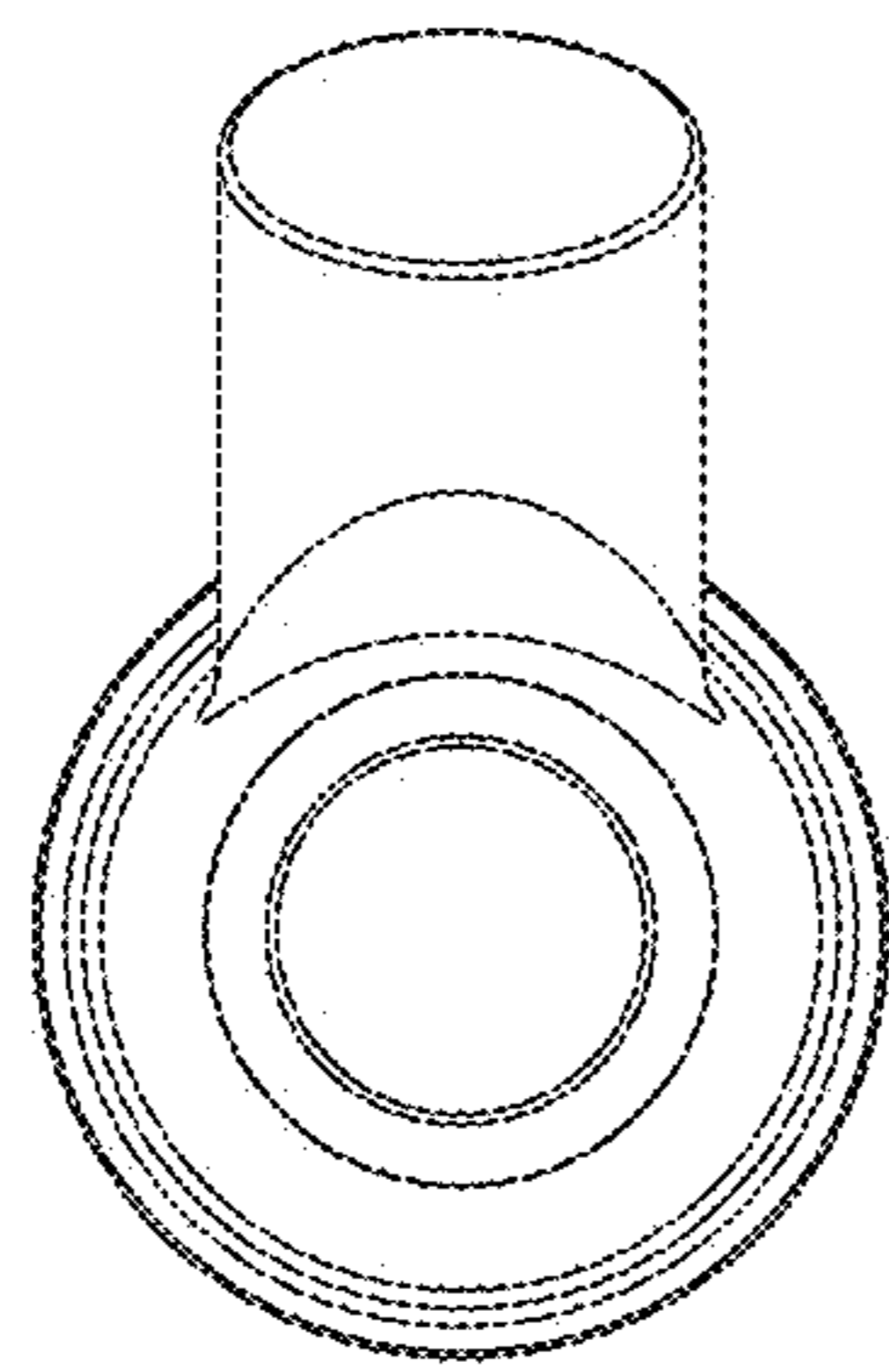


Fig. 7