



US00D958295S

(12) **United States Design Patent** (10) **Patent No.:** **US D958,295 S**
Elser (45) **Date of Patent:** **** Jul. 19, 2022**

(54) **FAUCET BODY**

FOREIGN PATENT DOCUMENTS

(71) Applicant: **DELTA FAUCET COMPANY,**
Indianapolis, IN (US)

CA 183099 * 8/2018
CA 183121 * 8/2018

(72) Inventor: **Simon Elser,** Indianapolis, IN (US)

OTHER PUBLICATIONS

(73) Assignee: **DELTA FAUCET COMPANY,**
Indianapolis, IN (US)

Moen S53004 Weymouth Shepherd's Hook Pulldown Kitchen Bar Faucet Featuring Metal Wand with Power Clean, announced Dec. 17, 2018[online], [site visited Jul. 28, 2021]. Available from internet, URL:<<https://www.amazon.com/Moen-S53004NL-Weymouth-Shepherds-Featuring/dp/B07PZDPK11?th=1>> (Year: 2018).*

(**) Term: **15 Years**

* cited by examiner

(21) Appl. No.: **29/735,022**

(22) Filed: **May 18, 2020**

Primary Examiner — Barbara Fox

Assistant Examiner — Jamaal Rasheed

(51) **LOC (13) Cl.** **23-01**

(74) *Attorney, Agent, or Firm* — Nirav D. Parikh; Edgar A. Zarins

(52) **U.S. Cl.**

USPC **D23/238**

(57) **CLAIM**

(58) **Field of Classification Search**

USPC D23/238–243, 249, 255, 257

CPC E03C 1/0401; E03C 1/0402; E03C 1/0404;

E03C 1/0405; E03C 1/0412

See application file for complete search history.

The ornamental design for a faucet body, as shown and described.

DESCRIPTION

(56) **References Cited**

U.S. PATENT DOCUMENTS

D580,017 S	*	11/2008	Yegyayan	D23/238
D625,780 S	*	10/2010	Soriano	D23/255
D800,260 S	*	10/2017	Fritz	D23/238
D873,385 S	*	1/2020	Tentler	D23/257
D873,386 S	*	1/2020	Tentler	D23/257
D876,588 S	*	2/2020	Garland	D23/238
D883,434 S	*	5/2020	Lu	D23/238
D914,156 S	*	3/2021	Zhu	D23/249
D921,160 S	*	6/2021	Liu	D23/238

FIG. 1 is a rear perspective view of a faucet body showing my new design;

FIG. 2 is a front perspective view thereof;

FIG. 3 is a front elevational view thereof;

FIG. 4 is a left side view thereof;

FIG. 5 is a right side view thereof;

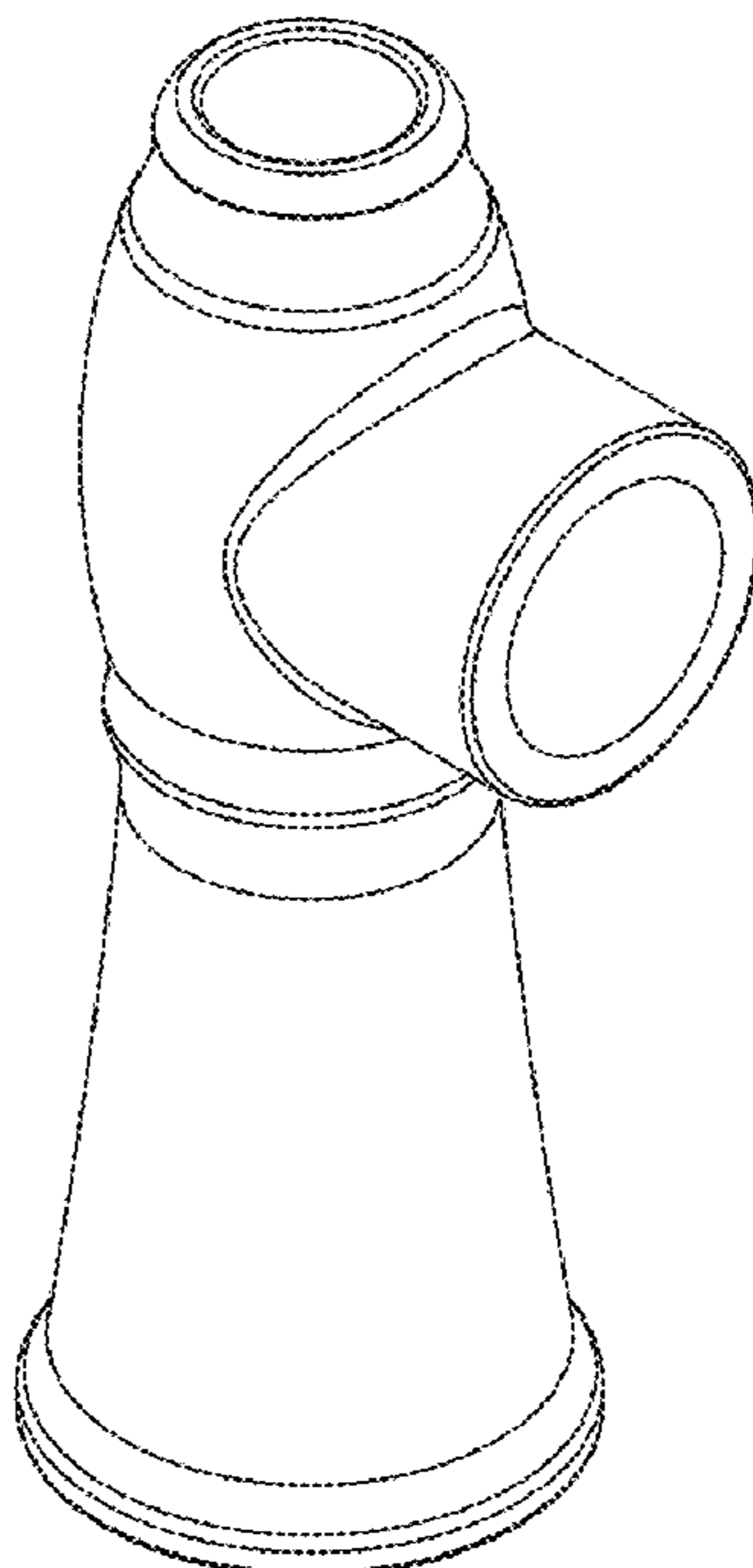
FIG. 6 is a rear view thereof;

FIG. 7 is a top view thereof; and,

FIG. 8 is a bottom view thereof.

The broken lines shown in the figures depict portions of the faucet body that form no part of the claimed design.

1 Claim, 4 Drawing Sheets



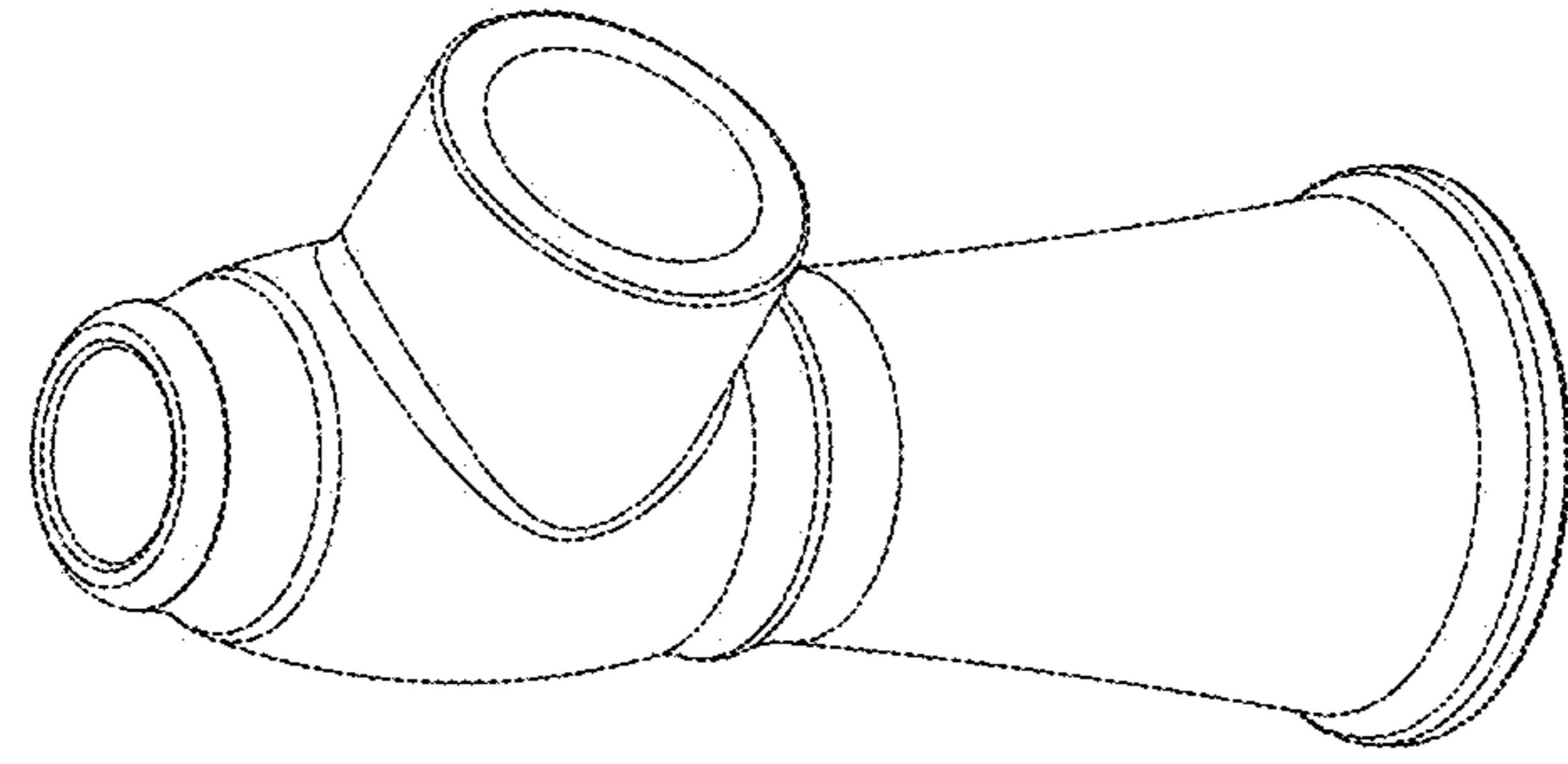


Fig. 2

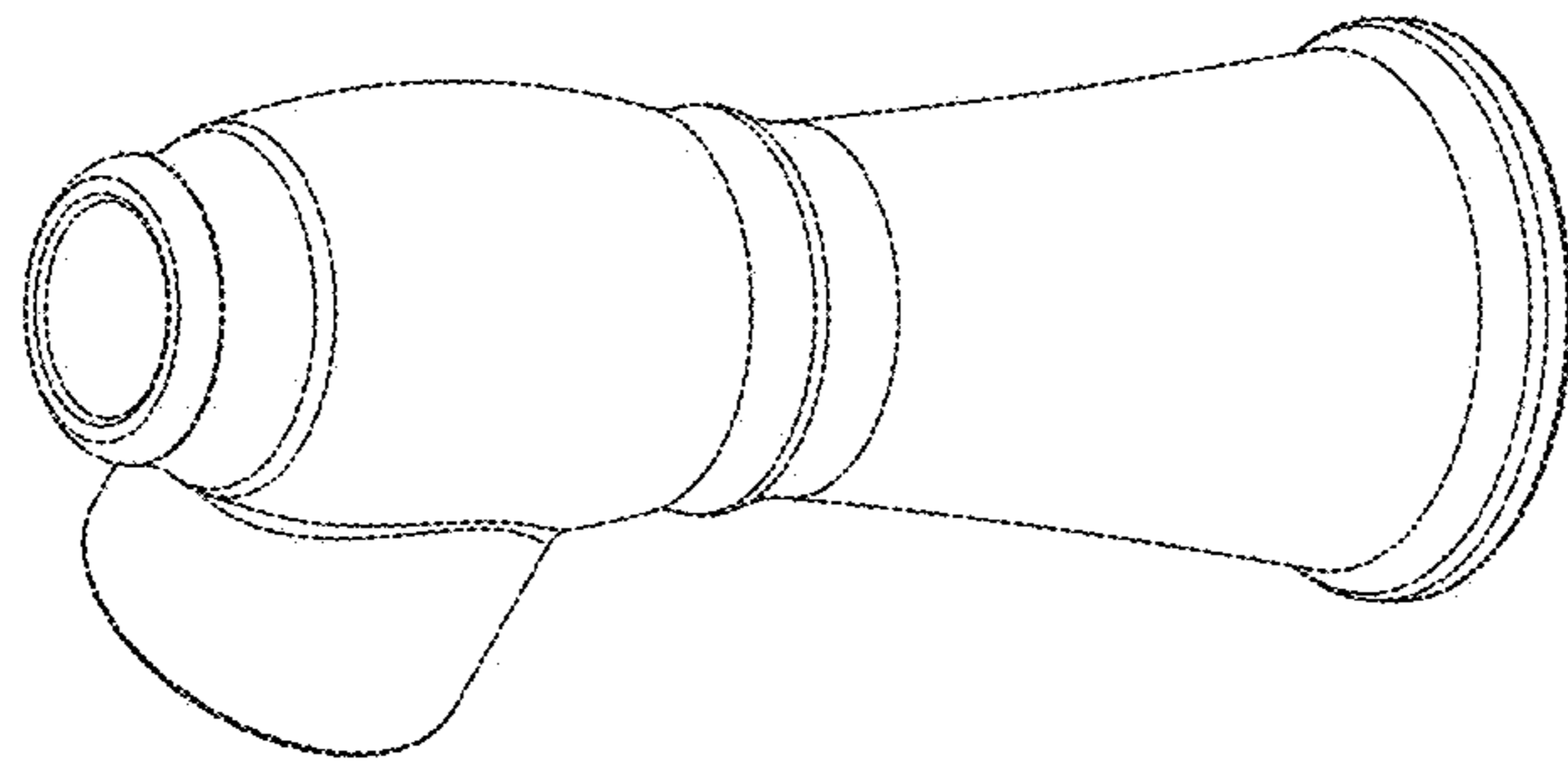


Fig. 1

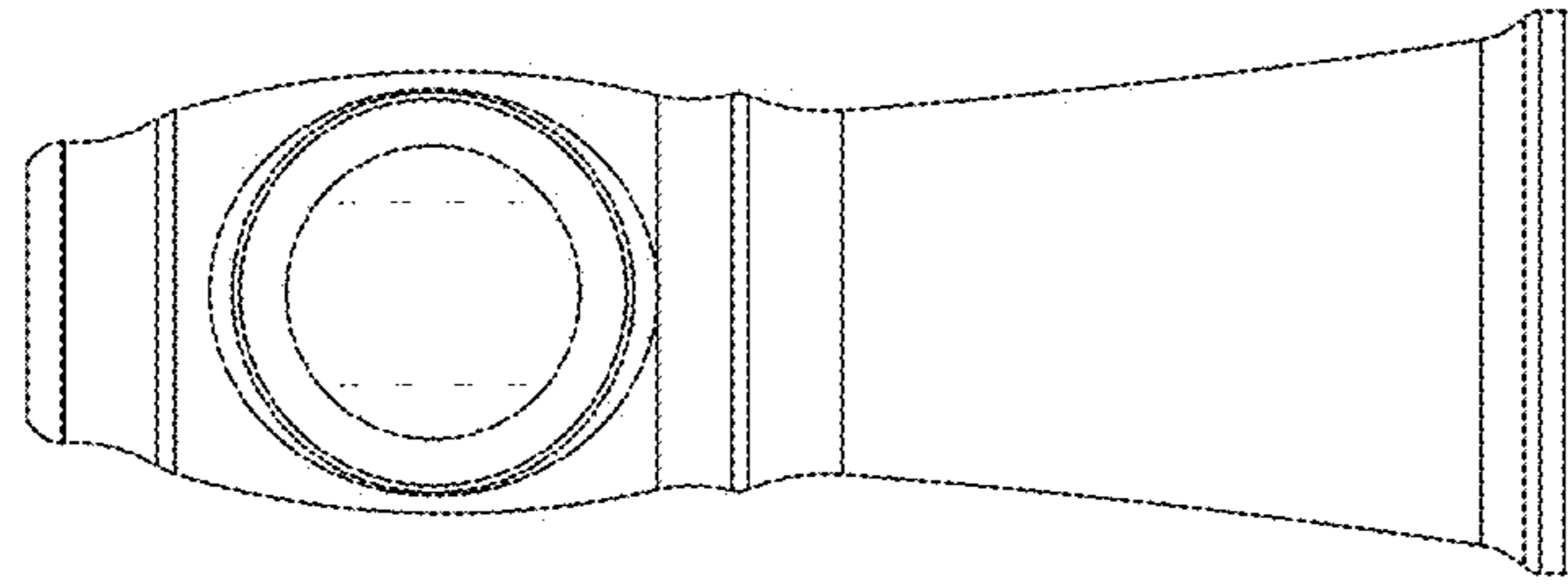


Fig. 4

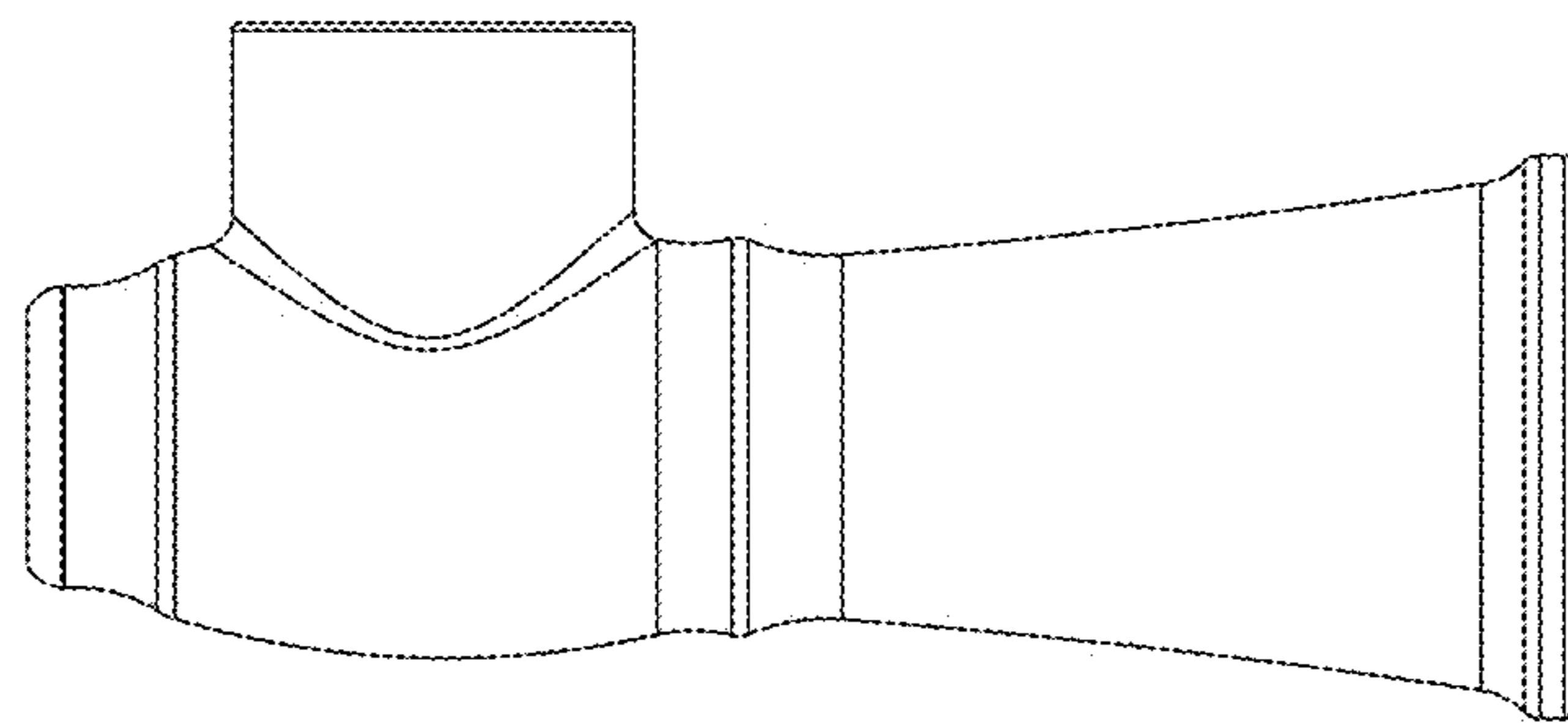


Fig. 3

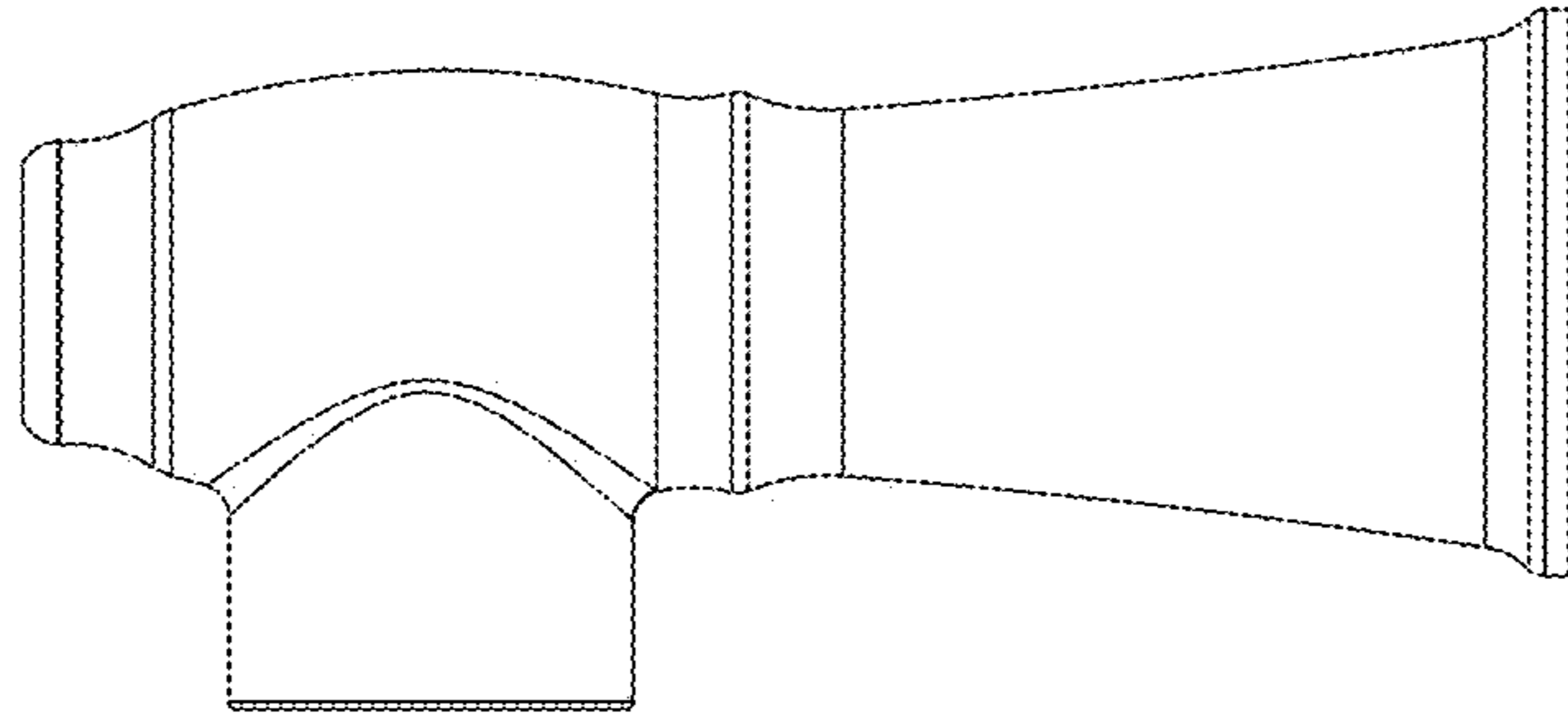


Fig. 6

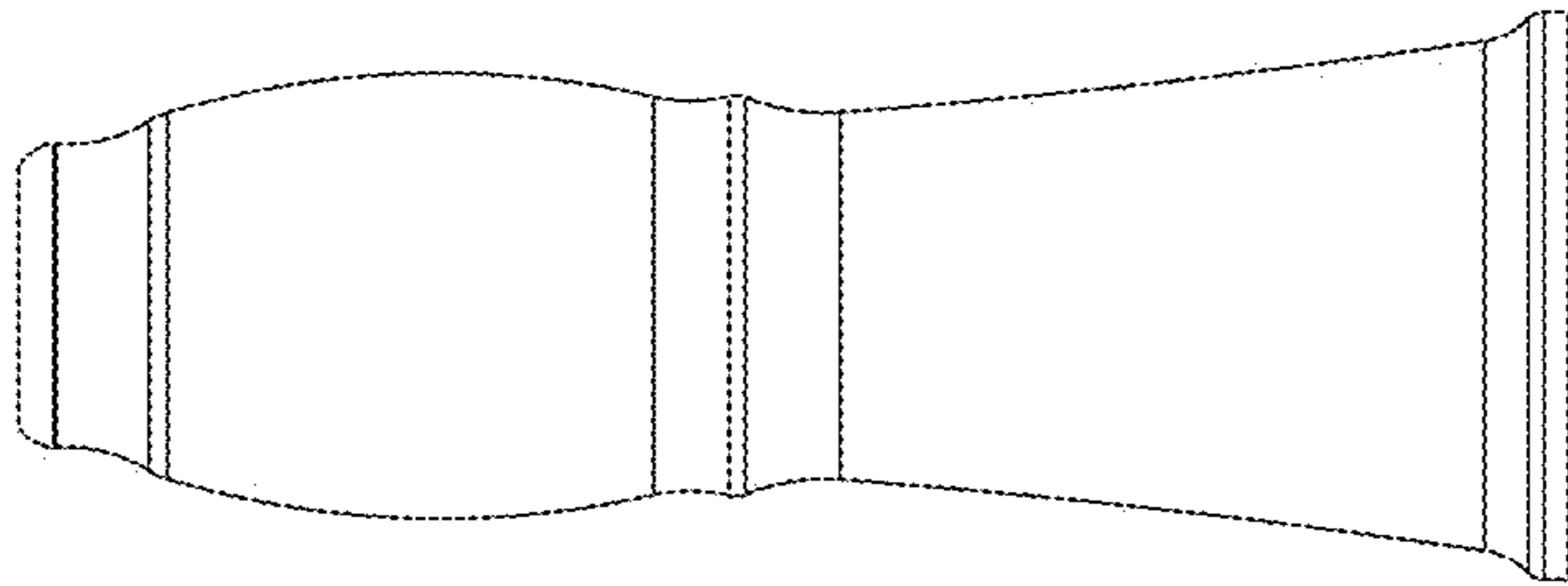


Fig. 5

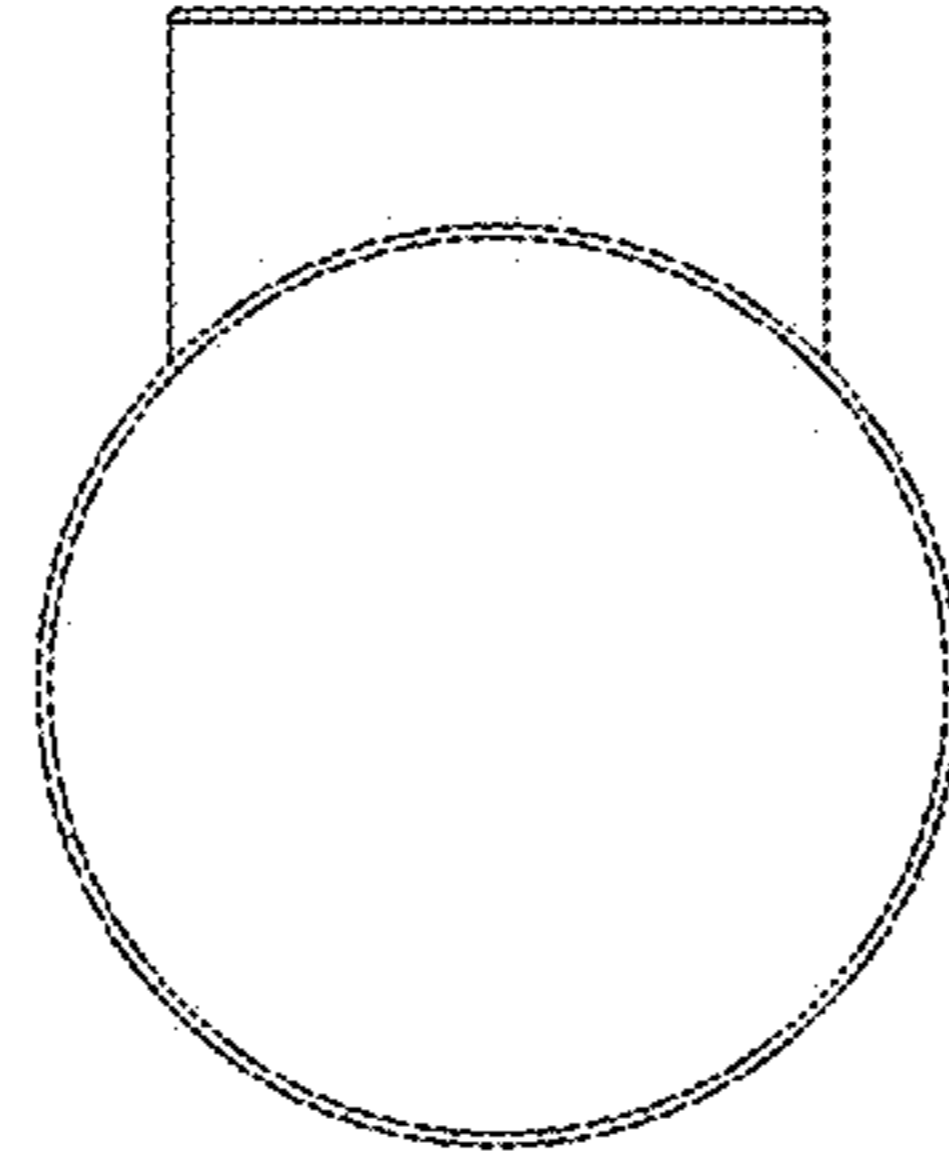


Fig. 8

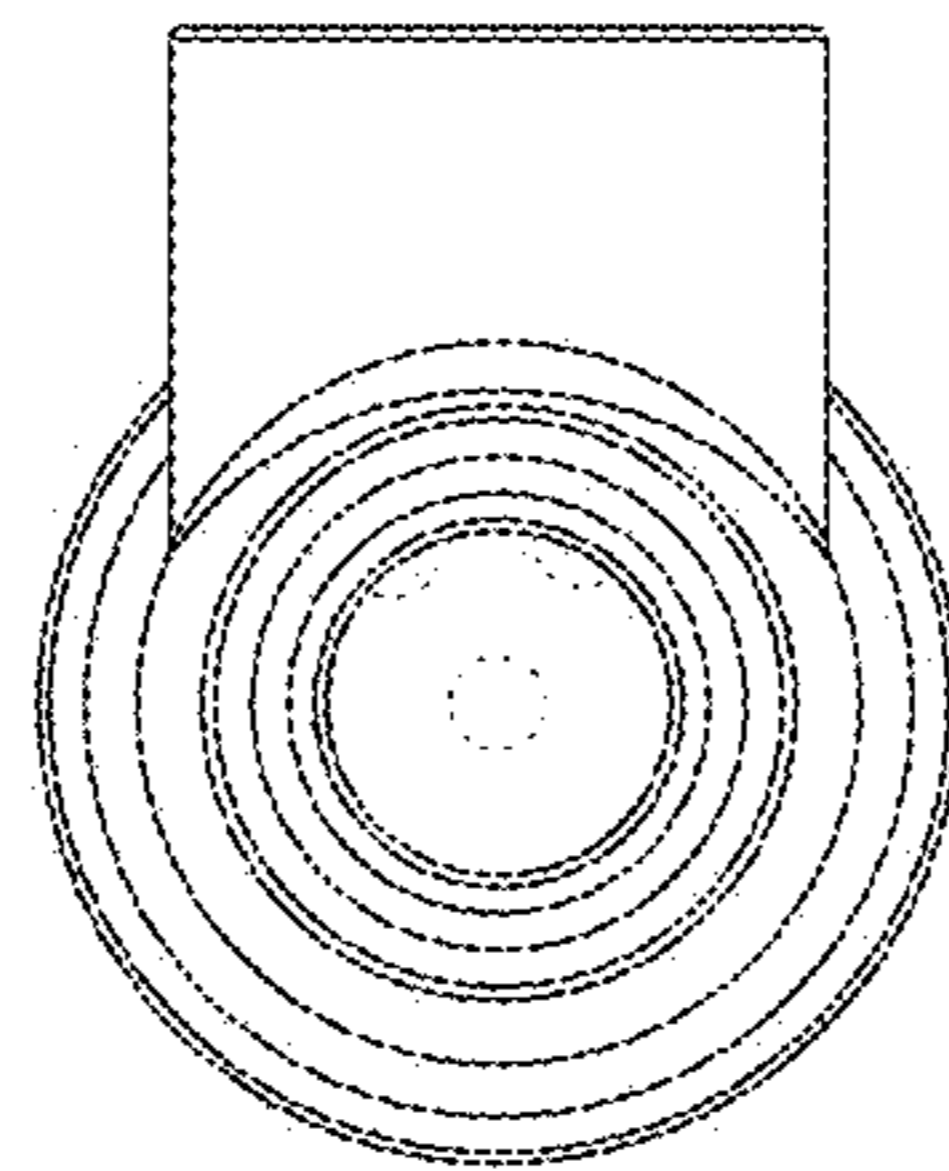


Fig. 7