



US00D958294S

(12) **United States Design Patent**  
**Yang et al.**

(10) **Patent No.:** **US D958,294 S**  
(45) **Date of Patent:** **\*\* Jul. 19, 2022**

- (54) **SPRAY GUN**
- (71) Applicant: **Zhejiang Prulde Electric Appliance Co., Ltd., Zhejiang (CN)**
- (72) Inventors: **Weiming Yang, Zhejiang (CN); Ting Han, Zhejiang (CN)**
- (73) Assignee: **Zhejiang Prulde Electric Appliance Co., Ltd., Zhejiang (CN)**

- 8,550,376 B2 \* 10/2013 Munn ..... B05B 7/083  
239/301
- D795,391 S \* 8/2017 Yang ..... D23/225
- D796,630 S \* 9/2017 Yang ..... D23/225
- 10,421,087 B2 \* 9/2019 Yang ..... B05B 7/241
- D926,929 S \* 8/2021 Shen ..... D23/225
- 2007/0186813 A1 \* 8/2007 Smith ..... B05D 1/02  
106/281.1
- 2011/0114749 A1 \* 5/2011 Munn ..... B05B 7/2405  
239/74
- 2016/0059252 A1 \* 3/2016 Krayner ..... B05B 7/2478  
239/337

(\*\*) Term: **15 Years**

(Continued)

(21) Appl. No.: **29/741,016**

**OTHER PUBLICATIONS**

(22) Filed: **Jul. 9, 2020**

Prulde PLD3171, Aug. 30, 2021, Alibaba, site visited Aug. 30, 2021: [https://www.alibaba.com/product-detail/HVLP-Handheld-Paint-Stain-Sprayer-Complete\\_62562021903.html](https://www.alibaba.com/product-detail/HVLP-Handheld-Paint-Stain-Sprayer-Complete_62562021903.html) (Year: 2021).\*

(30) **Foreign Application Priority Data**

(Continued)

Jan. 9, 2020 (CN) ..... 202030013508.1

(51) **LOC (13) Cl.** ..... **23-01**

*Primary Examiner* — Jack Reickel

(52) **U.S. Cl.**

*Assistant Examiner* — Bobby W Jones, II

USPC ..... **D23/225**

(74) *Attorney, Agent, or Firm* — JCIP Global Inc.

(58) **Field of Classification Search**

(57) **CLAIM**

USPC ..... D23/207, 213, 223, 225, 226, 356, 360;  
D15/9; D32/53

The ornamental design for a spray gun, as shown and described.

CPC .. B05B 5/025; B05B 5/03; B05B 5/16; B05B 5/1691; B05B 7/0018; B05B 7/0093; B05B 7/02; B05B 7/06; B05B 7/062; B05B 7/064; B05B 7/12; B05B 7/129; B05B 7/24; B05B 7/2475; B05B 7/2478; B05B 15/60; B05B 15/63

**DESCRIPTION**

See application file for complete search history.

FIG. 1 is a perspective view of a spray gun showing our new design;

FIG. 2 is a front view thereof;

FIG. 3 is a rear view thereof;

FIG. 4 is a right side view thereof;

FIG. 5 is a left side view thereof;

FIG. 6 is a top view thereof; and,

FIG. 7 is a bottom view thereof.

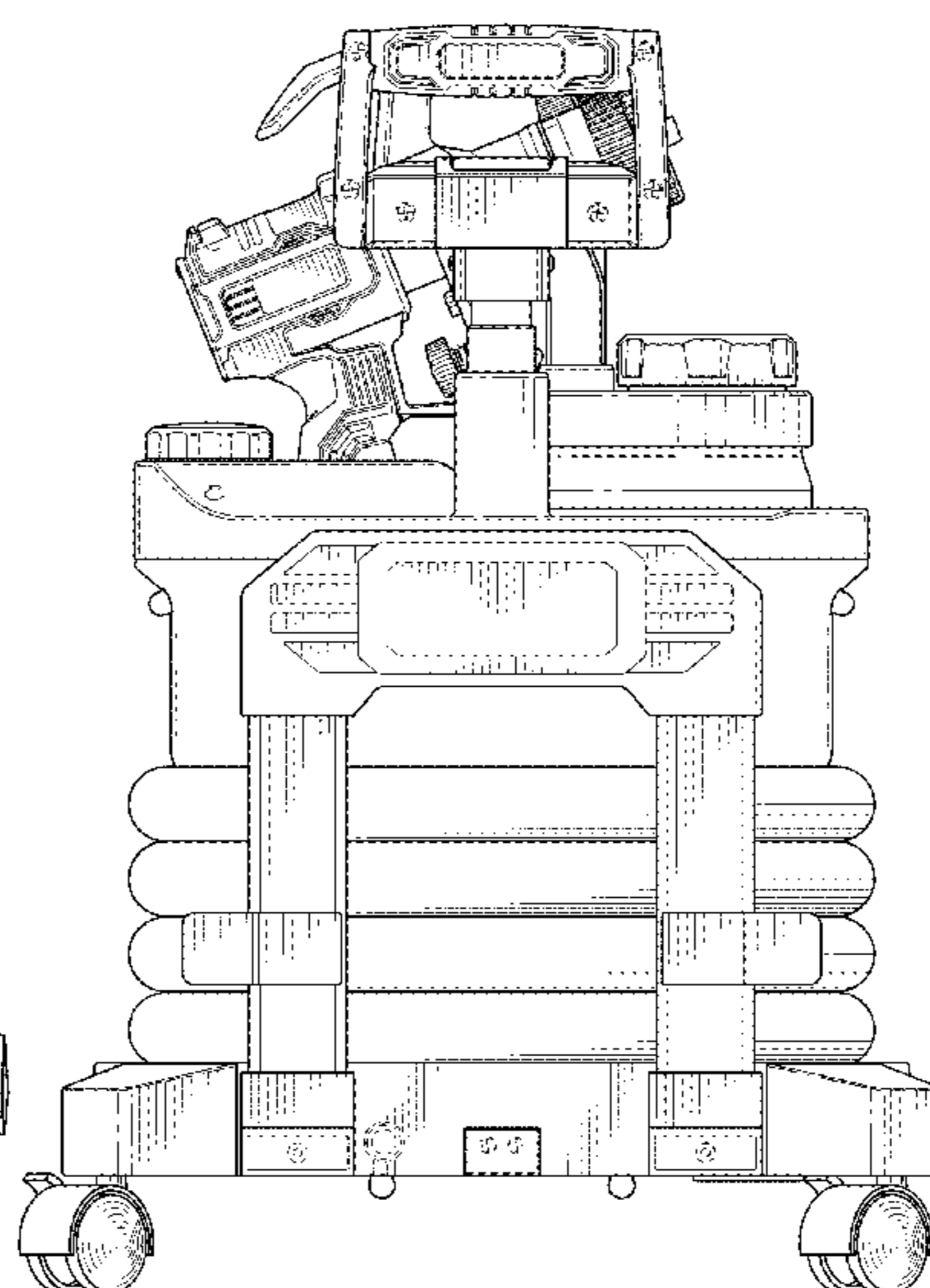
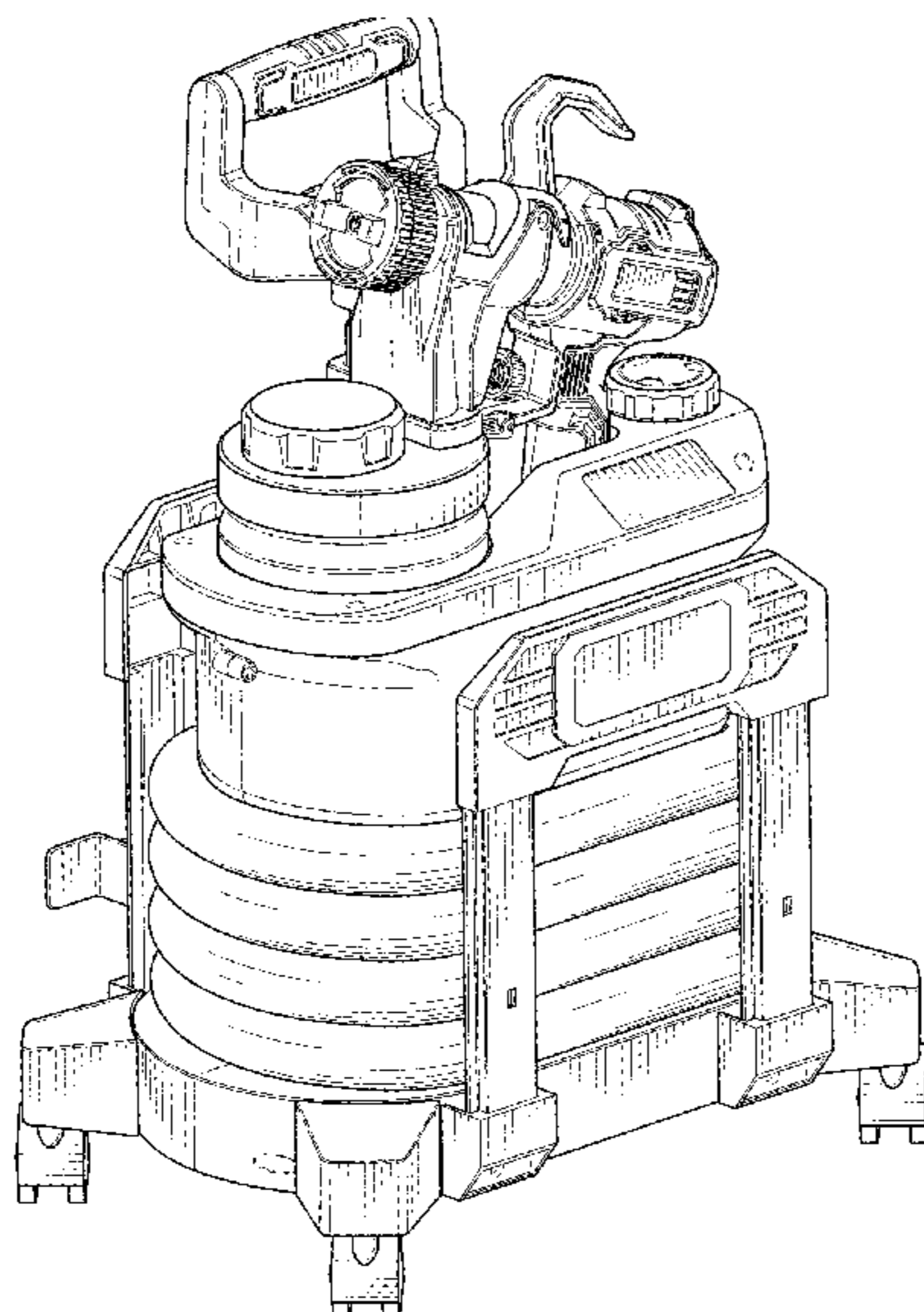
The broken line showing of portions of the spray gun forms no part of the claimed design.

(56) **References Cited**

**U.S. PATENT DOCUMENTS**

- D503,215 S \* 3/2005 Stevens ..... D23/225
- D576,703 S \* 9/2008 Nathan ..... D23/225
- D639,387 S \* 6/2011 Martin ..... D23/225
- D645,541 S \* 9/2011 Miller ..... D23/225
- D646,752 S \* 10/2011 Krayner ..... D23/225

**1 Claim, 7 Drawing Sheets**



(56)

**References Cited**

U.S. PATENT DOCUMENTS

2017/0209880 A1\* 7/2017 Carideo ..... F04B 49/08  
2017/0225203 A1\* 8/2017 Kloepfer ..... B08B 3/003  
2017/0304873 A1\* 10/2017 Luby ..... B08B 3/026  
2018/0049422 A1\* 2/2018 Wells ..... B05B 9/043  
2018/0339074 A1\* 11/2018 Ekerdt ..... B05B 9/042  
2020/0121867 A1\* 4/2020 Wright ..... A61L 2/22  
2020/0238318 A1\* 7/2020 Shultz ..... F04B 15/023

OTHER PUBLICATIONS

Neu Master N3140 Spray Gun, Jul. 31, 2018, Amazon, site visited Aug. 30, 2021: <https://www.amazon.com/dp/B07G2V6X2D/> (Year: 2018).\*

Earlex HV5500 HVLP Spray Station, Mar. 10, 2011, Amazon, site visited Aug. 30, 2021: <https://www.amazon.com/dp/B004RGOKR2/> (Year: 2011).\*

Ozito Mobile Paint Spray System, Sep. 24, 2017, YouTube, site visited Aug. 30, 2021: <https://www.youtube.com/watch?v=MdTRVExoHc4> (Year: 2017).\*

\* cited by examiner

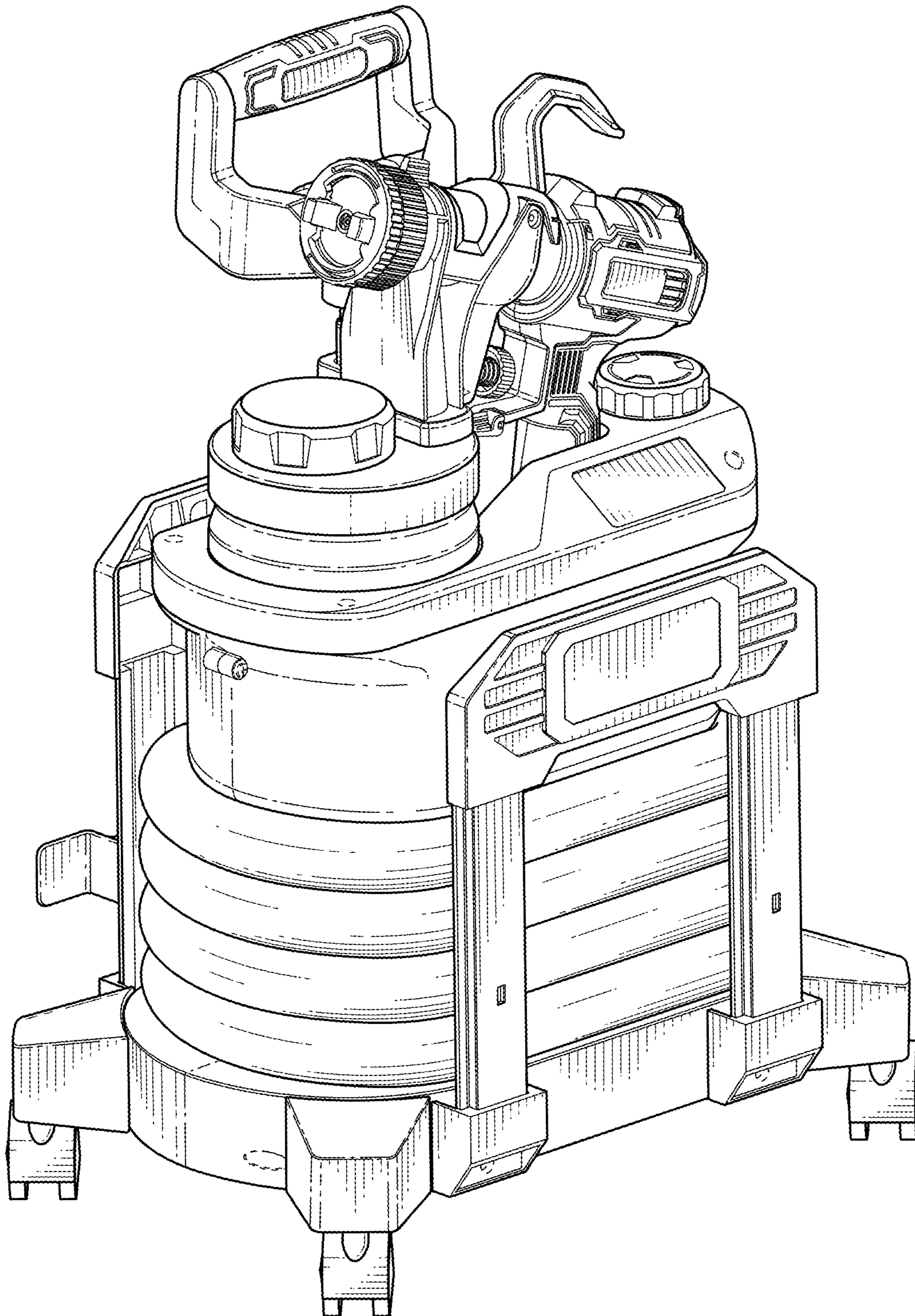


FIG. 1



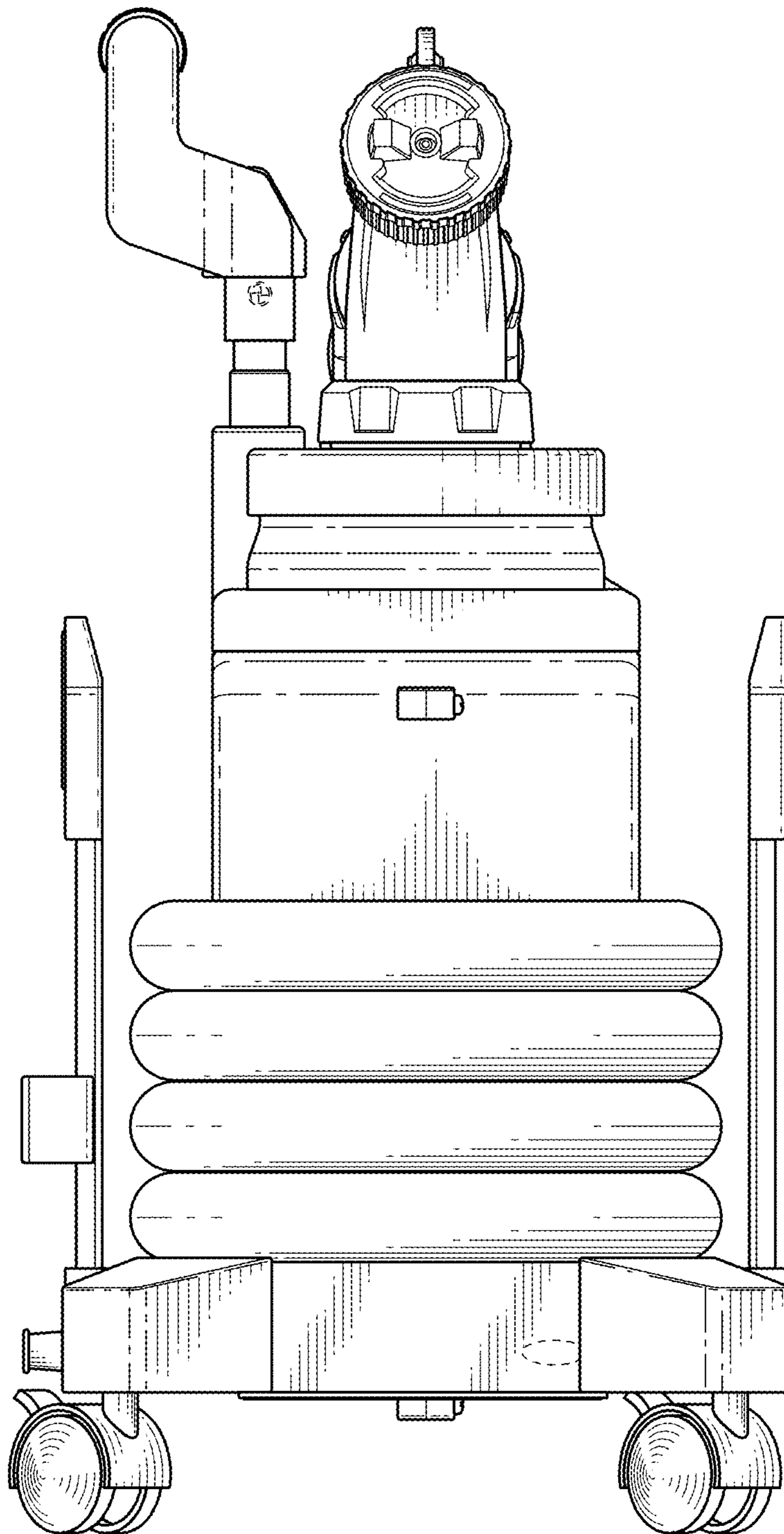


FIG. 2

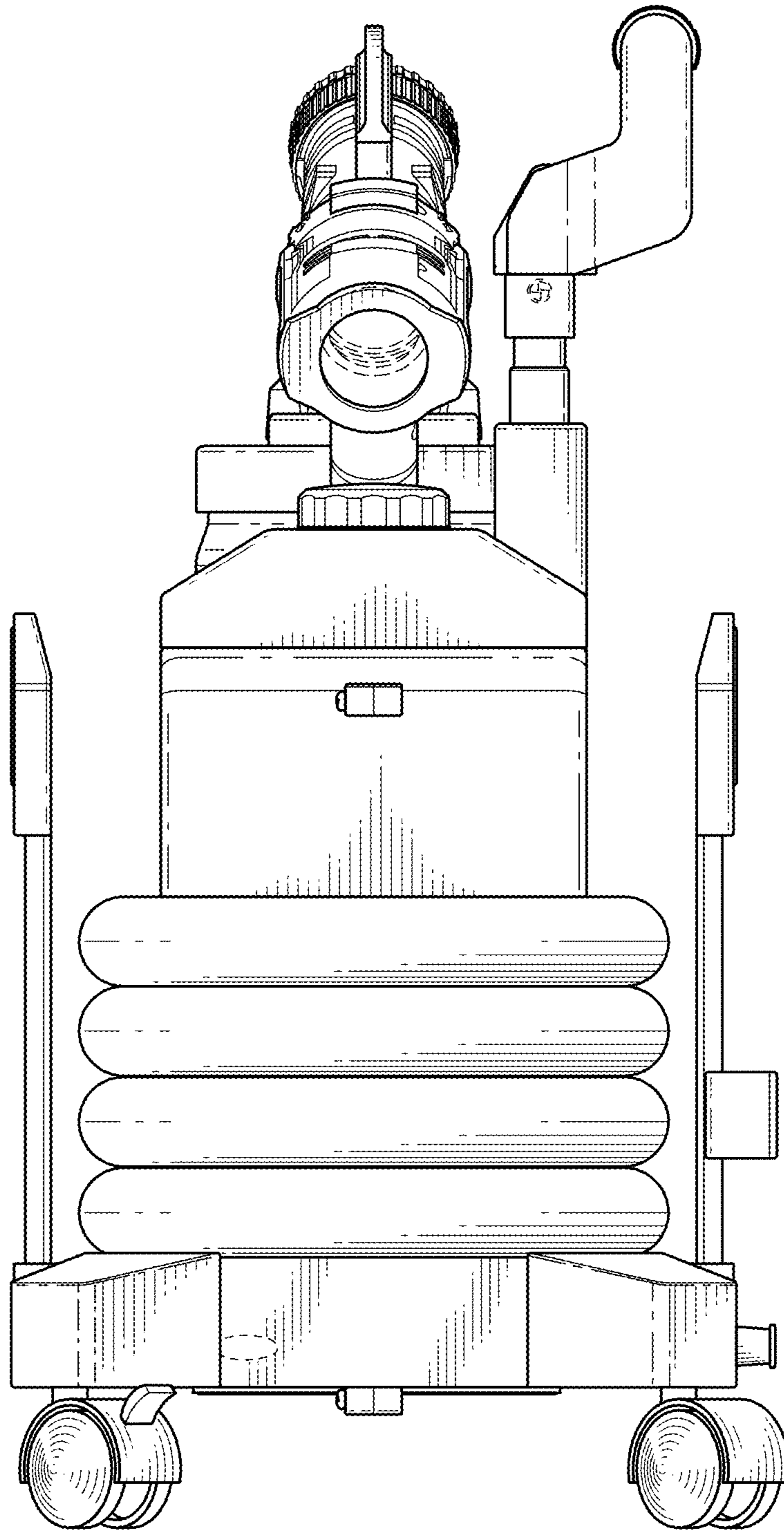


FIG. 3

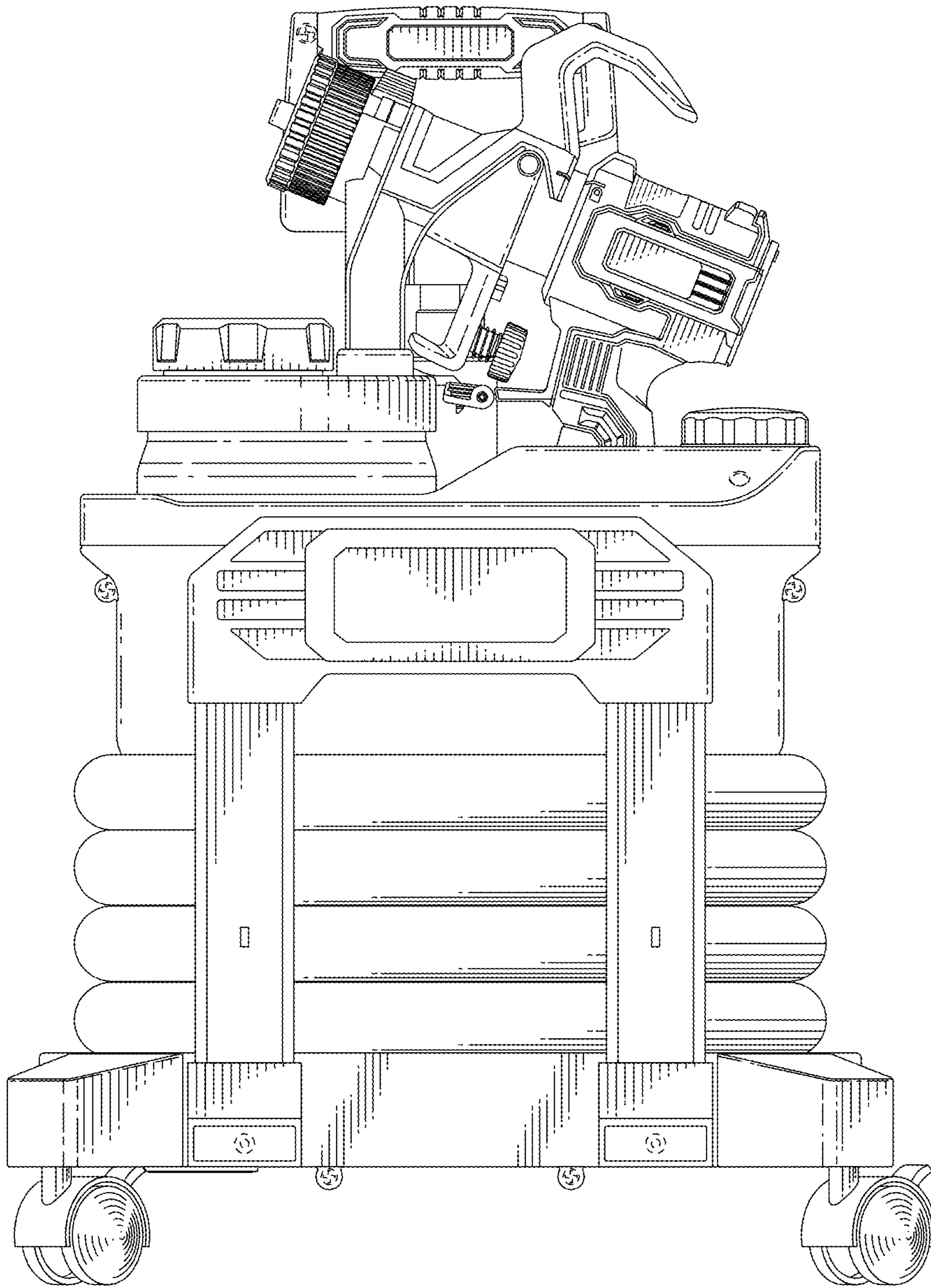


FIG. 4

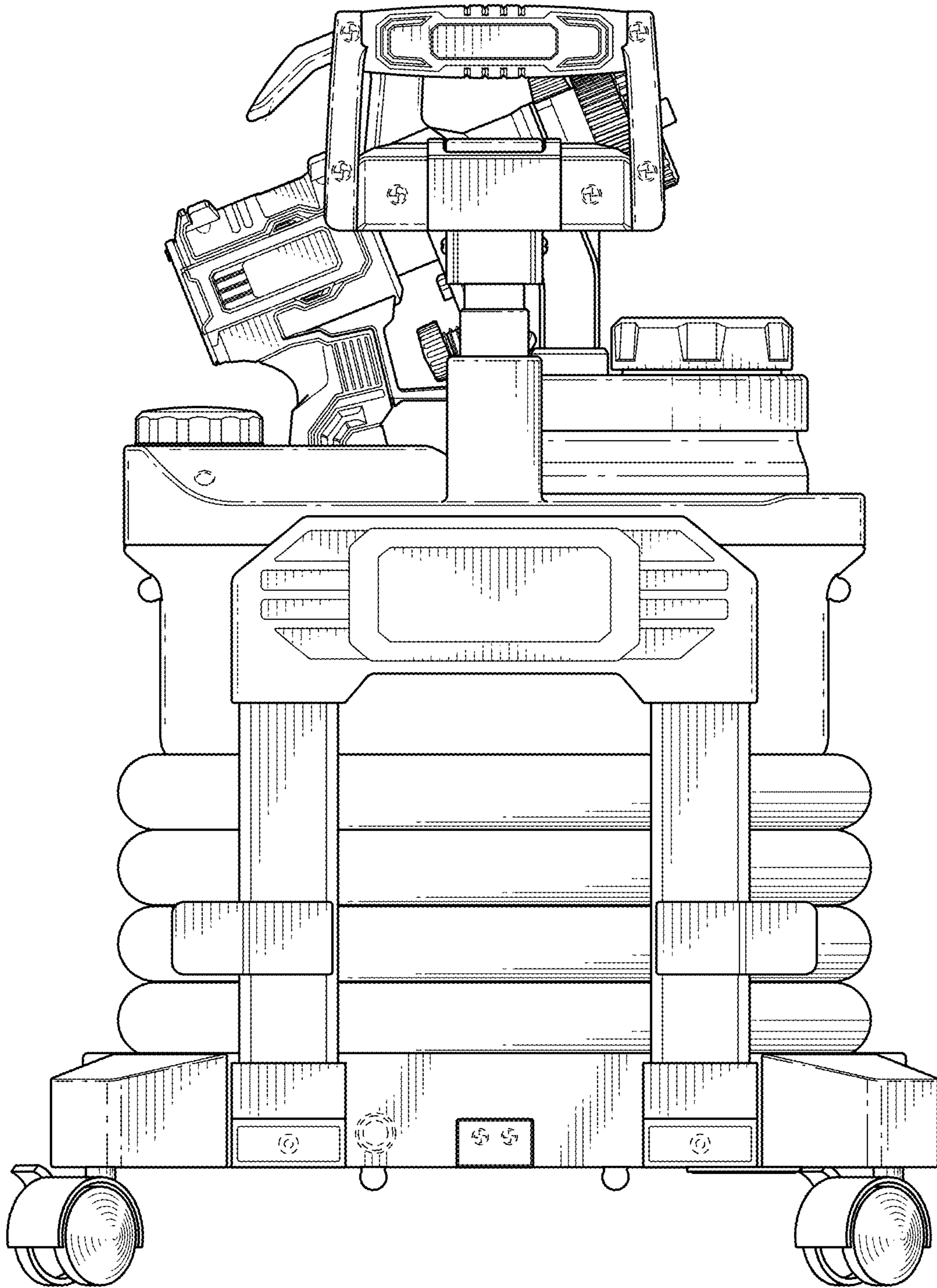


FIG. 5



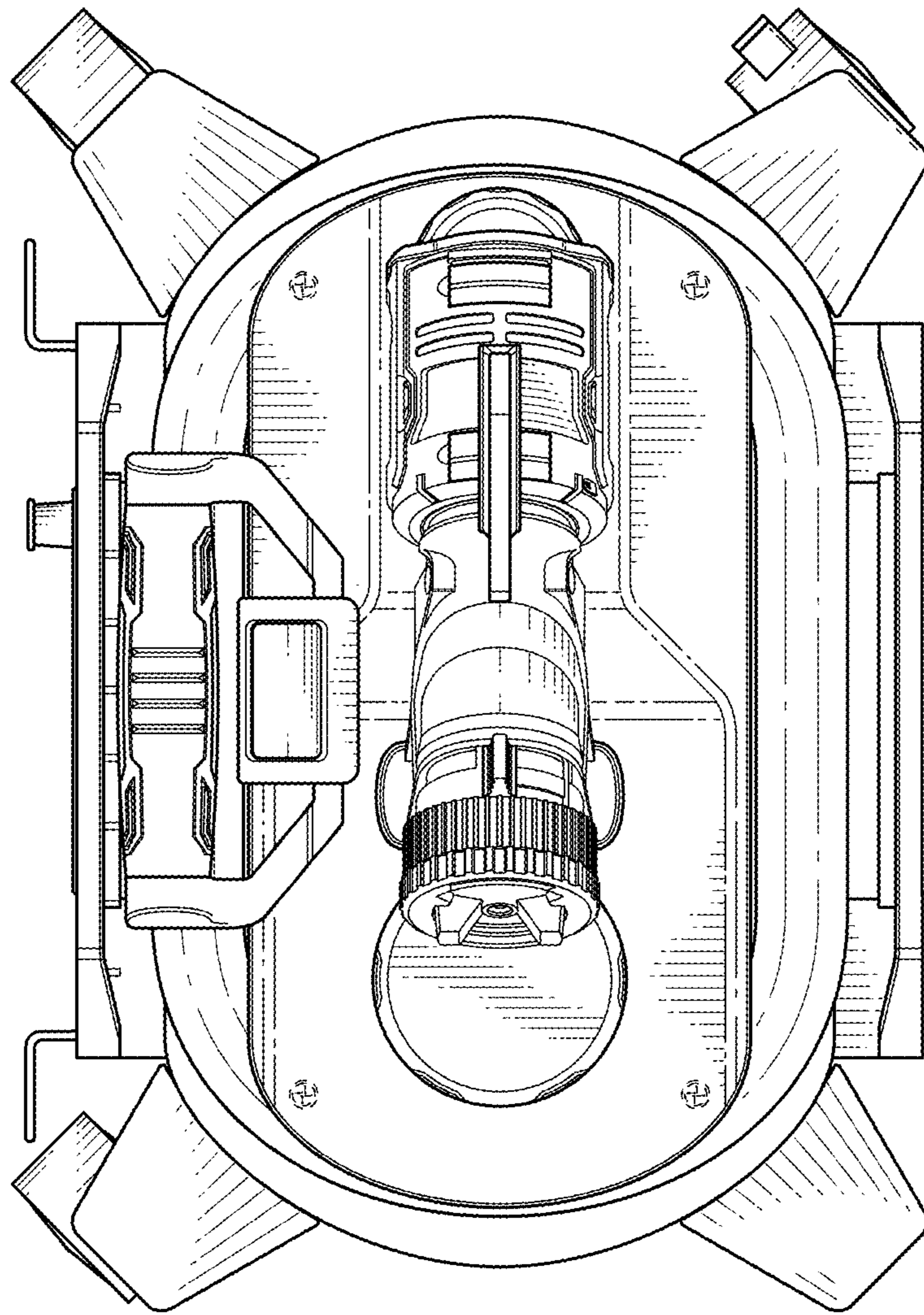


FIG. 6



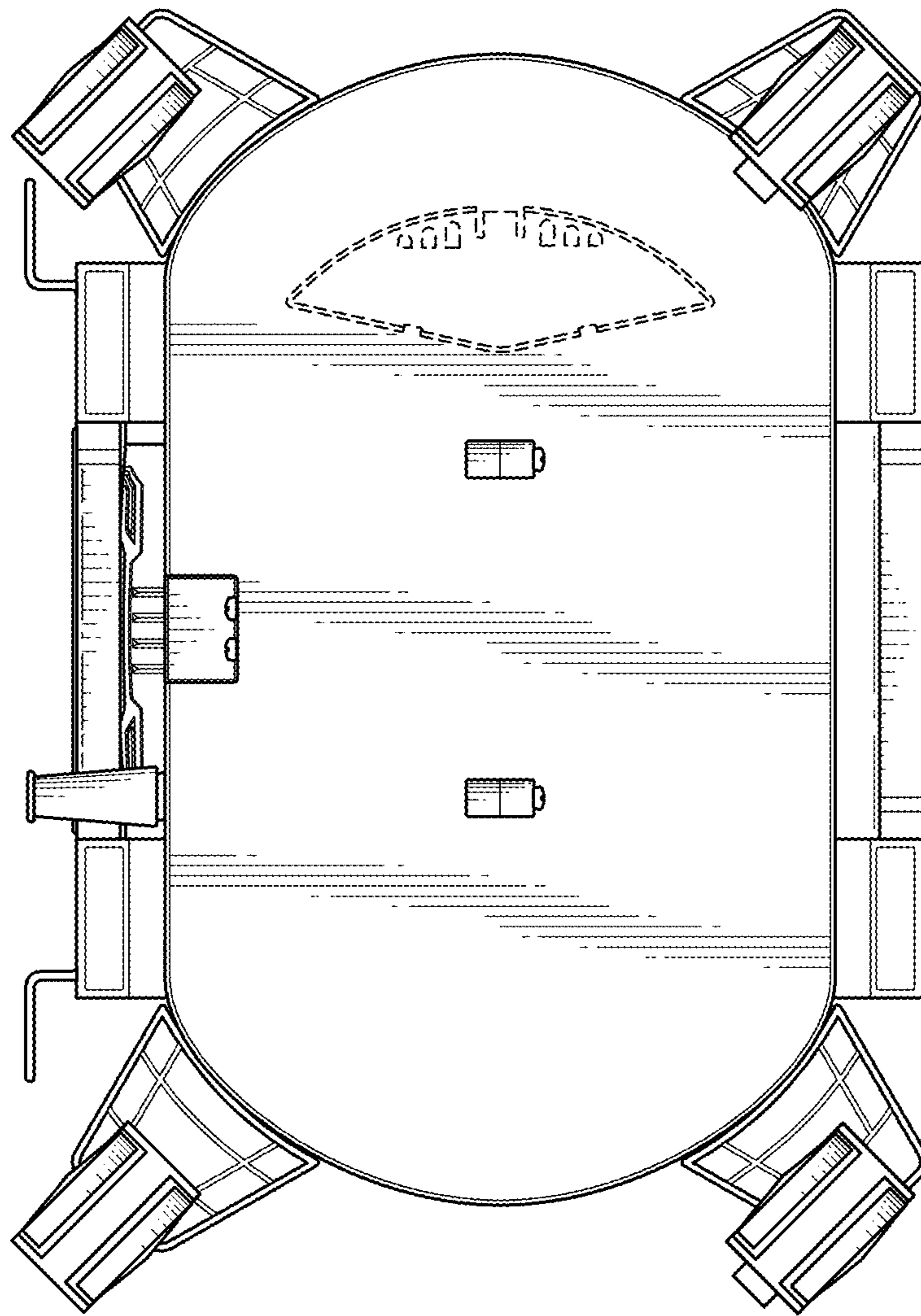


FIG. 7