



US00D958291S

(12) **United States Design Patent** (10) **Patent No.:** **US D958,291 S**
Corpuz, Jr. et al. (45) **Date of Patent:** **** Jul. 19, 2022**

- (54) **SHOWER DEVICE**
- (71) Applicant: **Kohler Co.**, Kohler, WI (US)
- (72) Inventors: **Roque M. Corpuz, Jr.**, Sheboygan, WI (US); **Brandon H. Miller**, Sheboygan, WI (US)
- (73) Assignee: **KOHLER CO.**, Kohler, WI (US)
- (**) Term: **15 Years**
- (21) Appl. No.: **29/829,181**
- (22) Filed: **Mar. 3, 2022**

8,713,725 B2 5/2014 Alder et al.
 D710,973 S * 8/2014 Madsen D23/229
 D730,488 S * 5/2015 Harwanko D23/229
 (Continued)

OTHER PUBLICATIONS

5-Setting High Pressure Shower Head Set, Rainfall Shower Combo Rain Shower Head, Jul. 20, 2020, amazon.ca, Mar. 31, 2022, URL: <https://www.amazon.ca/5-Setting-Pressure-Rainfall-Handheld-Sprayer/dp/B08D91CFZB/> (Year: 2020).*
 (Continued)

Primary Examiner — Jack Reickel
Assistant Examiner — Keith J Wilson
 (74) *Attorney, Agent, or Firm* — Foley & Lardner LLP

(57) **CLAIM**

We claim the ornamental design for a shower device, as shown and described.

DESCRIPTION

FIG. 1 is a perspective view of the claimed design;
 FIG. 2 is a front view of the claimed design shown in FIG. 1;
 FIG. 3 is a rear view of the claimed design shown in FIG. 1;
 FIG. 4 is a side view of the claimed design shown in FIG. 1;
 FIG. 5 is another side view of the claimed design shown in FIG. 1;
 FIG. 6 is a top view of the claimed design shown in FIG. 1;
 FIG. 7 is a bottom view of the claimed design shown in FIG. 1; and,
 FIG. 8 is a cross-sectional view of the claimed design shown in FIG. 1 taken along line 8-8 in FIG. 2.
 The ornamental design that is claimed is shown in the drawings as solid lines and surfaces having surface shading. The broken lines in the drawings represent portions of a shower device only and form no part of the claimed design.

Related U.S. Application Data

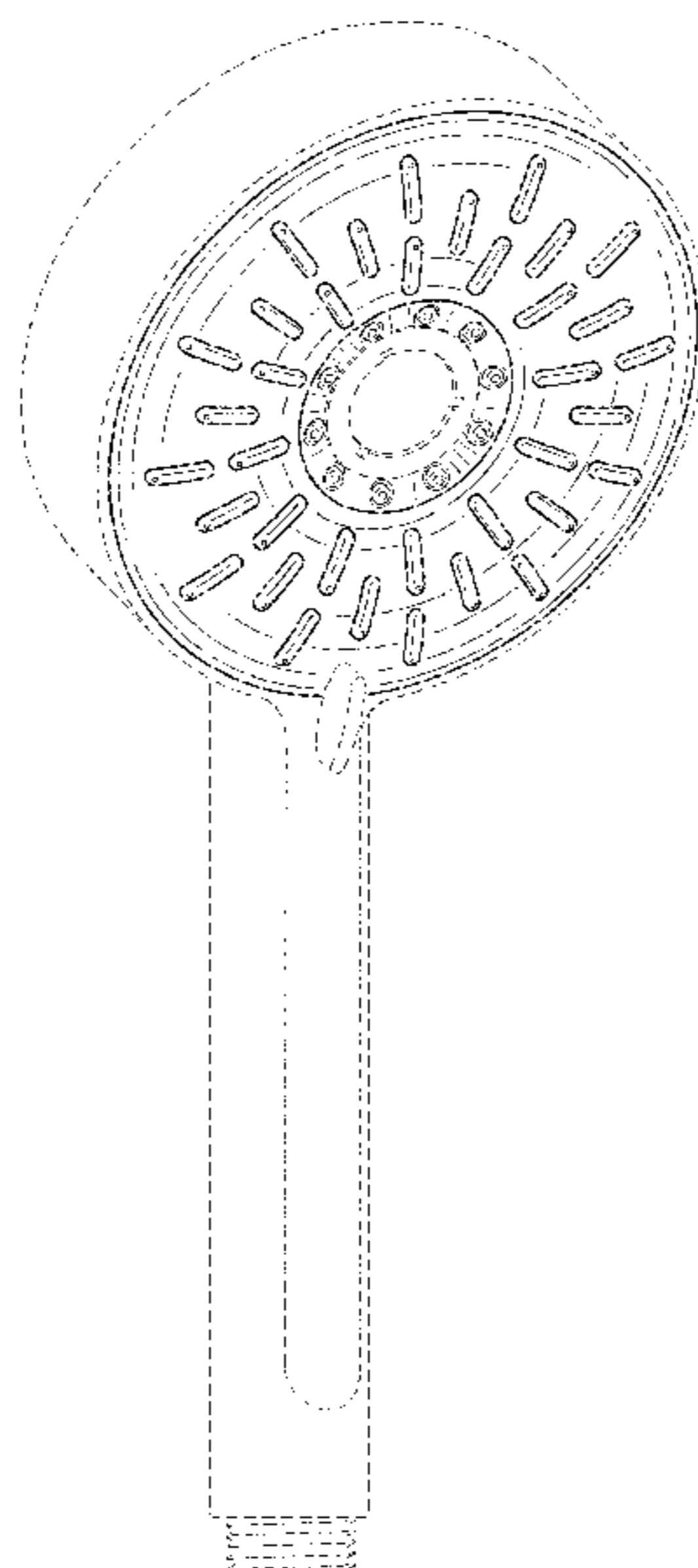
- (62) Division of application No. 29/695,578, filed on Jun. 20, 2019.
- (51) **LOC (13) Cl.** **23-01**
- (52) **U.S. Cl.**
USPC **D23/213**
- (58) **Field of Classification Search**
USPC D23/213, 214, 215, 223, 224, 226, 229, D23/230
CPC A61H 9/0021; A61H 33/00; B05B 1/00; B05B 1/14; B05B 1/185; B05B 1/08; B05B 1/02; B05B 1/26; B05B 12/002; B05B 1/18; B05B 9/01
See application file for complete search history.

(56) **References Cited**

U.S. PATENT DOCUMENTS

- 6,446,278 B1 9/2002 Lin
- 6,594,832 B2 7/2003 Yang
- D578,604 S 10/2008 Wu et al.
- D659,797 S 5/2012 Farley
- 8,205,846 B2 6/2012 Glunk
- D694,856 S * 12/2013 Madsen D23/229

1 Claim, 7 Drawing Sheets



(56)

References Cited

U.S. PATENT DOCUMENTS

D736,348 S 8/2015 Tan
 D749,694 S * 2/2016 Madsen D23/213
 9,677,257 B2 6/2017 Andersen et al.
 D822,157 S * 7/2018 L'Henaff D23/213
 D842,967 S 3/2019 Farley
 D861,129 S * 9/2019 Logar D23/223
 D864,350 S 10/2019 Logar
 D879,246 S * 3/2020 Eads D23/223
 D888,195 S 6/2020 Cocks et al.
 D890,298 S 7/2020 Pixton
 D892,268 S 8/2020 Wang et al.
 D901,632 S 11/2020 Wu et al.
 D901,633 S 11/2020 Wang et al.
 D908,836 S 1/2021 Wu
 11,000,860 B2 5/2021 Wu et al.
 11,014,115 B2 5/2021 Huang et al.
 D930,790 S 9/2021 Yan
 D934,381 S * 10/2021 Salvador D23/213
 D934,990 S 11/2021 Seum et al.
 D934,994 S 11/2021 Fantini
 D938,550 S 12/2021 Downey
 2007/0022528 A1 2/2007 Gilbert
 2013/0320116 A1 12/2013 Jonte et al.
 2017/0014849 A1 1/2017 Gao et al.
 2017/0173603 A1 6/2017 Lin et al.
 2017/0191249 A1 7/2017 Chen et al.

2018/0104707 A1 4/2018 Lin et al.
 2021/0129162 A1 5/2021 Quinn et al.
 2021/0187520 A1 6/2021 Hofman

OTHER PUBLICATIONS

Waterpik High Pressure Handheld Wand and Rain Shower Head Combo, Oct. 15, 2018, amazon.ca, Mar. 31, 2022, URL: <https://www.amazon.ca/Waterpik-YHW-433E-SBW-383ME-BodyWand-System-Shower/dp/B07JW54CS1/> (Year: 2018).
 Delta 59361-PK Hand Shower 1.75 GPM 4-Setting Handshower, Chrome, Sep. 11, 2020, amazon.ca, Mar. 31, 2022, URL: https://www.amazon.ca/dp/B0855HYQ6H/ref=sbl_dpx_ca-home-improvement-bathroom-handheld-showerheads_B09SZB7CRQ_0 (Year: 2020).
 Grohe 2757120E Tempesta Cosmopolitan 100 1.5 GPM 2 Spray Hand Shower, Starlight Chrome, Apr. 11, 2018, amazon.ca, Mar. 17, 2022, URL: https://www.amazon.ca/dp/B075RC834J/ref=sbl_dpx_ca-home-improvement-bathroom-handheld-showerheads_B097BKN3BS_0 (Year: 2018).
 Luxury High Pressure 5" Face 6 Setting Detachable Handheld Shower Head, Jul. 25, 2018, amazon.ca, Mar. 17, 2022, URL: <https://www.amazon.ca/Pressure-Detachable-Handheld-Stretches-Adjustable/dp/B07FLYBBGR/> (Year: 2018).
 Toto TBW01019U2#CP Showerheads, Polished Chrome, Feb. 13, 2019, amazon.ca, Mar. 17, 2022, URL: https://www.amazon.ca/dp/B07DWG7BG6/ref=sbl_dpx_ca-home-improvement-bathroom-handheld-showerheads_B09SZ9DBZJ_0(Year: 2019).

* cited by examiner

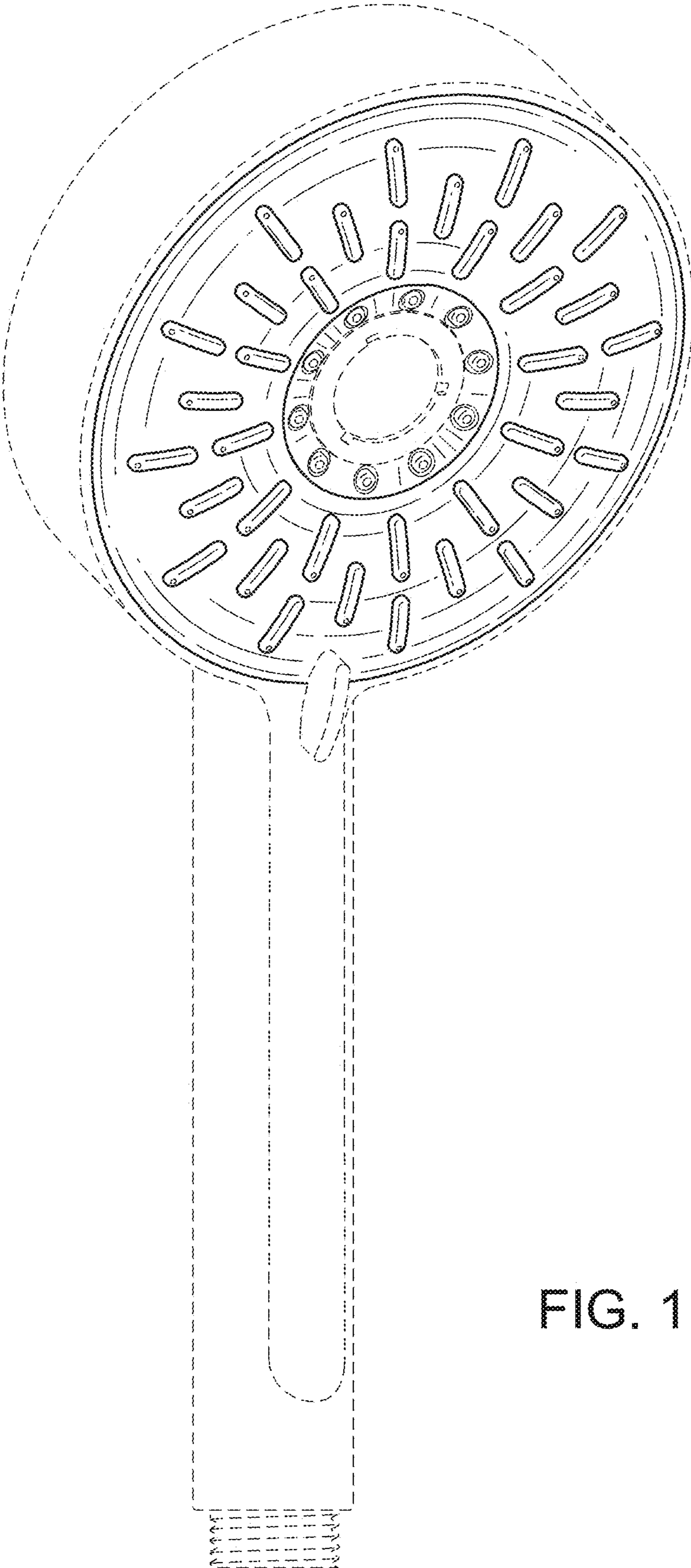


FIG. 1

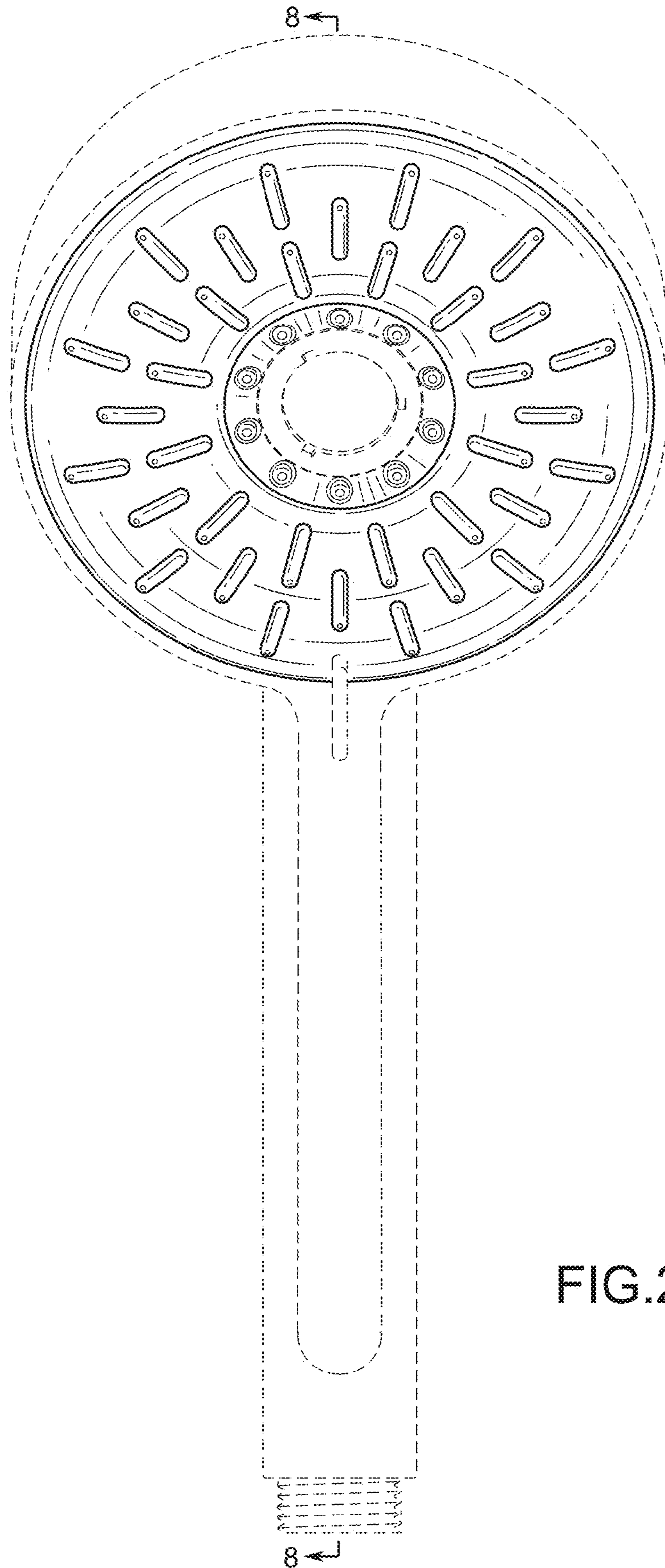


FIG.2

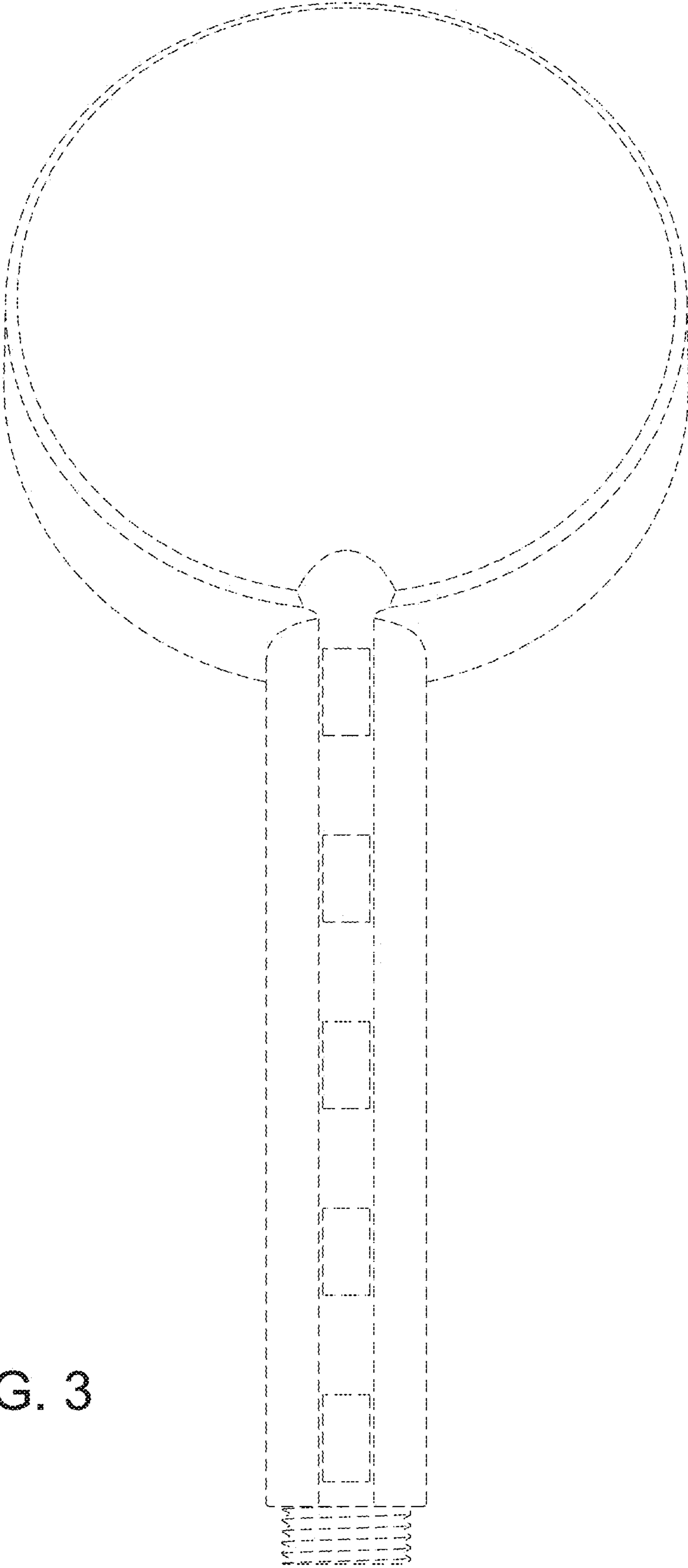


FIG. 3

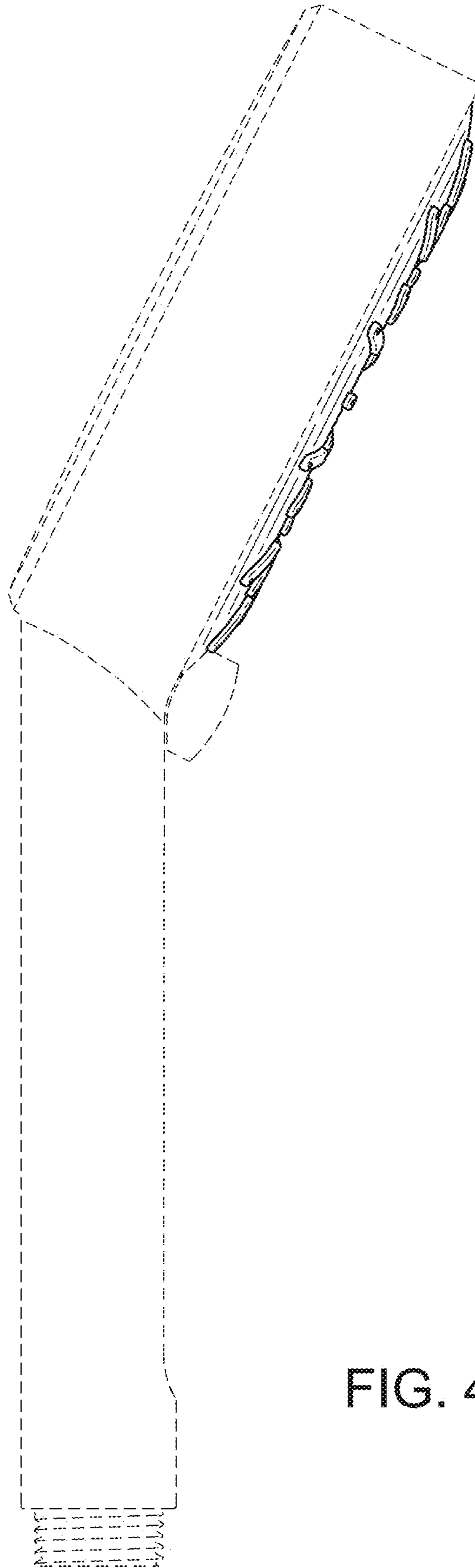


FIG. 4

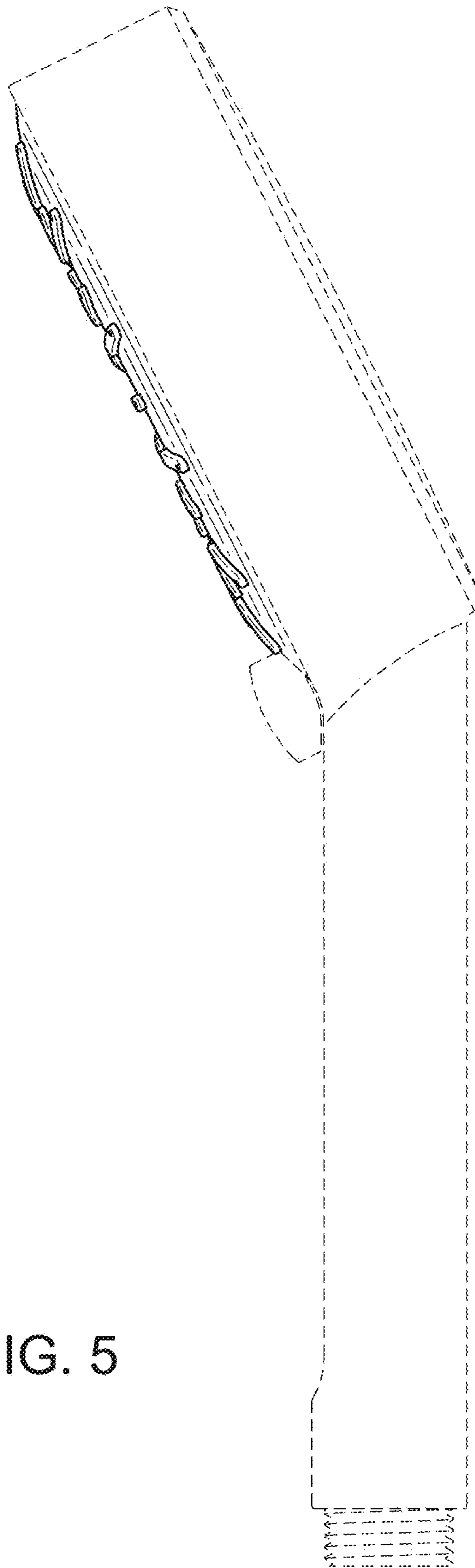


FIG. 5

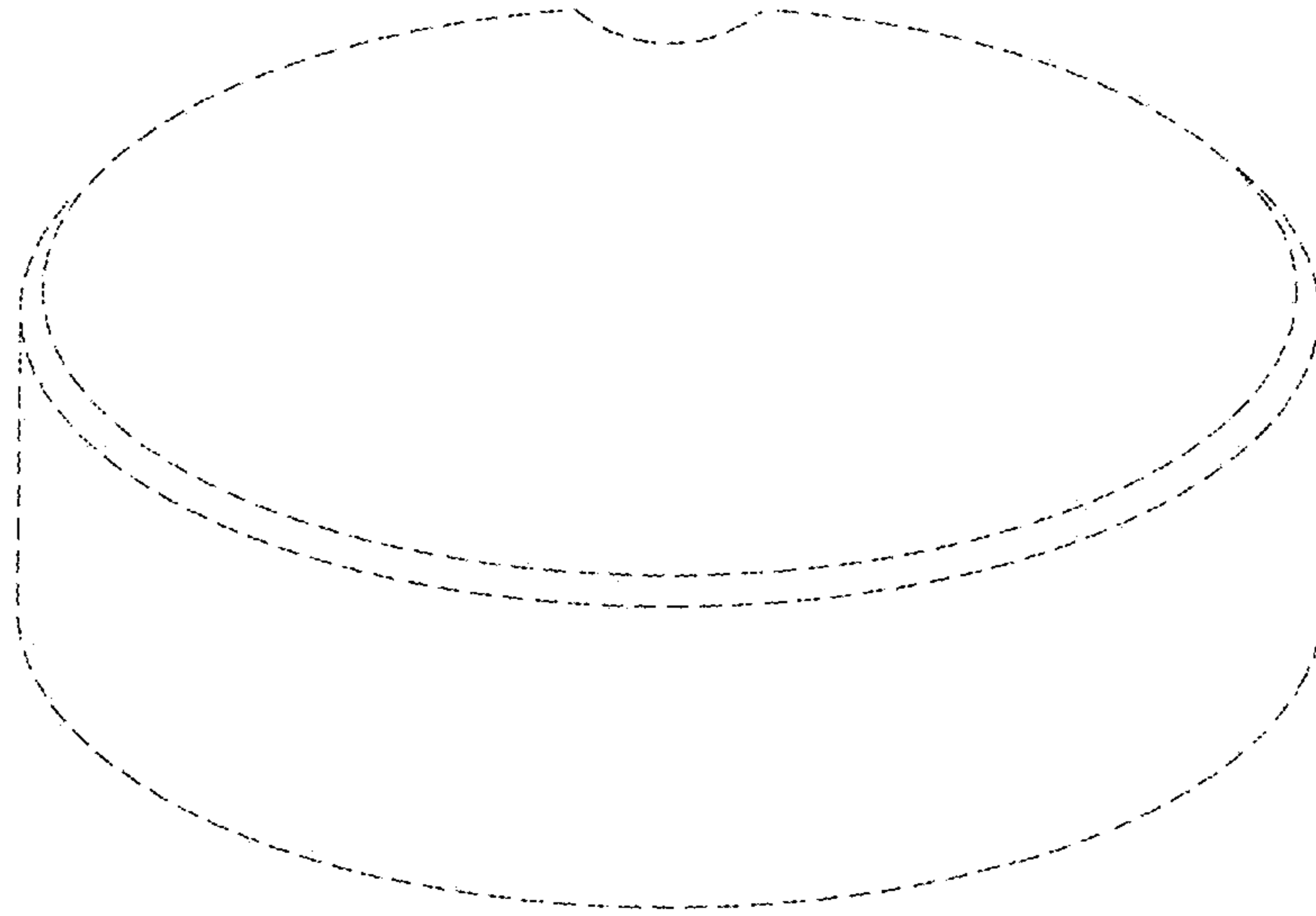


FIG. 6

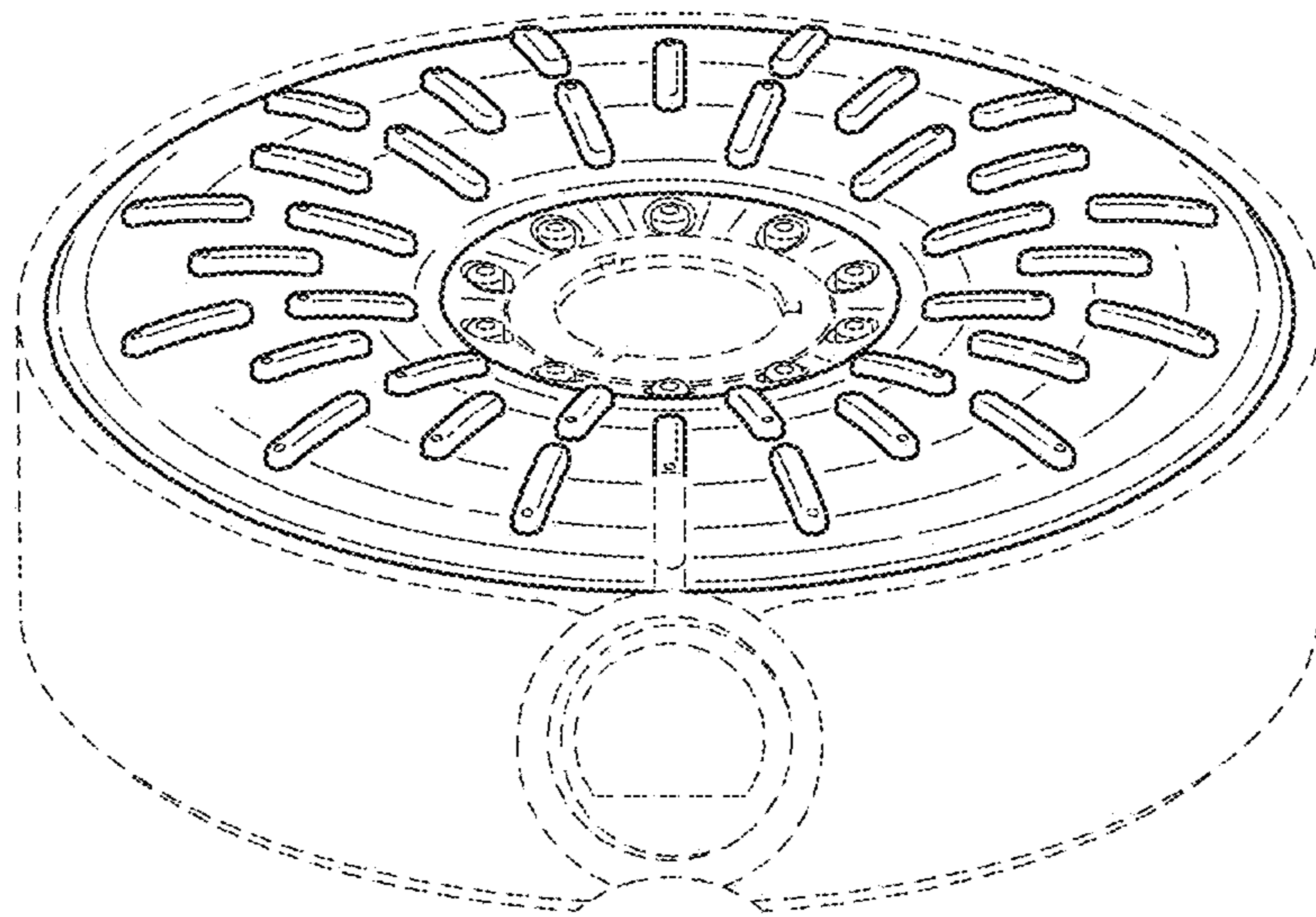


FIG. 7

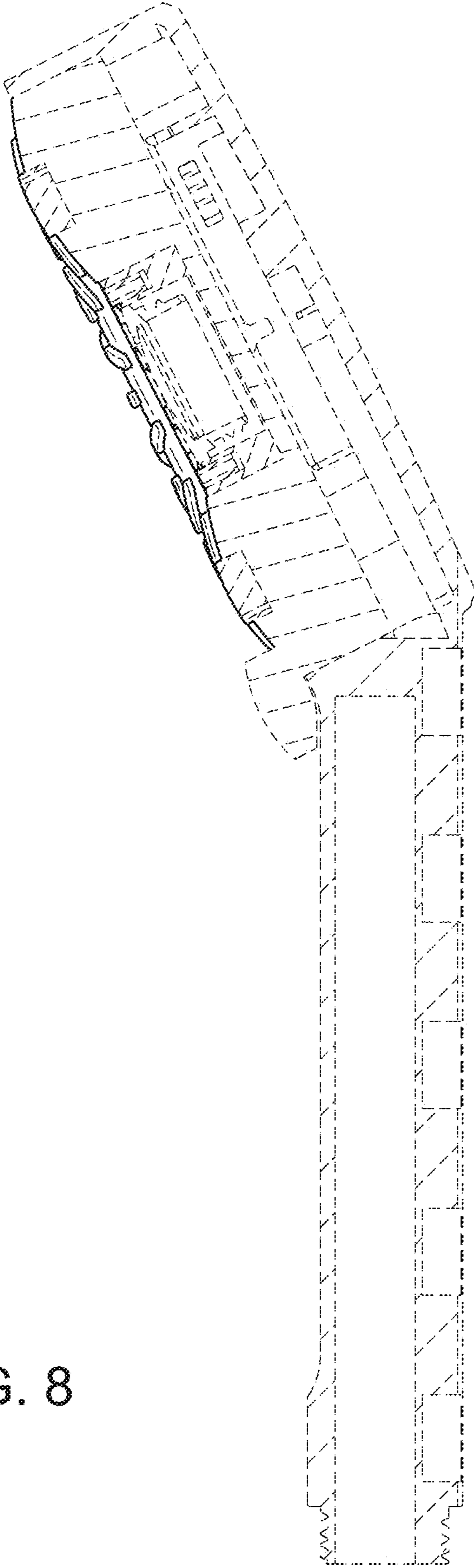


FIG. 8