



US00D958290S

(12) **United States Design Patent** (10) **Patent No.:** **US D958,290 S**  
**Corpuz, Jr. et al.** (45) **Date of Patent:** **\*\* Jul. 19, 2022**

(54) **SHOWER DEVICE** D710,973 S \* 8/2014 Madsen ..... D23/229  
D730,488 S \* 5/2015 Harwanko ..... D23/229  
D736,348 S 8/2015 Tan  
D749,694 S \* 2/2016 Madsen ..... D23/213  
9,677,257 B2 6/2017 Andersen et al.  
(71) Applicant: **Kohler Co.**, Kohler, WI (US) D822,157 S \* 7/2018 L'Henaff ..... D23/213  
D842,967 S 3/2019 Farley  
(72) Inventors: **Roque M. Corpuz, Jr.**, Sheboygan, WI D861,129 S \* 9/2019 Logar ..... D23/223  
(US); **Brandon H. Miller**, Sheboygan,  
WI (US)  
(73) Assignee: **KOHLER CO.**, Kohler, WI (US)  
(\*\*) Term: **15 Years**  
(21) Appl. No.: **29/829,178**  
(22) Filed: **Mar. 3, 2022**

(Continued)

**OTHER PUBLICATIONS**

5-Setting High Pressure Shower Head Set, Rainfall Shower Combo Rain Shower Head, Jul. 20, 2020, amazon.ca, Mar. 31, 2022, URL: <https://www.amazon.ca/5-Setting-Pressure-Rainfall-Handheld-Sprayer/dp/B08D91CFZB/> (Year: 2020).\*

(Continued)

**Related U.S. Application Data**

(62) Division of application No. 29/695,578, filed on Jun. 20, 2019.  
(51) **LOC (13) Cl.** ..... **23-01**  
(52) **U.S. Cl.**  
USPC ..... **D23/213**  
(58) **Field of Classification Search**  
USPC ..... D23/213, 214, 215, 223, 224, 226, 229, D23/230  
CPC ..... A61H 9/0021; A61H 33/00; B05B 1/00; B05B 1/14; B05B 1/185; B05B 1/08; B05B 1/02; B05B 1/26; B05B 12/002; B05B 1/18; B05B 9/01  
See application file for complete search history.

*Primary Examiner* — Jack Reickel  
*Assistant Examiner* — Keith J Wilson  
(74) *Attorney, Agent, or Firm* — Foley & Lardner LLP

(57) **CLAIM**

We claim the ornamental design for a shower device, as shown and described.

**DESCRIPTION**

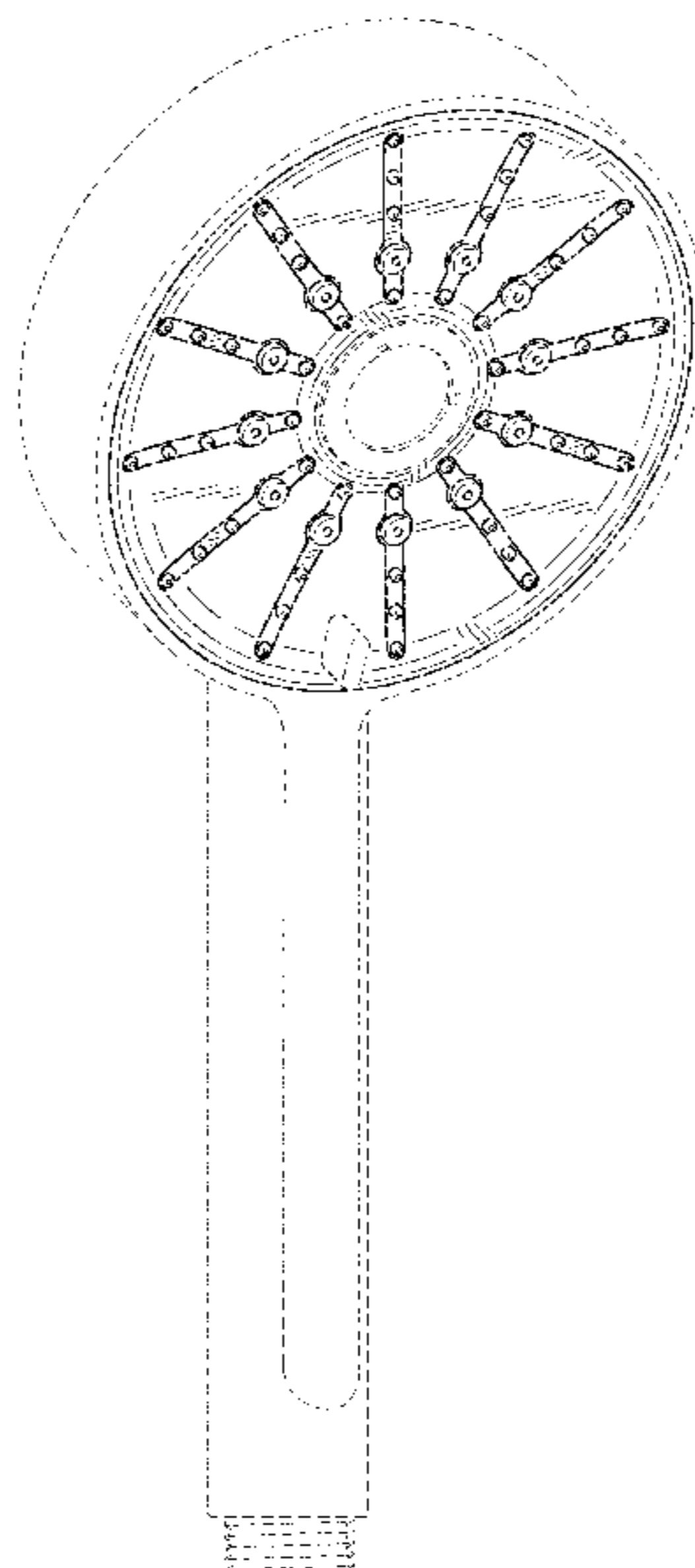
FIG. 1 is a perspective view of the claimed design; FIG. 2 is a front view of the design shown in FIG. 1; FIG. 3 is a rear view of the design shown in FIG. 1; FIG. 4 is a side view of the design shown in FIG. 1; FIG. 5 is a top view of the design shown in FIG. 1; FIG. 6 is a bottom view of the design shown in FIG. 1; and, FIG. 7 is a cross-sectional view of the design shown in FIG. 1 taken along line 7-7 in FIG. 2.

The ornamental design that is claimed is shown in the drawings as solid lines and surfaces having surface shading. The broken lines in the drawings represent portions of a shower device only and form no part of the claimed design.

**1 Claim, 6 Drawing Sheets**

(56) **References Cited**  
U.S. PATENT DOCUMENTS

6,446,278 B1 9/2002 Lin  
6,594,832 B2 7/2003 Yang  
D578,604 S 10/2008 Wu et al.  
D659,797 S 5/2012 Farley  
8,205,846 B2 6/2012 Glunk  
D694,856 S \* 12/2013 Madsen ..... D23/229  
8,713,725 B2 5/2014 Alder et al.



(56)

References Cited

OTHER PUBLICATIONS

U.S. PATENT DOCUMENTS

D864,350	S	10/2019	Logar	
D879,246	S	* 3/2020	Eads .....	D23/223
D888,195	S	6/2020	Cocks et al.	
D890,298	S	7/2020	Pixton	
D892,268	S	8/2020	Wang et al.	
D901,632	S	11/2020	Wu et al.	
D901,633	S	11/2020	Wang et al.	
D908,836	S	1/2021	Wu	
11,000,860	B2	5/2021	Wu et al.	
11,014,115	B2	5/2021	Huang et al.	
D930,790	S	9/2021	Yan	
D934,381	S	* 10/2021	Salvador .....	D23/213
D934,990	S	11/2021	Seum et al.	
D934,994	S	11/2021	Fantini	
D938,550	S	12/2021	Downey	
2007/0022528	A1	2/2007	Gilbert	
2013/0320116	A1	12/2013	Jonte et al.	
2017/0014849	A1	1/2017	Gao et al.	
2017/0173603	A1	6/2017	Lin et al.	
2017/0191249	A1	7/2017	Chen et al.	
2018/0104707	A1	4/2018	Lin et al.	
2021/0129162	A1	5/2021	Quinn et al.	
2021/0187520	A1	6/2021	Hofman	

Waterpik High Pressure Handheld Wand and Rain Shower Head Combo, Oct. 15, 2018, amazon.ca, Mar. 31, 2022, URL: <https://www.amazon.ca/Waterpik-YHW-433E-SBW-383ME-BodyWand-System-Shower/dp/B07JW54CS1/> (Year: 2018).\*

Delta 59361-PK Hand Shower 1.75 GPM 4-Setting Handshower, Chrome, Sep. 11, 2020, amazon.ca, Mar. 31, 2022, URL: [https://www.amazon.ca/dp/B0855HYQ6H/ref=sbl\\_dpx\\_ca-home-improvement-bathroom-handheld-showerheads\\_B09SZB7CRQ\\_0](https://www.amazon.ca/dp/B0855HYQ6H/ref=sbl_dpx_ca-home-improvement-bathroom-handheld-showerheads_B09SZB7CRQ_0) (Year: 2020).\*

Grohe 2757120E Tempesta Cosmopolitan 100 1.5 GPM 2 Spray Hand Shower, Starlight Chrome, Apr. 11, 2018, amazon.ca, Mar. 17, 2022, URL: [https://www.amazon.ca/dp/B075RC834J/ref=sbl\\_dpx\\_ca-home-improvement-bathroom-handheld-showerheads\\_B097BKN3BS\\_0](https://www.amazon.ca/dp/B075RC834J/ref=sbl_dpx_ca-home-improvement-bathroom-handheld-showerheads_B097BKN3BS_0) (Year: 2018).

Luxury High Pressure 5" Face 6 Setting Detachable Handheld Shower Head, Jul. 25, 2018, amazon.ca, Mar. 17, 2022, URL: <https://www.amazon.ca/Pressure-Detachable-Handheld-Stretches-Adjustable/dp/B07FLYBBGR/> (Year: 2018).

Toto TBW01019U2#CP Showerheads, Polished Chrome, Feb. 13, 2019, amazon.ca, Mar. 17, 2022, URL: [https://www.amazon.ca/dp/B07DWG7BG6/ref=sbl\\_dpx\\_ca-home-improvement-bathroom-handheld-showerheads\\_B09SZ9DBZJ\\_0](https://www.amazon.ca/dp/B07DWG7BG6/ref=sbl_dpx_ca-home-improvement-bathroom-handheld-showerheads_B09SZ9DBZJ_0) (Year: 2019).

\* cited by examiner

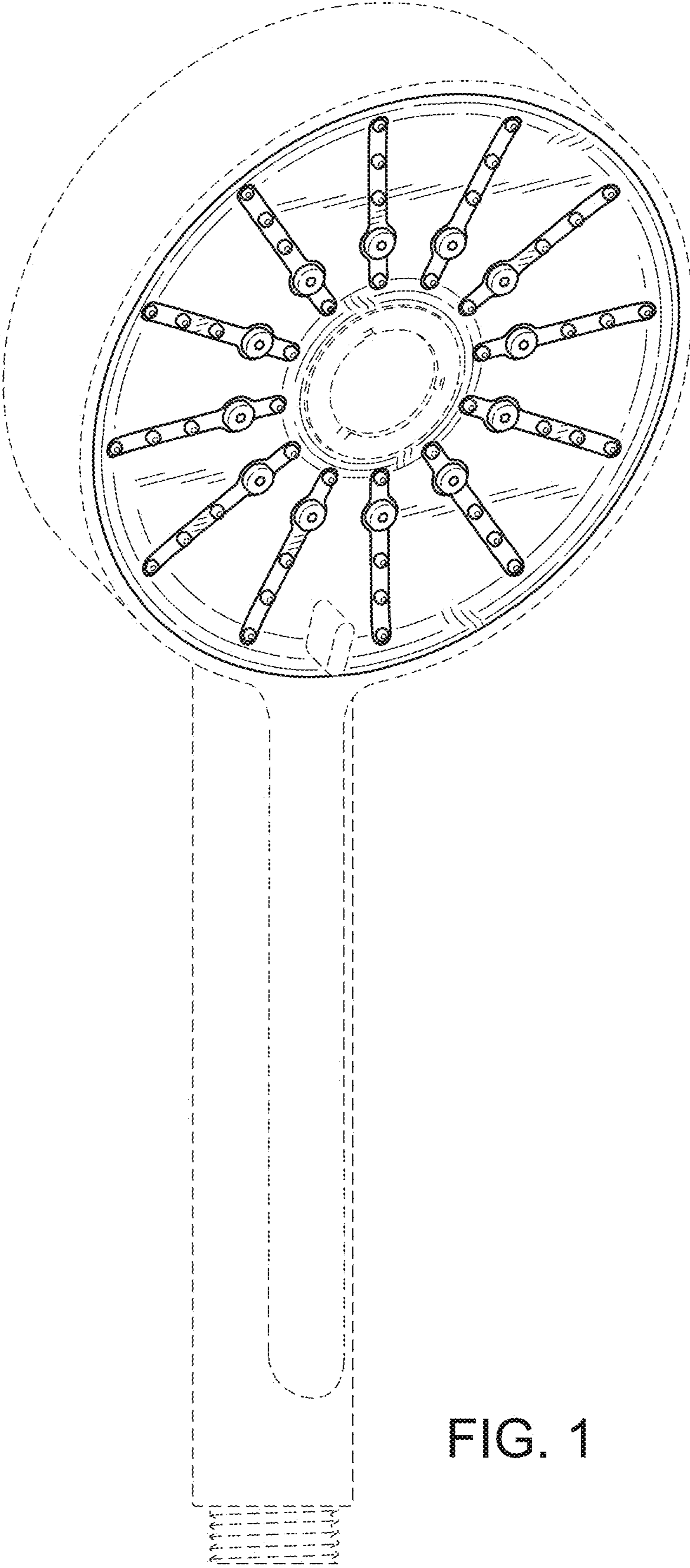


FIG. 1

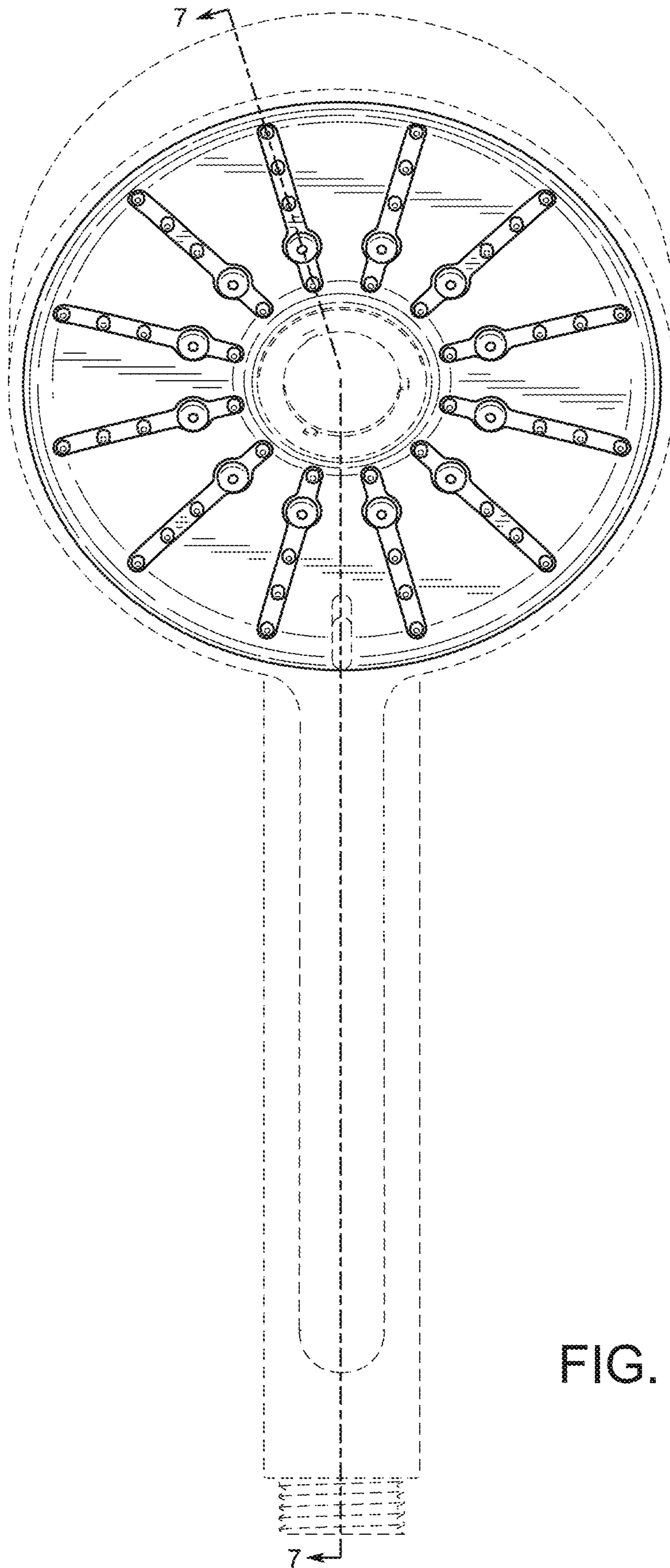


FIG. 2

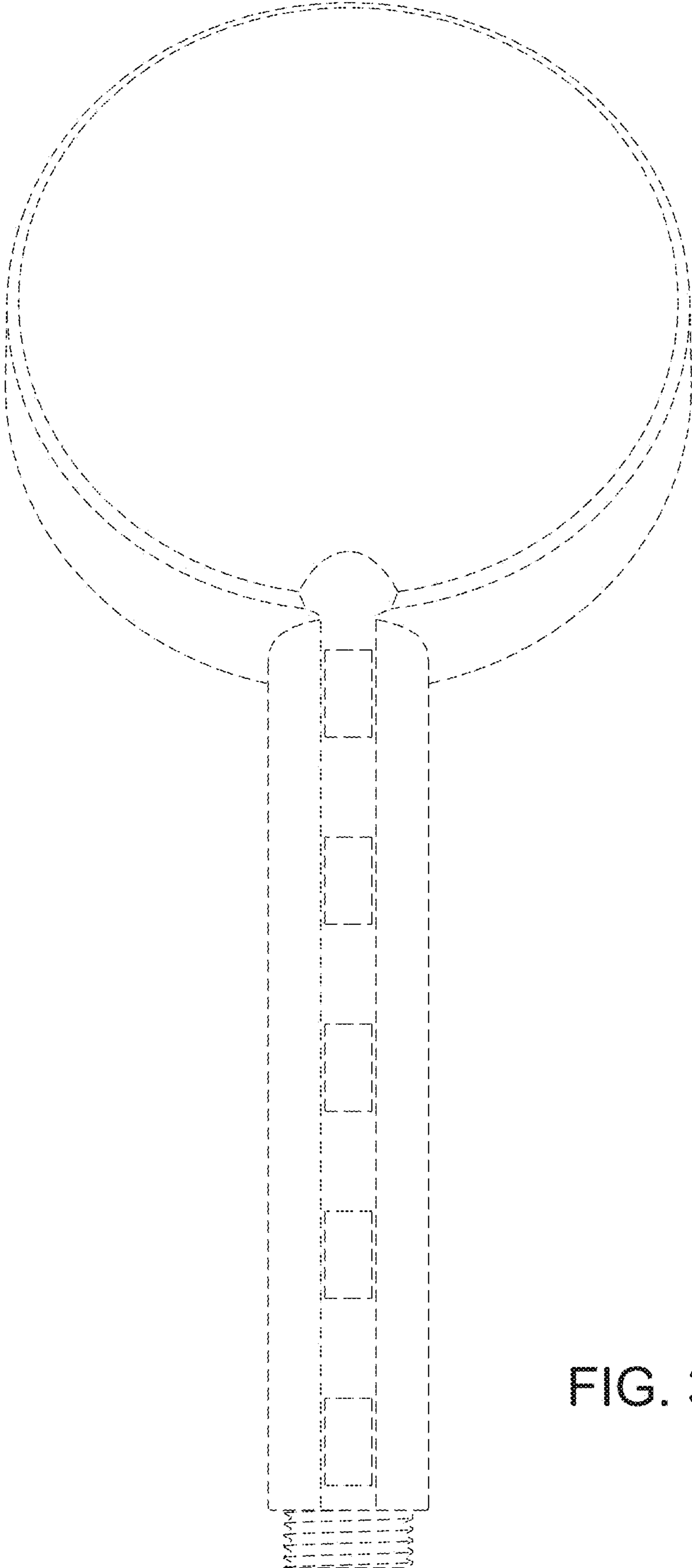


FIG. 3

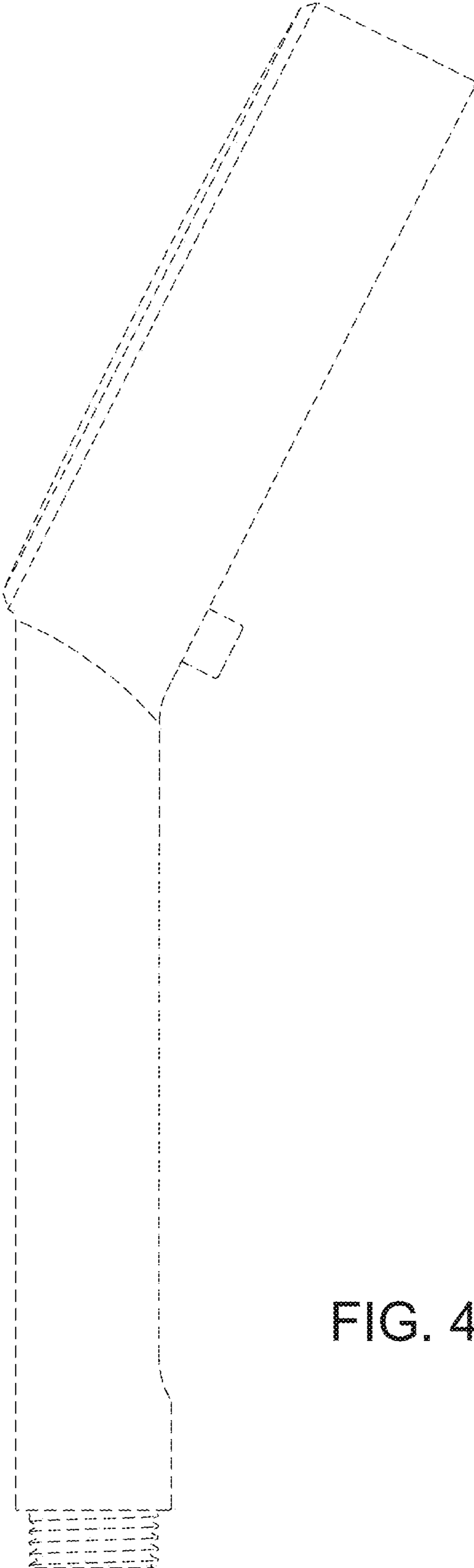


FIG. 4

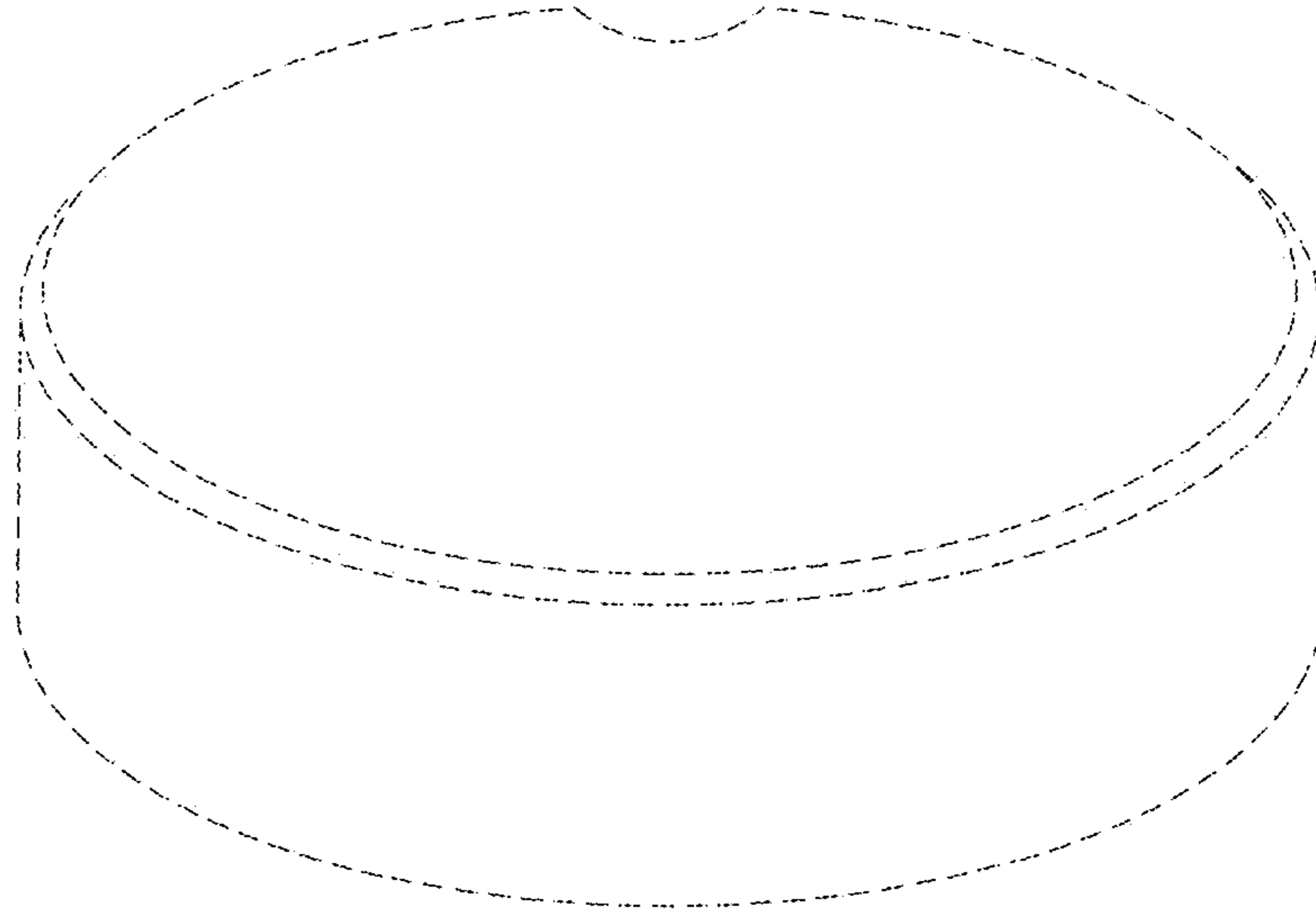


FIG. 5

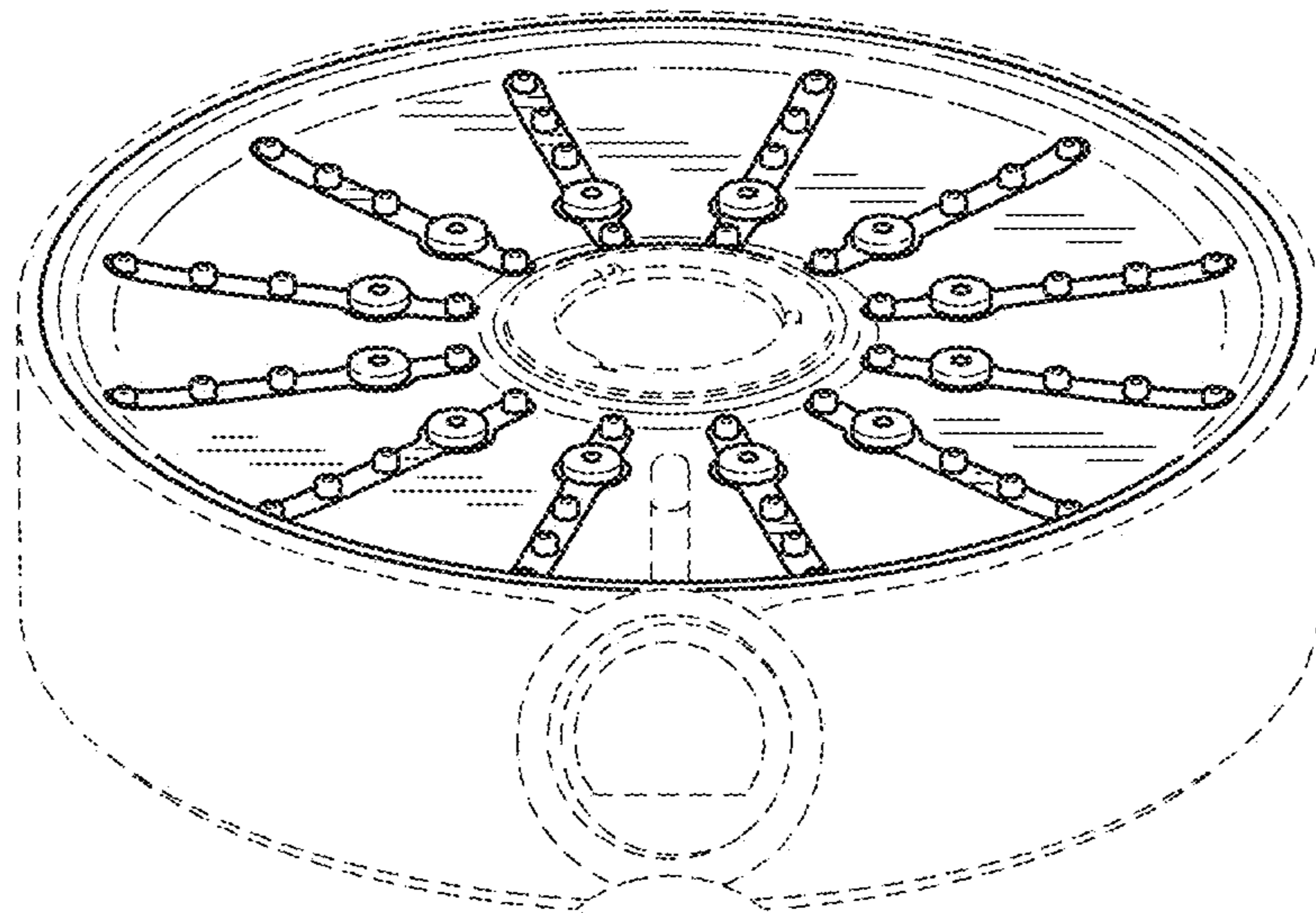


FIG. 6

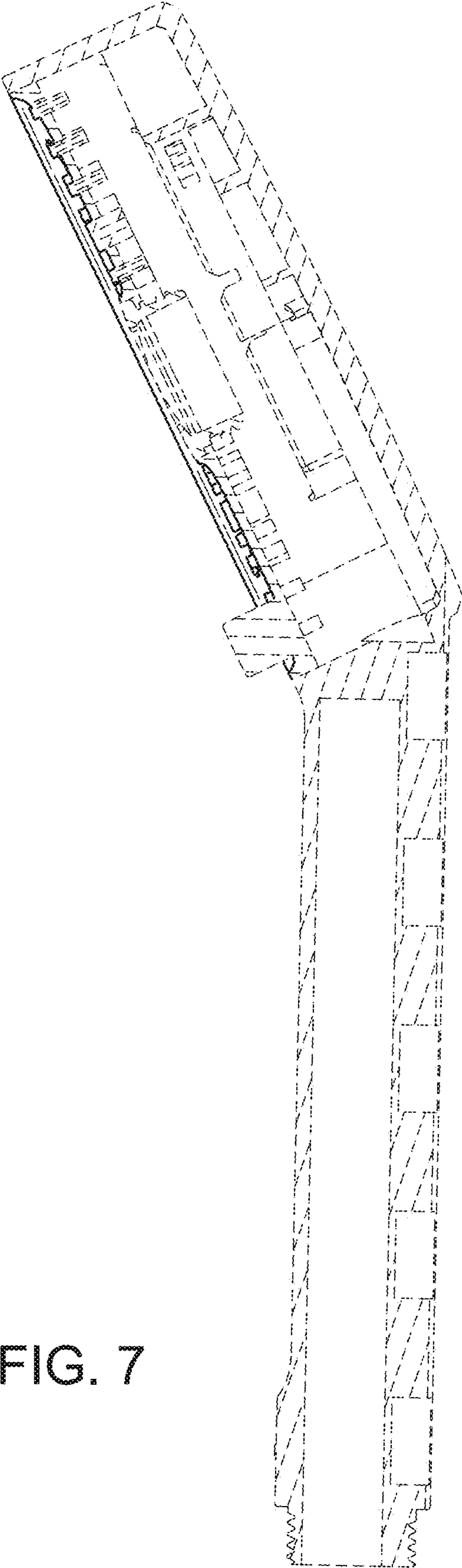


FIG. 7