



US00D958288S

(12) **United States Design Patent** (10) **Patent No.:** **US D958,288 S**
De Azevedo et al. (45) **Date of Patent:** **** Jul. 19, 2022**

(54) **FILTER DEVICE**

(71) Applicant: **Mahle International GmbH**, Stuttgart (DE)

(72) Inventors: **Edson Valdomiro De Azevedo**, Rochester Hills, MI (US); **Fernando Jun Yoshino**, Rochester, MI (US)

(73) Assignee: **Mahle International GmbH**

(**) Term: **15 Years**

(21) Appl. No.: **29/754,363**

(22) Filed: **Oct. 9, 2020**

(51) **LOC (13) Cl.** **23-01**

(52) **U.S. Cl.**
USPC **D23/209**

(58) **Field of Classification Search**
USPC D23/207, 209, 210, 235, 355, 363, 365;
D24/162
CPC B01D 27/00; B01D 27/08; B01D 29/00;
B01D 2201/305; B01D 2221/309; C02F
2307/10
See application file for complete search history.

6,409,804 B1 6/2002 Cook et al.
6,706,181 B1 3/2004 Baumann et al.
D497,972 S * 11/2004 Reynolds D23/209
6,835,305 B1 12/2004 Baumann et al.
6,936,169 B2 8/2005 Baumann et al.
7,237,681 B2 7/2007 Brieden et al.

(Continued)

FOREIGN PATENT DOCUMENTS

DE 3903675 A1 8/1990
DE 3941996 A1 6/1991

(Continued)

OTHER PUBLICATIONS

Bosch P9192, Jul. 14, 2011, Amazon, site visited Feb. 24, 2022:
<https://www.amazon.co.uk/dp/B005MN7BMA> (Year: 2011).*

(Continued)

Primary Examiner — Jack Reickel
Assistant Examiner — Bobby W Jones, II
(74) *Attorney, Agent, or Firm* — Fishman Stewart PLLC

(57) **CLAIM**

The ornamental design for a filter device, as shown and described.

DESCRIPTION

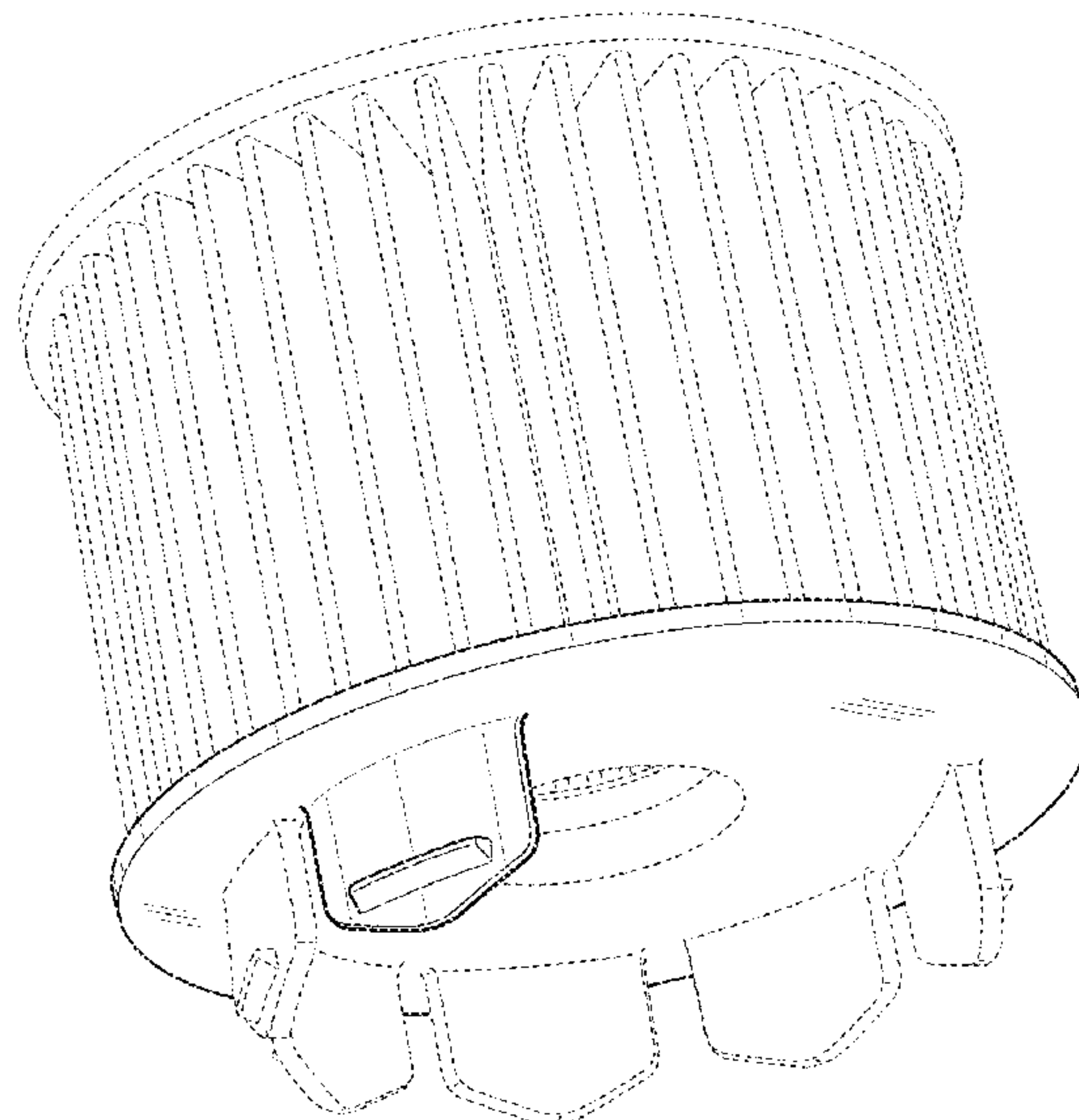
FIG. 1 is a top perspective view of a filter device;
FIG. 2 is a bottom perspective view of a filter device;
FIG. 3 is a front view of a filter device;
FIG. 4 is a back view of a filter device;
FIG. 5 is a left view of a filter device;
FIG. 6 is a right view of a filter device;
FIG. 7 is a top view of a filter device; and,
FIG. 8 is a bottom view of a filter device.
The broken line showing of a filter device is include for the purpose of illustrating portions of the article and forms no part of the claimed design.

1 Claim, 8 Drawing Sheets

(56) **References Cited**

U.S. PATENT DOCUMENTS

3,312,350 A 4/1967 Kasten
3,465,883 A 9/1969 Jumper
3,502,218 A 3/1970 Tuffnell et al.
4,497,714 A 2/1985 Harris
4,502,955 A 3/1985 Schaupp
4,619,764 A 10/1986 Church et al.
5,089,129 A 2/1992 Brigman
5,548,893 A 8/1996 Koelfgen
5,814,215 A 9/1998 Bruss et al.
6,139,738 A 10/2000 Maxwell
D439,962 S * 4/2001 Gieseke D23/365
D440,293 S * 4/2001 Gieseke D23/365
6,251,273 B1 6/2001 Jawurek et al.



(56)

References Cited

U.S. PATENT DOCUMENTS

7,527,739 B2 5/2009 Jiang et al.
 8,673,138 B2 3/2014 Braunheim
 9,108,125 B2 8/2015 Braunheim
 D739,513 S * 9/2015 Williams D23/365
 9,205,355 B2 12/2015 Deschamps et al.
 9,212,576 B2 * 12/2015 Hirsch F01M 11/03
 9,320,992 B2 4/2016 Braunheim
 9,333,448 B2 * 5/2016 Braunheim F02M 37/42
 9,718,010 B2 * 8/2017 Byun B01D 35/147
 9,810,373 B2 11/2017 Braunheim
 10,035,090 B2 7/2018 Kollmann et al.
 10,371,108 B2 8/2019 Braunheim
 10,406,462 B2 9/2019 Kollmann et al.
 10,451,199 B2 * 10/2019 Berger F16L 5/10
 10,556,199 B2 2/2020 Luchesi De Almeida et al.
 10,576,402 B2 3/2020 Luchesi De Almeida et al.
 10,646,811 B2 5/2020 Luchesi De Almeida et al.
 D920,470 S * 5/2021 Woytach D23/209
 2005/0274664 A1 12/2005 Stoehr et al.
 2006/0006124 A1 * 1/2006 Yates B01D 35/147
 210/791
 2007/0084776 A1 4/2007 Sasur
 2007/0240390 A1 10/2007 Becker et al.
 2008/0024719 A1 1/2008 Kamishita et al.
 2009/0008321 A1 1/2009 Tanner et al.
 2011/0017649 A1 1/2011 Sasur
 2011/0089091 A1 4/2011 Grass et al.
 2012/0012513 A1 * 1/2012 Jokschas B01D 36/003
 210/232
 2012/0234743 A1 * 9/2012 Braunheim B01D 36/003
 210/232
 2013/0193054 A1 * 8/2013 Beard B01D 29/21
 210/232
 2013/0256206 A1 * 10/2013 Thalmann B01D 35/306
 210/232
 2014/0041346 A1 * 2/2014 Girondi B01D 29/15
 55/480
 2014/0284268 A1 * 9/2014 Volkmer B01D 29/58
 210/493.2
 2016/0332095 A1 * 11/2016 Abdalla B01D 27/08
 2017/0106314 A1 * 4/2017 Stamey, Jr. B01D 29/21
 2017/0106317 A1 * 4/2017 Stamey, Jr. B01D 29/58
 2017/0197162 A1 * 7/2017 Abdalla B01D 36/003
 2018/0161707 A1 * 6/2018 Roesgen F02M 37/42
 2018/0193780 A1 * 7/2018 Harrelson B01D 27/08
 2019/0030472 A1 * 1/2019 Soma B01D 29/21
 2020/0179843 A1 6/2020 Amaral et al.

2020/0179845 A1 * 6/2020 Linhart B01D 35/153
 2021/0252434 A1 * 8/2021 Chen F02M 37/54
 2022/0018271 A1 * 1/2022 Sander F16N 39/06

FOREIGN PATENT DOCUMENTS

DE 19707132 A1 8/1998
 DE 19904981 A1 8/2000
 DE 19951085 A1 4/2001
 DE 10308427 A1 9/2004
 DE 102005000658 A1 7/2006
 DE 102005015194 A1 10/2006
 DE 202006006084 U1 8/2007
 DE 202006017305 U1 3/2008
 DE 102007048550 A1 4/2008
 DE 102007009352 A1 8/2008
 DE 202007001227 U1 8/2008
 DE 102008011616 A1 9/2008
 DE 102009024699 A1 12/2010
 DE 102012000876 C5 10/2014
 DE 102016124587 A1 6/2018
 DE 10201822159 6/2020
 DE 102018221257 A1 6/2020
 DE 102018221260 A1 6/2020
 DE 102018221261 A1 6/2020
 EP 0260069 A2 3/1988
 EP 0385113 A2 9/1990
 EP 0405447 A2 1/1991
 EP 1233173 A2 8/2002
 EP 1695753 A1 8/2006
 JP H7217577 A 8/1995
 WO 0110533 A1 2/2001
 WO 2005123216 A1 12/2005
 WO 2006105755 A1 10/2006
 WO 2009080455 A1 7/2009
 WO 2017108835 6/2017
 WO 2018050232 3/2018
 WO 2018050233 3/2018
 WO 2018050236 3/2018
 WO 2018050237 3/2018
 WO 2018050238 3/2018

OTHER PUBLICATIONS

Mann-Filter Oil Filter HU7020z, Dec. 16, 2014, Amazon, site visited Feb. 24, 2022: <https://www.amazon.co.uk/dp/B00NQYXXCE> (Year: 2014).
 International Search Report dated Dec. 6, 2010 for PCT/EP2010/062585.
 European Search Report dated Jun. 14, 2013 for EP10751600.7.

* cited by examiner

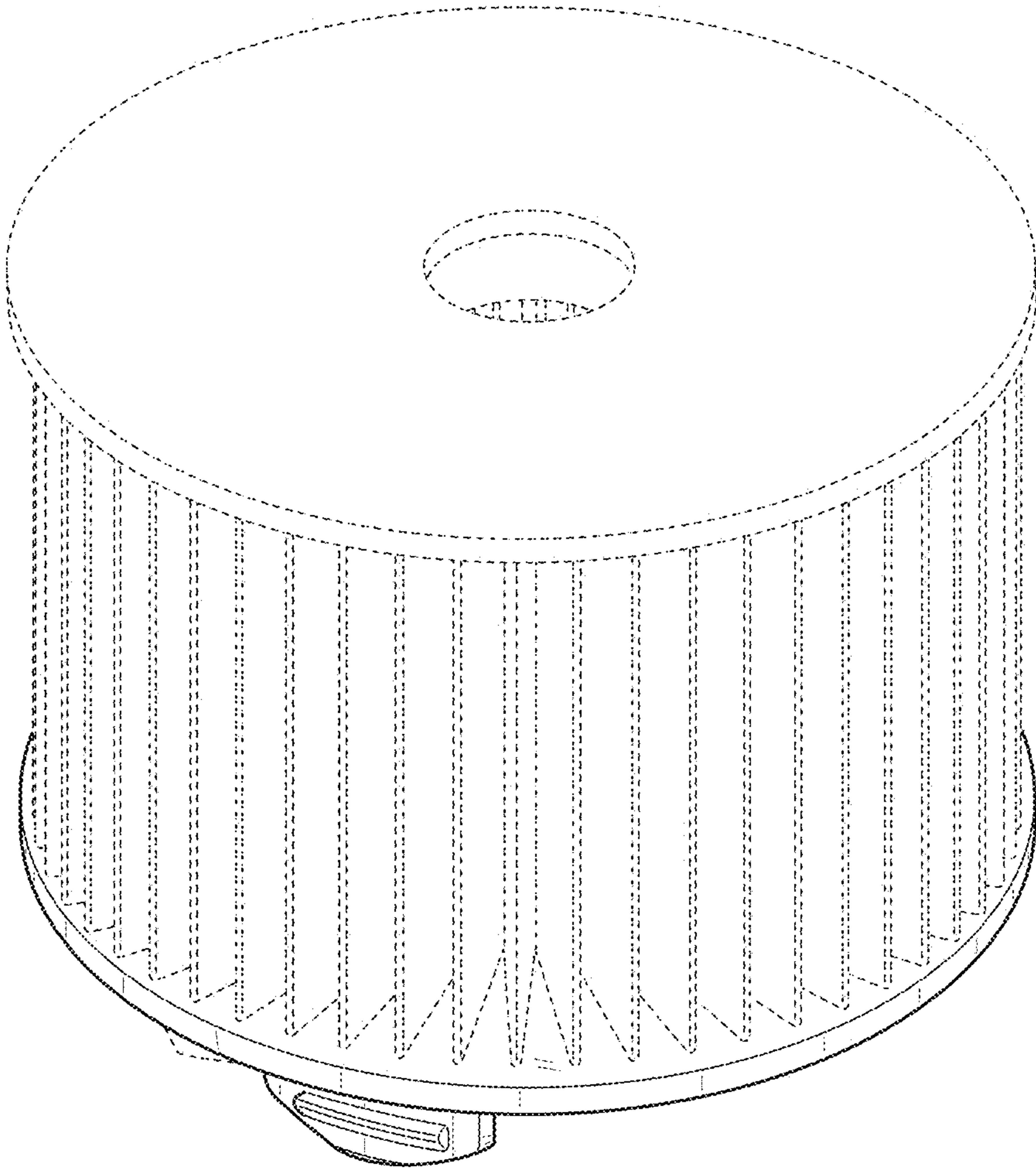


FIG. 1

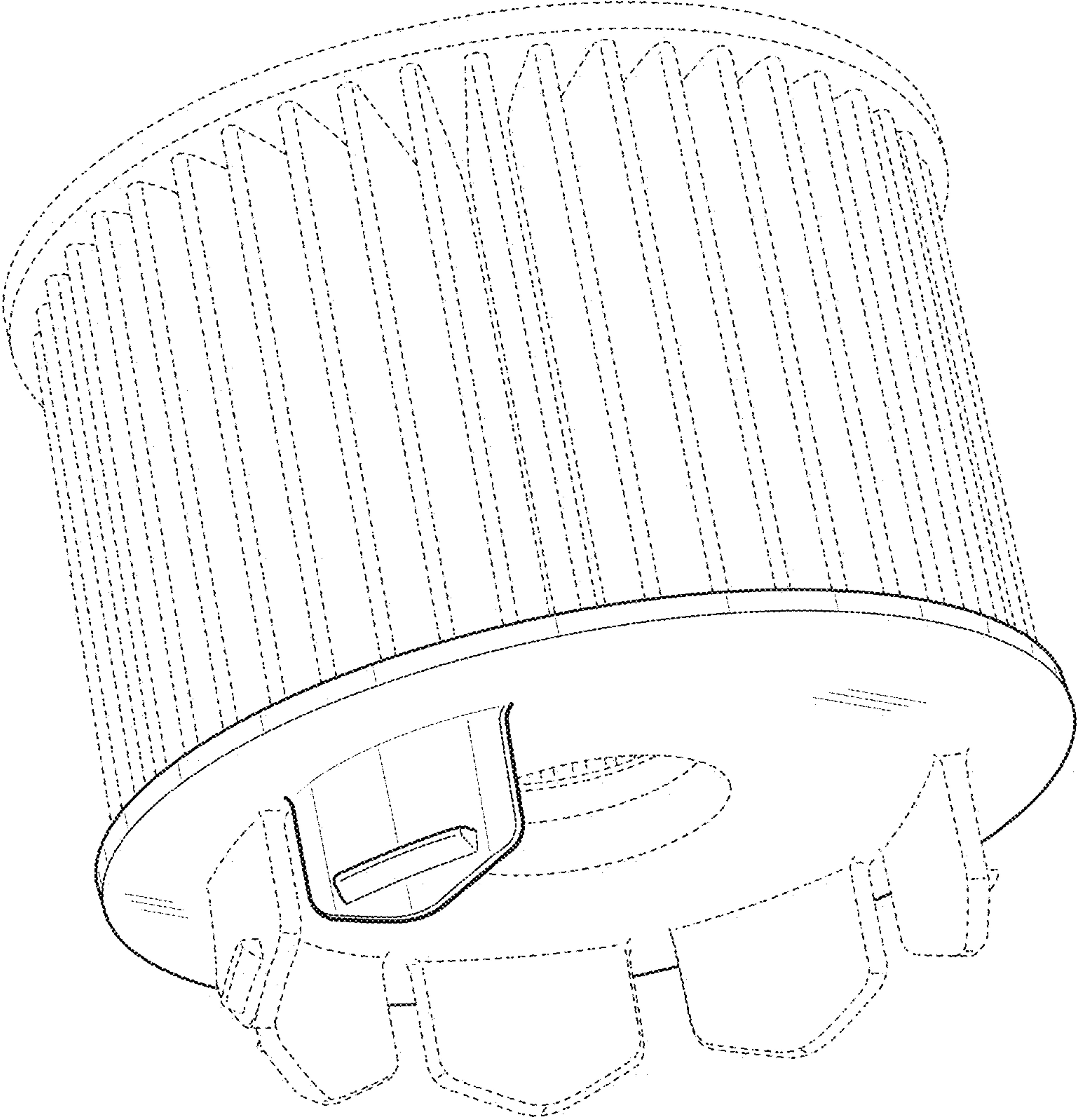


FIG. 2

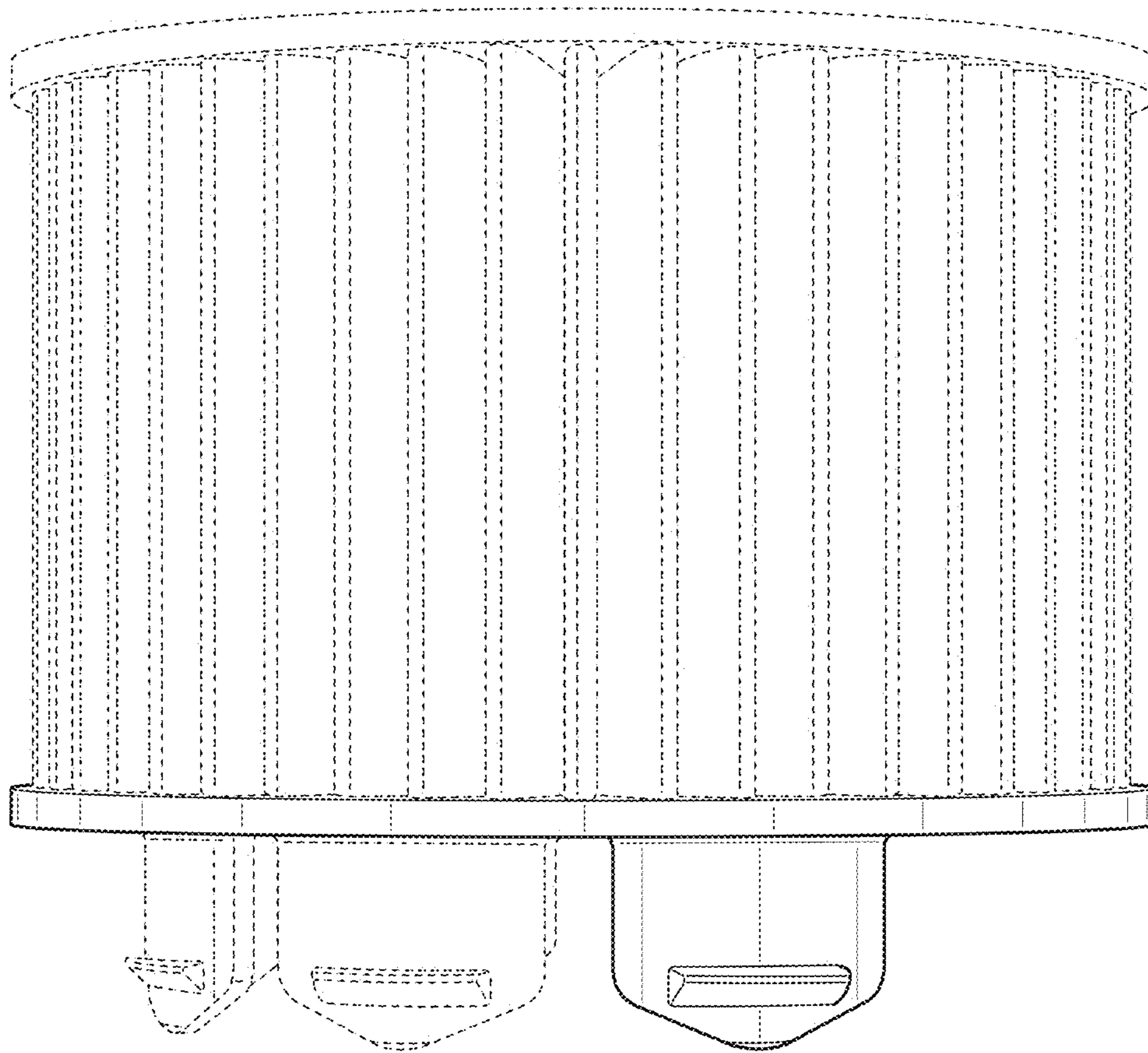


FIG. 3

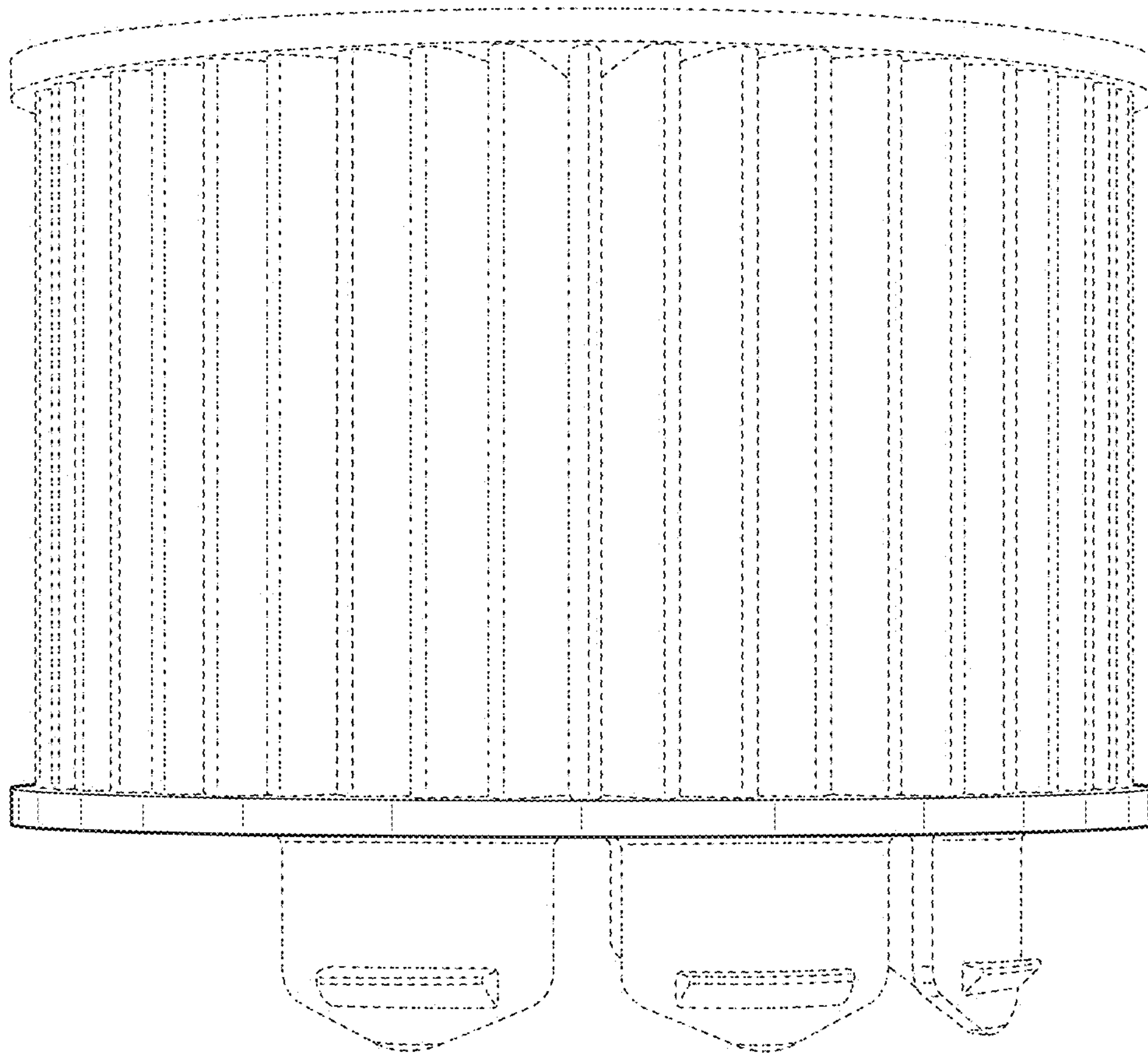


FIG. 4

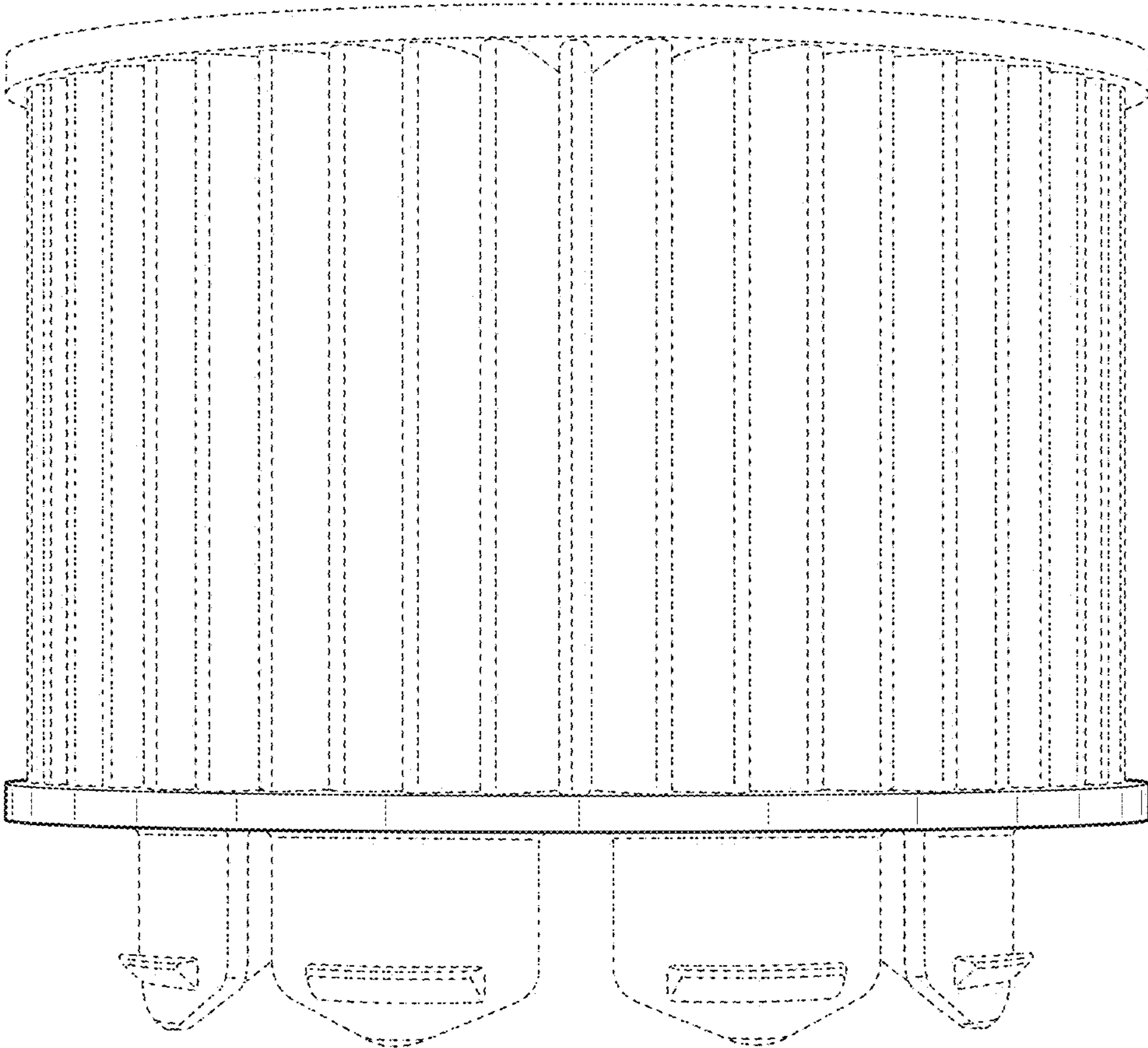


FIG. 5

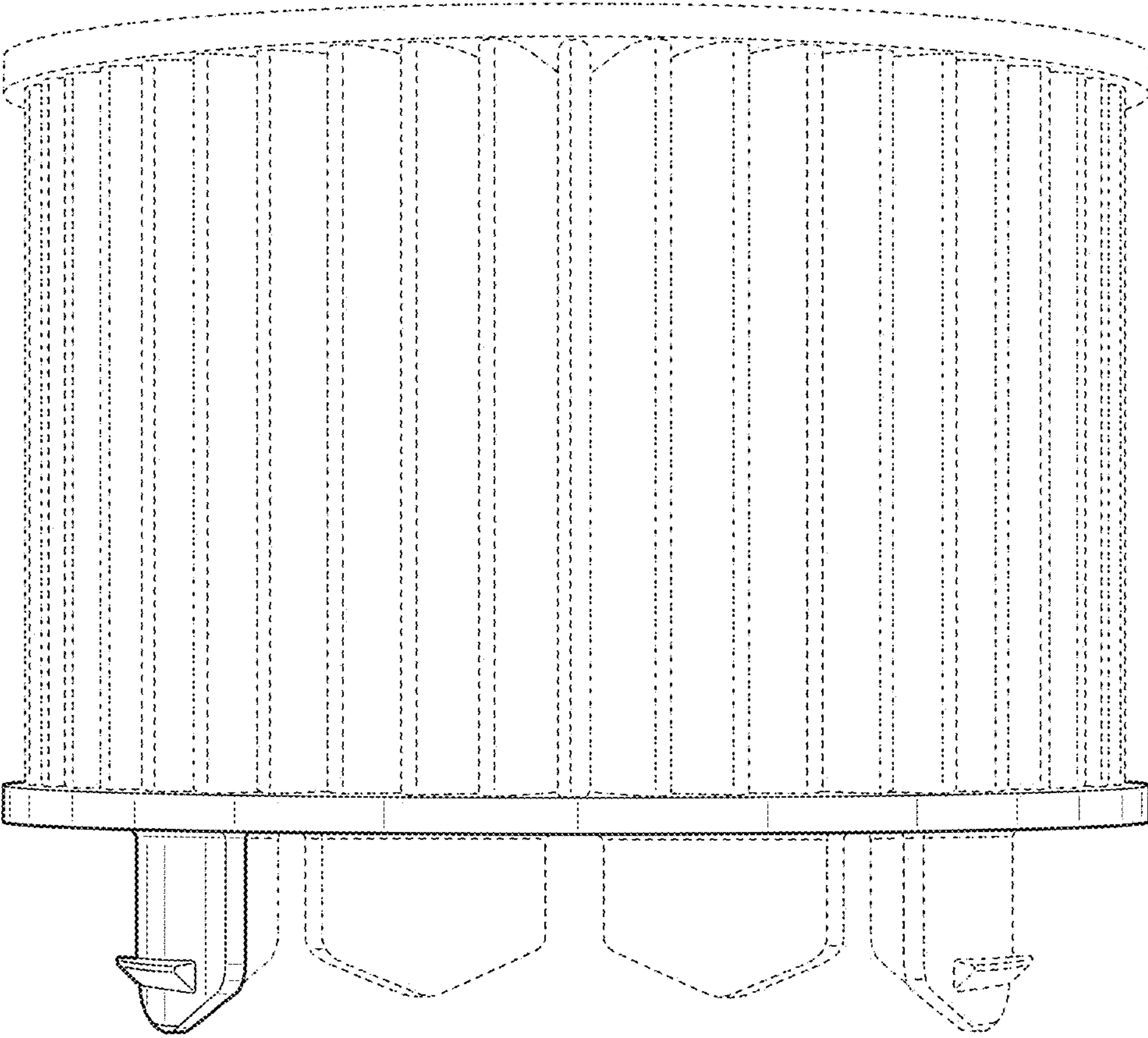


FIG. 6

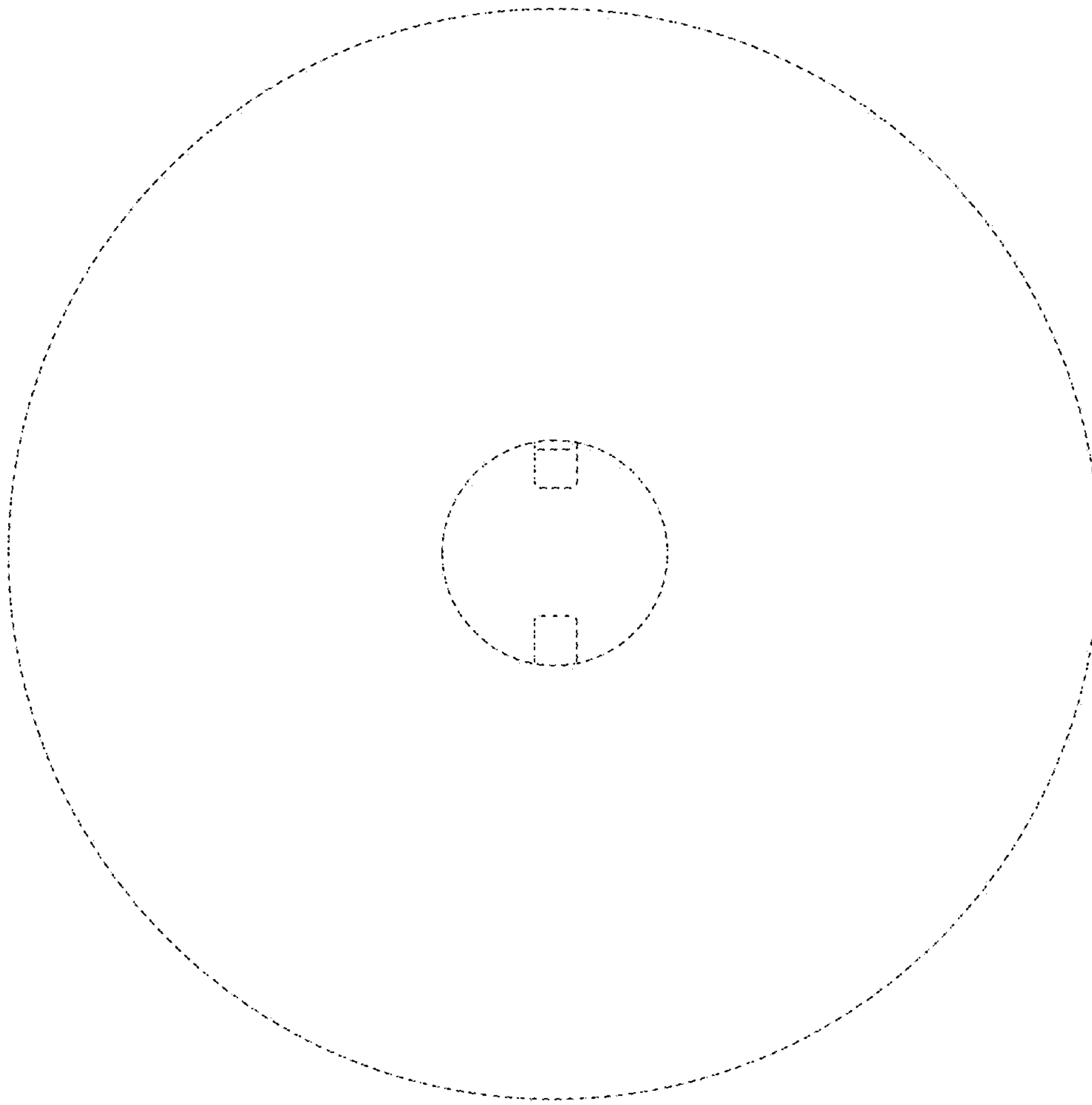


FIG. 7

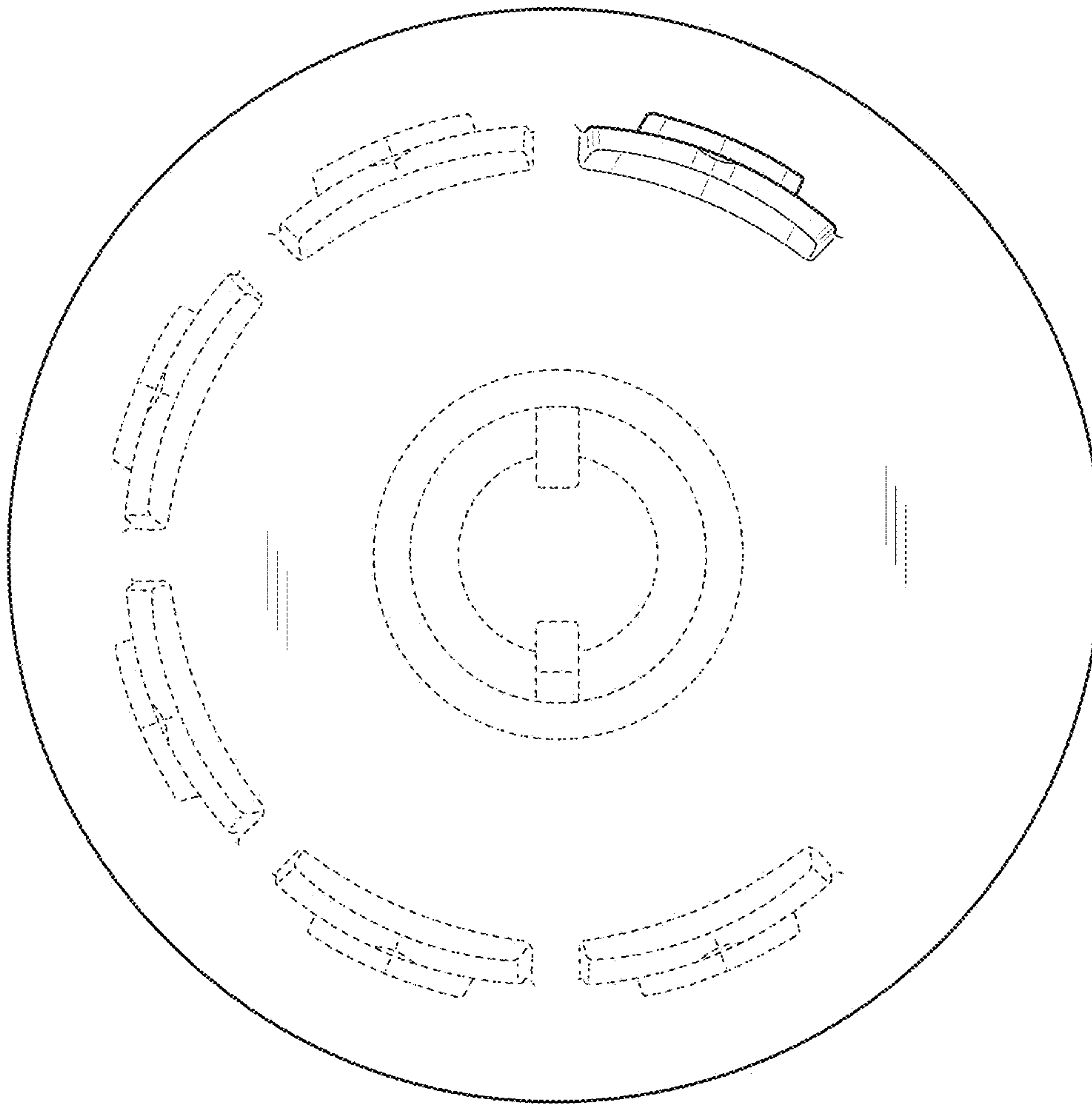


FIG. 8